



US00D394303S

# United States Patent [19]

Pucci

[11] Patent Number: Des. 394,303

[45] Date of Patent: \*\*May 12, 1998

[54] WATER IONIZER

[75] Inventor: Joseph Pucci, Hinckley, Ohio

[73] Assignee: Hercules Products, Brunswick, Ohio

[\*\*] Term: 14 Years

[21] Appl. No.: 67,456

[22] Filed: Mar. 7, 1997

[51] LOC (6) Cl. .... 23-01

[52] U.S. Cl. .... D23/207

[58] Field of Search ..... D23/200, 207,  
D23/209, 210; 210/169, 416.2, 282, 266,  
739

4,734,176 3/1988 Zemba, Jr. et al. .  
 4,752,401 6/1988 Bodenstein .  
 4,936,979 6/1990 Brown .  
 4,986,906 1/1991 Dadisman .  
 5,217,607 6/1993 Dalton, III et al. .  
 5,221,444 6/1993 Silveri .  
 5,543,040 8/1996 Fite, Jr. et al. .  
 5,584,992 12/1996 Sugimoto .

Primary Examiner—Alan P. Douglas  
 Assistant Examiner—Robin V. Taylor  
 Attorney, Agent, or Firm—Pearne, Gordon, McCoy &  
 Granger LLP

### [57] CLAIM

The ornamental design for a water ionizer, as shown and described.

### [56] References Cited

#### U.S. PATENT DOCUMENTS

D. 170,472	9/1953	Monsarrat	.....	D23/209
D. 198,117	4/1964	Baker et al.	.....	D23/209
D. 223,449	4/1972	Reiner et al.	.....	D23/209
D. 241,936	10/1976	Rosaen	.....	D23/209
D. 275,513	9/1984	Johnson	.....	D23/209
D. 311,570	10/1990	Woodruff	.....	D23/209
4,322,297	3/1982	Bajka	.	
4,337,136	6/1982	Dahlgren	.	
4,525,253	6/1985	Hayes et al.	.	
4,713,170	12/1987	Saibic	.	

### DESCRIPTION

FIG. 1 is a perspective view showing the top, rear and left side of the water ionizer according to my new design;  
 FIG. 2 is a front elevational view;  
 FIG. 3 is a right side elevational view;  
 FIG. 4 is a top plan view;  
 FIG. 5 is a rear elevational view;  
 FIG. 6 is a left side elevational view; and,  
 FIG. 7 is a bottom plan view.

1 Claim, 3 Drawing Sheets

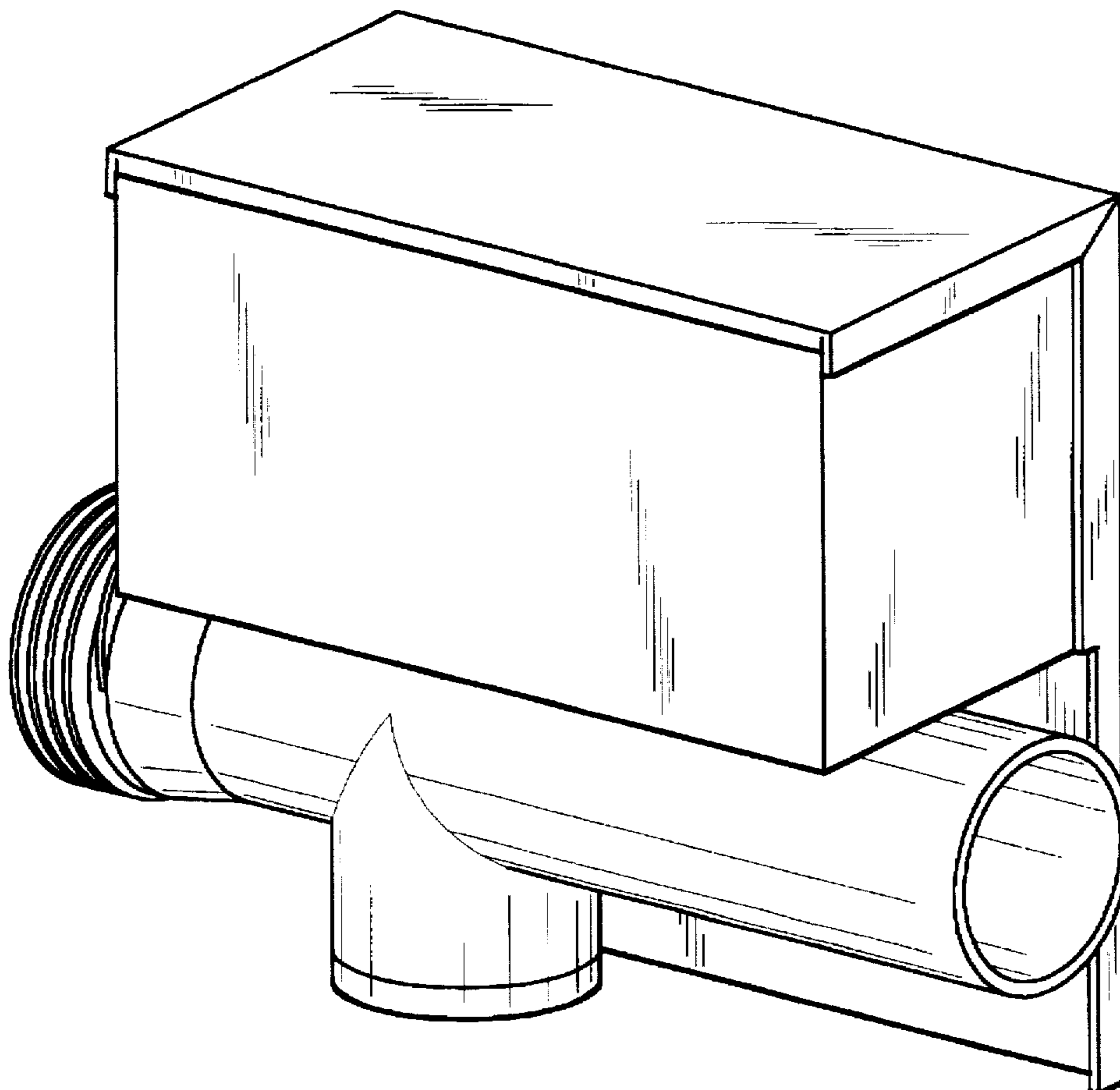
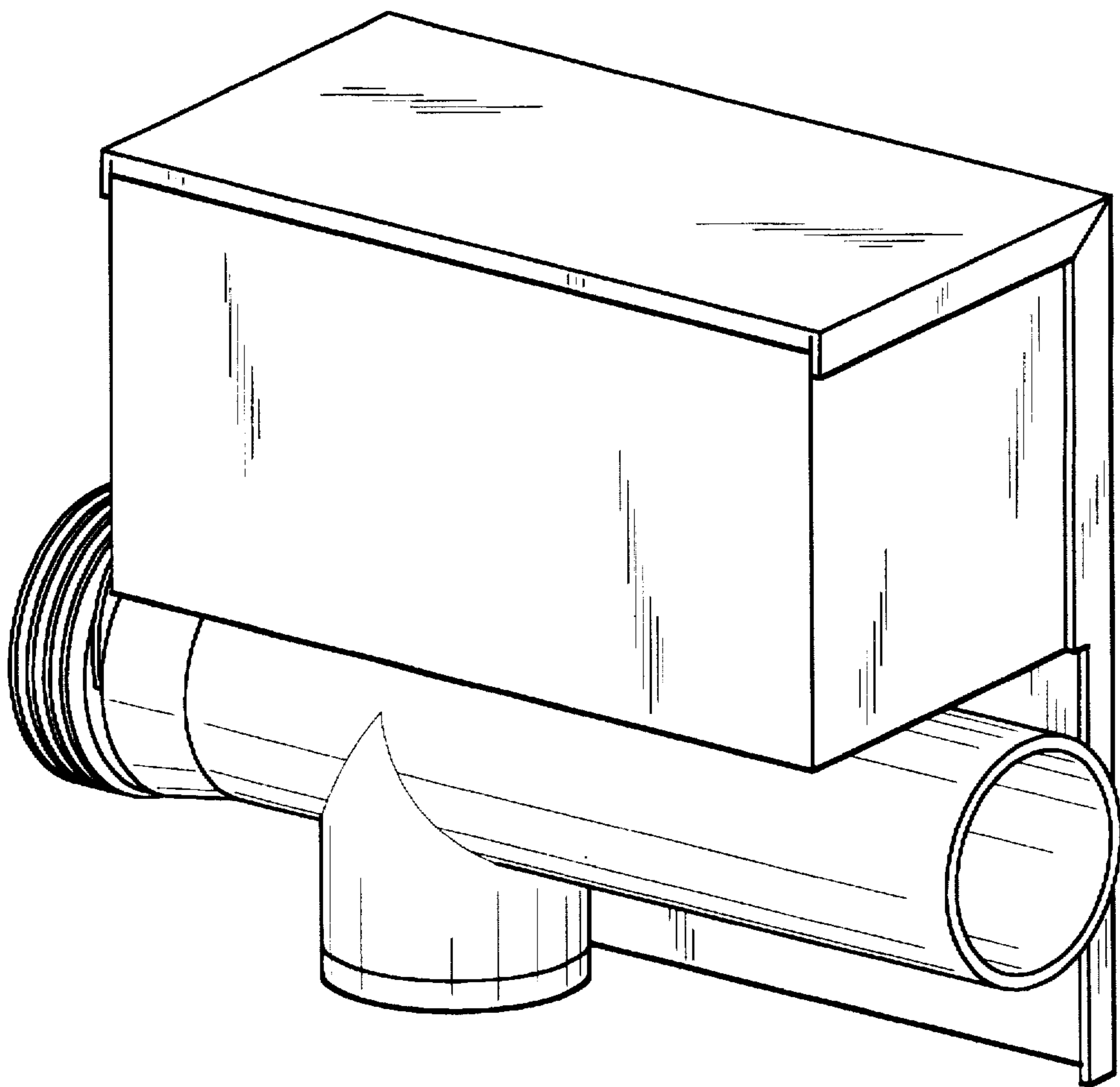


Fig. 1



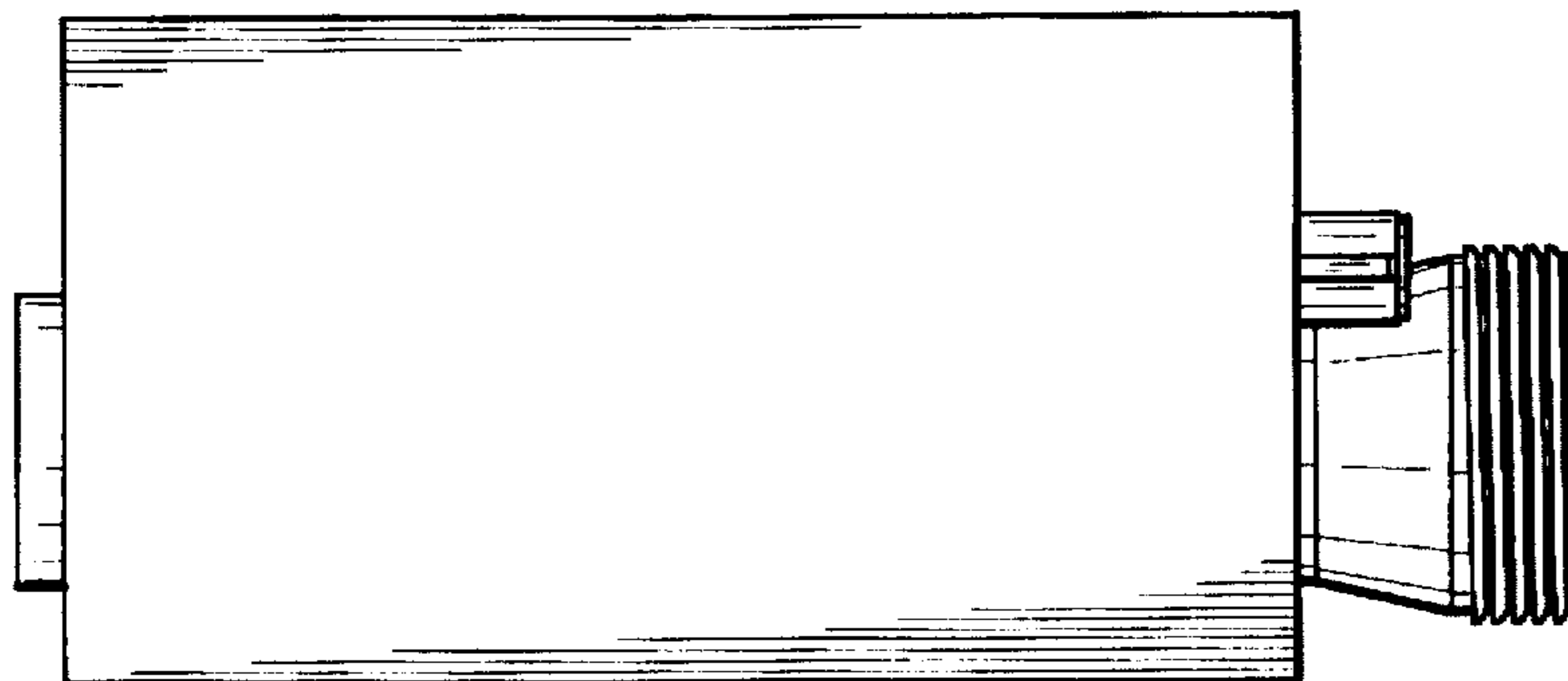


Fig.4

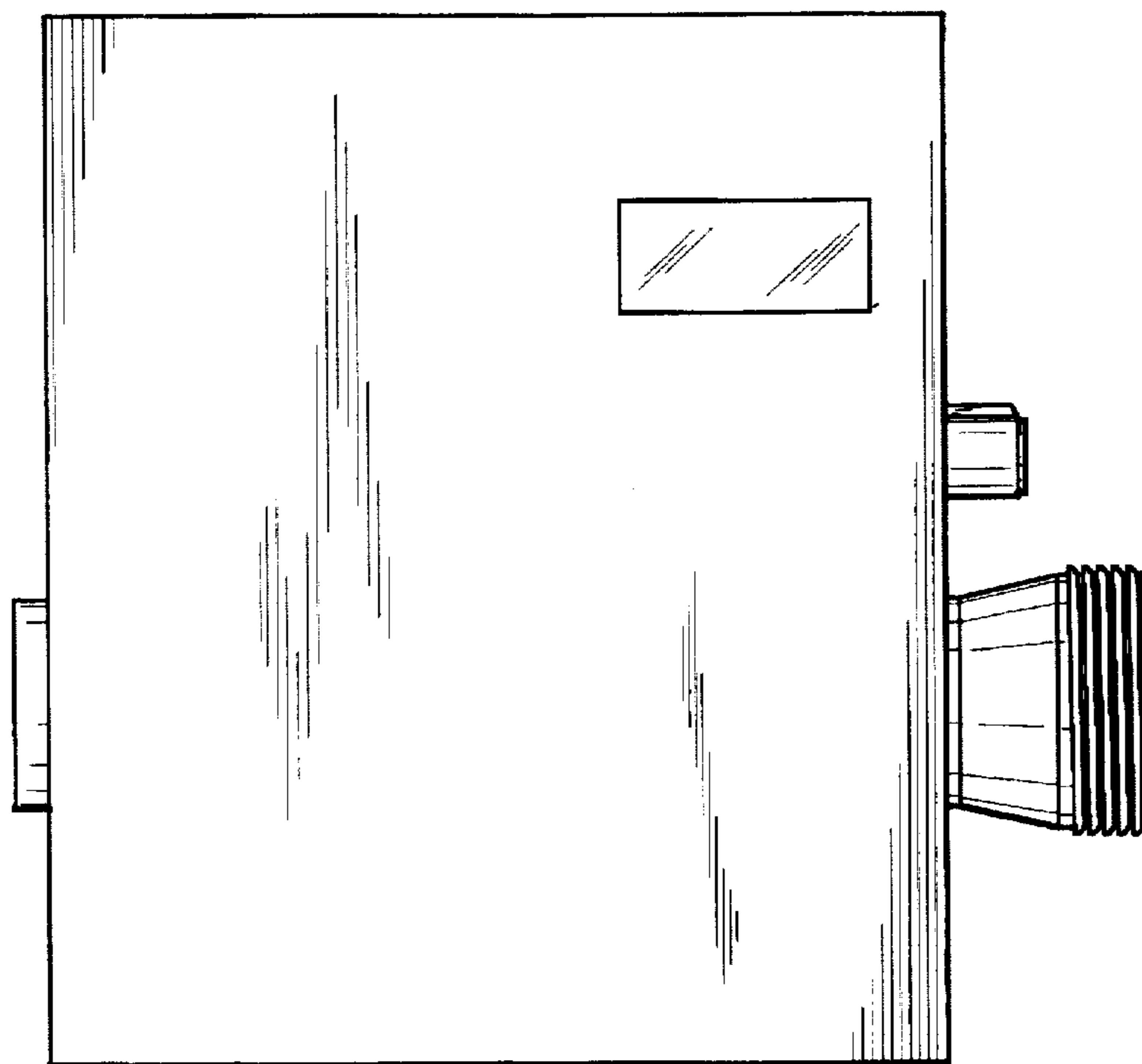


Fig.2

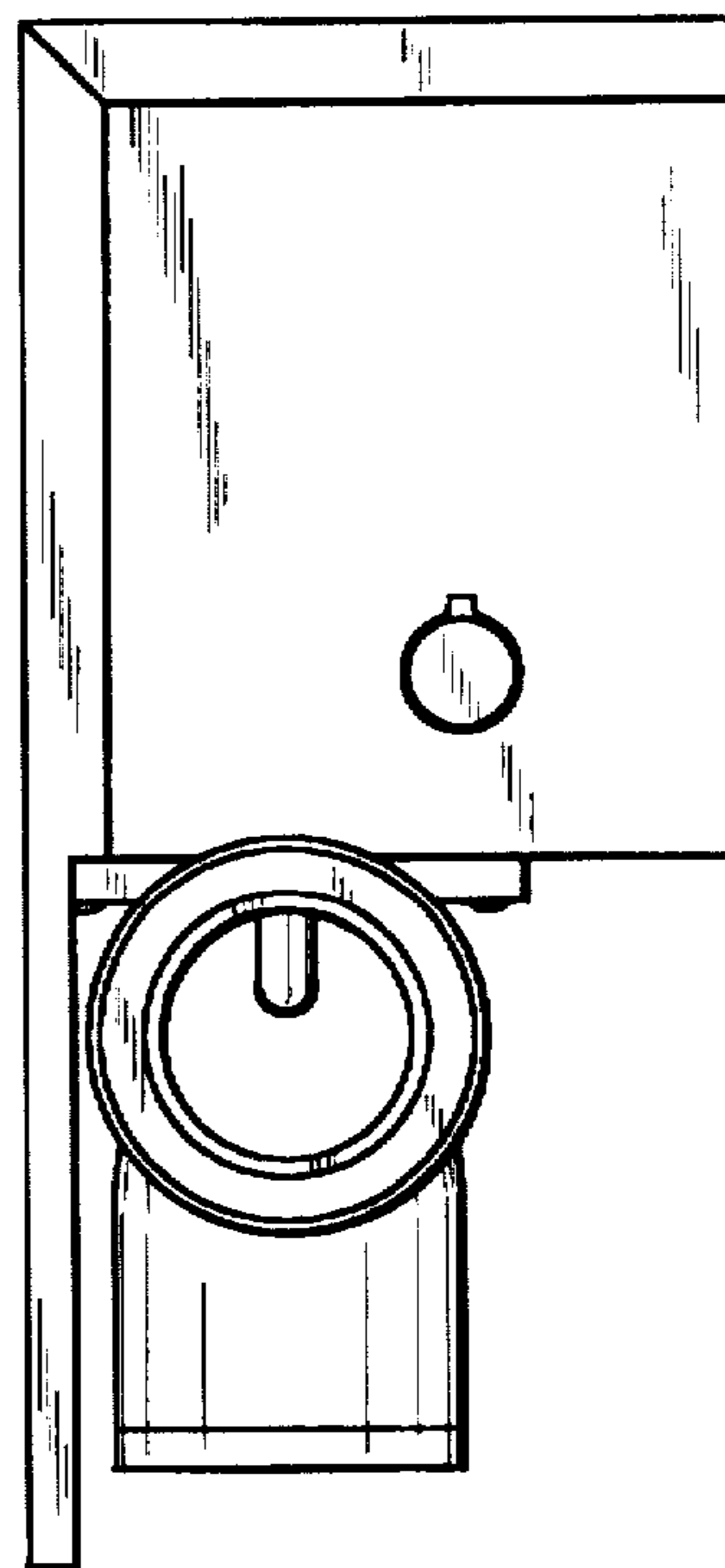


Fig.3

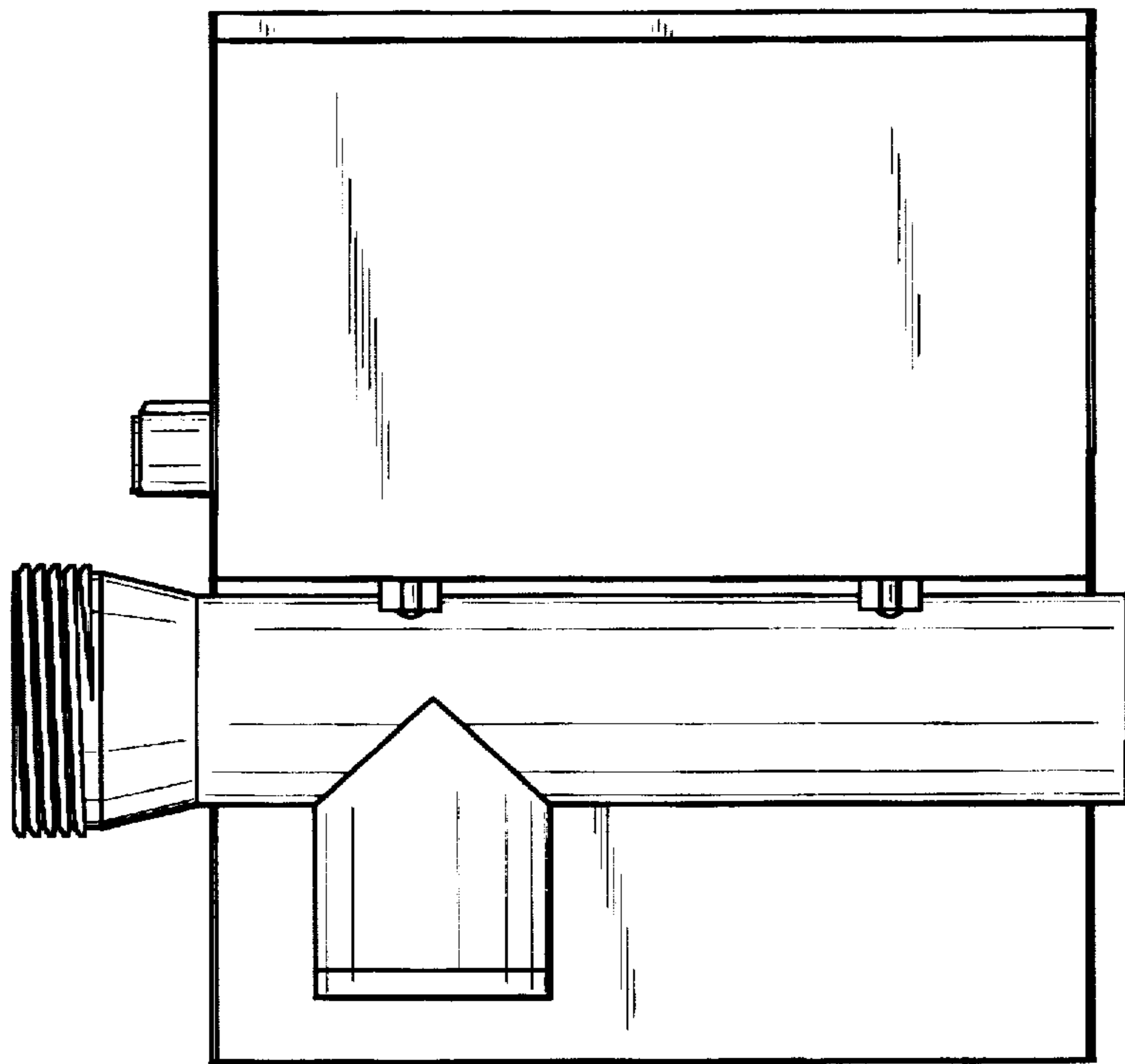


Fig. 5

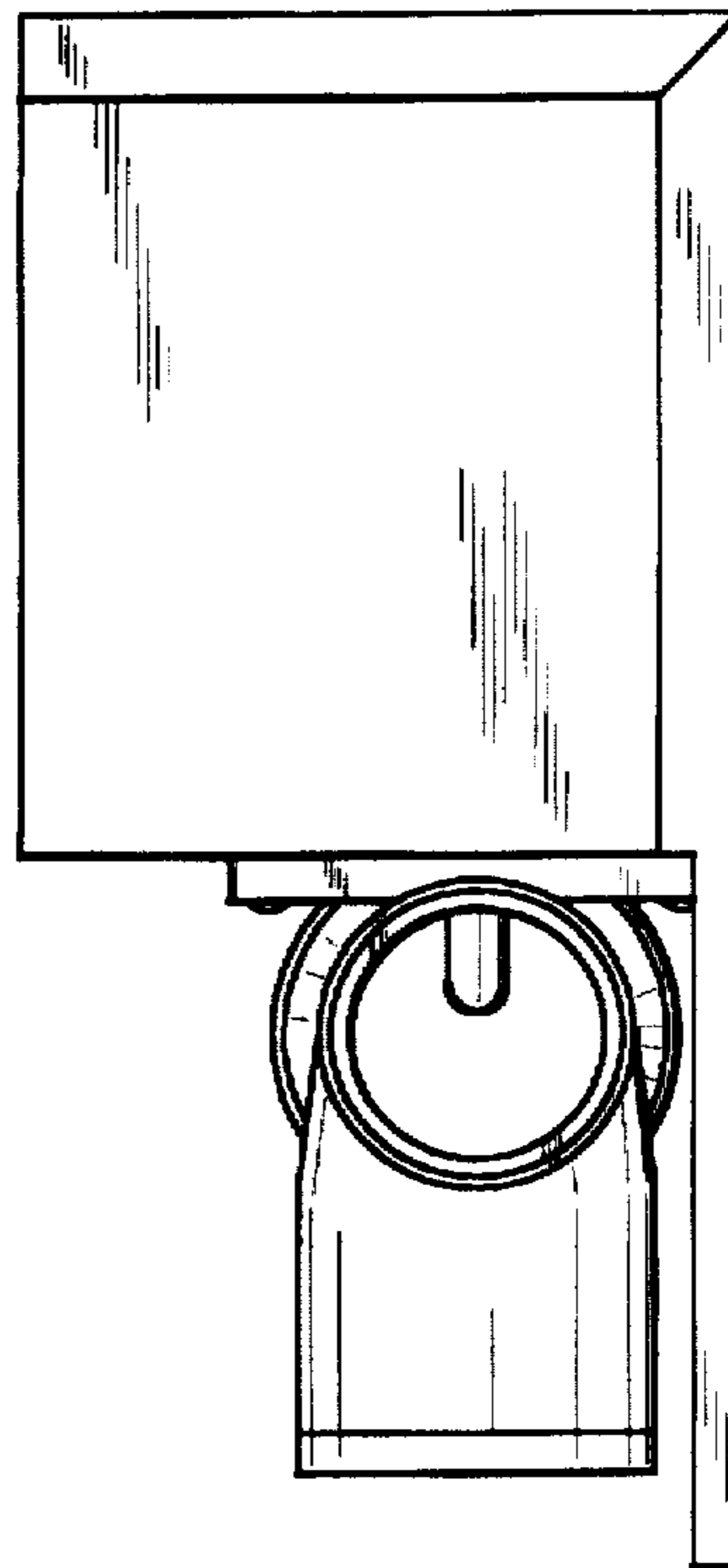


Fig. 6

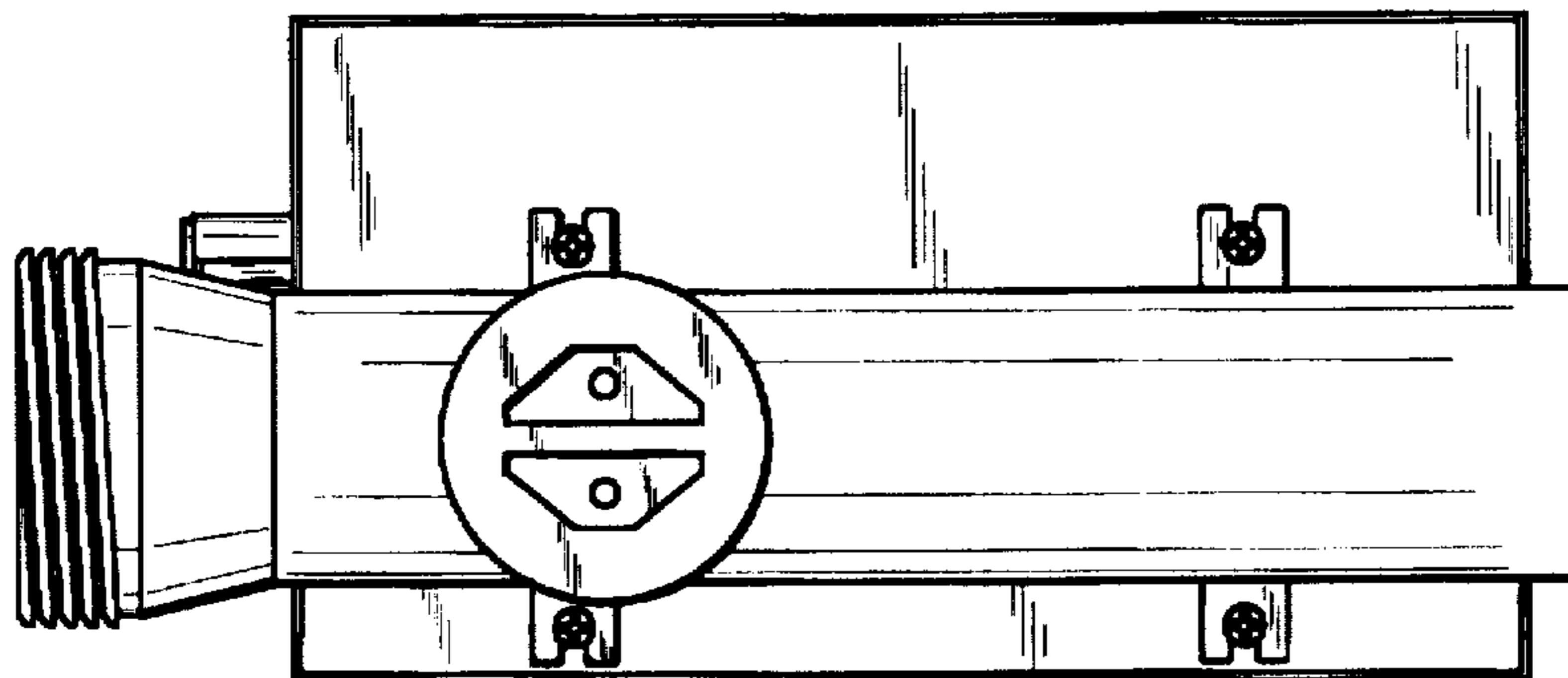


Fig. 7