



US00D394301S

# United States Patent [19]

Fisher

[11] Patent Number: **Des. 394,301**

[45] Date of Patent: **\*\*May 12, 1998**

[54] **TABLE TOP WATER FOUNTAIN WITH PLATFORM FOR DECORATIVE OBJECTS**

D. 348,418 7/1994 White-Wexler et al. .... D11/155  
3,901,439 8/1975 Willis ..... 239/18

[75] Inventor: **Gary R. Fisher**, Los Angeles, Calif.

*Primary Examiner*—Alan P. Douglas  
*Assistant Examiner*—Robin V. Taylor

[73] Assignee: **Armchair World**, Los Angeles, Calif.

[57] **CLAIM**

[\*\*] Term: **14 Years**

The ornamental design for a table top water fountain with platform for decorative objects, as shown and described.

[21] Appl. No.: **73,506**

[22] Filed: **Jul. 15, 1997**

### DESCRIPTION

[51] LOC (6) Cl. .... **23-01**

[52] U.S. Cl. .... **D23/201**

[58] Field of Search ..... D23/200, 201;  
D11/121, 122, 131, 145, 157; 239/16-21

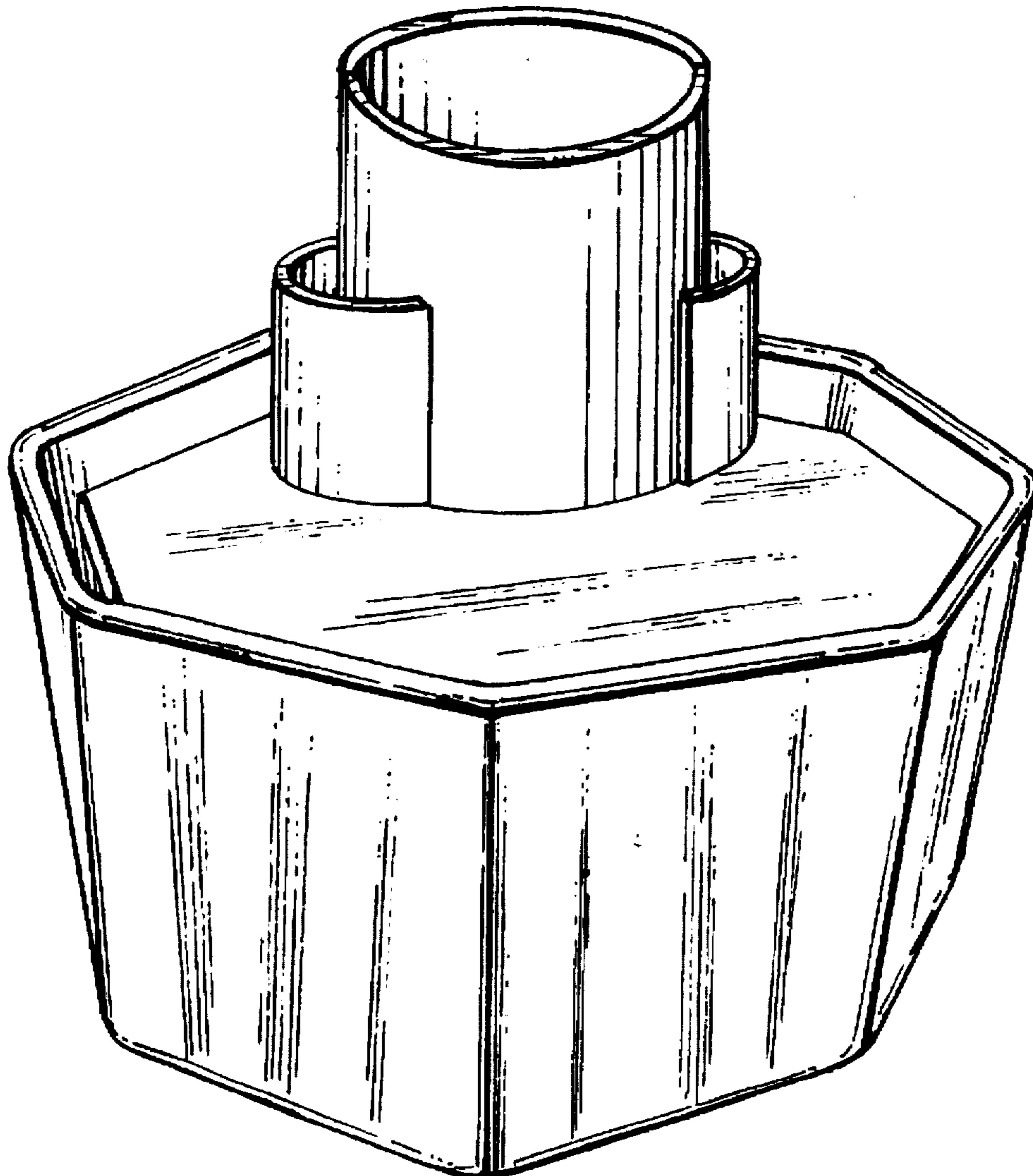
FIG. 1 is a front perspective view of a water fountain showing my new design;  
FIG. 2 is a rear elevational view thereof;  
FIG. 3 is a top plan view thereof;  
FIG. 4 is a bottom plan view thereof;  
FIG. 5 is a left side elevational view thereof, the right side elevational view being identical; and,  
FIG. 6 is a front elevational view thereof.  
The cord is shown fragmented in FIGS. 3, 4 and 5 to indicate indeterminate length.

### [56] References Cited

#### U.S. PATENT DOCUMENTS

D. 111,894 10/1938 Conner ..... D23/201  
D. 206,214 11/1966 Erbe ..... D23/201  
D. 221,755 9/1971 Johnson ..... D23/201

**1 Claim, 3 Drawing Sheets**



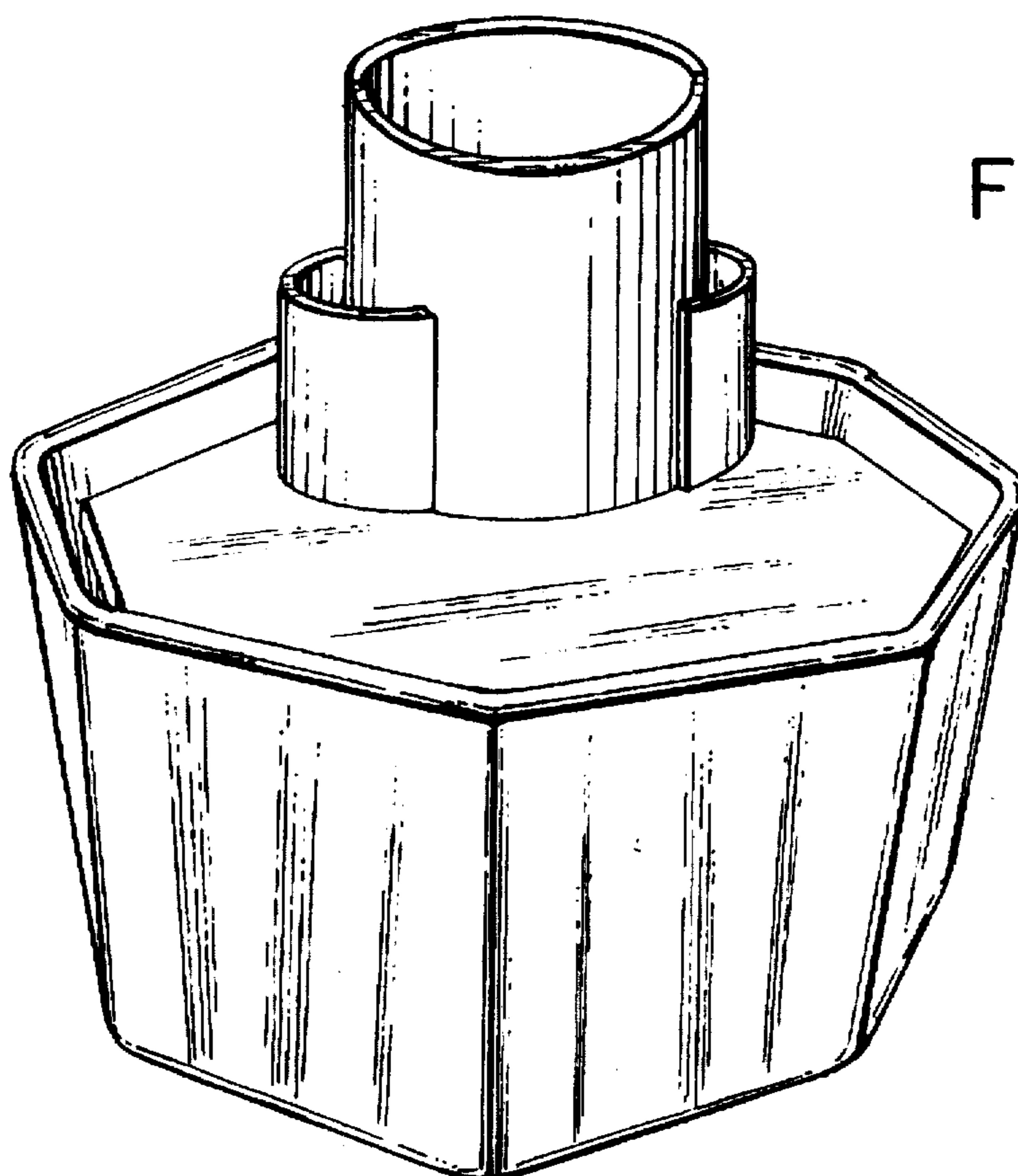


Fig. 1.

Fig. 2.

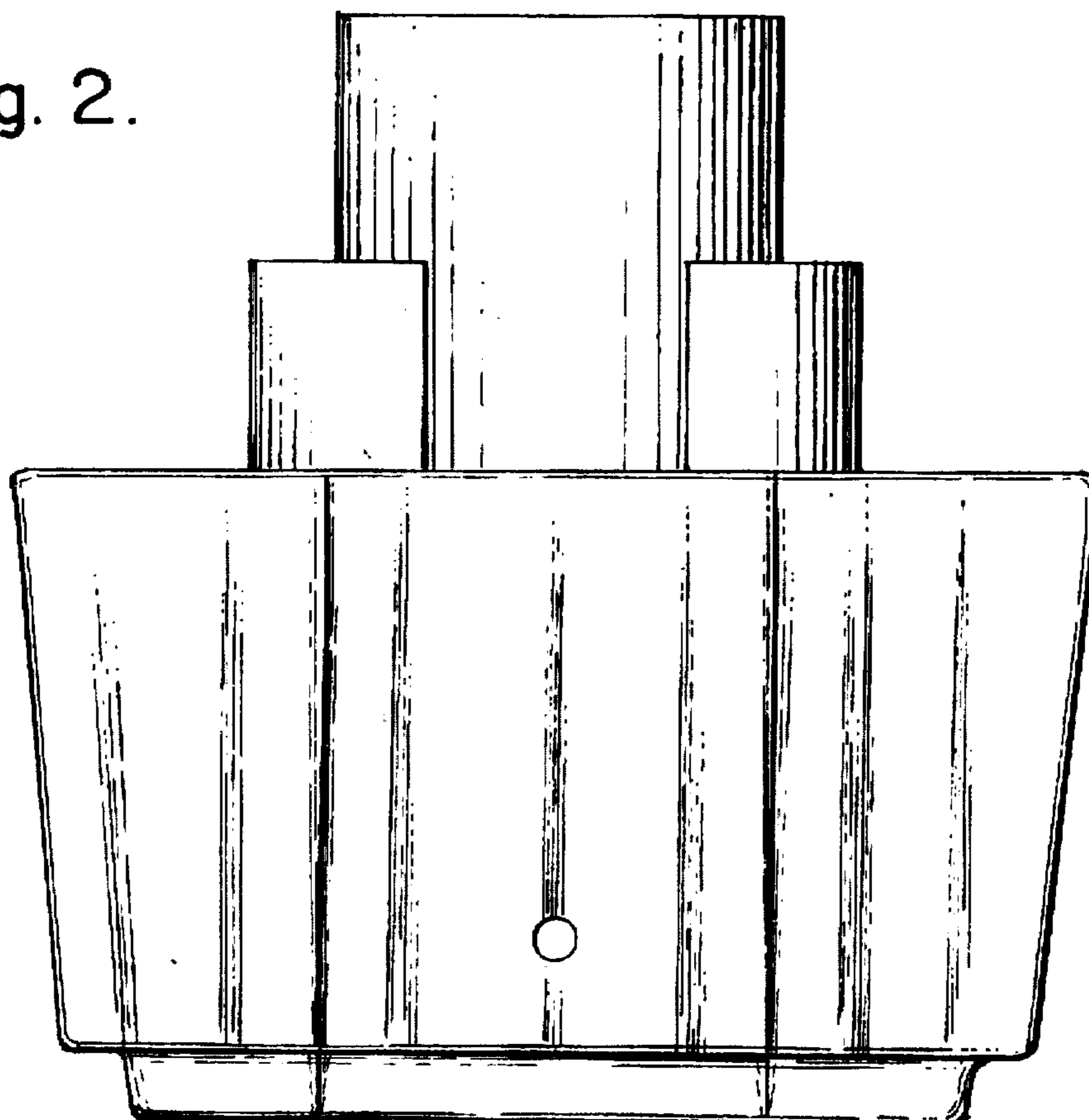


Fig. 3.

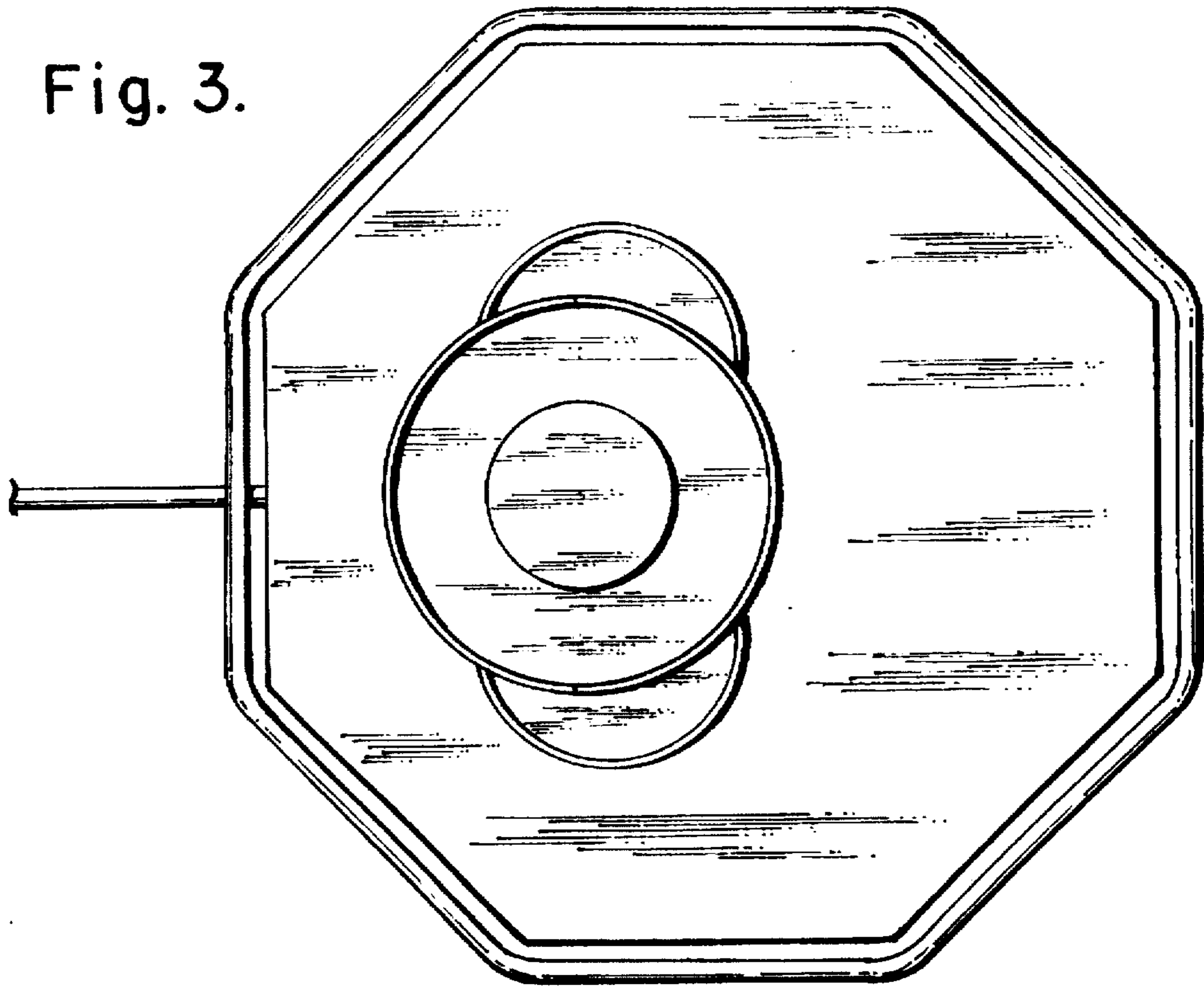


Fig. 4.

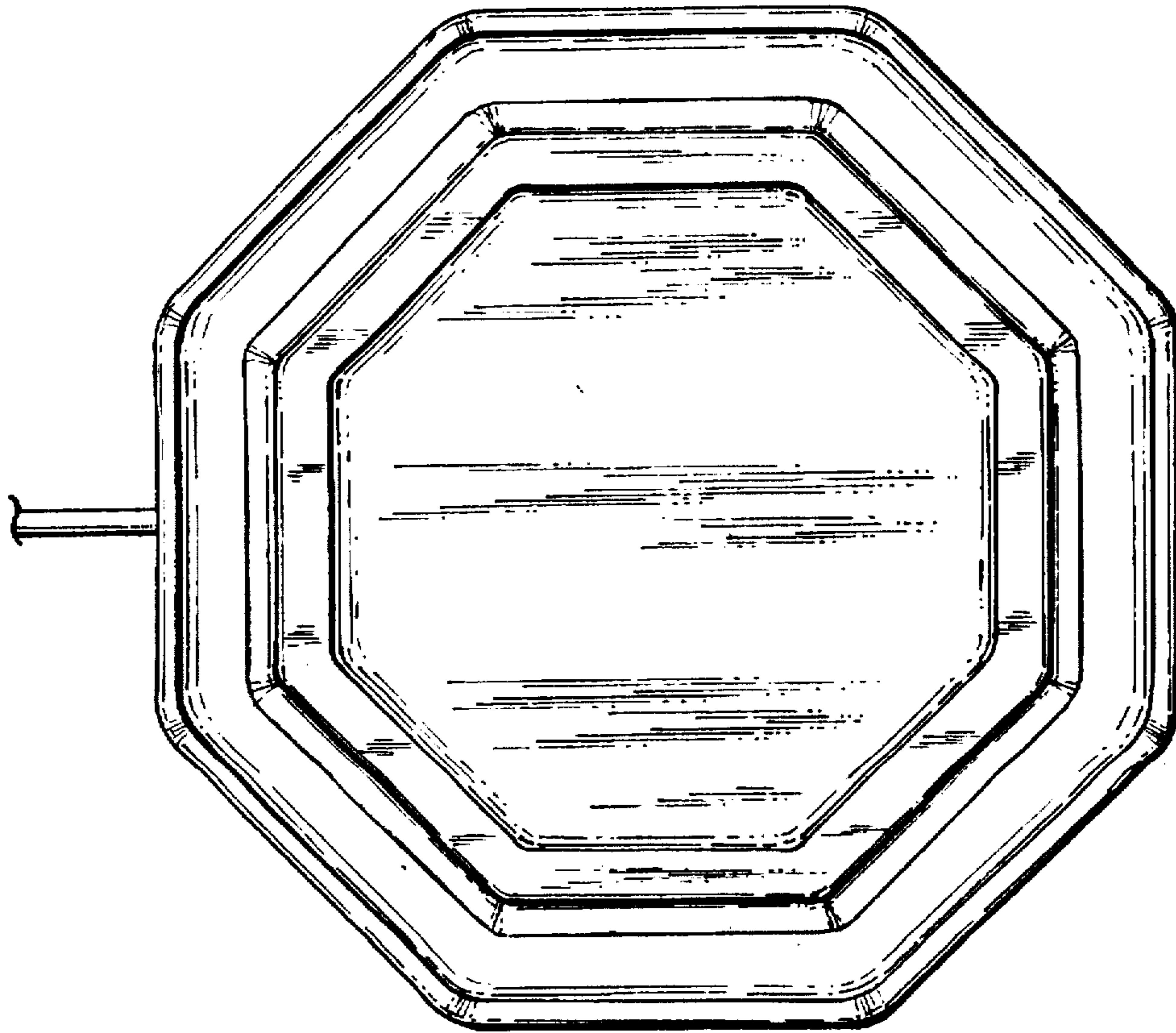




Fig. 5.

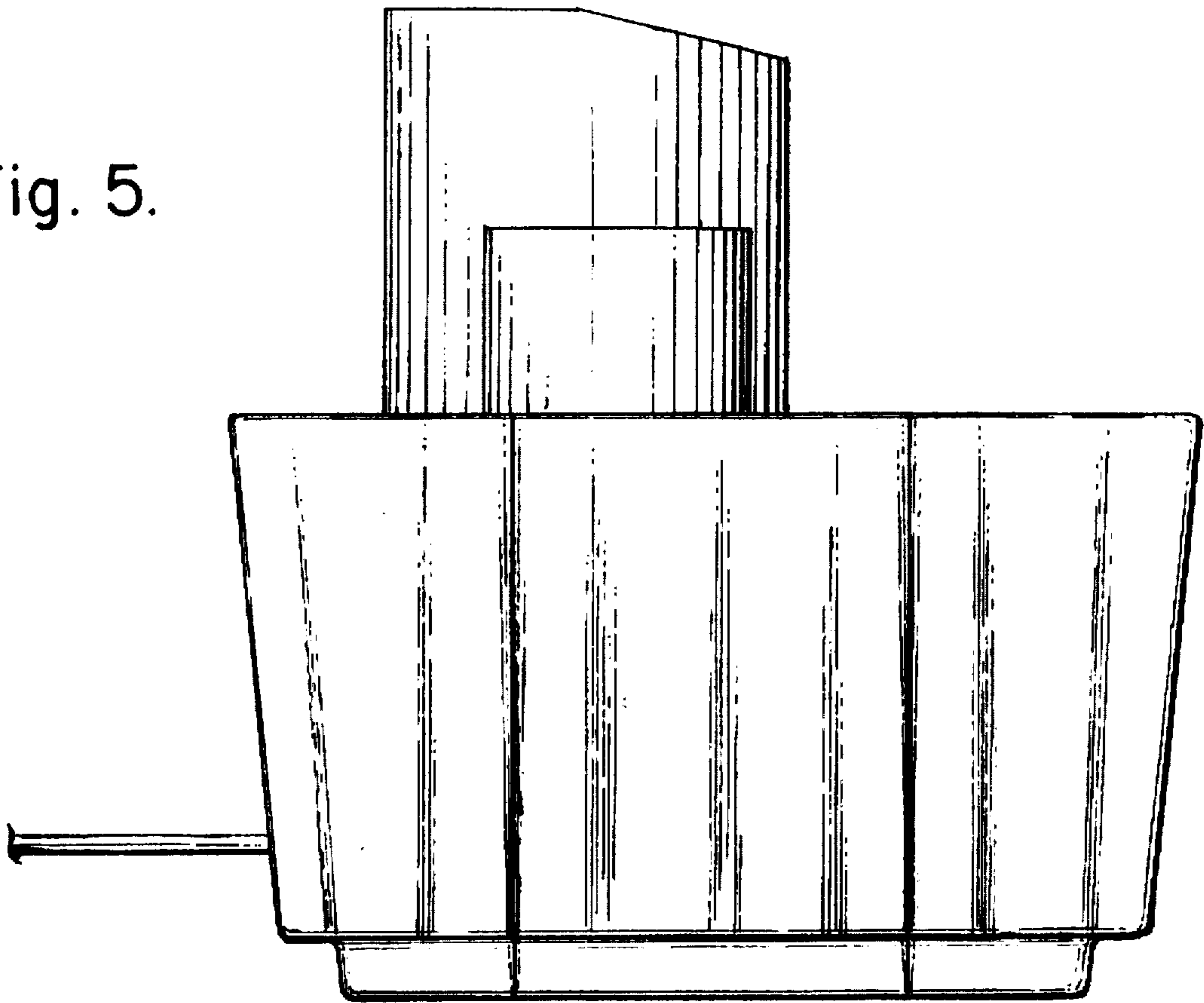


Fig. 6.

