



US00D394300S

United States Patent [19]

Samuels et al.

[11] Patent Number: **Des. 394,300**

[45] Date of Patent: ****May 12, 1998**

[54] **COMBINATION FISHING ROD HOLDER, UTILITARIAN HOOK AND BEVERAGE HOLDER HOLDER**

3,156,997	11/1964	Smith	D22/148
4,730,408	3/1988	Miller	43/21.2 X
4,866,873	9/1989	Van Valkenburg	43/21.2
4,938,446	7/1990	Williams	43/21.2 X
5,359,802	11/1994	Gutierrez	43/16

[76] Inventors: **Francis D. Samuels**, 128 N. River Dr.;
Raymond B. Samuels, 137 Dolbow Ave., both of Pennsville, N.J. 08070;
Ralph L. Fisher, 4 Summerill Ave., Penns Grove, N.J. 08069

Primary Examiner—Doris V. Coles

[**] Term: **14 Years**

[57] CLAIM

The ornamental design for a combination fishing rod holder, utilitarian hook and beverage holder, as shown.

[21] Appl. No.: **67,999**

DESCRIPTION

[22] Filed: **Mar. 13, 1997**

FIG. 1 is a front view of combination fishing rod holder, utilitarian hook and beverage holder, showing my new design;

[51] LOC (6) Cl. **22-05**

[52] U.S. Cl. **D22/148; D22/147**

FIG. 2 is a rear view thereof;

[58] Field of Search D22/147, 148;
43/15, 16, 17, 21.2; 248/515, 530, 538,
533

FIG. 3 is a left side view thereof;

FIG. 4 is a right side view thereof;

FIG. 5 is a top plan view thereof; and,

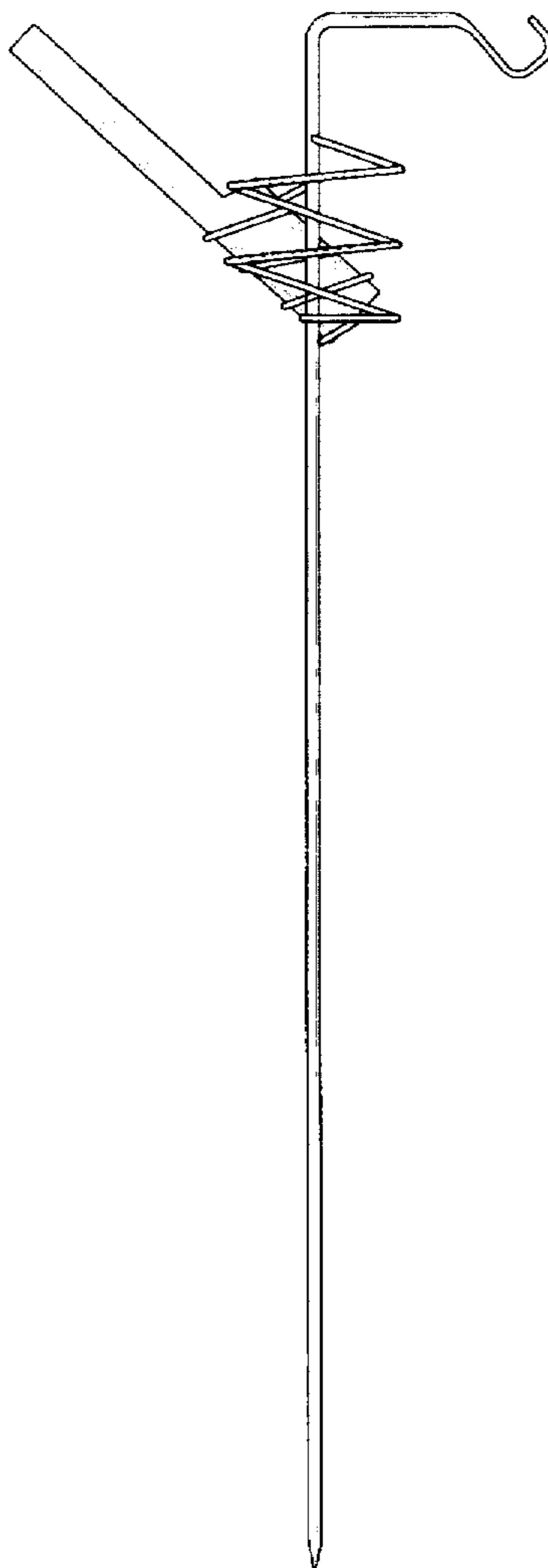
FIG. 6 is a bottom plan view thereof.

[56] References Cited

U.S. PATENT DOCUMENTS

D. 179,525 1/1957 Porter D22/147

1 Claim, 3 Drawing Sheets



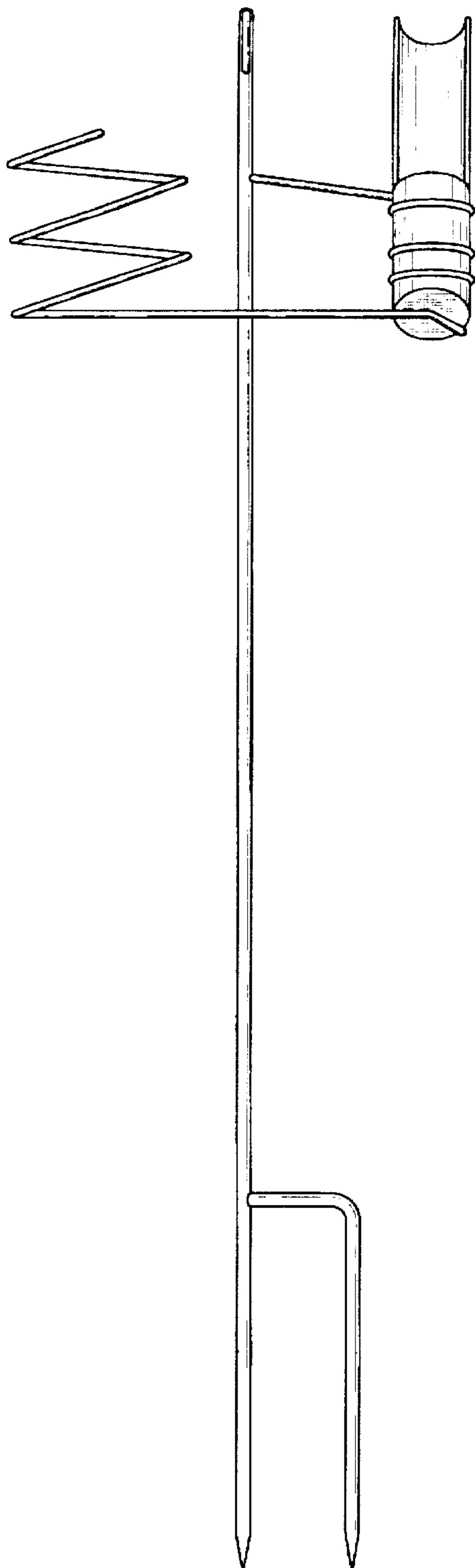


Fig. 1

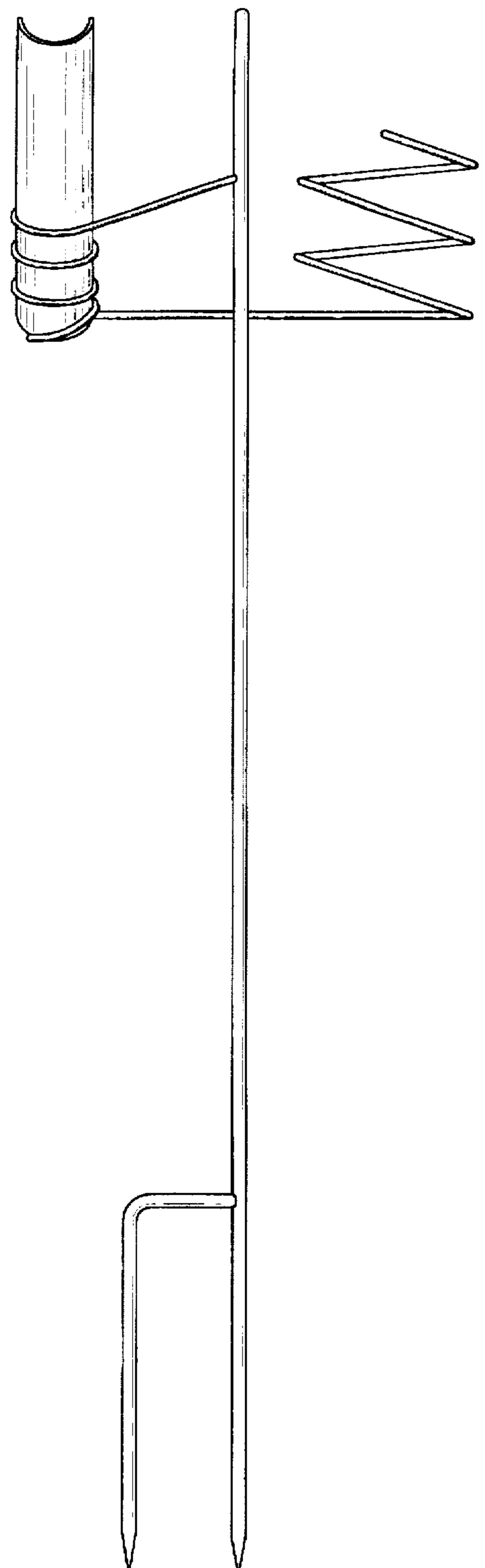


Fig. 2

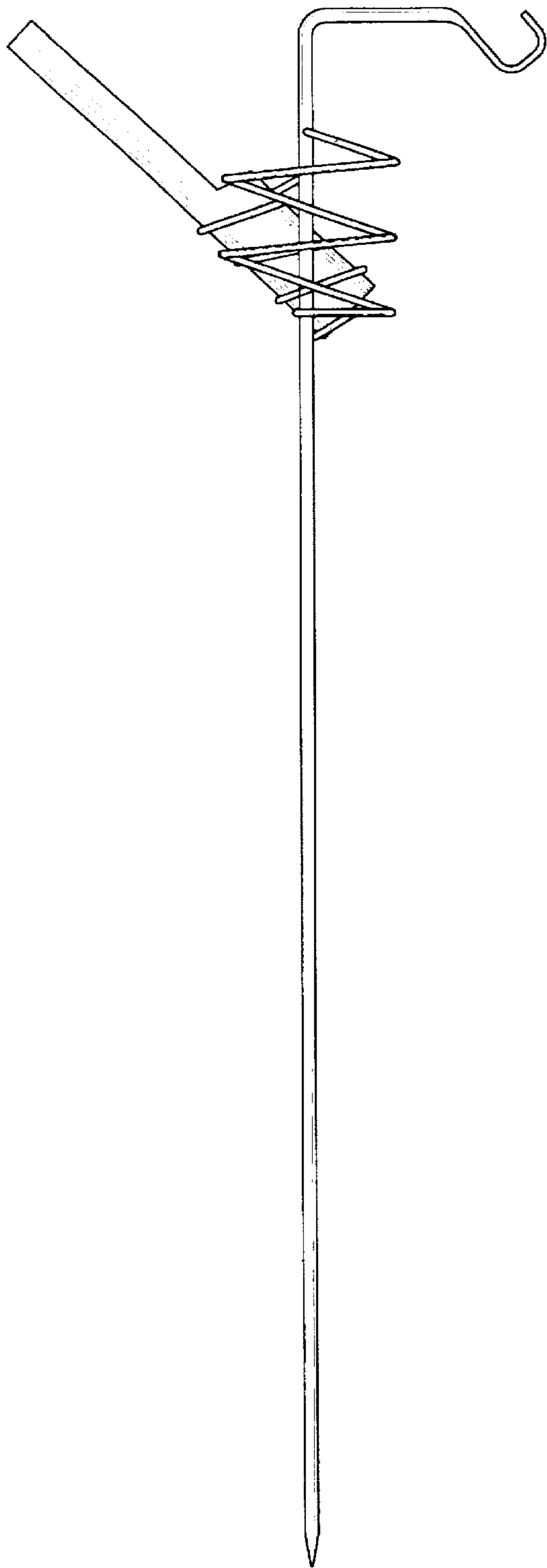


Fig. 3

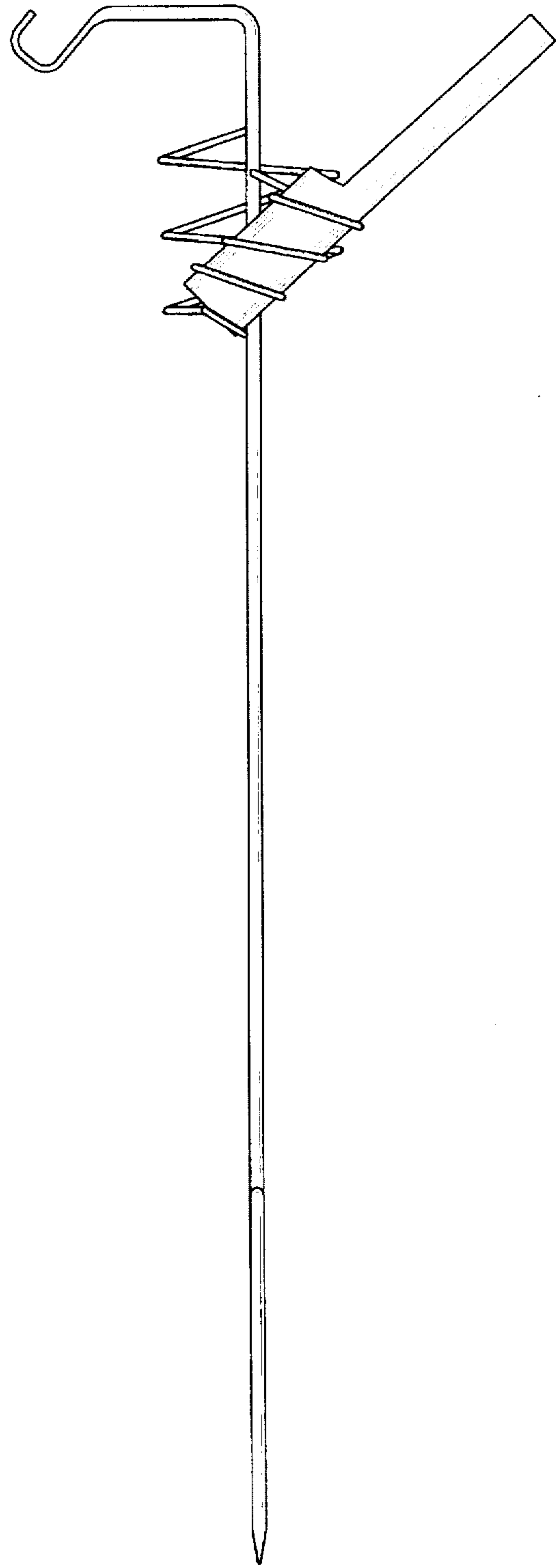


Fig. 4

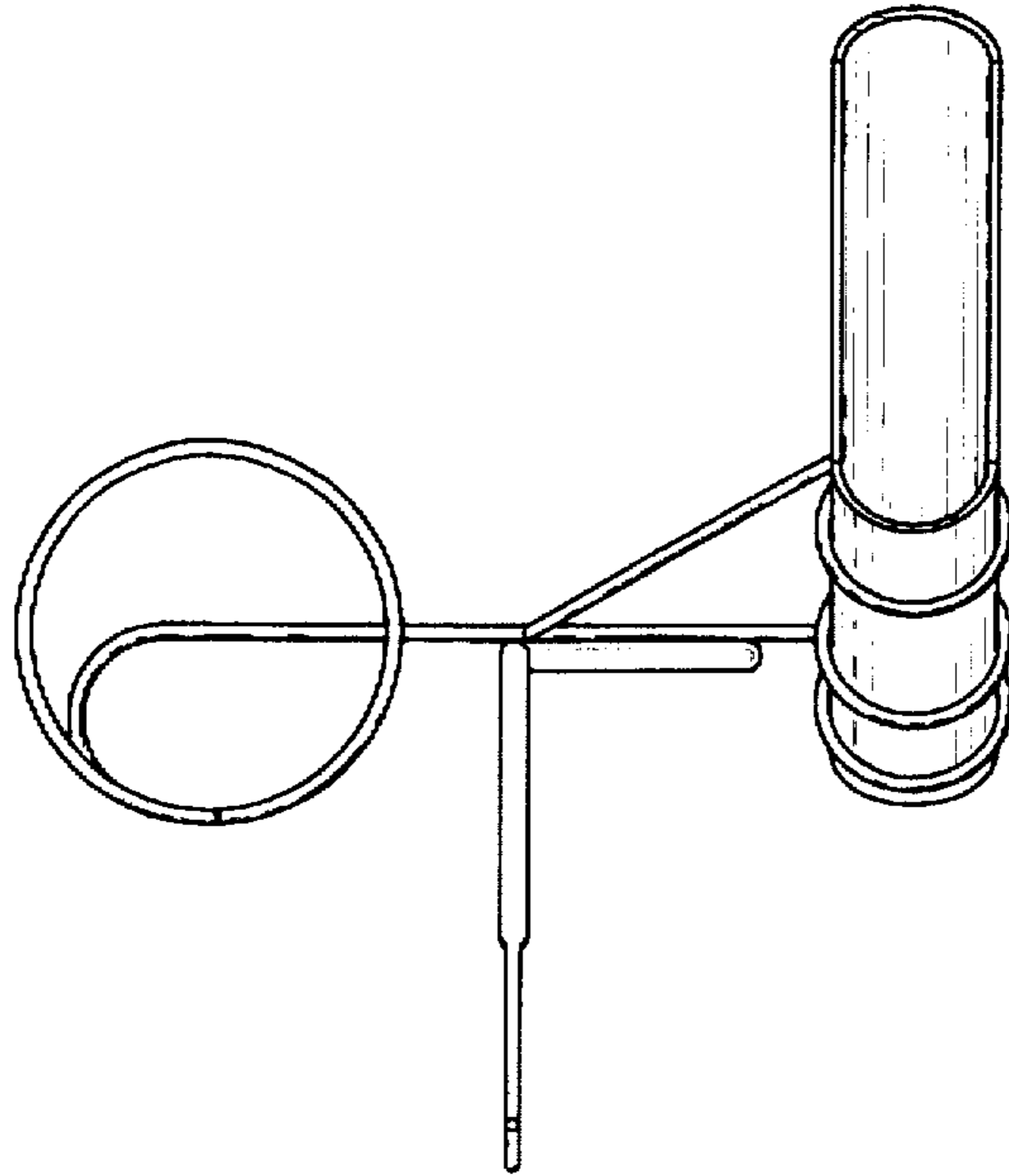


Fig. 5

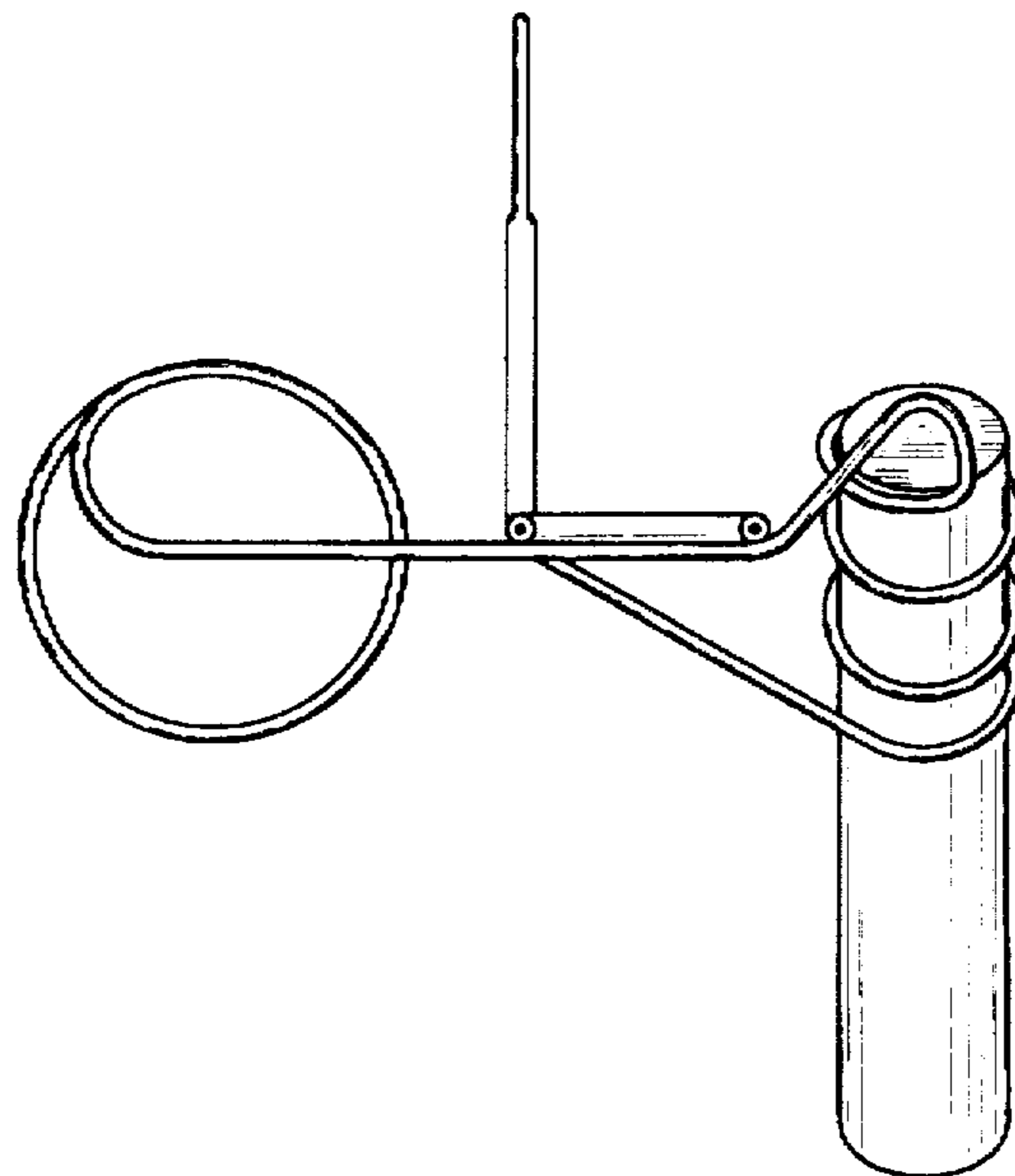


Fig. 6