



US00D394299S

United States Patent [19]

Miyazaki et al.

[11] Patent Number: **Des. 394,299**

[45] Date of Patent: ****May 12, 1998**

- [54] **FISHING REEL SPOOL**
- [75] Inventors: **Takeo Miyazaki; Yukio Itoh**, both of Higashikurume, Japan
- [73] Assignee: **Daiwa Seiko, Inc.**, Tokyo, Japan
- [**] Term: **14 Years**
- [21] Appl. No.: **56,169**
- [22] Filed: **Jun. 25, 1996**
- [51] LOC (6) Cl. **22-05**
- [52] U.S. Cl. **D22/137**
- [58] Field of Search D22/137, 141, D22/138; 242/118.4, 129.7, 129.5, 118.7, 118.6, 311, 322, 613.1, 613.2

[56] **References Cited**

U.S. PATENT DOCUMENTS

D. 274,832	7/1984	Sugimoto	D22/137
D. 278,359	4/1985	Sugimoto	D22/137
D. 290,986	7/1987	Yamaguchi	D22/137
D. 369,847	5/1996	Kuntze	D22/137

OTHER PUBLICATIONS

Japanese Design Journal issued on Dec. 20, 1994 (Reg.No.915557 Owner: Daiwa Seiko, Inc.)
 Japanese Design Journal issued on Aug. 5, 1992 (Reg.No. 580576 Similar No. 1 Owner: Daiwa Sekio, Inc.).

Japanese Design Journal issued on Jul. 2, 1984 (Reg.No. 580576 Similar No. 7 Owner: Daiwa Sekio, Inc.).
 Japanese Design Journal issued on Feb. 23, 1990 (Reg.No.782223 Owner: Daiwa Sekio, Inc.).
 Japanese Design Journal issued on Mar. 6, 1990 (Reg.No.782223 Similar No. 1 Owner: Daiwa Sekio, Inc.).

Primary Examiner—Doris V. Coles
Attorney, Agent, or Firm—IP Group of Pillsbury Madison & Sutro LLP

[57] **CLAIM**

The ornamental design for a fishing reel spool, as shown and described.

DESCRIPTION

FIG. 1 is a front and right side perspective view of a fishing reel spool showing our new design;
 FIG. 2 is a front and left side perspective view thereof;
 FIG. 3 is a front elevational view thereof;
 FIG. 4 is a top plan view thereof;
 FIG. 5 is a left side elevational view thereof;
 FIG. 6 is a right side elevational view thereof;
 FIG. 7 is a front and right side perspective of the other embodiment showing our new design;
 FIG. 8 is a front and left side perspective thereof;
 FIG. 9 is a front elevational view thereof;
 FIG. 10 is a right side elevational view thereof; and,
 FIG. 11 is a left side elevational view thereof.

1 Claim, 5 Drawing Sheets

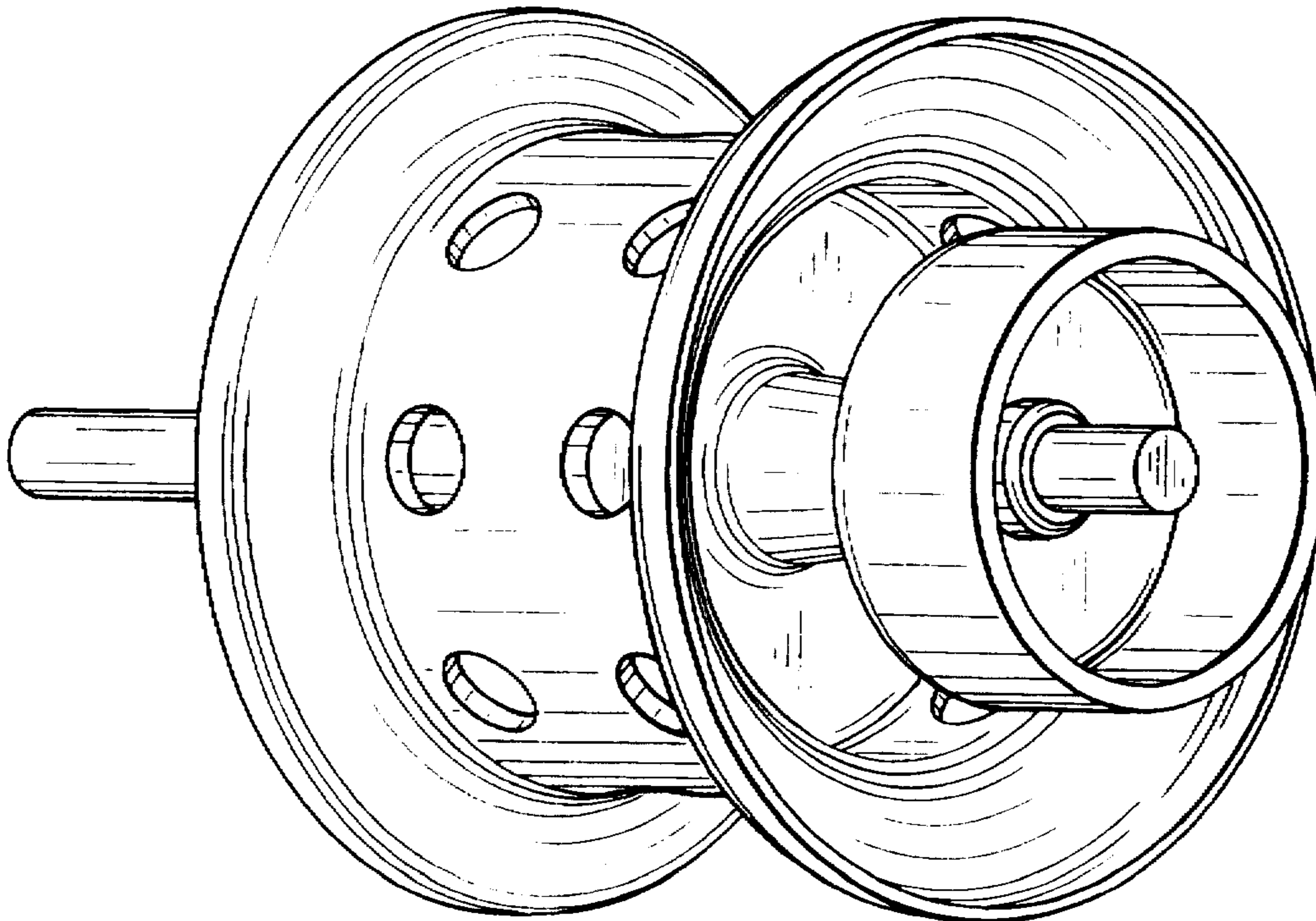


FIG. 1

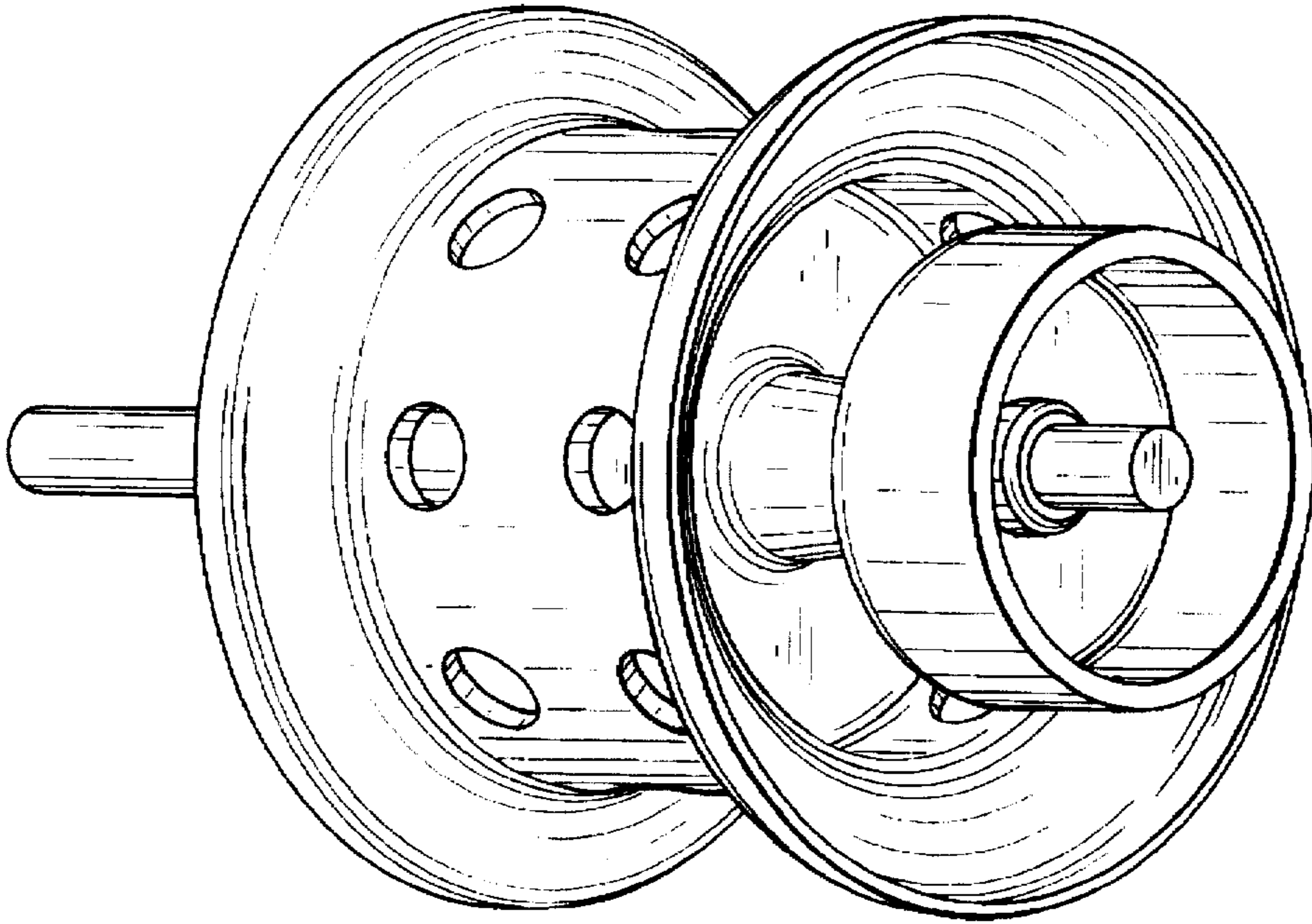


FIG. 2

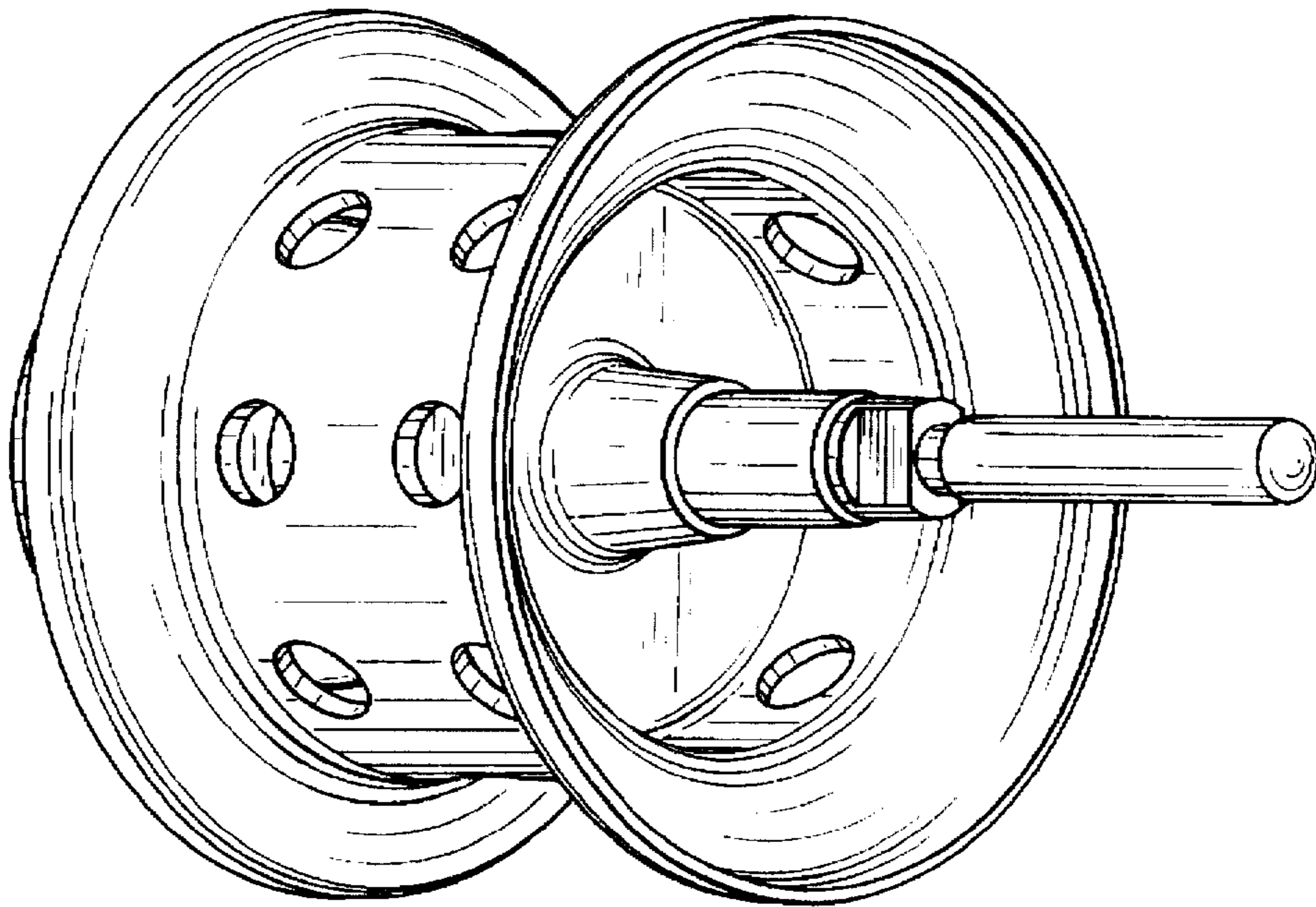


FIG. 3

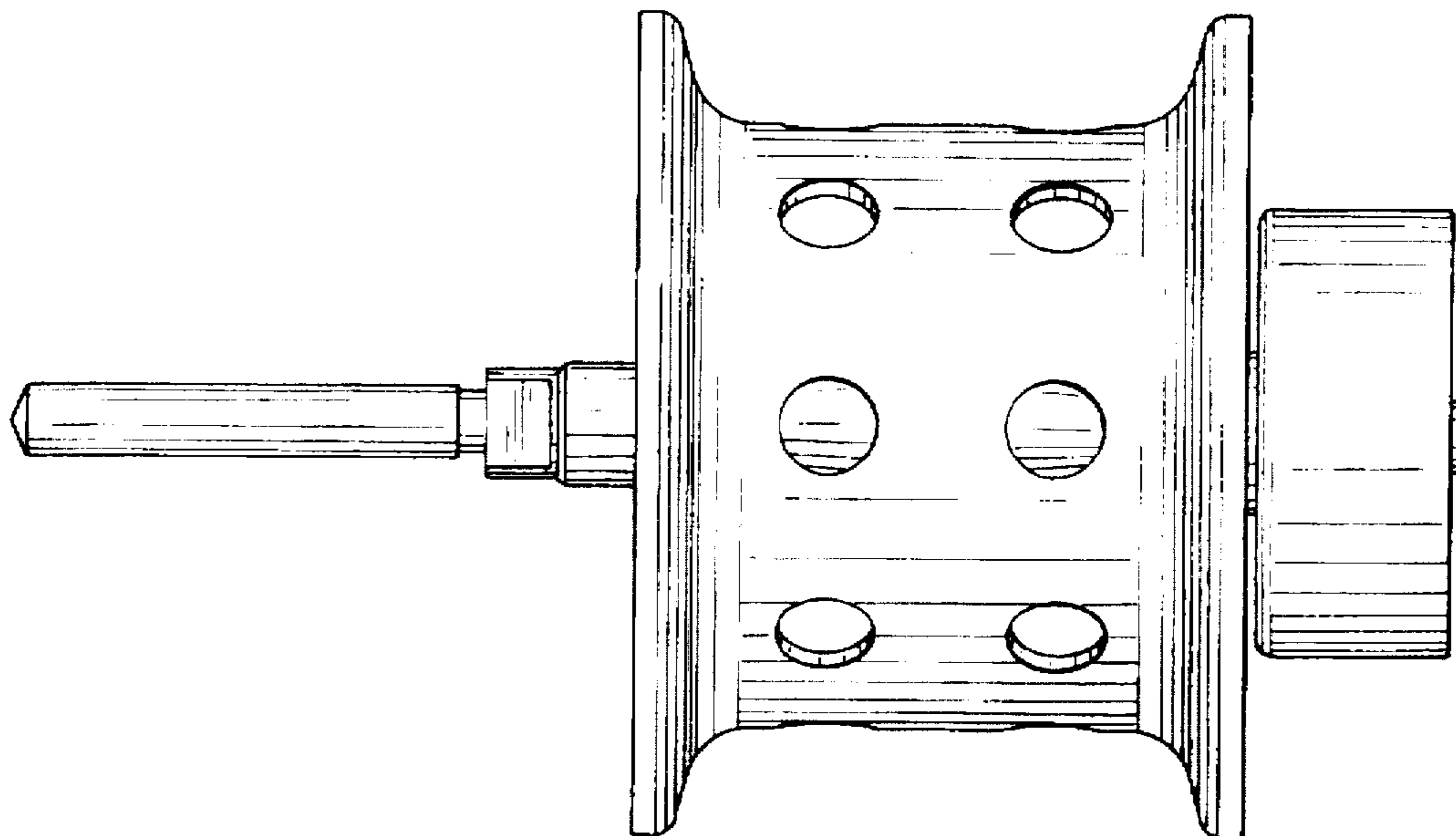


FIG. 4

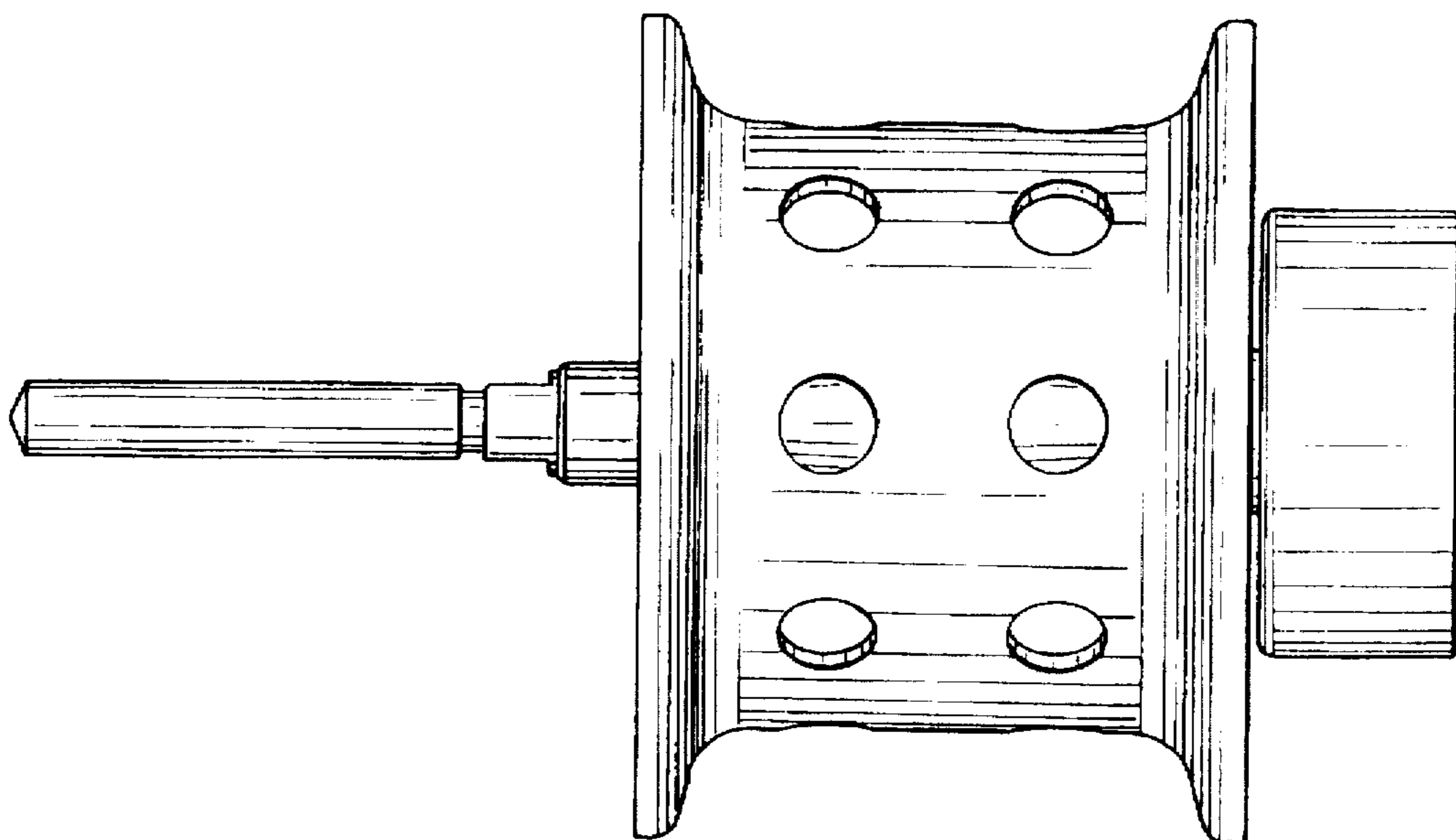


FIG. 5

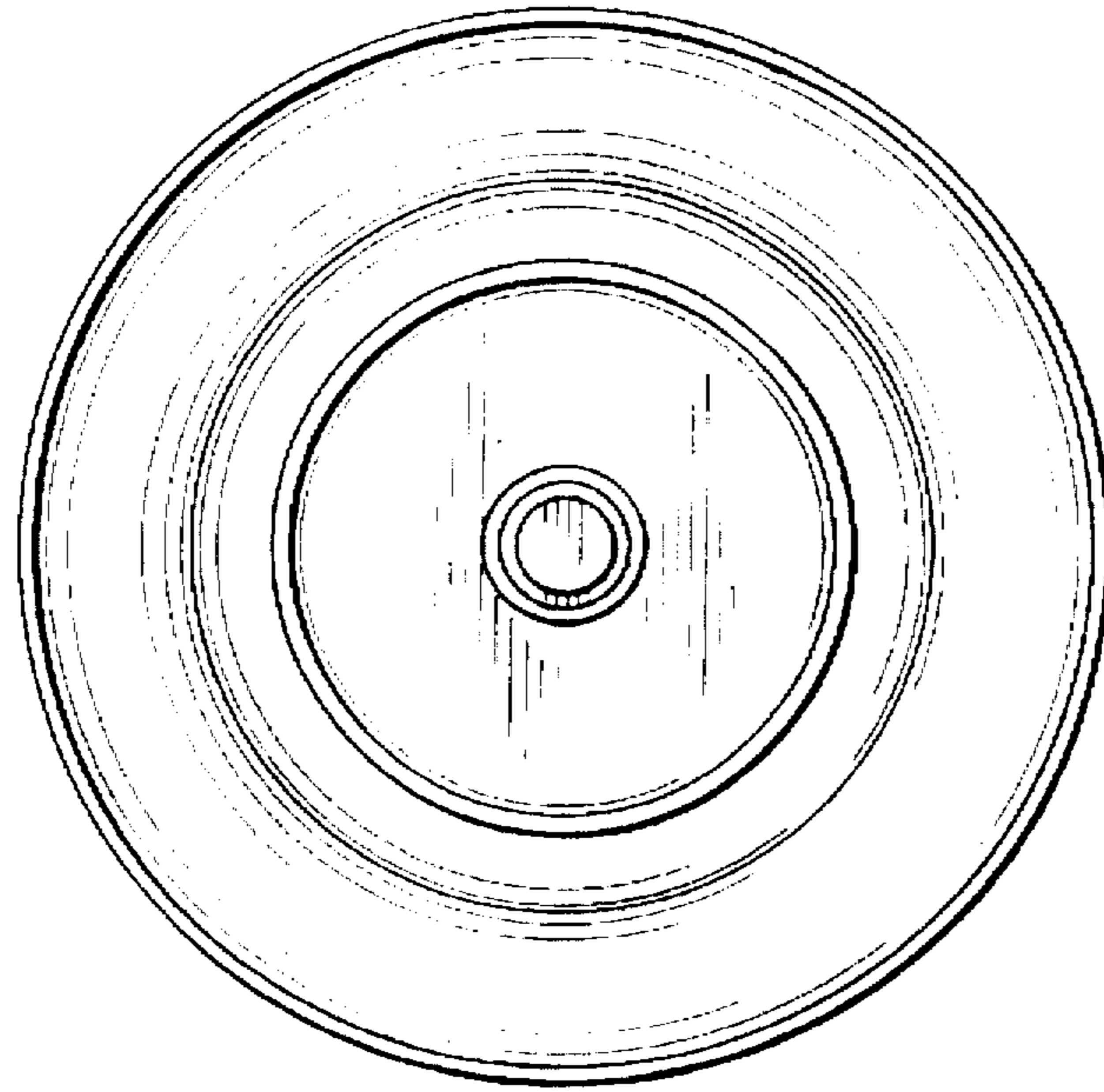


FIG. 6

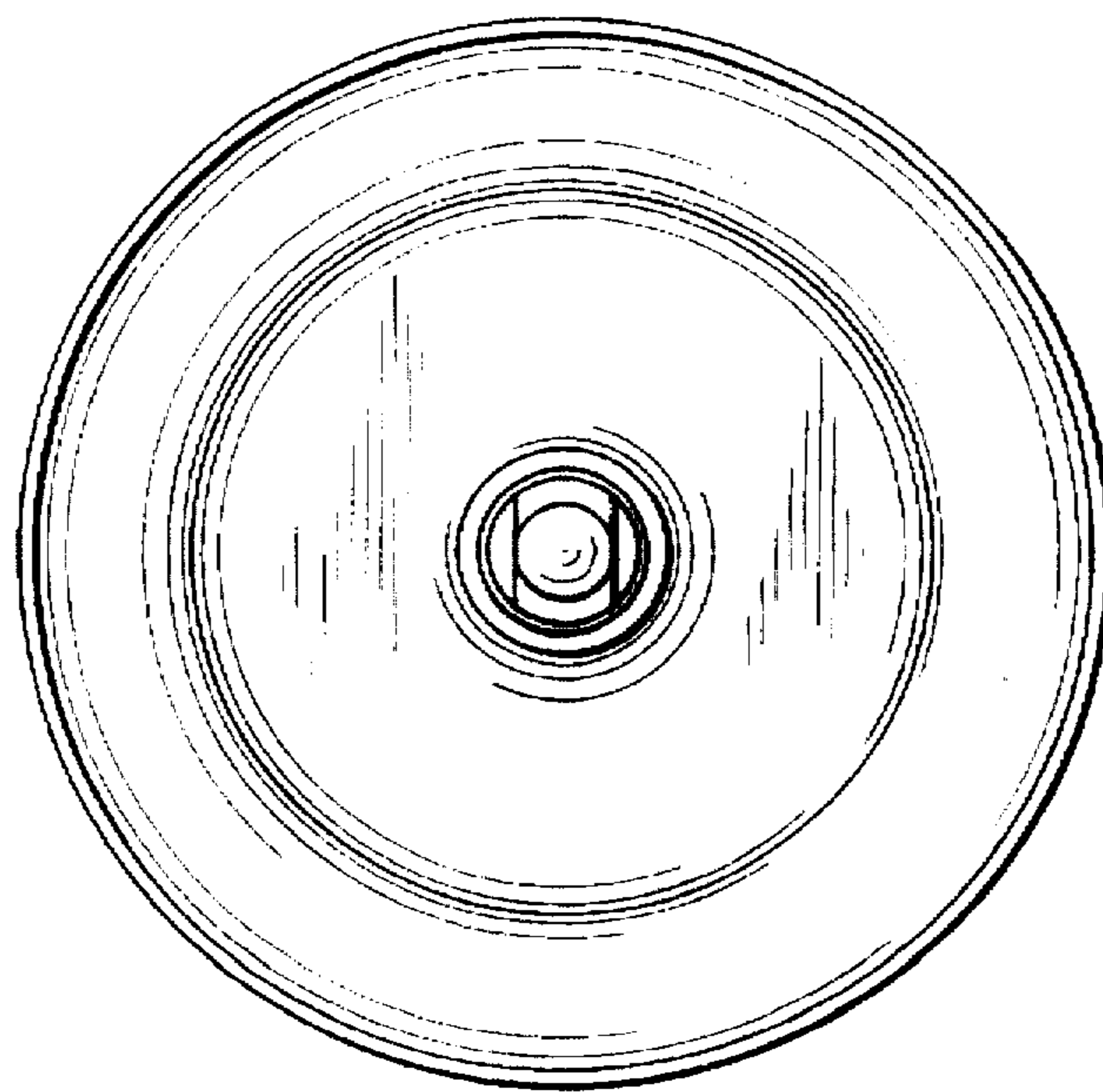


FIG. 7

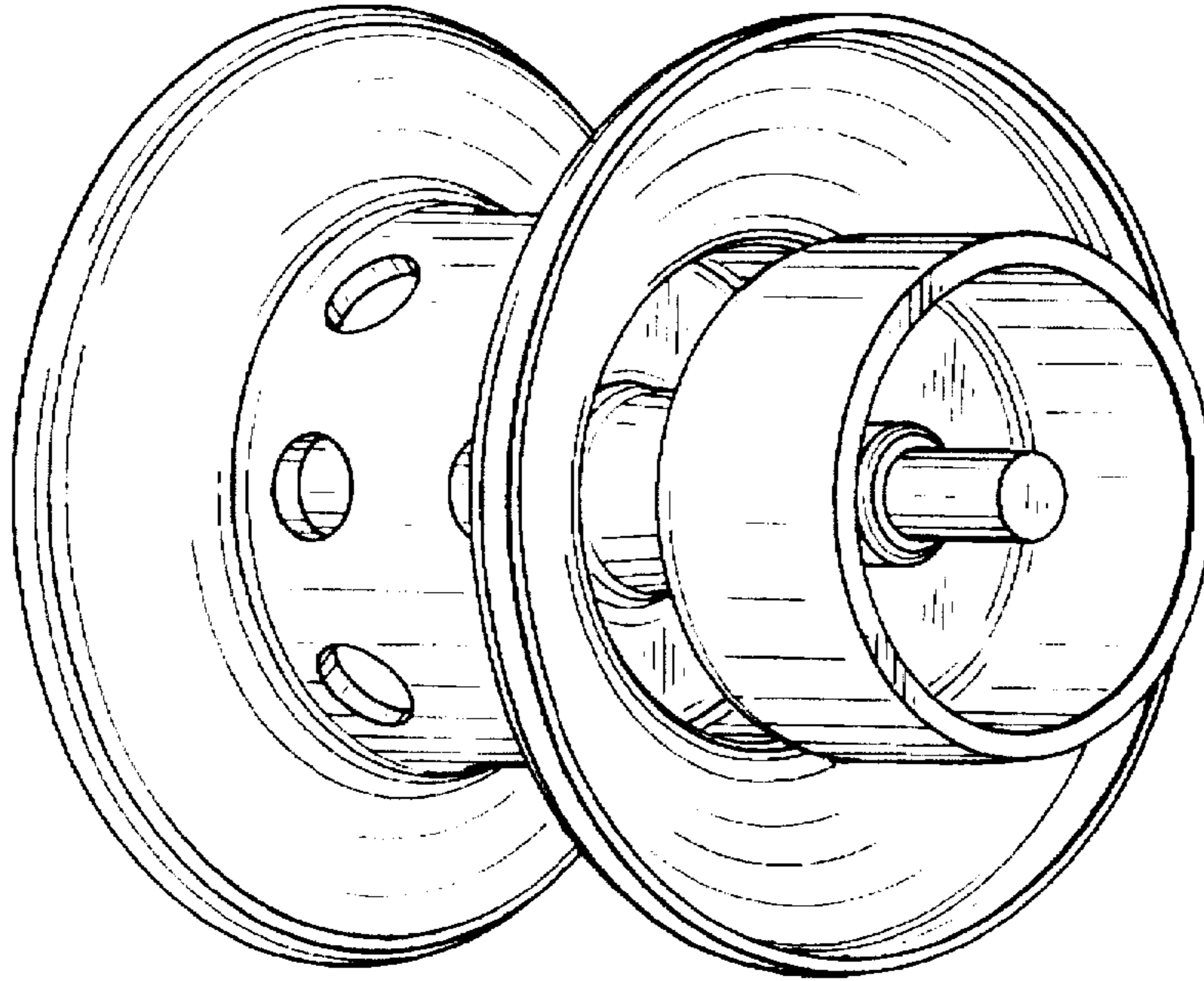


FIG. 8

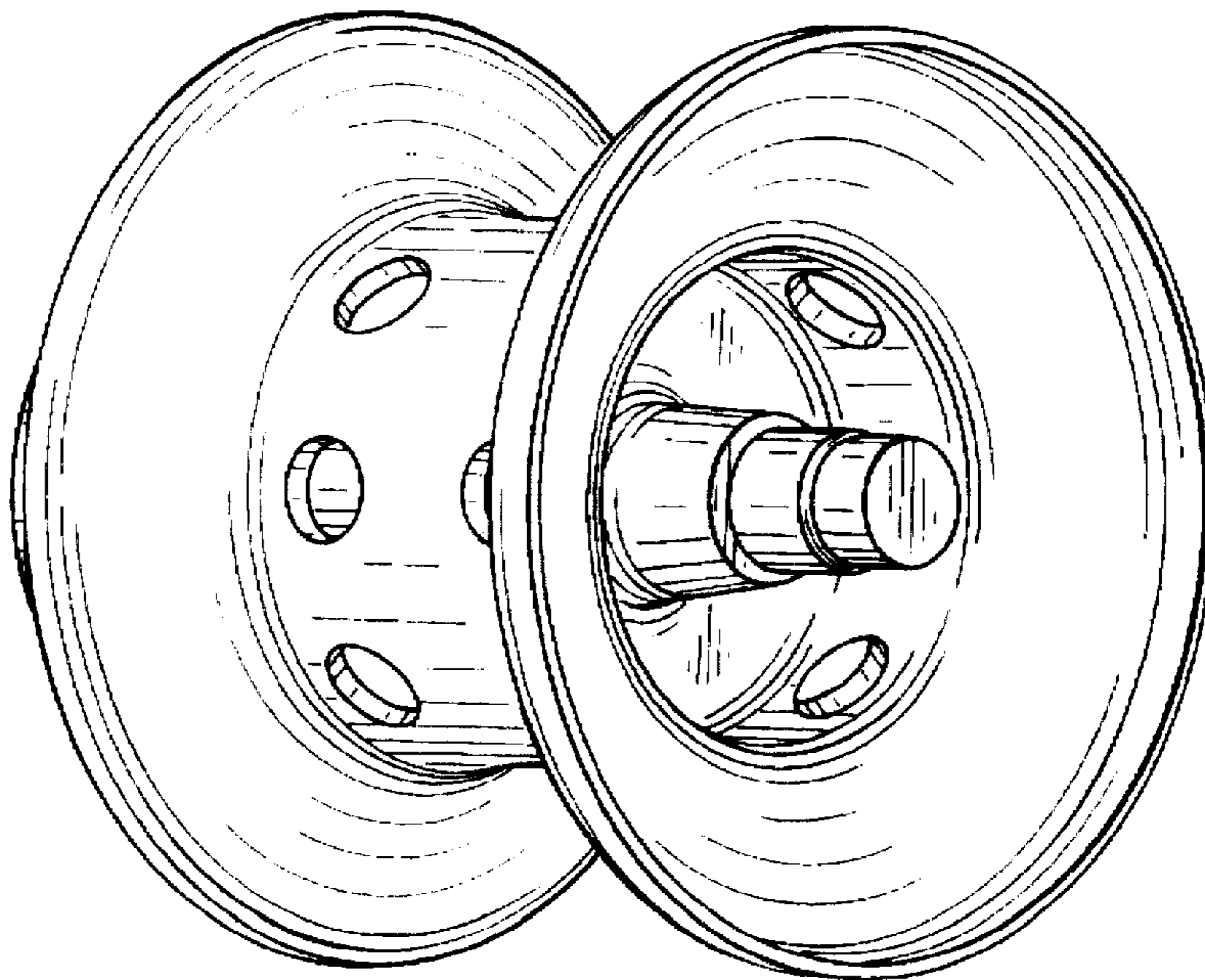


FIG. 9

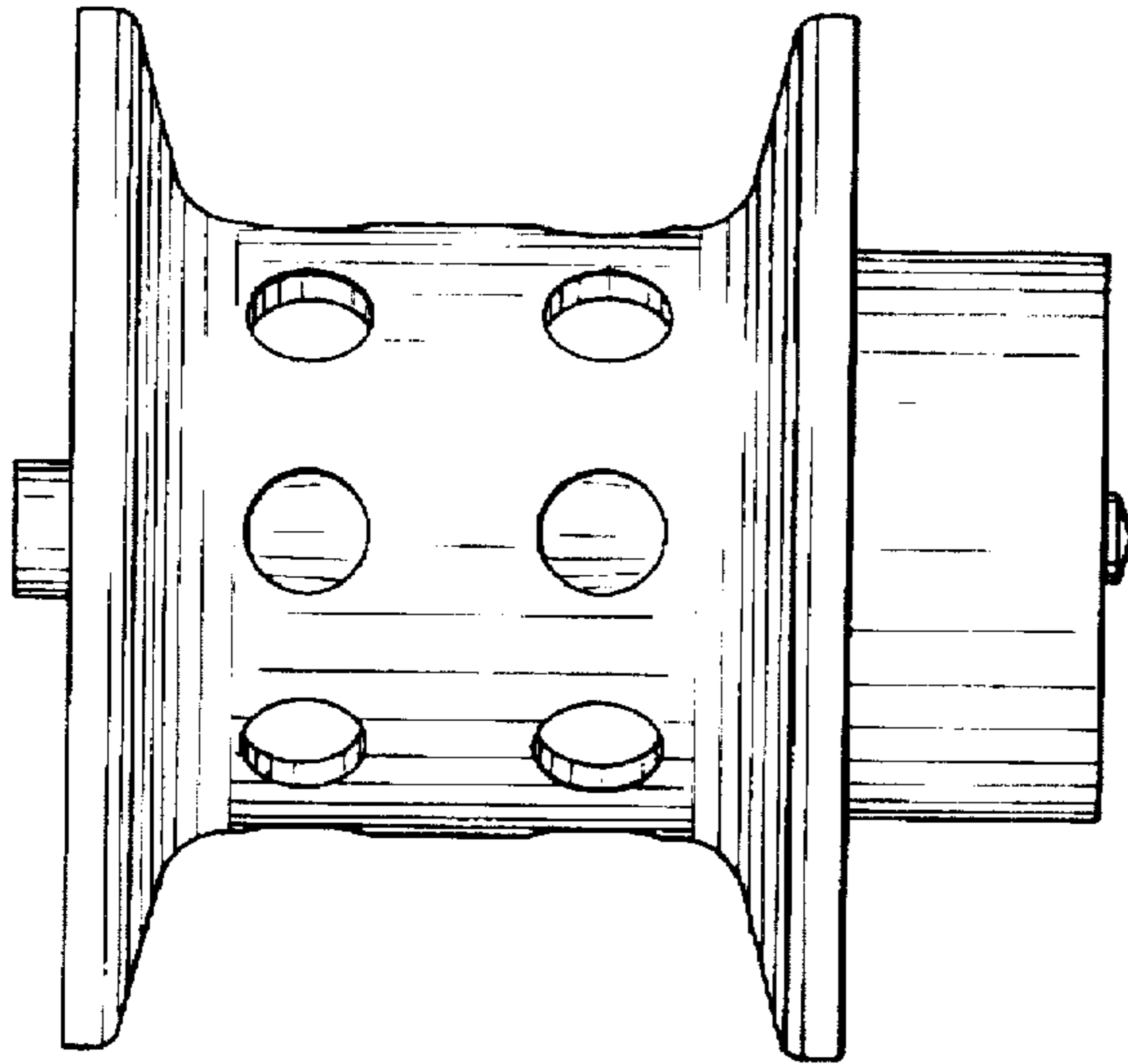


FIG. 10

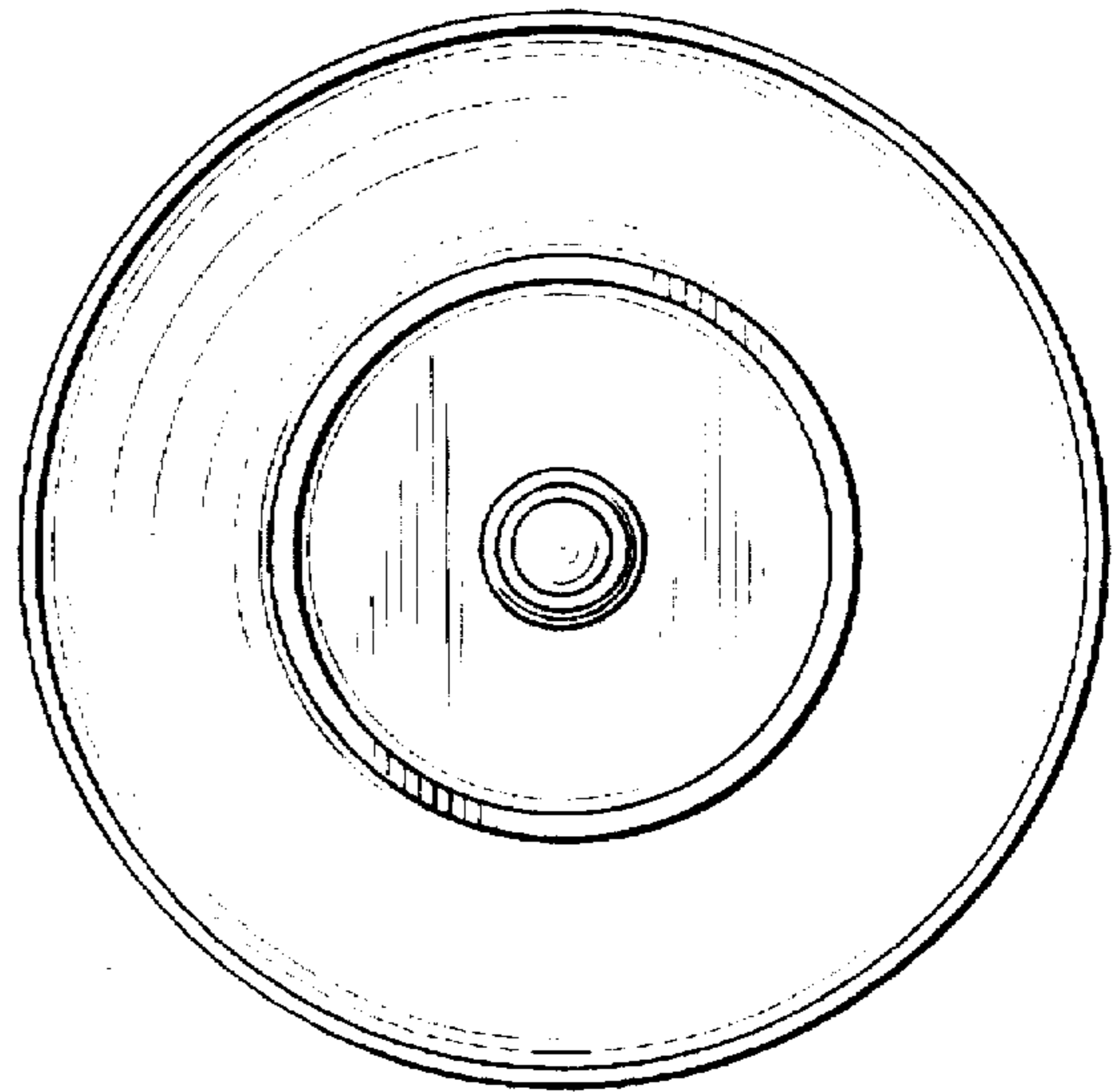


FIG. 11

