



US00D394295S

United States Patent [19]
Southworth

[11] **Patent Number:** **Des. 394,295**
[45] **Date of Patent:** ****May 12, 1998**

[54] **GOLF HOLE FLAG PIN**

[76] **Inventor:** **Grant L. Southworth**, 3615 N. Wolf
Creek Dr., Eden, Utah 84310

[**] **Term:** **14 Years**

[21] **Appl. No.:** **58,487**

[22] **Filed:** **Aug. 16, 1996**

[51] **LOC (6) Cl.** **21-02**

[52] **U.S. Cl.** **D21/234**

[58] **Field of Search** D21/234; 473/180-184,
473/173, 174, 176

[56] **References Cited**

U.S. PATENT DOCUMENTS

D. 86,490	3/1932	Strong	D21/234
D. 233,942	12/1974	Sapler	D21/234
D. 251,863	5/1979	Gordon	D21/234
D. 264,114	4/1982	Wojciechowski	D21/234
D. 349,321	8/1994	Eversole	D21/234

Primary Examiner—Raphael Barkai
Assistant Examiner—Mitchell I. Siegel
Attorney, Agent, or Firm—A. Ray Osburn

[57] **CLAIM**

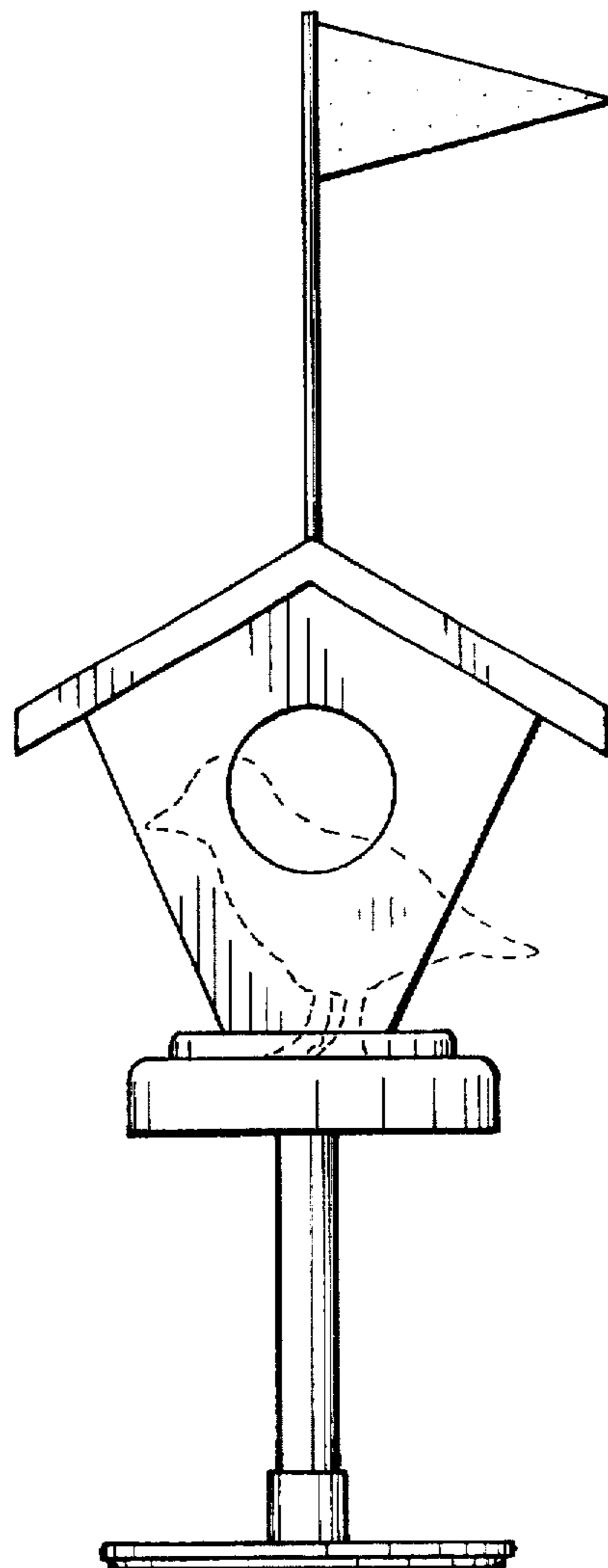
The ornamental design for a golf hole flag pin, as shown and described.

DESCRIPTION

FIG. 1 is an upper right front perspective view of a golf hole flag pin showing my new design;
FIG. 2 is a front elevation view thereof;
FIG. 3 is a right side elevation view thereof;
FIG. 4 is a left side elevation view thereof;
FIG. 5 is a rear elevation view thereof;
FIG. 6 is a top plan view thereof; and,
FIG. 7 is a bottom plan view thereof.

The broken line showing of the putting green (FIG. 1) and bird (FIGS. 1-7) is for illustrative purposes only and forms no part of the claimed design.

1 Claim, 4 Drawing Sheets



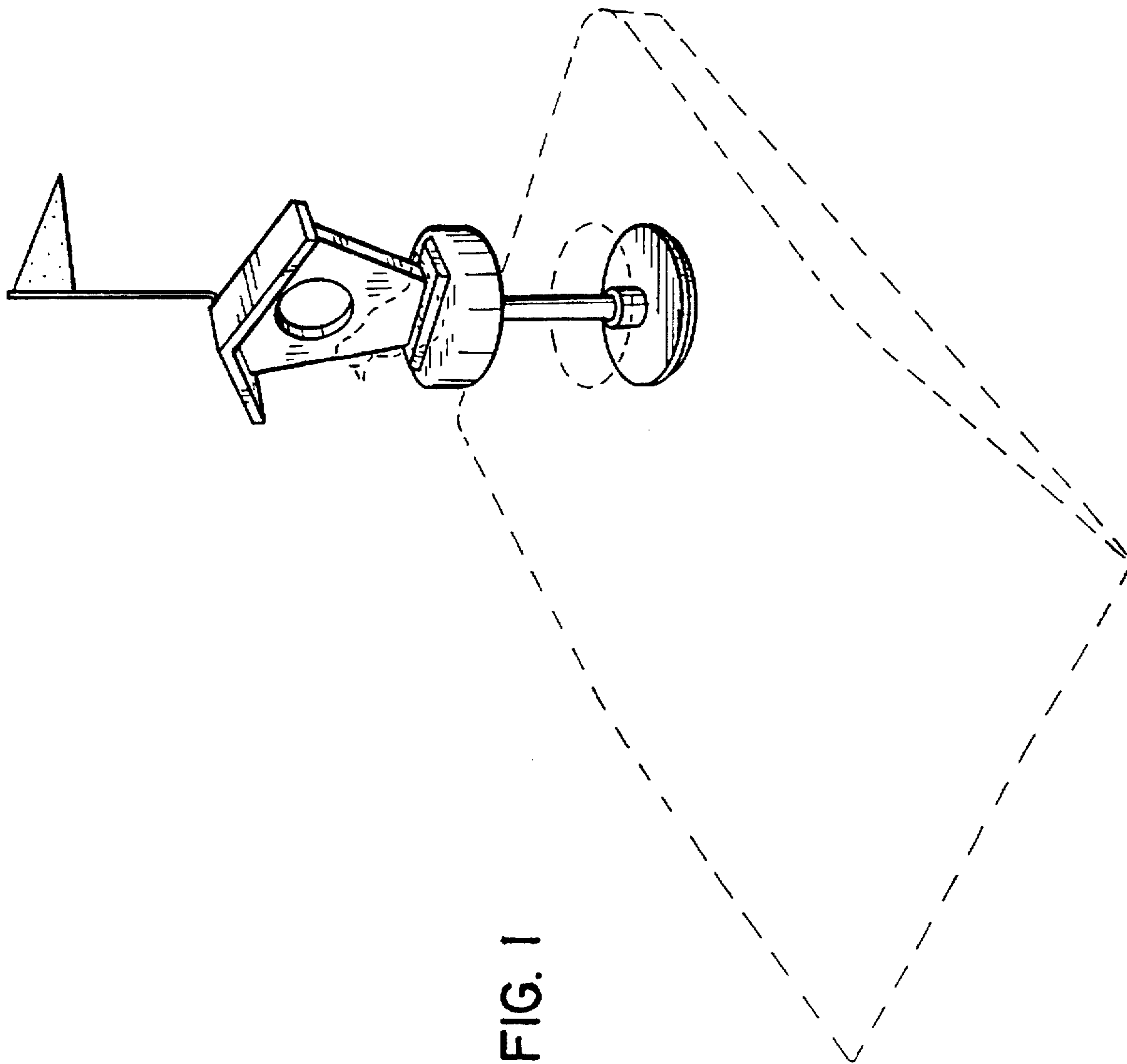


FIG. 1

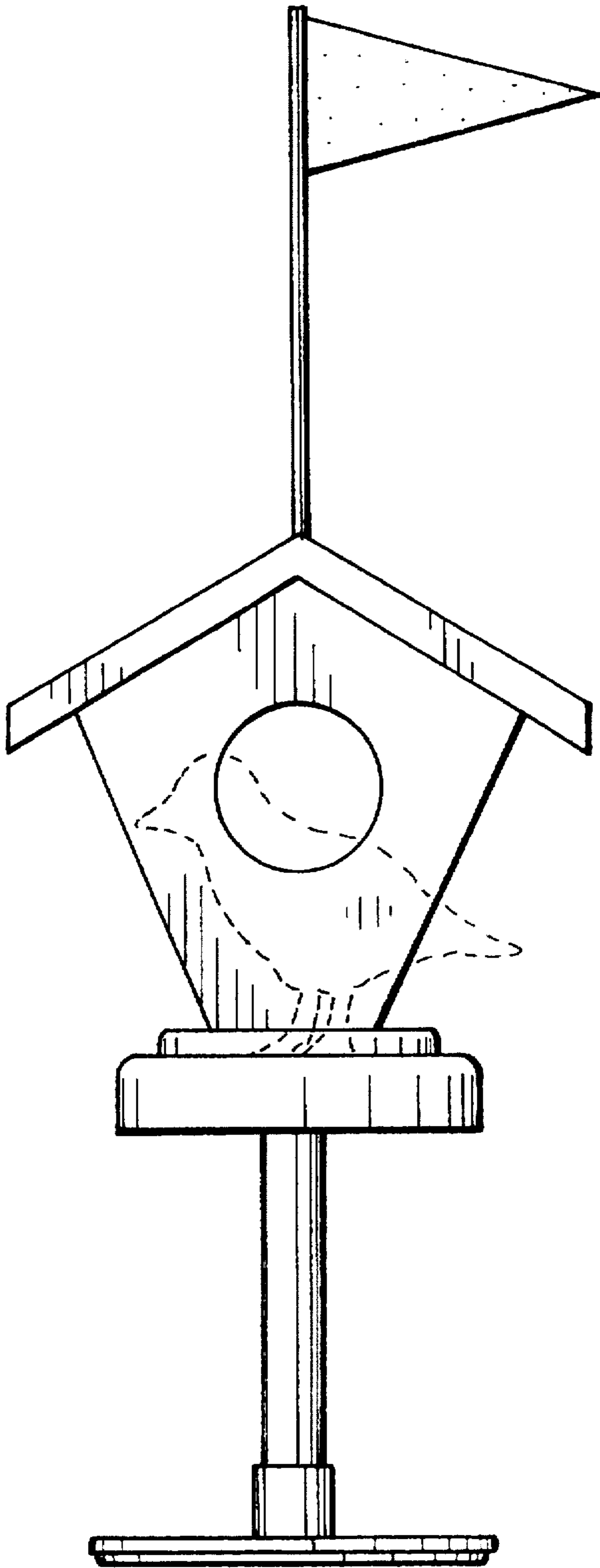


FIG. 2

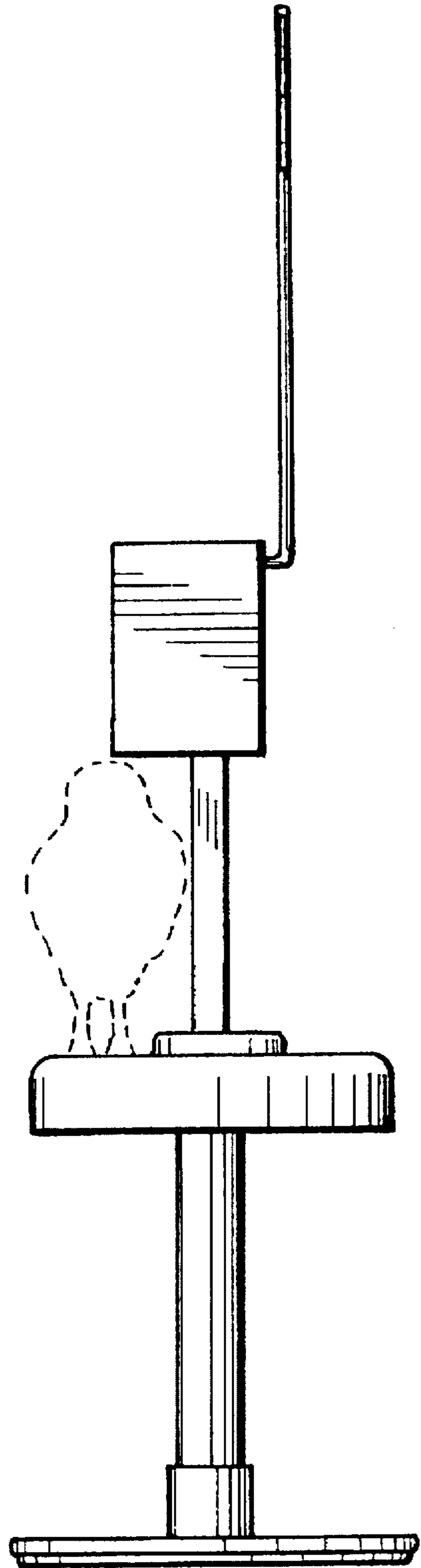


FIG. 3

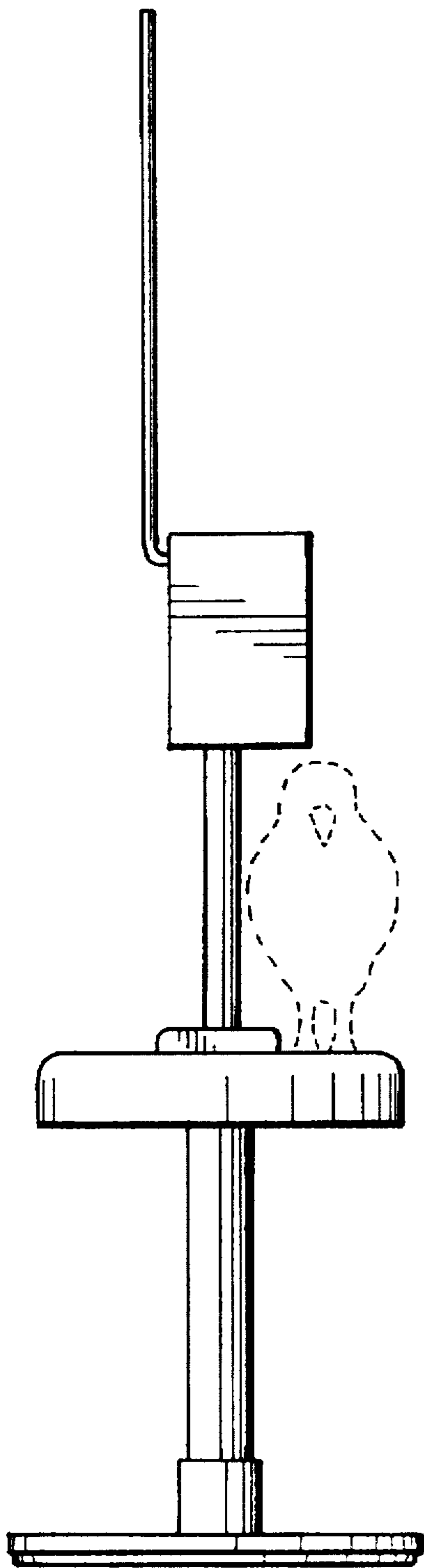


FIG. 4

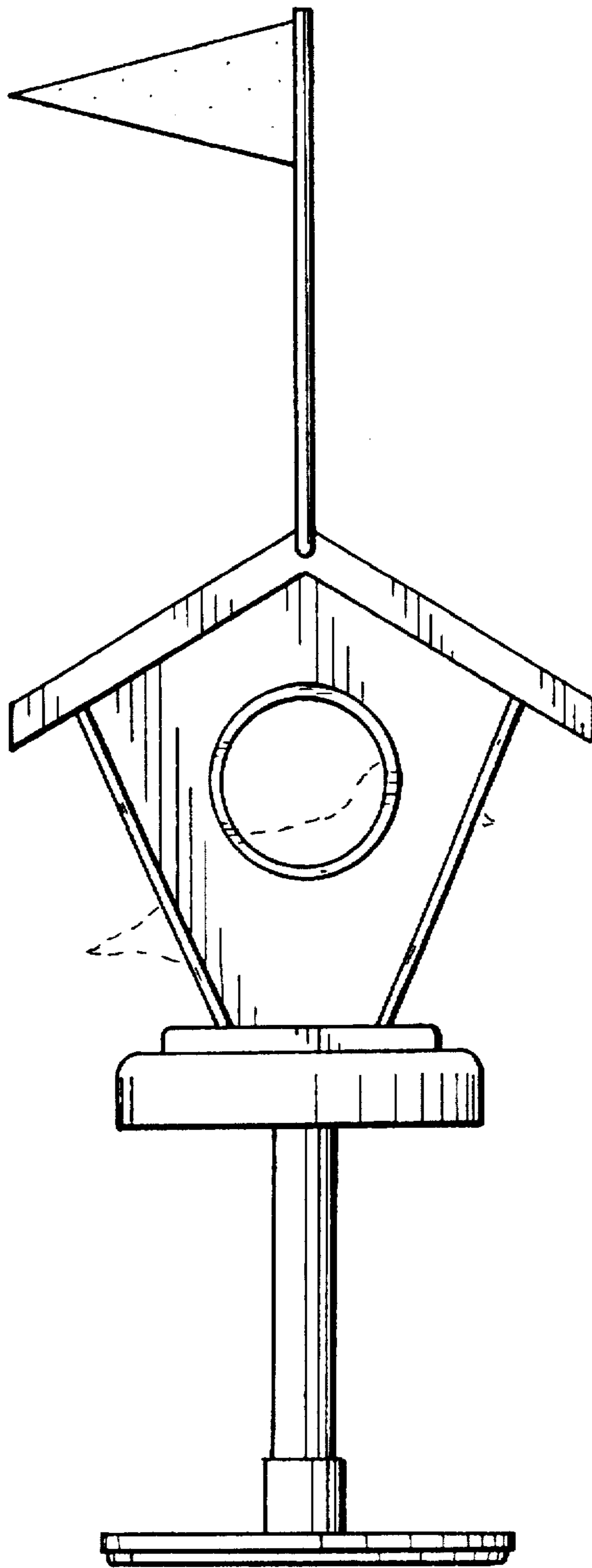


FIG. 5

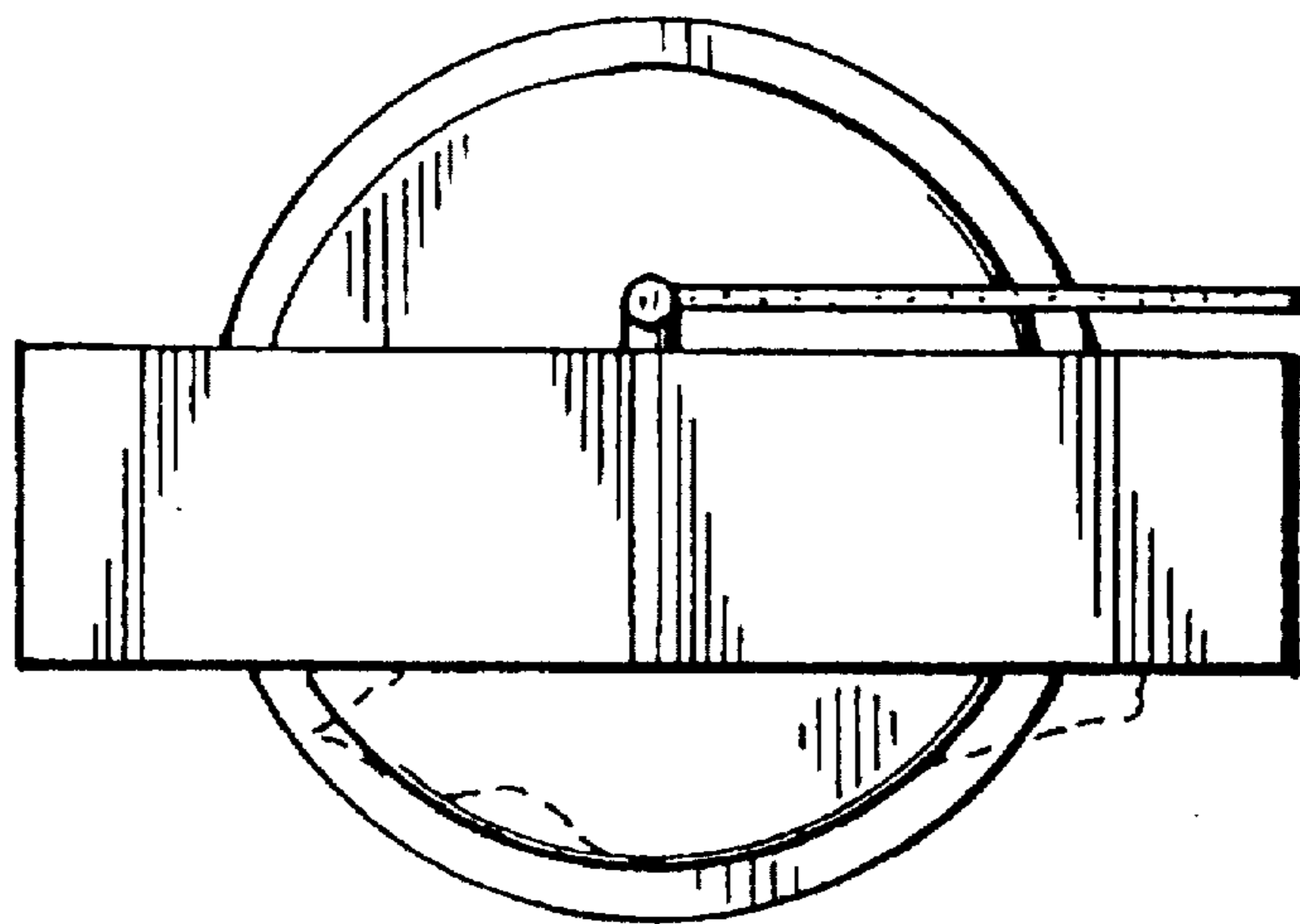


FIG. 6

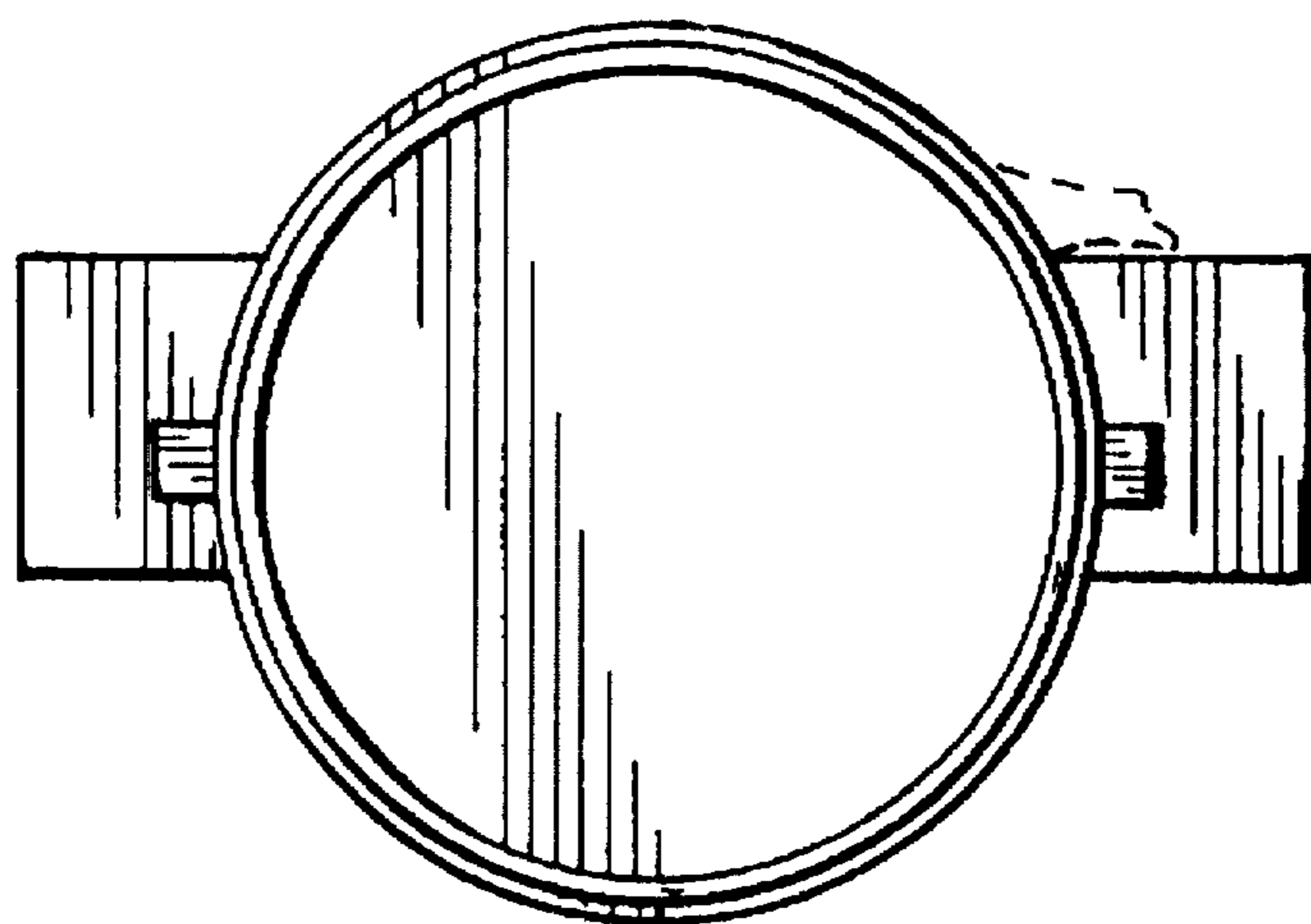


FIG. 7