



US00D394291S

United States Patent [19]

[11] Patent Number: **Des. 394,291**

Beltran et al.

[45] Date of Patent: ****May 12, 1998**

[54] **COMBINATION GOLF PUTTER AND GOLF BALL DISPLAY STAND AND PUTT PRACTICE DEVICE**

[57] **CLAIM**

The ornamental design for a combination golf putter and golf ball display stand and putt practice device, as shown.

[76] Inventors: **Carlos Machado Beltran**, P.O. Box 530010, San Diego, Calif. 92153;
Alejandro Machado Beltran, 3938 Via de la Bandola, San Ysidro, Calif. 92173

DESCRIPTION

[**] Term: **14 Years**

FIG. 1 is a rear perspective view of the combination golf putter and golf ball display stand and putt practice device;
FIG. 2 is a rear elevational view of the combination golf putter and golf ball display stand and putt practice device;
FIG. 3 is a front elevational view of the combination golf putter and golf ball display stand and putt practice device;
FIG. 4 is a side elevational view of the combination golf putter and golf ball display stand and putt practice device;
FIG. 5 is a bottom view of the combination golf putter and golf ball display stand and putt practice device;
FIG. 6 is a top plan view of the combination golf putter and golf ball display stand and putt practice device; and,
FIG. 7 is a side elevational view from the side opposite to FIG. 4 of the combination golf putter and golf ball display stand and putt practice device.

[21] Appl. No.: **65,394**

[22] Filed: **Jan. 27, 1997**

[51] LOC (6) Cl. **21-02**

[52] U.S. Cl. **D21/223**

[58] Field of Search D21/223, 234;
D6/552; 473/282; 248/96; 211/62, 64, 70.2;
294/142

The broken line showing of a putter and golf ball on FIG. 1 is for illustrative purposes only and forms no part of the claimed design.

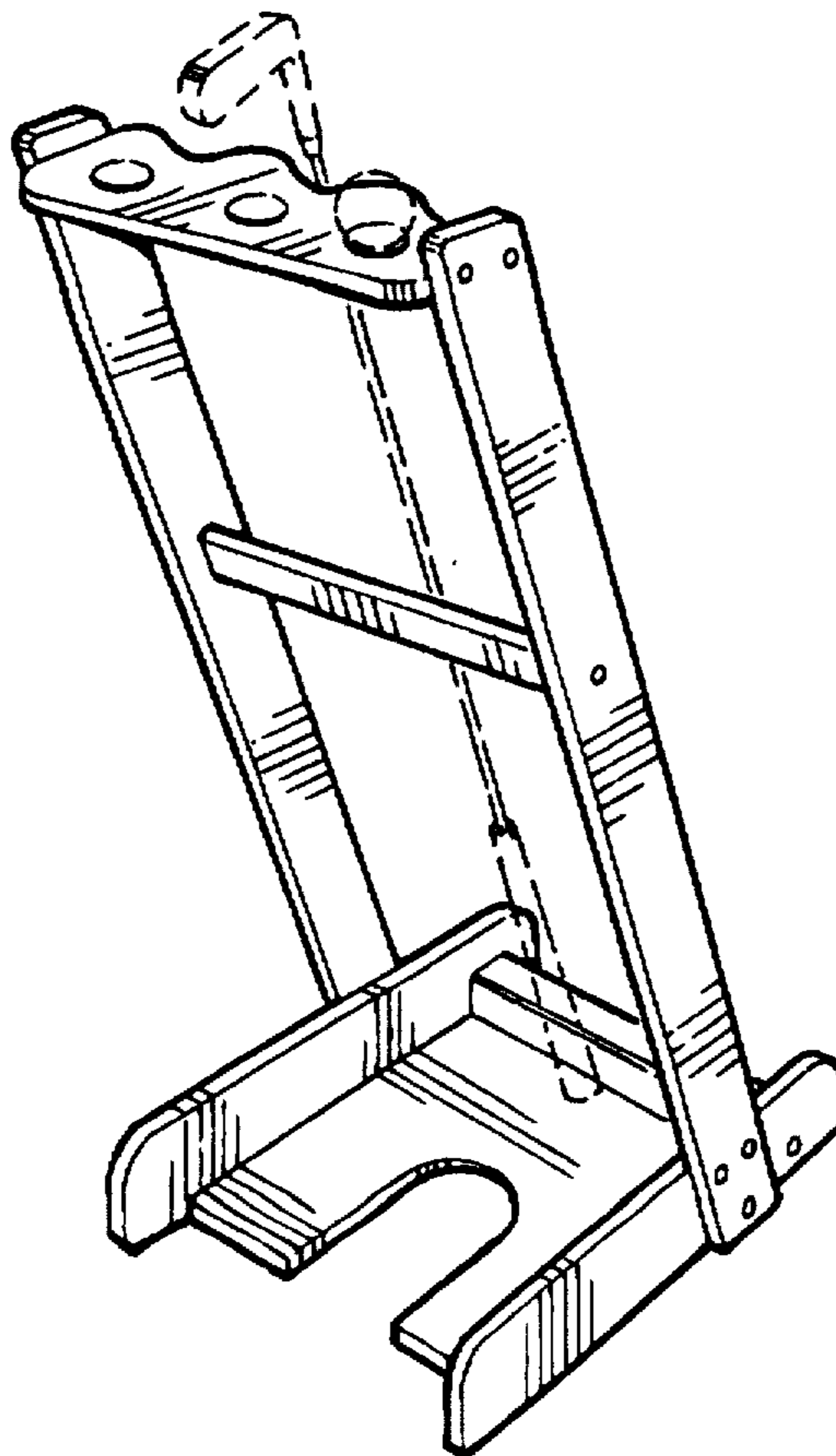
[56] References Cited

U.S. PATENT DOCUMENTS

D. 142,352	9/1945	Gutz et al.	D21/223
D. 312,016	11/1990	Montgomery	D21/223 X
D. 335,233	5/1993	Long	D6/552
5,626,379	5/1997	Scott	211/64 X

Primary Examiner—Raphael Barkai
Assistant Examiner—Mitchell I. Siegel
Attorney, Agent, or Firm—Richard D. Clarke

1 Claim, 2 Drawing Sheets



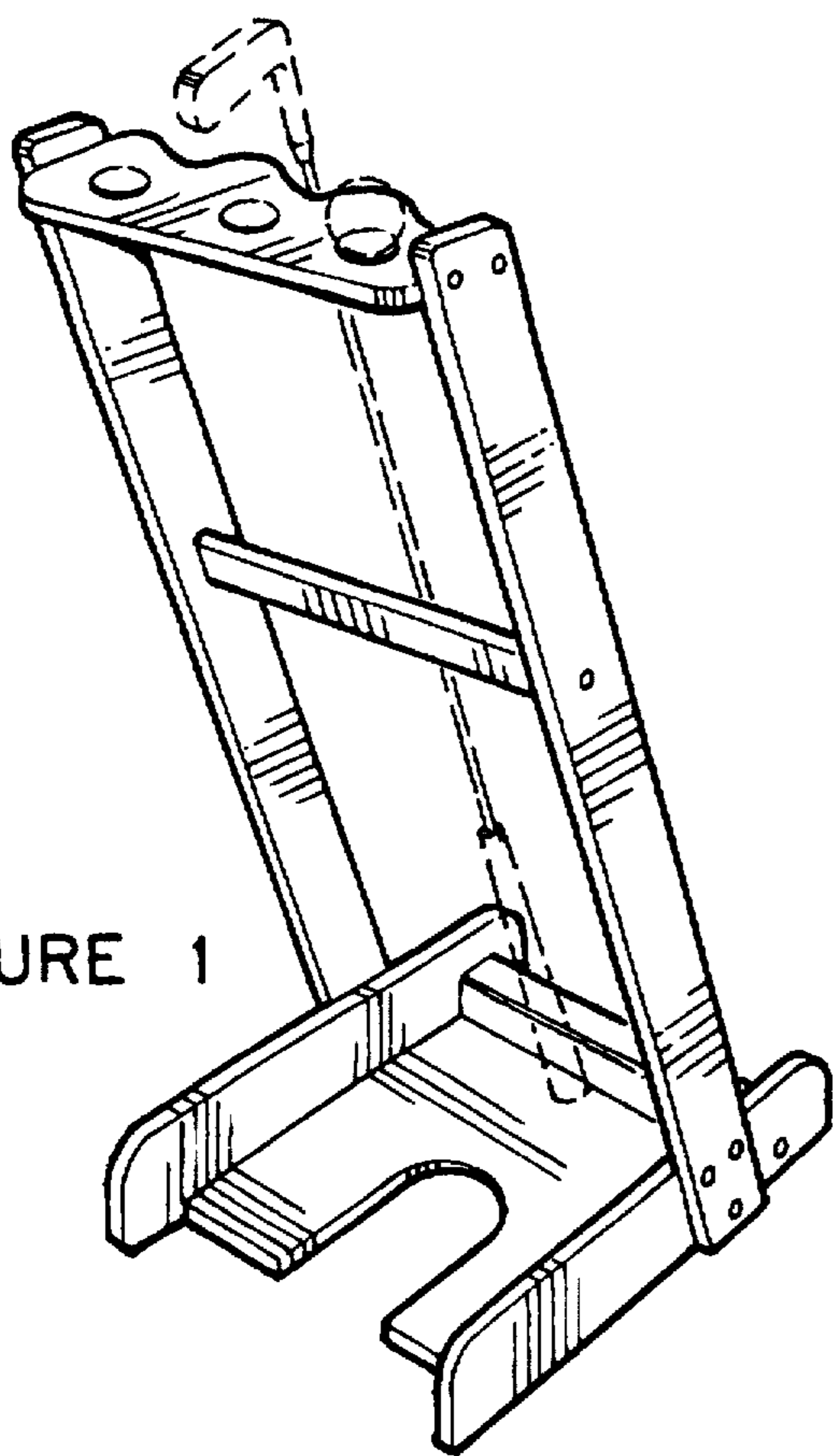


FIGURE 1

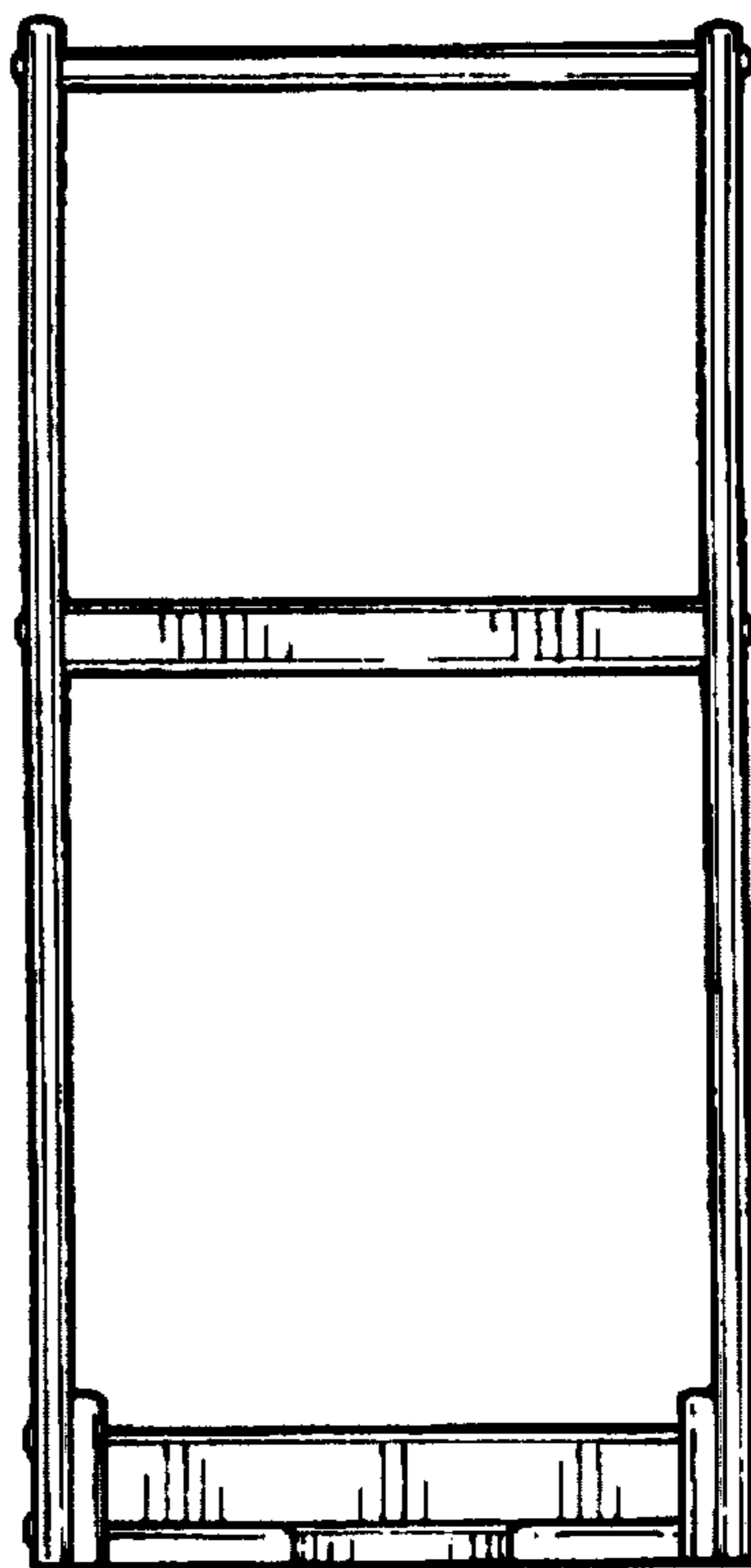


FIGURE 2

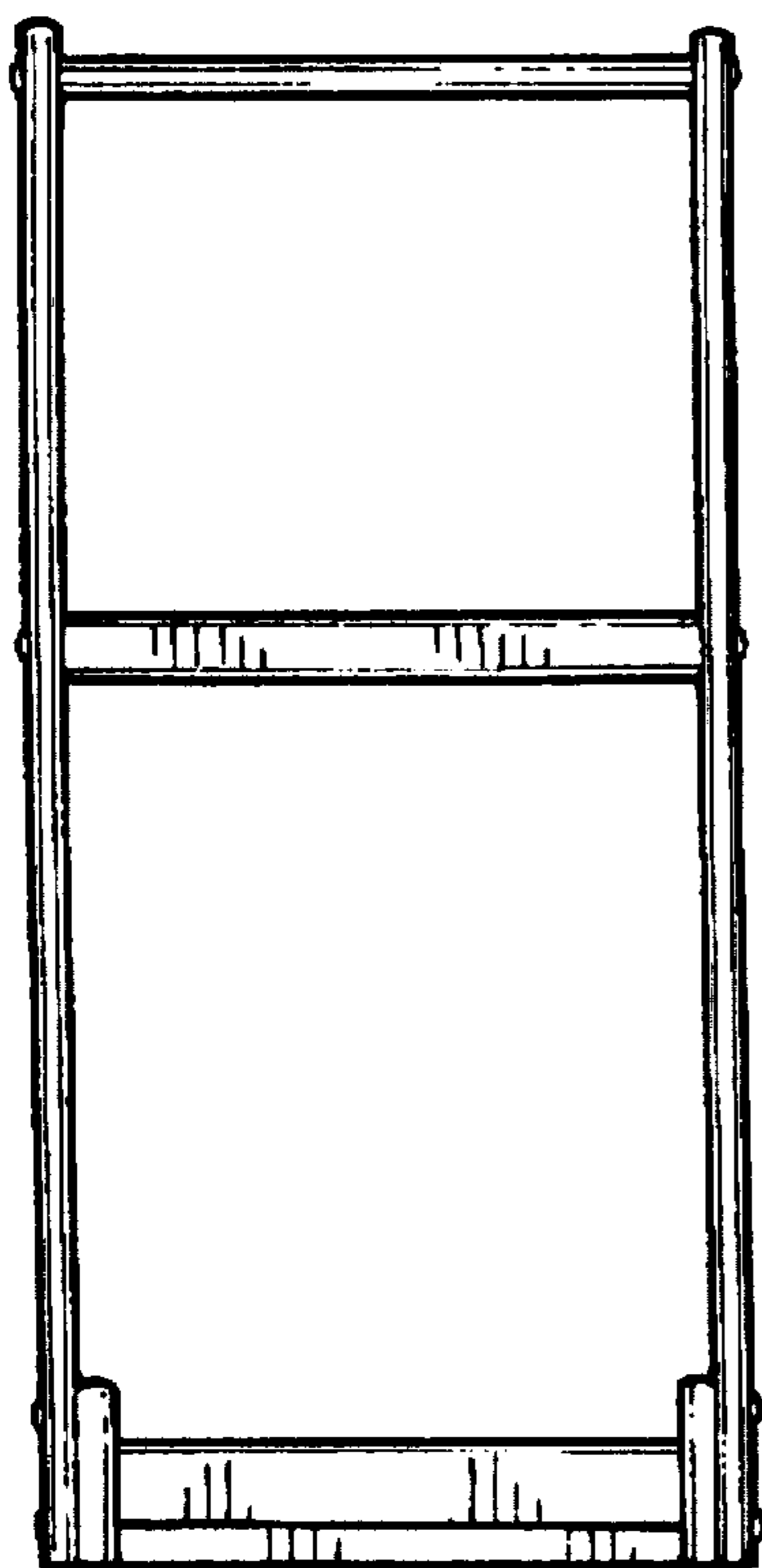


FIGURE 3

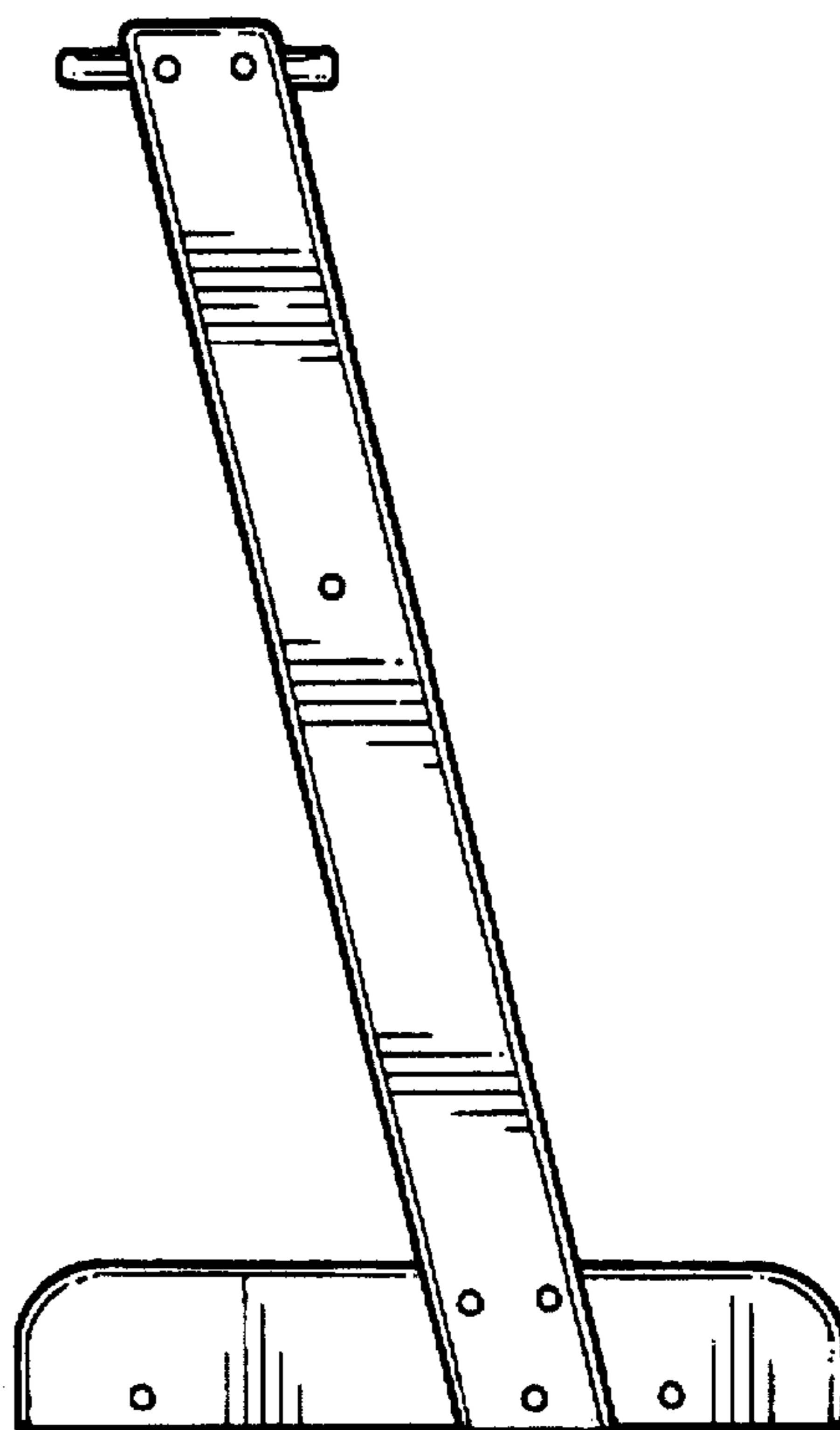


FIGURE 4

FIGURE 5

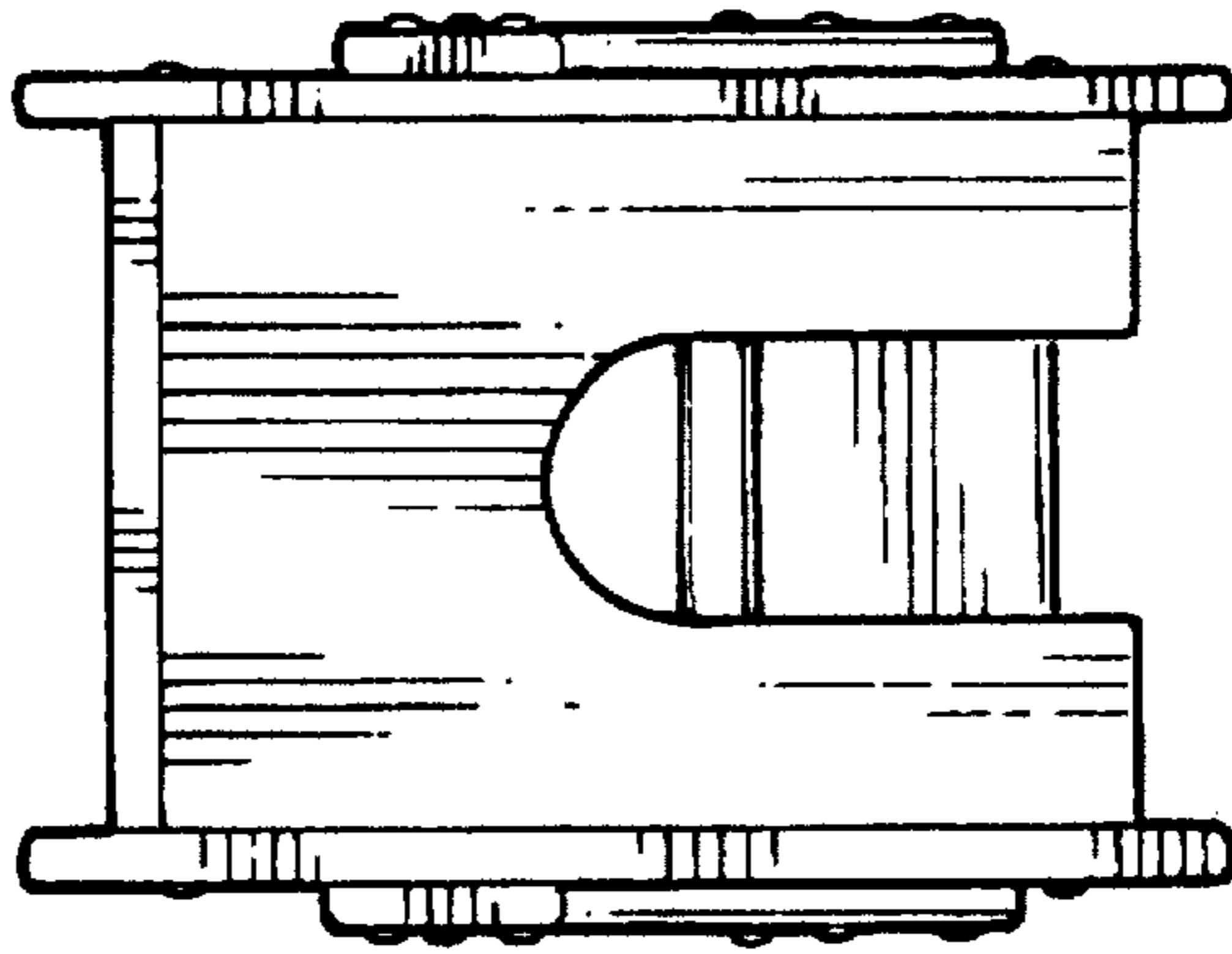


FIGURE 6

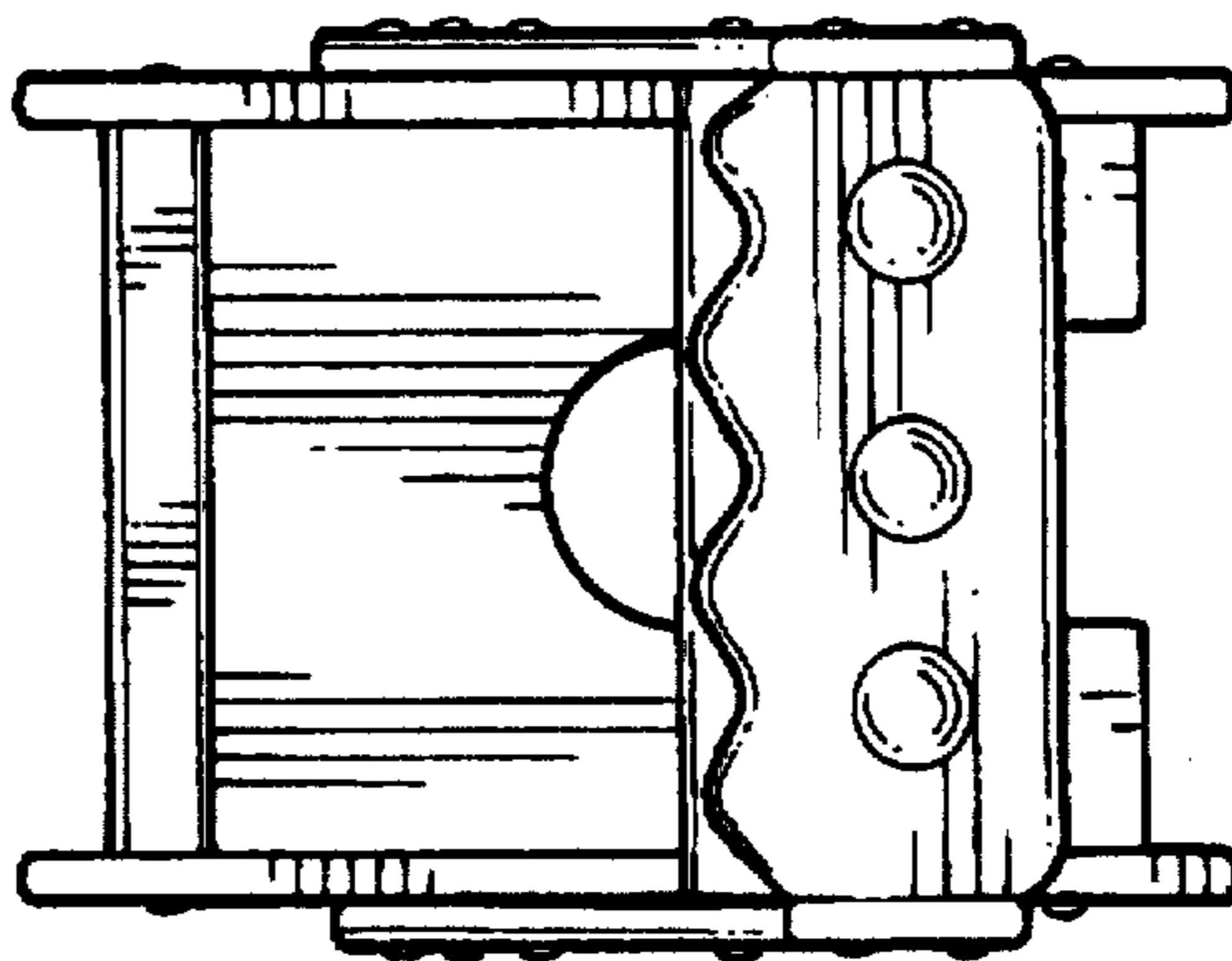


FIGURE 7

