



US00D394287S

United States Patent [19]

Jensen et al.

[11] Patent Number: **Des. 394,287**

[45] Date of Patent: ****May 12, 1998**

[54] **THREE DIMENSIONAL ORNAMENT FOR TOYS**

[75] Inventors: **Hanne Davidsen Jensen**, Gentofte; **Paul Leadbetter**, Holbæk; **Arne Egholm Jensen**, Gentofte, all of Denmark

[73] Assignee: **INTERLEGO AG**, Baar, Switzerland

[**] Term: **14 Years**

[21] Appl. No.: **59,850**

[22] Filed: **Sep. 17, 1996**

[51] LOC (6) Cl. **21-01**

[52] U.S. Cl. **D21/108; D21/59**

[58] Field of Search D21/108, 59-51, D21/141; D7/553; D9/445; D19/59; 446/85, 108, 110, 115-116, 120, 122, 124, 125, 478; 434/172

[56] **References Cited**

U.S. PATENT DOCUMENTS

D. 167,977 10/1952 Francis D21/108

D. 334,815 4/1993 Bunger D21/108
D. 352,745 11/1994 Kushner et al. D21/108
D. 357,510 4/1995 Kushner et al. D21/108
D. 382,920 8/1997 Munir D21/108
408,369 8/1889 Seqqar D21/108

Primary Examiner—Raphael Barkai
Attorney, Agent, or Firm—Kane, Dalsimer, Sullivan, Kurucz, Levy, Eisele and Richard, LLP

[57] **CLAIM**

The ornamental design for a three dimensional ornamental for toys, as shown and described.

DESCRIPTION

FIG. 1 is a perspective view of the three dimensional ornamental for toys;

FIG. 2 is a perspective view in an alternative position;

FIG. 3 is a left side elevational view thereof;

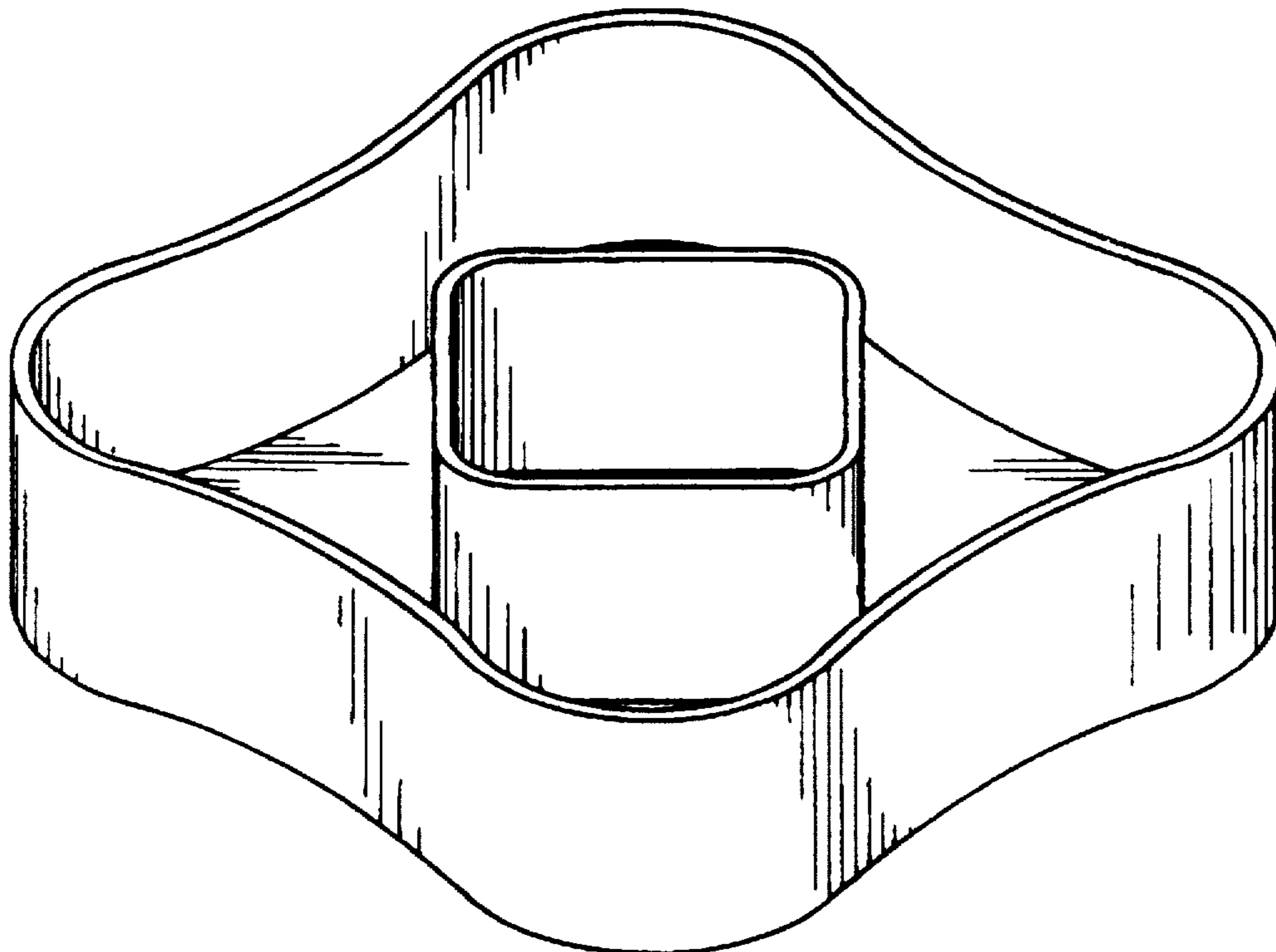
FIG. 4 is a rear elevational view thereof;

FIG. 5 is front elevational view thereof;

FIG. 6 is a right side elevational view thereof; and,

FIG. 7 is a plan view thereof.

1 Claim, 2 Drawing Sheets



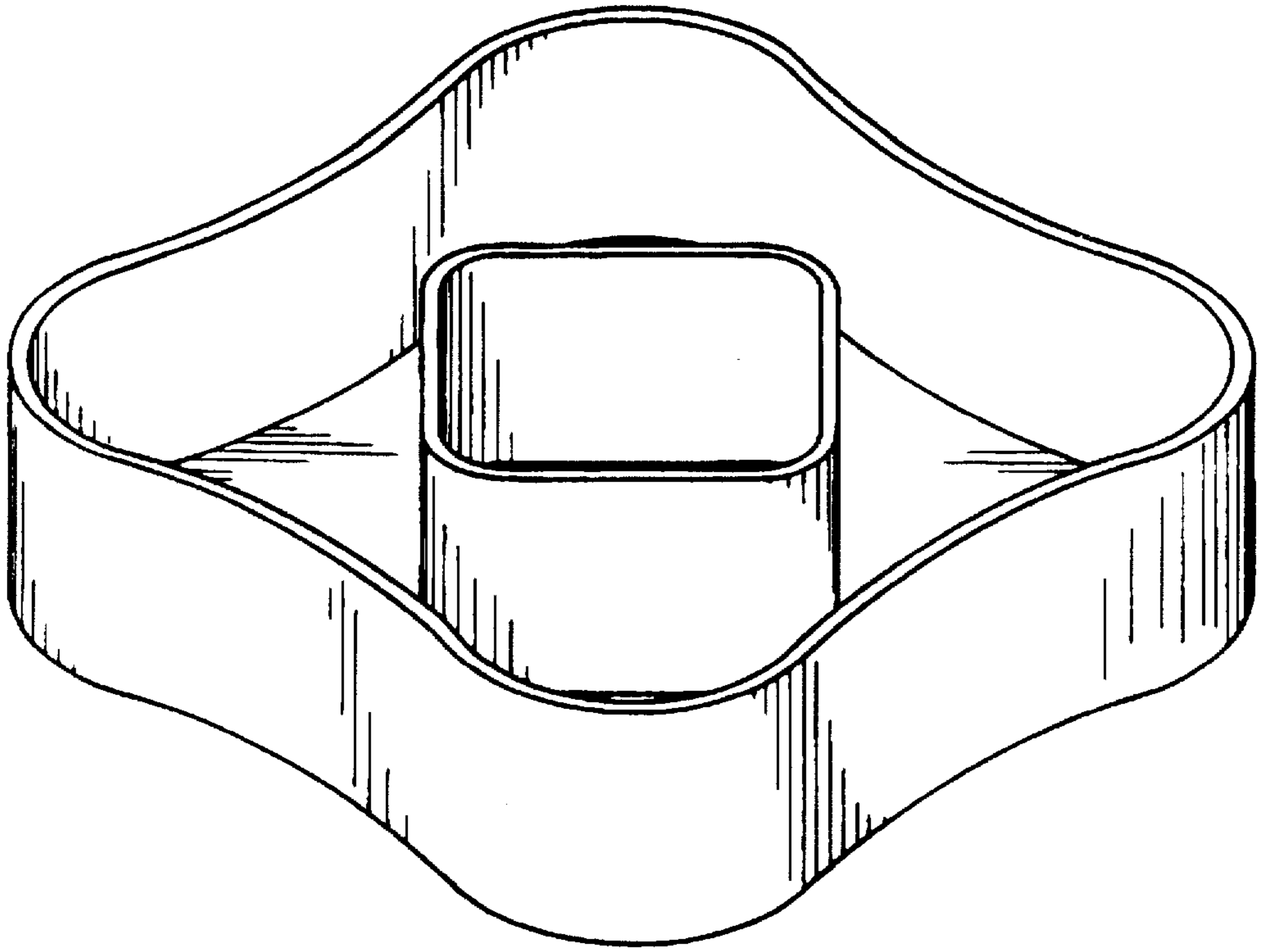


FIG. 1

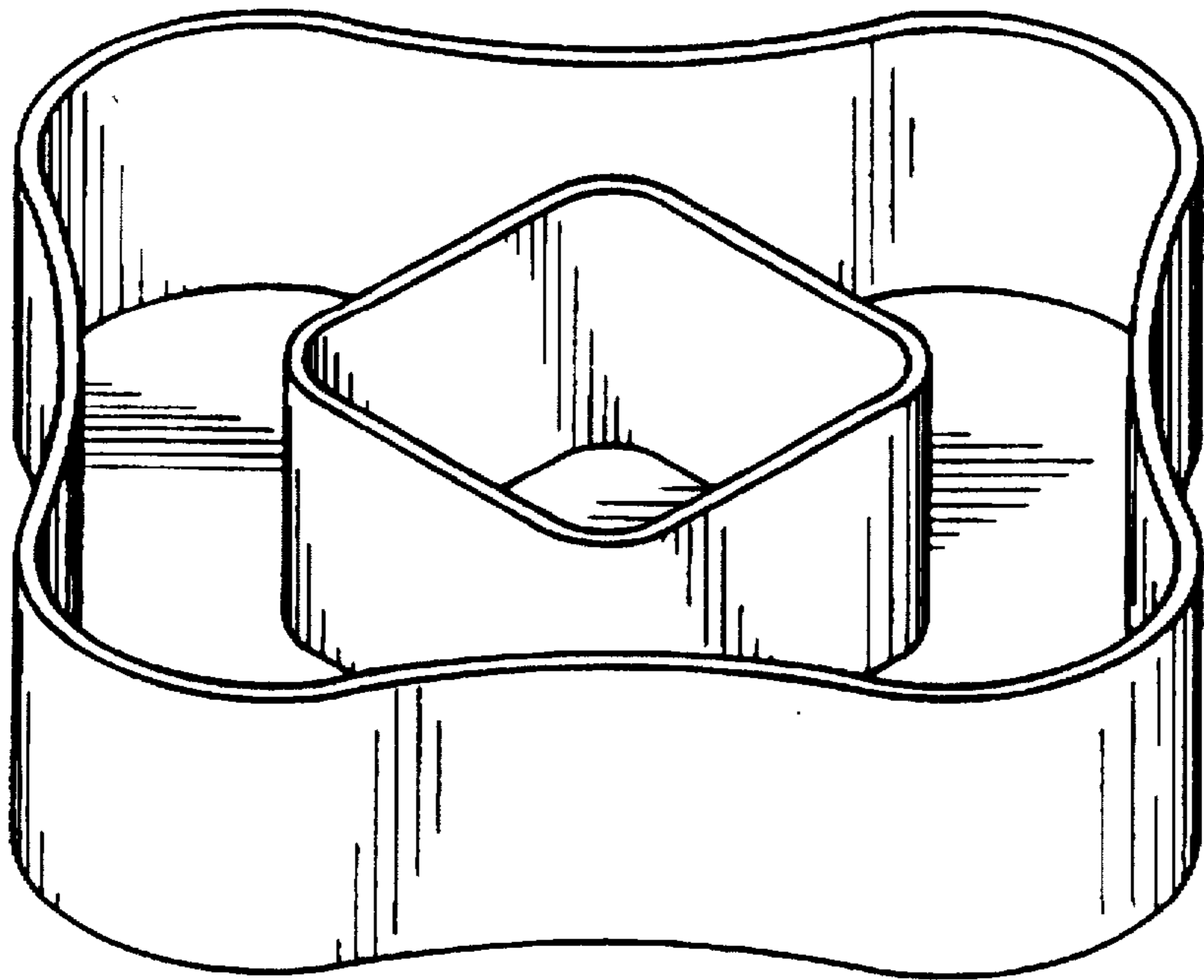


FIG. 2



FIG. 4

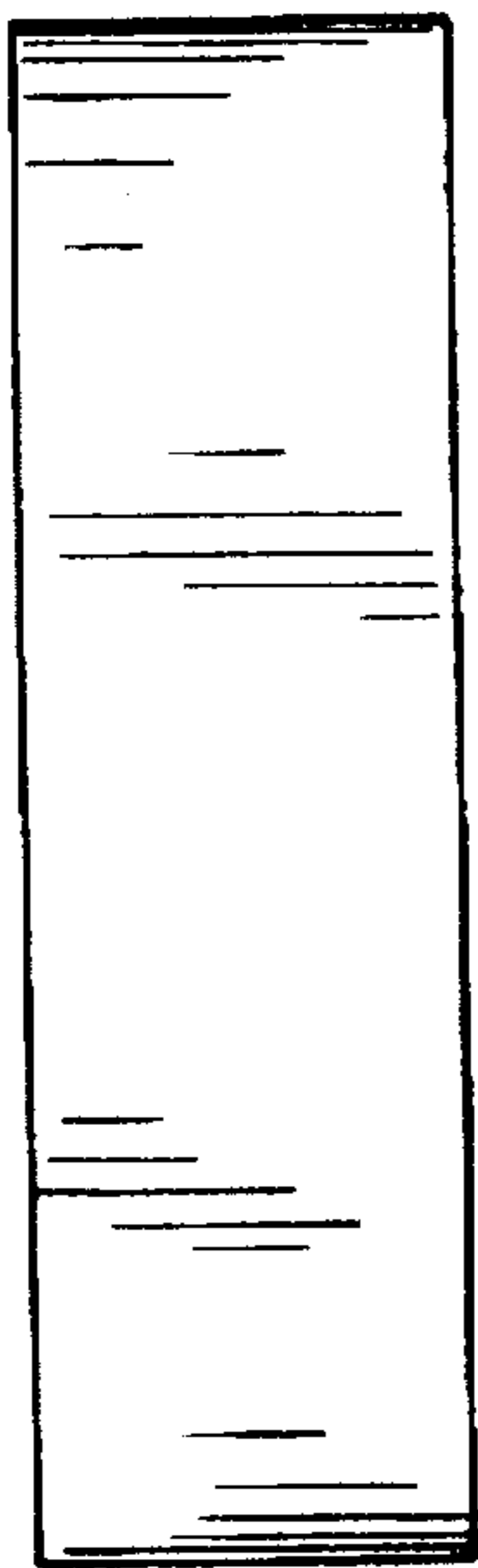


FIG. 3

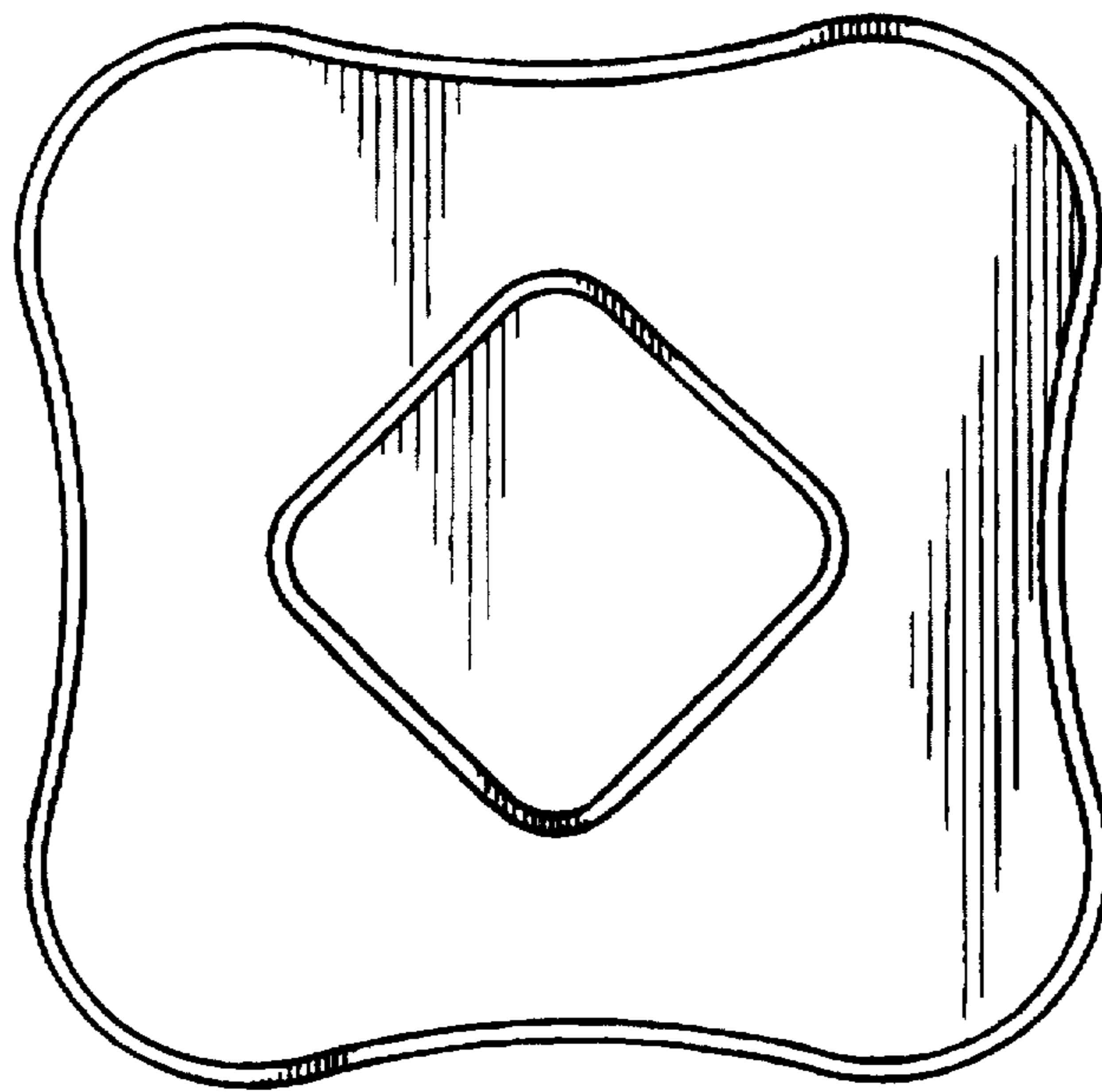


FIG. 7

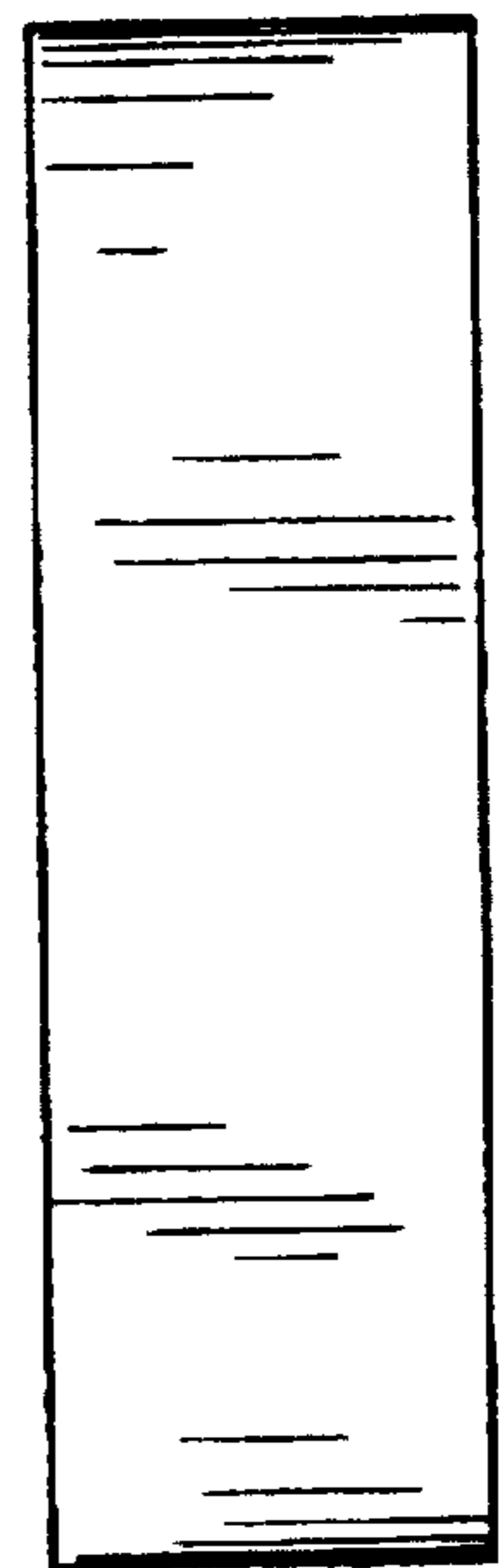


FIG. 6

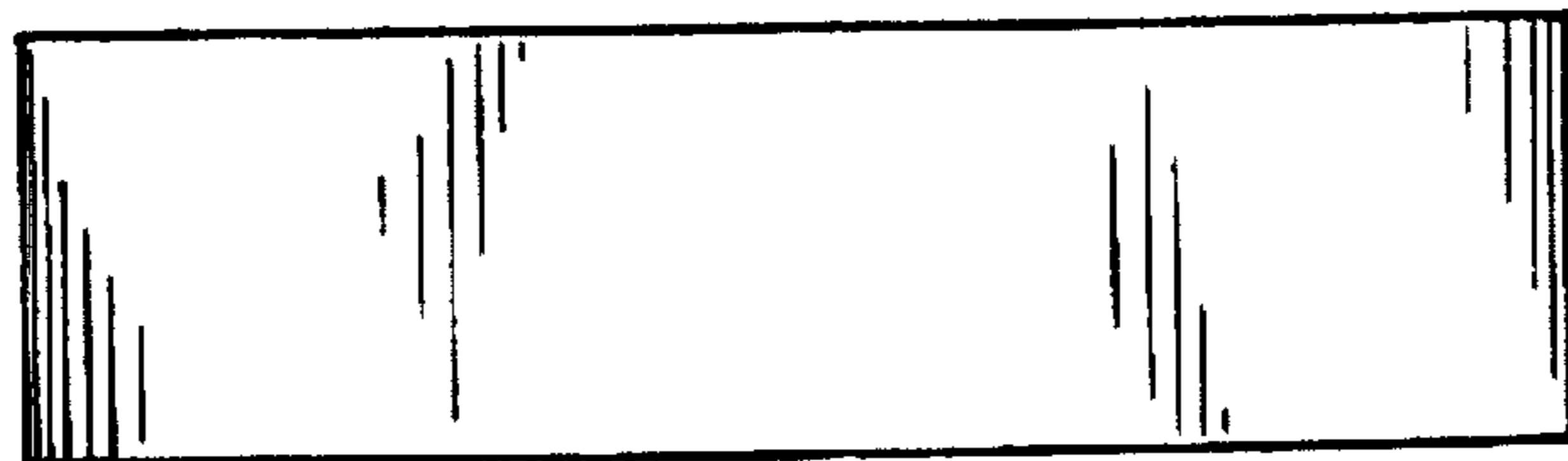


FIG. 5