



US00D394286S

# United States Patent [19]

Hirose et al.

[11] Patent Number: Des. 394,286

[45] Date of Patent: \*\*May 12, 1998

[54] **SPRING-DRIVEN MOTOR FOR CONSTRUCTION TOY**

[76] Inventors: **Tomiyuki Hirose**, Apt. 402, 7-12-2 Nishiogu, Arakawa-Ku, Tokyo 116, Japan; **Joel Glickman**, 1777 Oak Hill Dr., Huntington Valley, Pa. 19006

[\*\*] Term: **14 Years**

[21] Appl. No.: **49,117**

[22] Filed: **Jan. 18, 1996**

[51] LOC (6) Cl. .... **21-01**

[52] U.S. Cl. .... **D21/108; D21/125; D21/141**

[58] **Field of Search** ..... D21/59, 109, 108, D21/124, 125, 136, 137, 141; 446/16, 90, 93, 103, 104, 121, 128, 457, 463, 470, 471

[56] **References Cited**

**U.S. PATENT DOCUMENTS**

D. 211,806	7/1968	Genin	.....	D21/124
D. 217,272	4/1970	Genin	.....	D21/125
D. 383,509	9/1997	Karasaw et al.	.....	D21/108
1,763,302	6/1930	Gilbert	.....	D21/108
4,057,929	11/1977	Ogawa	.....	446/90
4,470,219	9/1984	Sugimoto	.....	446/471

4,813,903	3/1989	Furukawa et al.	.....	446/90
5,090,934	2/1992	Quercetti	.....	446/471
5,135,428	8/1992	Shibayama et al.	.....	446/471
5,154,615	10/1992	Joubert	.....	446/90
5,346,420	9/1994	Glickman	.....	446/90

*Primary Examiner*—Raphael Barkai  
*Attorney, Agent, or Firm*—Schweitzer Cornman Gross & Bondell LLP

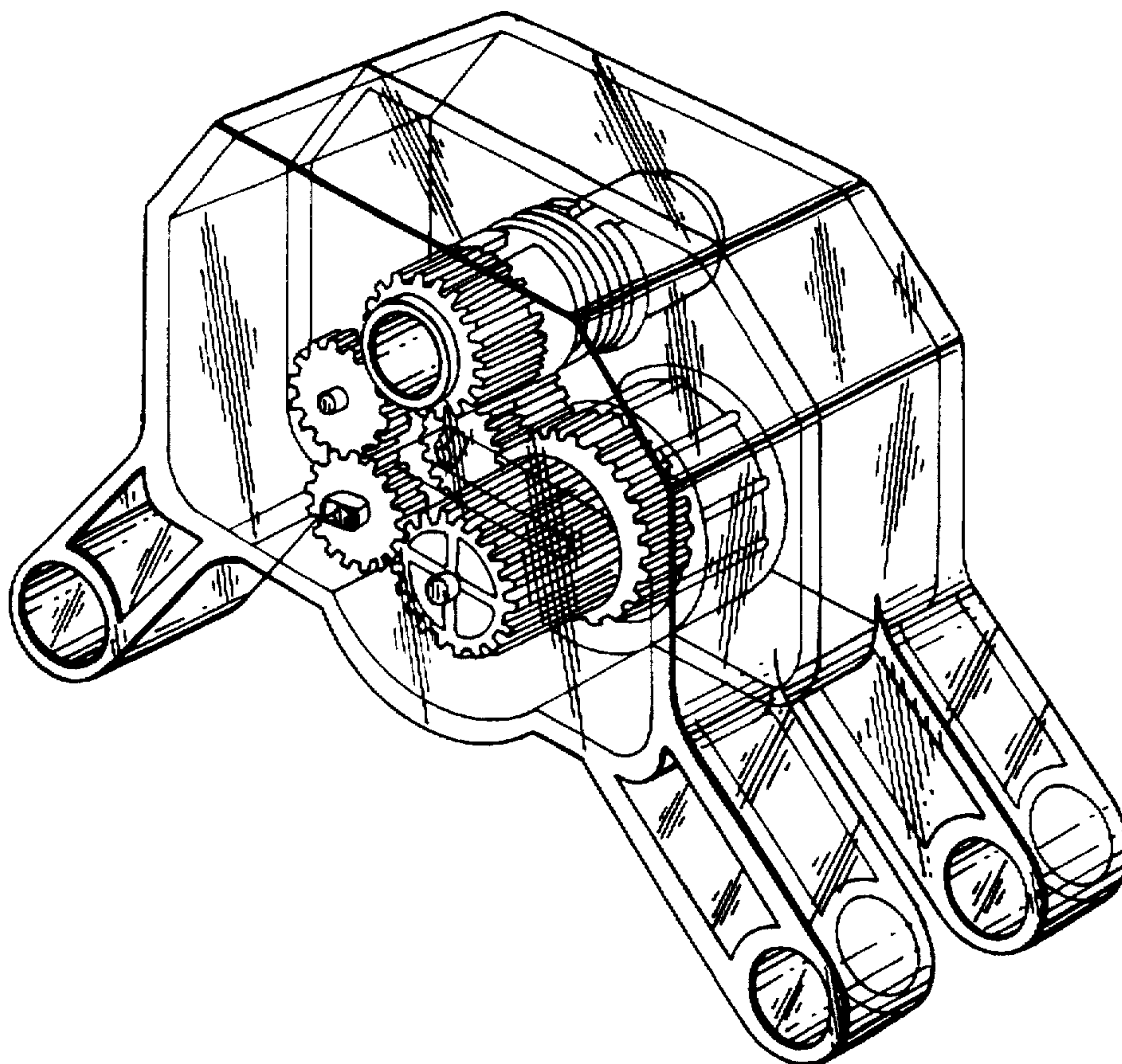
[57] **CLAIM**

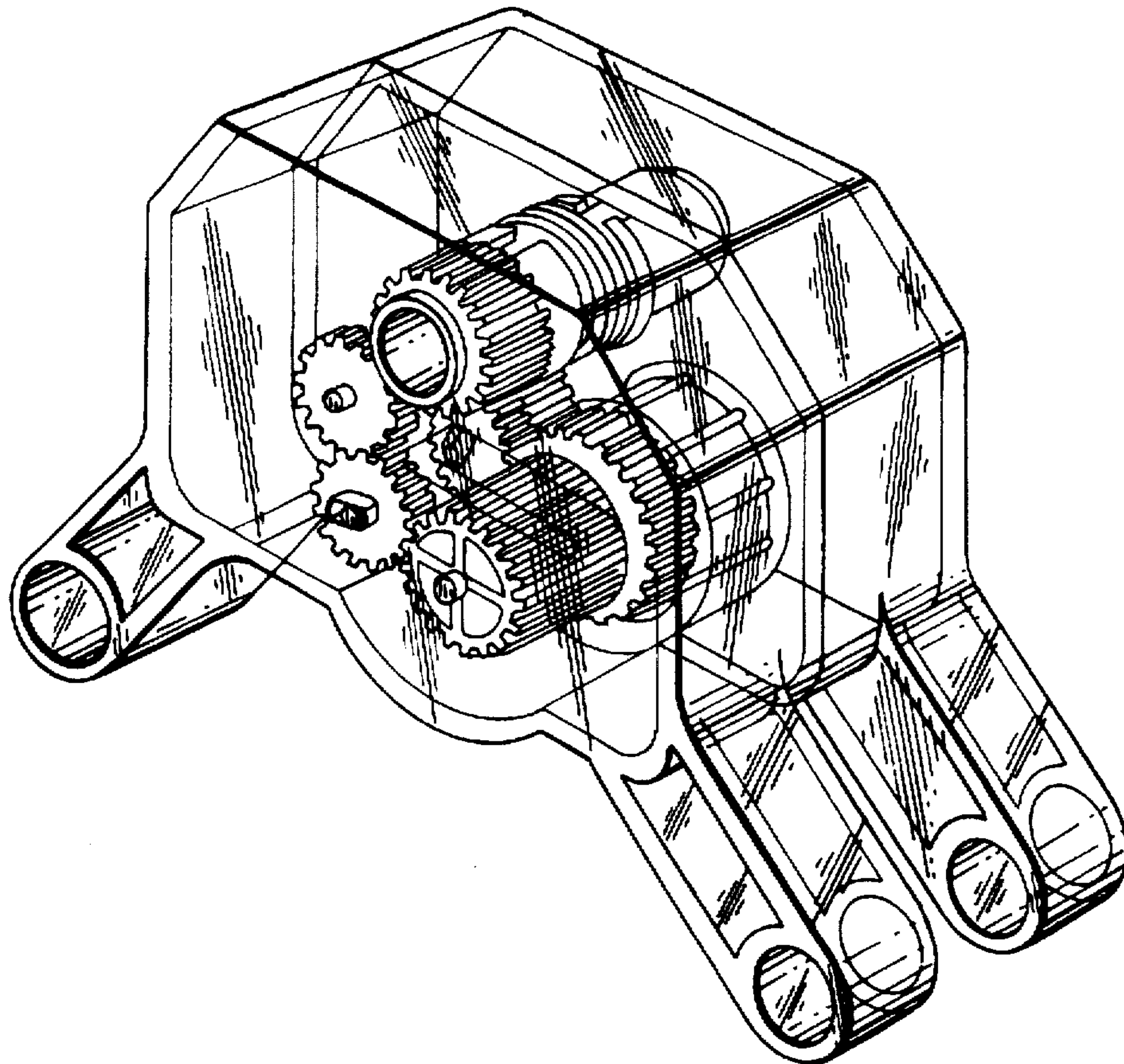
The ornamental design for a spring-driven motor for construction toy, as shown and described.

**DESCRIPTION**

FIG. 1 is a perspective view of the spring-driven motor for construction toy incorporating our new design;  
FIG. 2 is a top plan view thereof;  
FIG. 3 is a side elevation thereof taken from a first side;  
FIG. 4 is an end elevation thereof taken from a first end;  
FIG. 5 is a side elevational view thereof taken from a second side;  
FIG. 6 is an end elevational view thereof, taken from the second end; and,  
FIG. 7 is a bottom view thereof.  
The motor housing is transparent and is shaded accordingly.

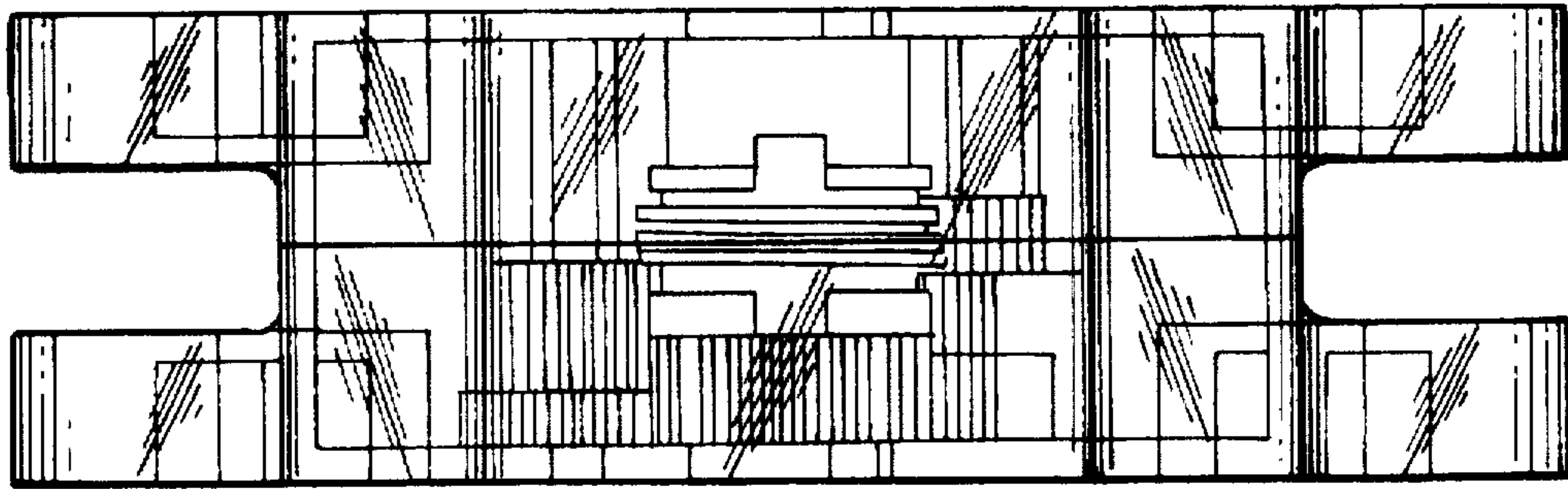
**1 Claim, 4 Drawing Sheets**



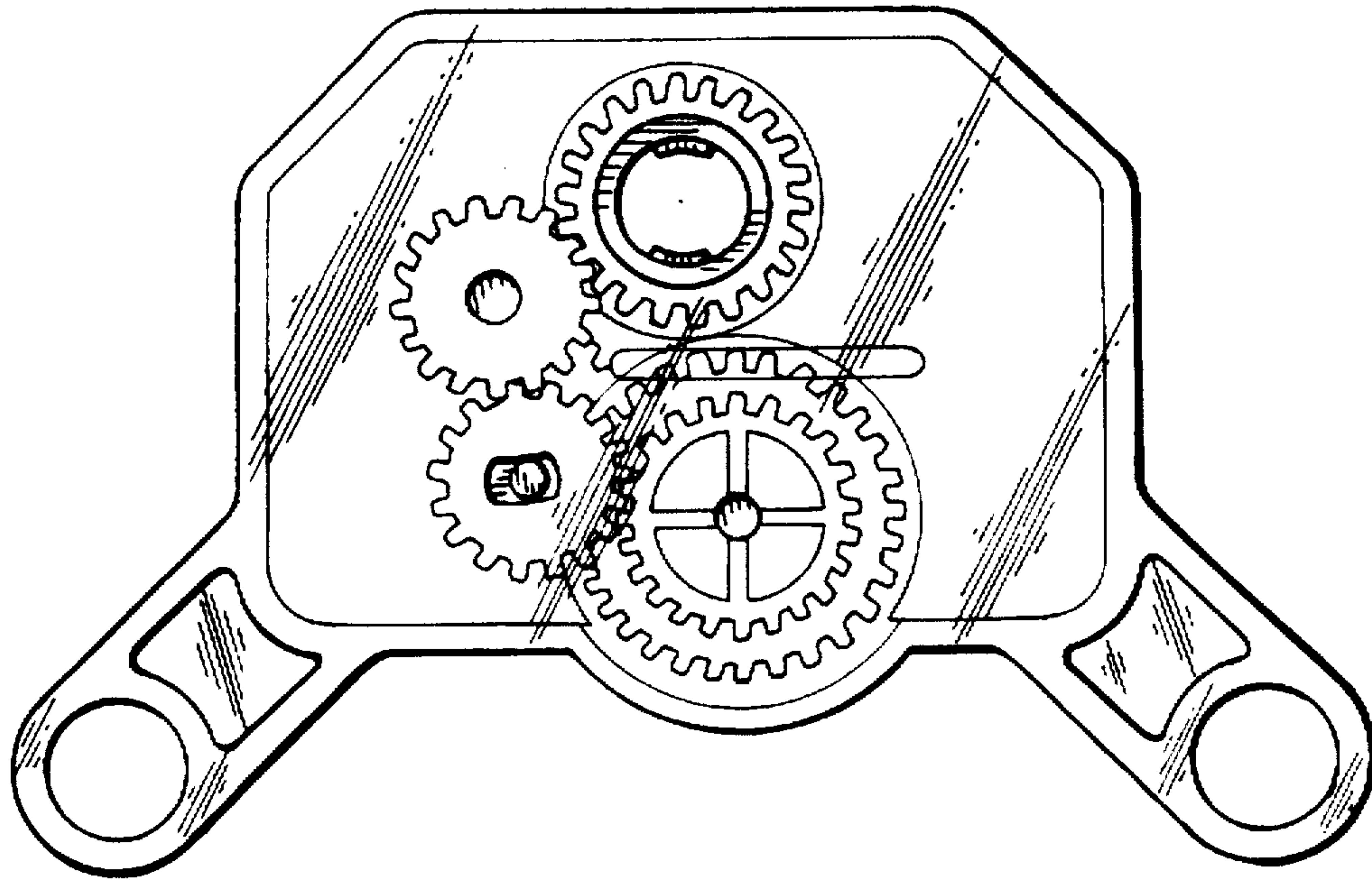


*FIG. 1*

*FIG. 2*

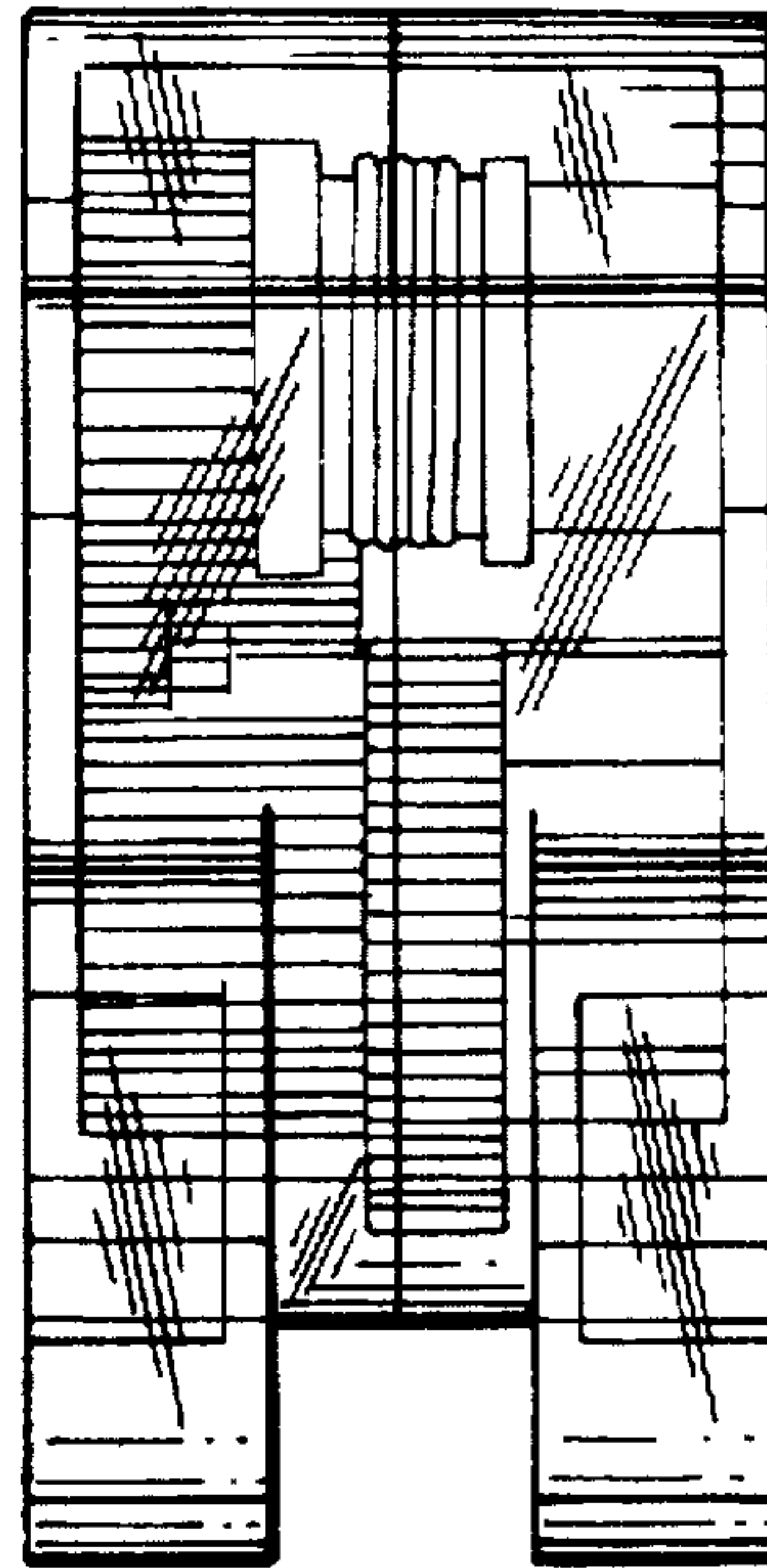


*FIG. 3*

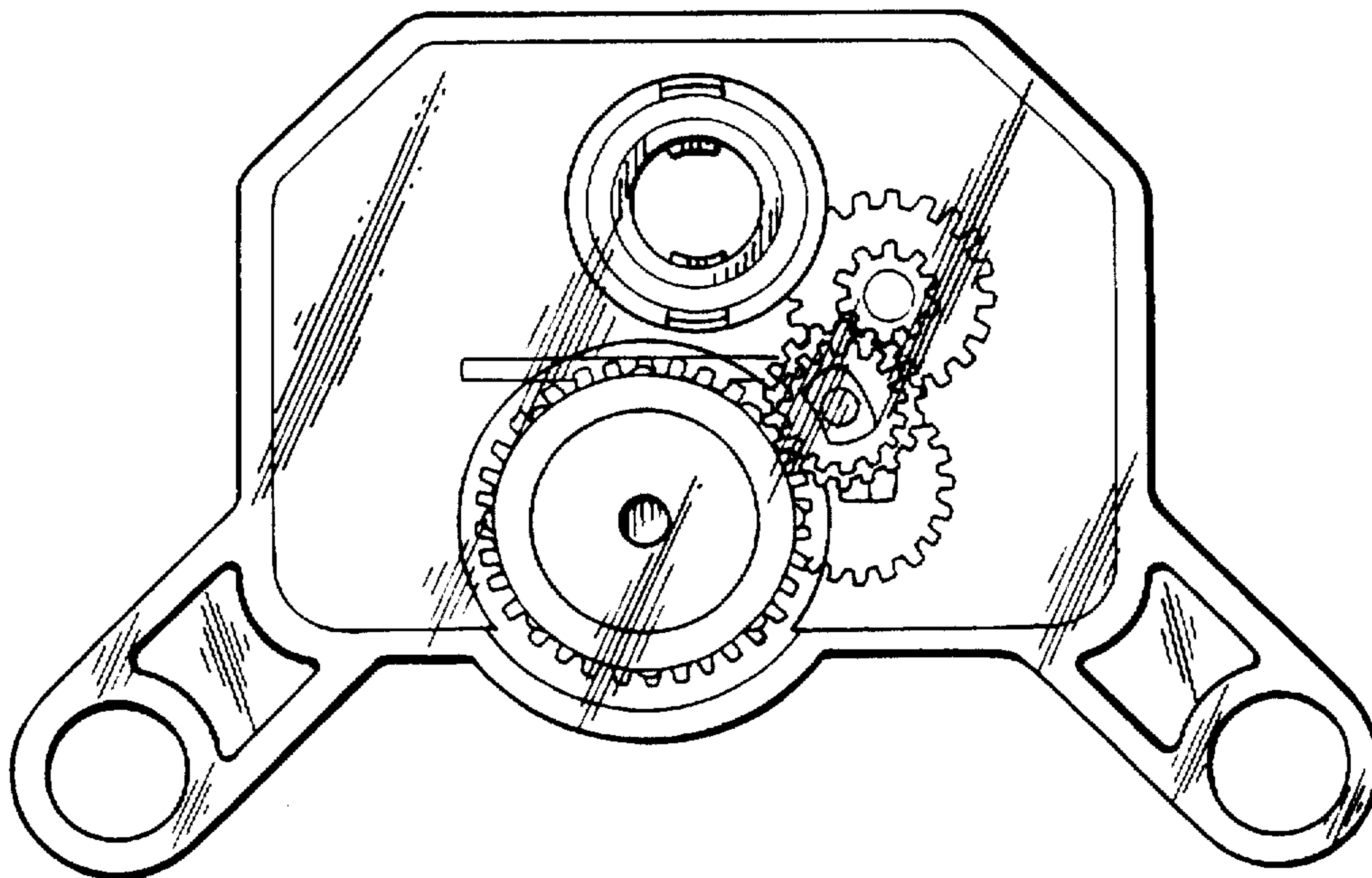




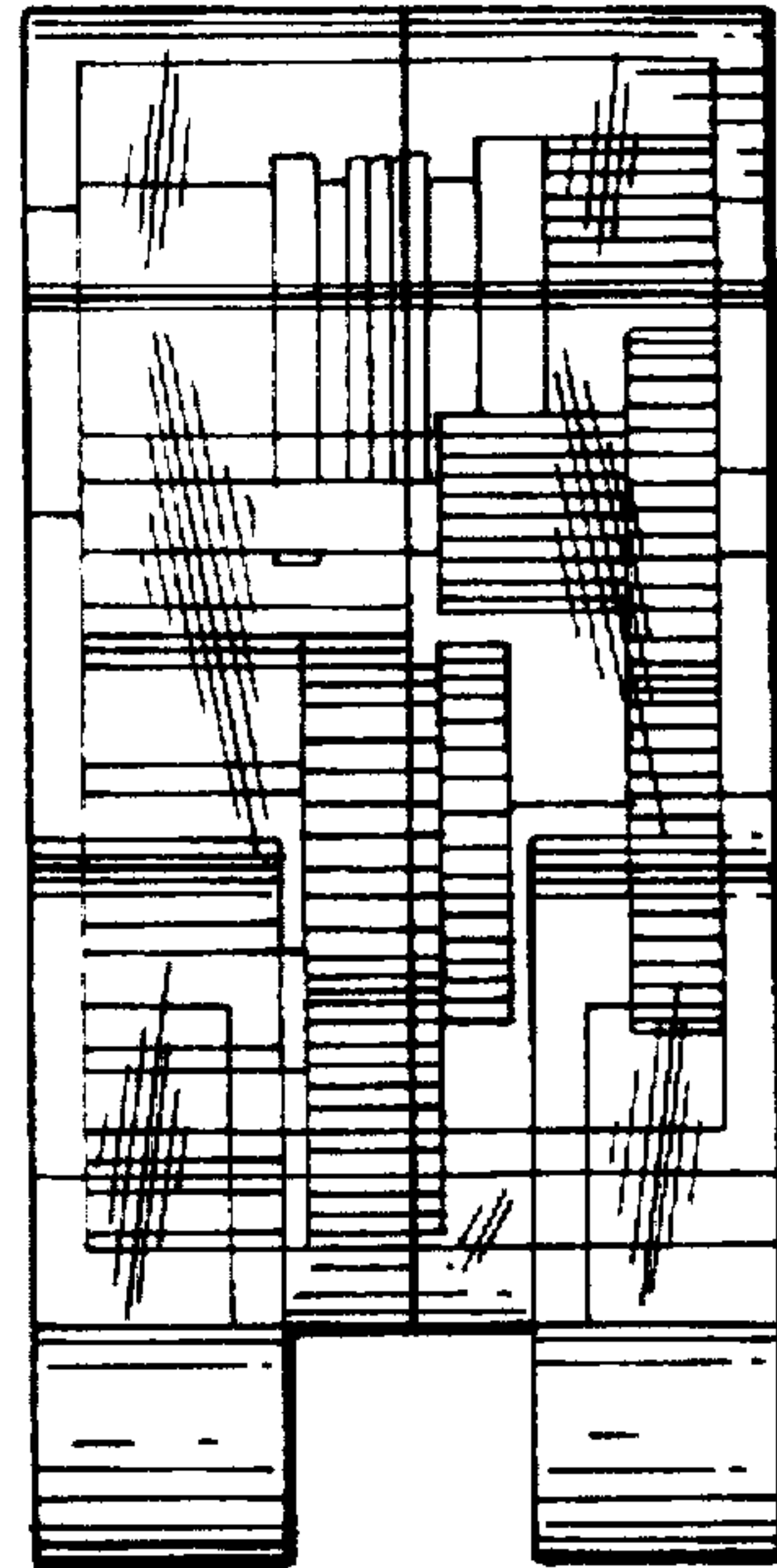
*FIG. 4*



*FIG. 5*



*FIG. 6*



*FIG. 7*

