



US00D394284S

United States Patent [19]
Augenstein

[11] **Patent Number: Des. 394,284**
[45] **Date of Patent: **May 12, 1998**

[54] **LOTTO TOY**

4,902,013 2/1990 Salerno 273/144 B
5,318,299 6/1994 Beaster et al. 273/280

[76] **Inventor: Leonhard Augenstein, Ungsteiner**
Strasse 3, D-81539 Munchen, Germany

Primary Examiner—Sandra L. Morris
Attorney, Agent, or Firm—Clifford W. Browning; Woodard,
Emhardt, Naughton, Moriarty & McNett

[**] **Term: 14 Years**

[21] **Appl. No.: 53,260**

[57] **CLAIM**

[22] **Filed: Apr. 18, 1996**

The ornamental design for a lotto toy, as shown and described.

[30] **Foreign Application Priority Data**

DESCRIPTION

Oct. 19, 1995 [DE] Germany M 95 08 442.8

[51] **LOC (6) Cl. 21-02**

FIG. 1 is a perspective view of a transparent bottom portion of a lotto toy, showing my new design;

[52] **U.S. Cl. D21/37; D21/136**

FIG. 2 is a top plan view of the transparent bottom portion of FIG. 1.

[58] **Field of Search D21/8, 14-36,**
D21/37, 51, 186; 273/145 A, 144 B, 148 R,
236-285; D7/595; D9/318; D11/134

FIG. 3 is a front elevation view of the transparent bottom portion of FIG. 1, the rear elevation view being a mirror image thereof;

[56] **References Cited**

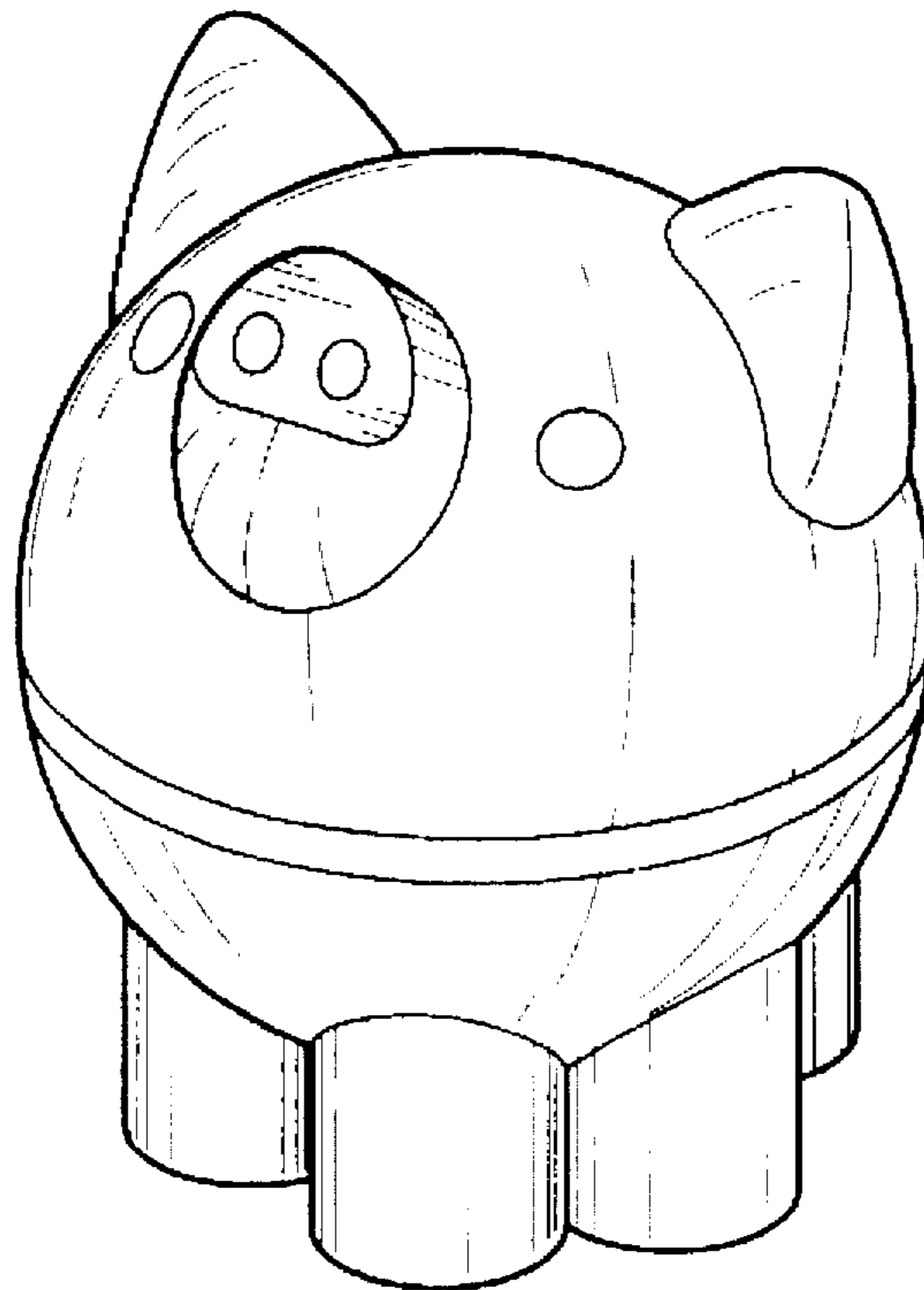
FIG. 4 is a right side elevation view of the transparent bottom portion of FIG. 1, the left side elevation view being a mirror image thereof; and,

U.S. PATENT DOCUMENTS

D. 135,785 6/1943 Ganz D7/595
D. 137,120 1/1944 Lenhart D11/158
D. 155,071 9/1949 Borrok D11/158
D. 258,366 2/1981 Ward D21/8
D. 302,942 8/1989 Ferrero D21/186

FIG. 5 is a perspective view of both the top and bottom portion of the lotto toy.

1 Claim, 3 Drawing Sheets



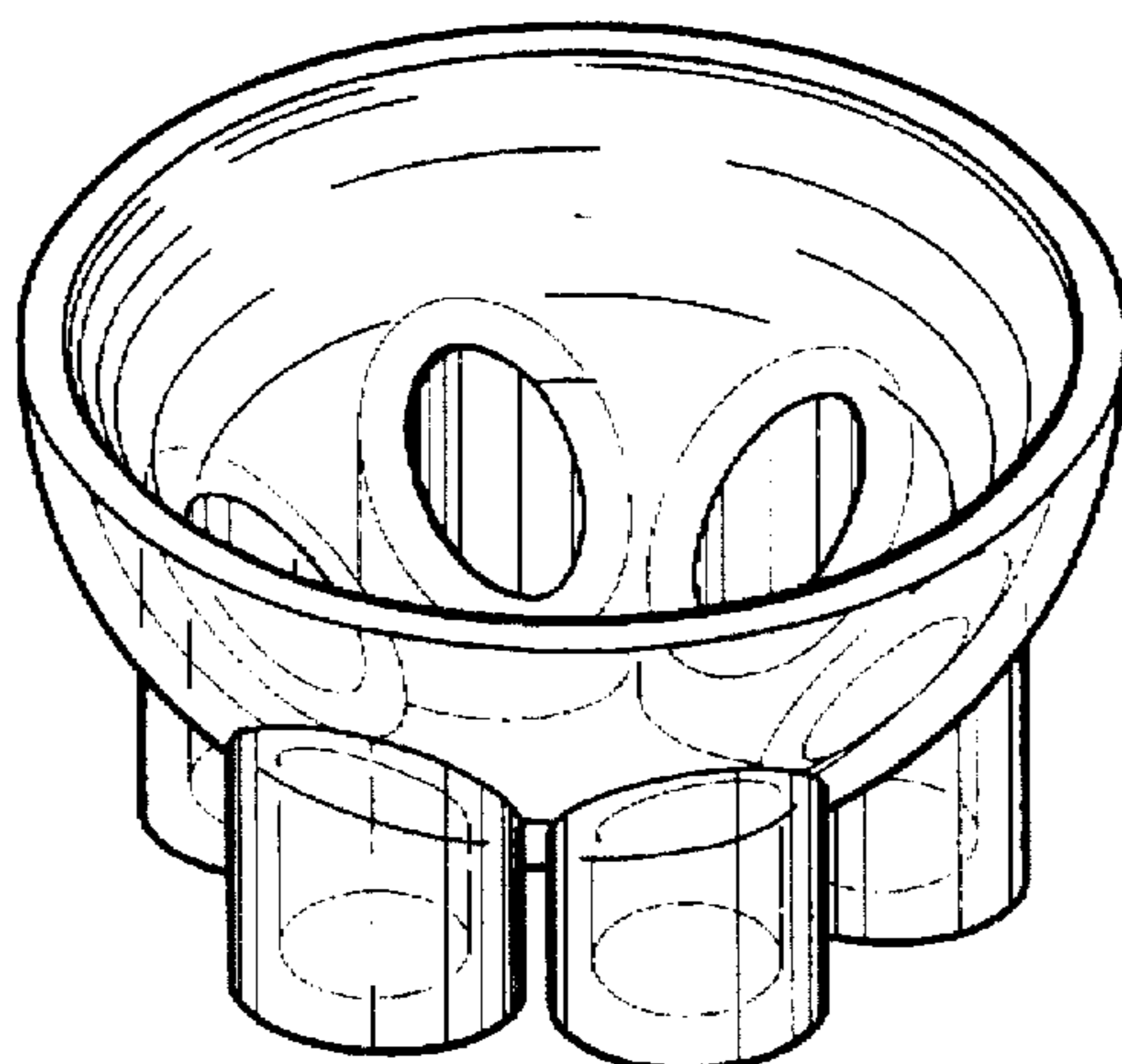


Fig. 1

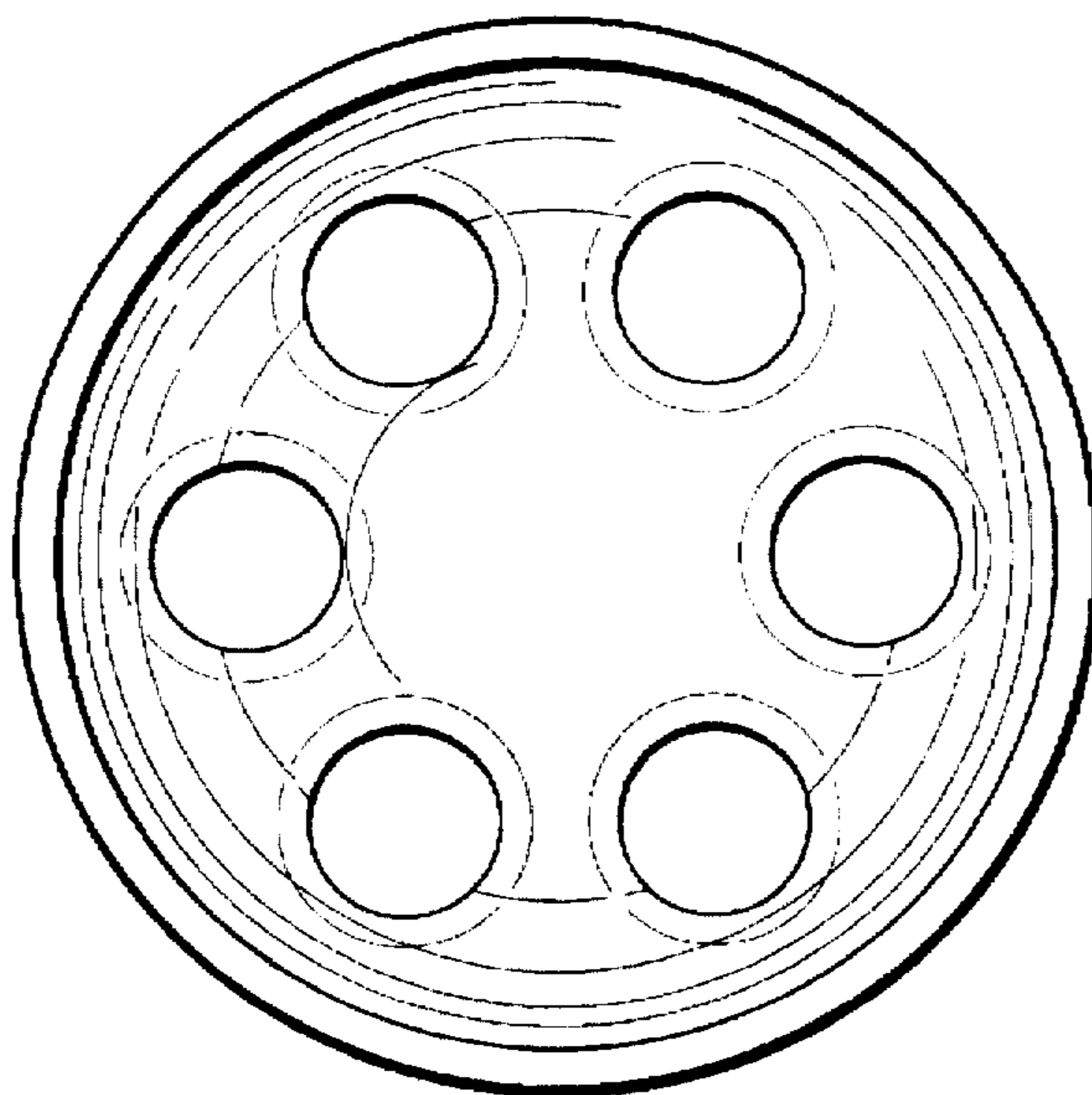


Fig. 2

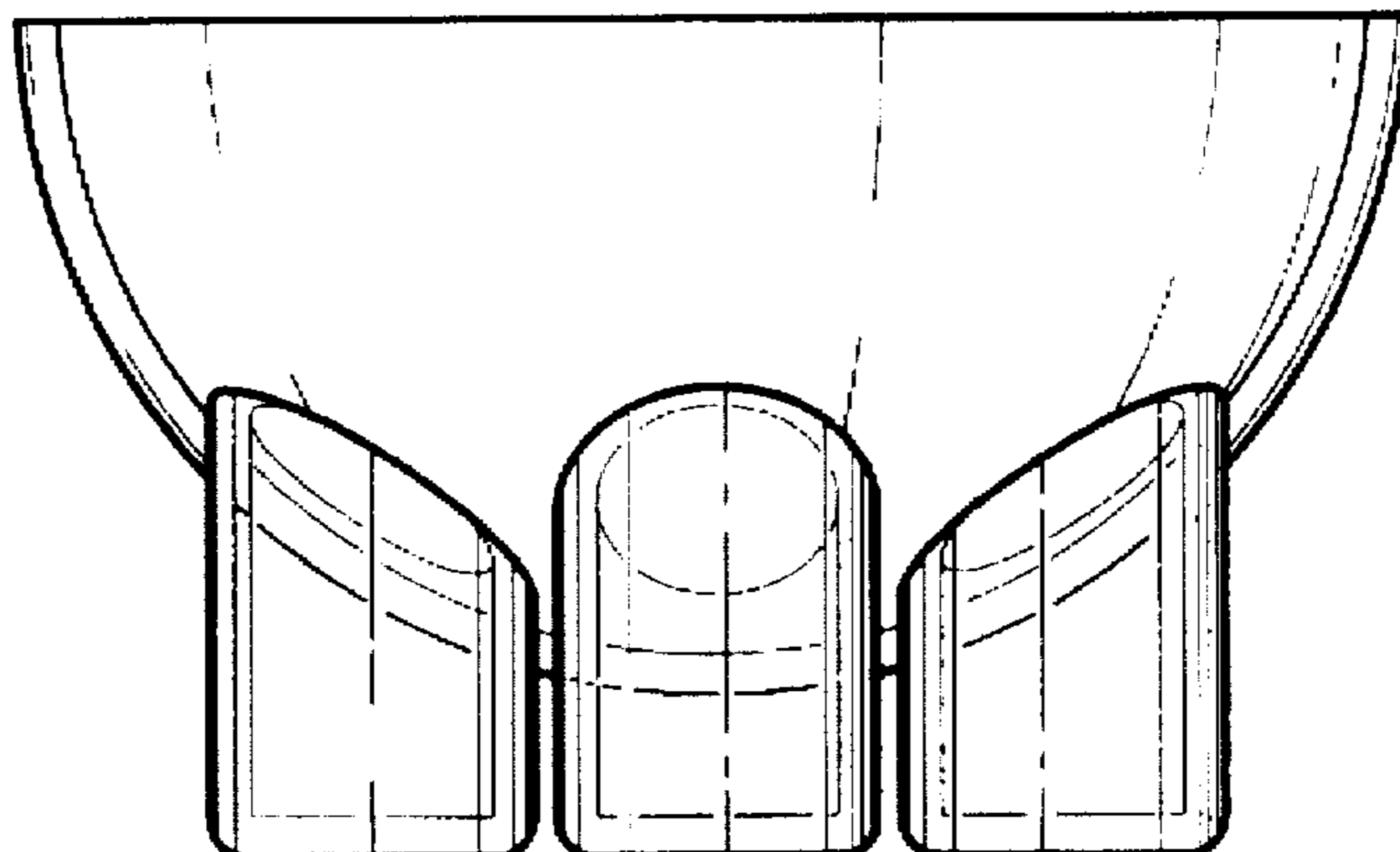


Fig. 3

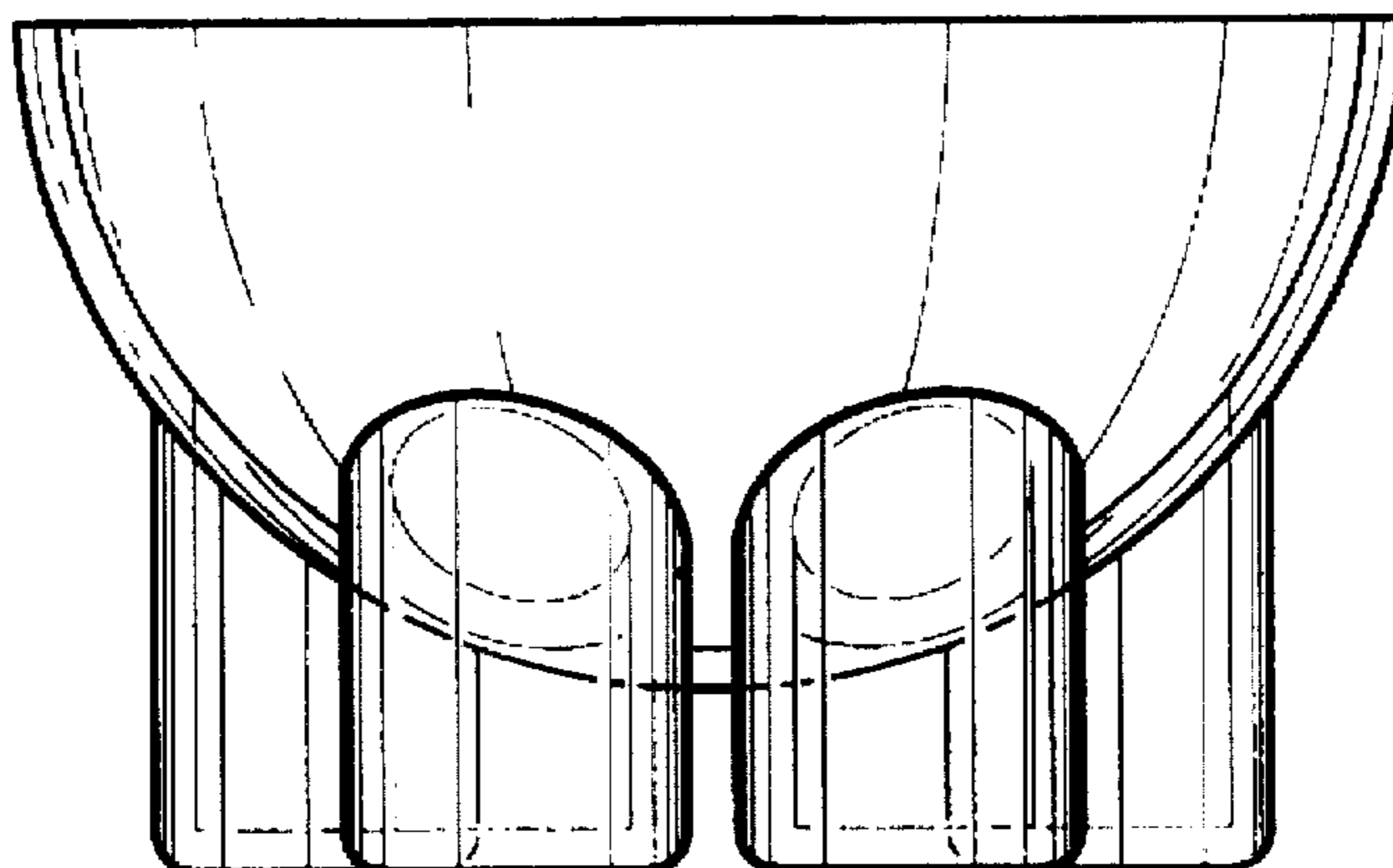


Fig. 4

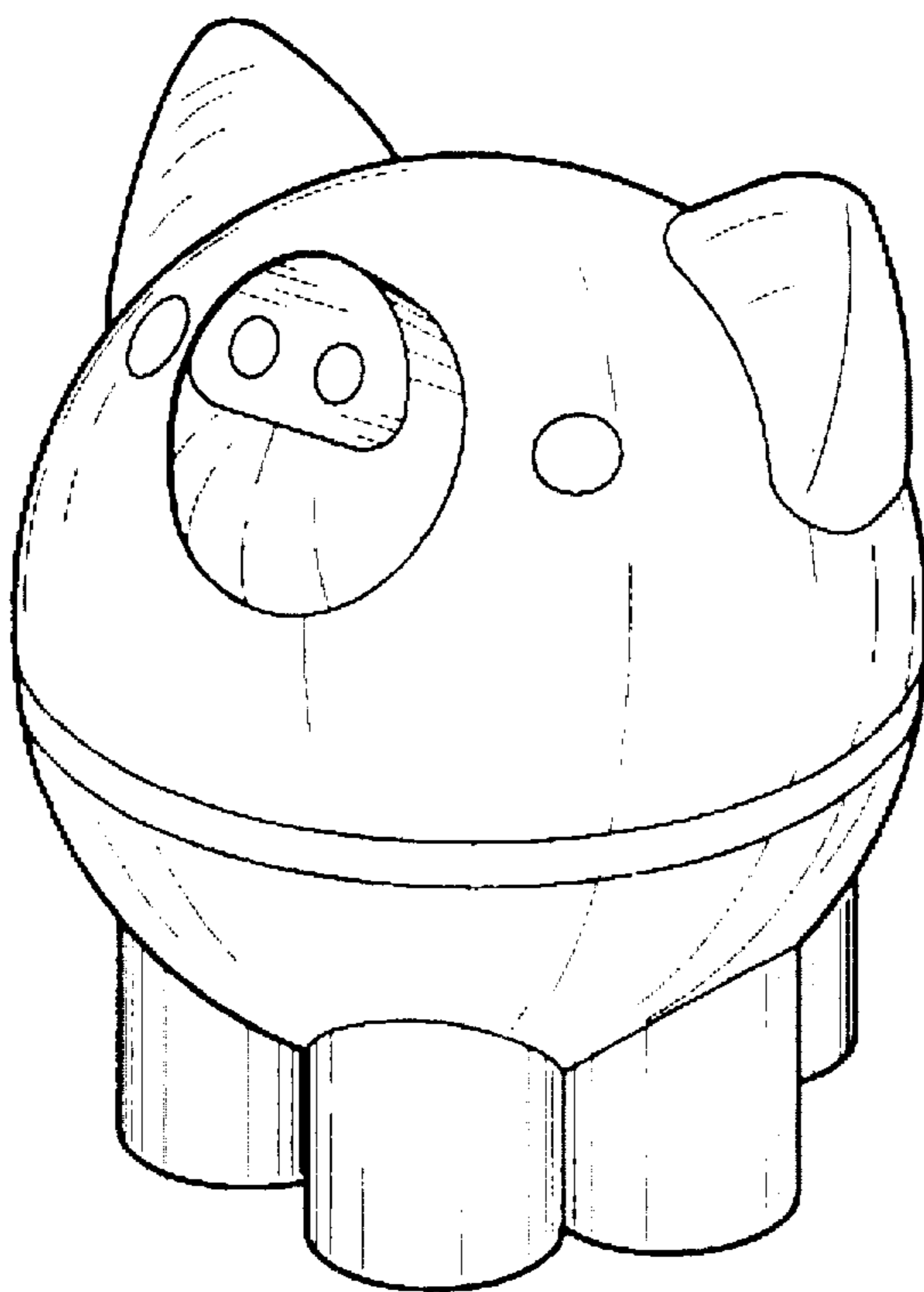


Fig. 5