



US00D394281S

United States Patent [19]

Miller

[11] Patent Number: Des. 394,281

[45] Date of Patent: **May 12, 1998

[54] EMERGENCY SIGN FOR VEHICLES

4,974,354 12/1990 Hembrook, Jr. 40/546

[76] Inventor: **Dougald Miller**, 9524-114 Avenue, Apt. #4, Edmonton, Alberta, Canada, T5G 0K7

Primary Examiner—Susan J. Lucas
Assistant Examiner—Jennifer Register

[**] Term: 14 Years

[57] CLAIM

[21] Appl. No.: 65,120

The ornamental design for an emergency sign for vehicles, as shown and described.

[22] Filed: Jan. 21, 1997

DESCRIPTION

[51] LOC (6) Cl. 10-05

[52] U.S. Cl. D20/10; D10/114

[58] Field of Search D20/10, 12, 19, D20/42, 43, 29; 40/584, 546, 591; D26/30, 31; 362/80.1, 812, 362; D11/121; D10/114, 104

In FIGS. 1, 2, 4, 5 and 6, the cord is shown broken away to indicate indeterminate length;
FIG. 1 is a front elevational view of the emergency sign for vehicles showing my new design;
FIG. 2 is a rear elevational view thereof;
FIG. 3 is a right side view thereof;
FIG. 4 is a left side view thereof;
FIG. 5 is a top plan view thereof; and
FIG. 6 is a bottom plan view thereof.
The cord is fragmentarily shown for convenience of illustration.

[56] References Cited

U.S. PATENT DOCUMENTS

- D. 315,113 3/1991 Faulkner D10/114
- D. 360,654 7/1995 Castilloux D20/42

1 Claim, 3 Drawing Sheets

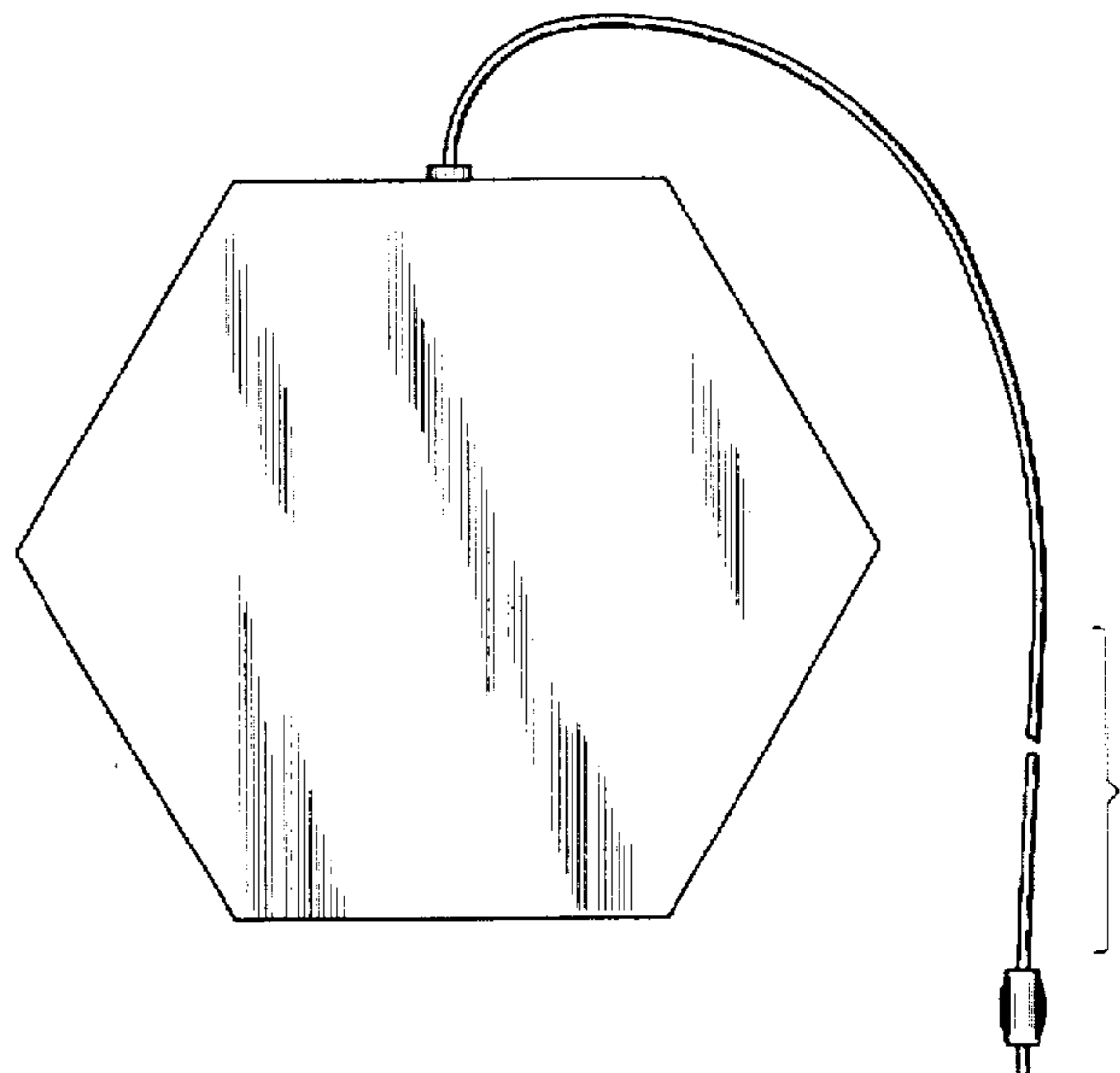
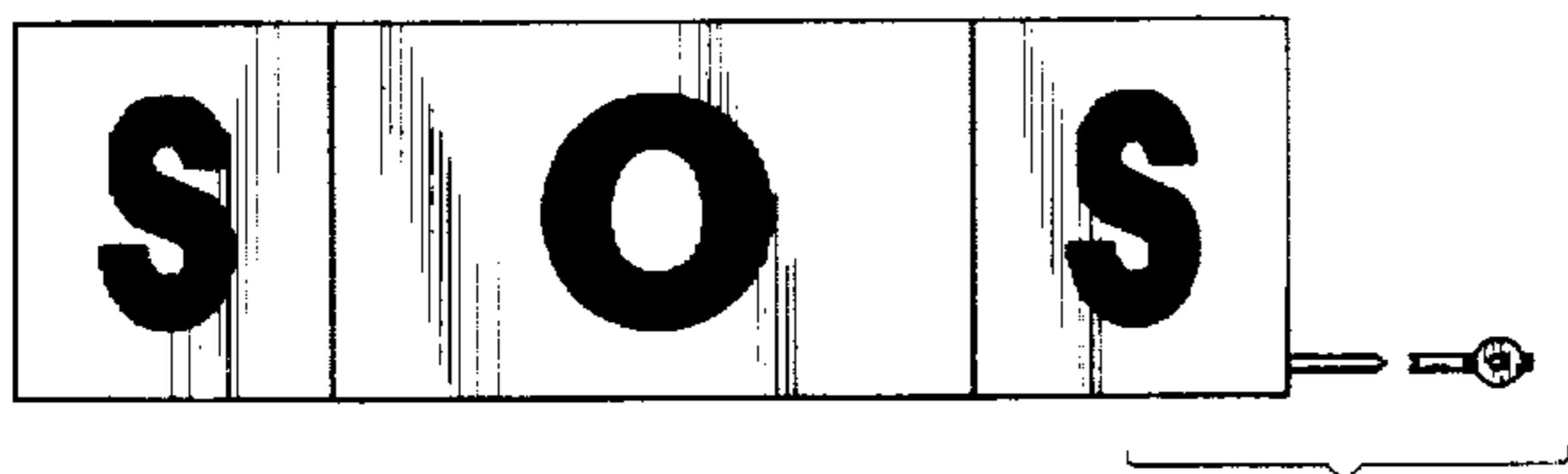


FIG. 1

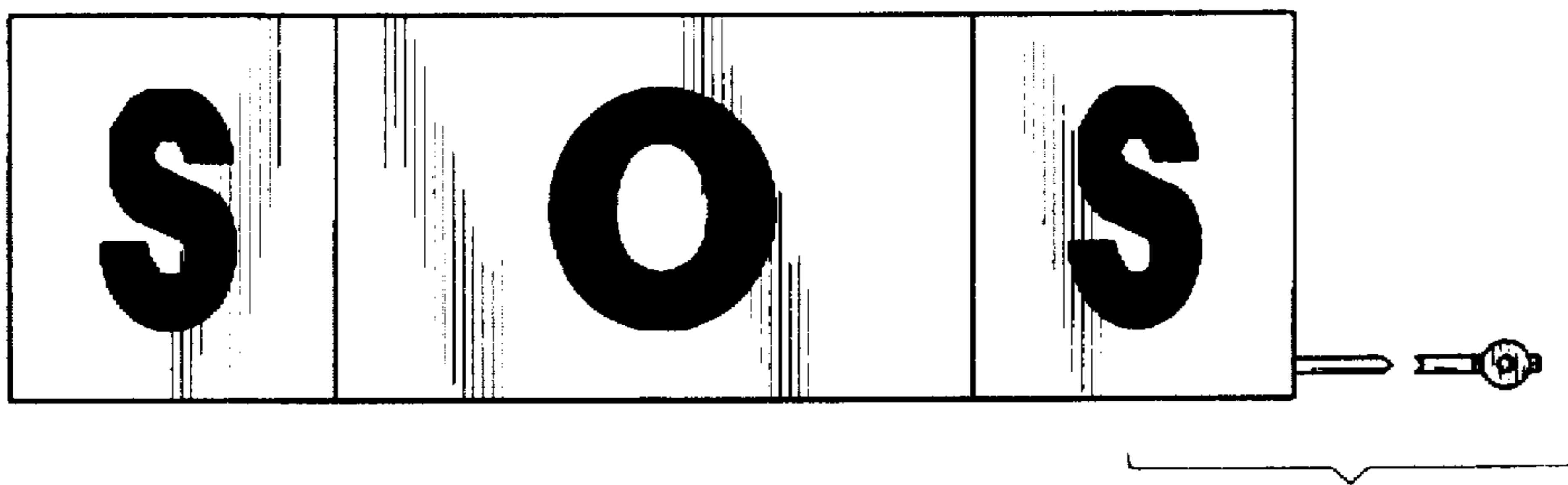


FIG. 2

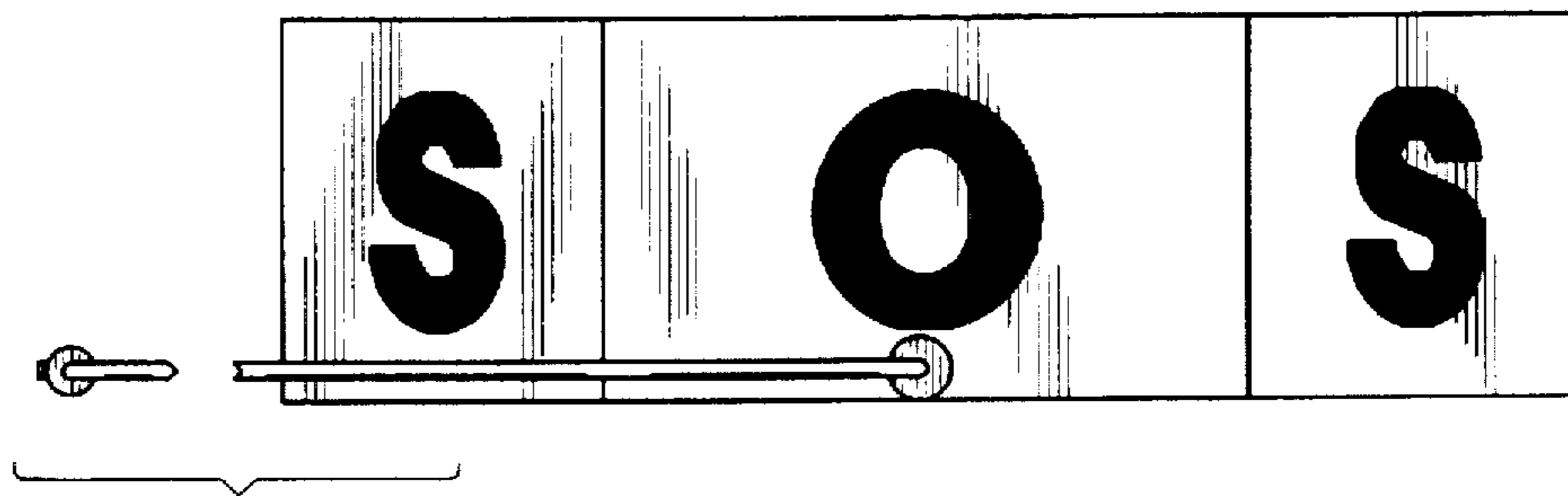


FIG. 3

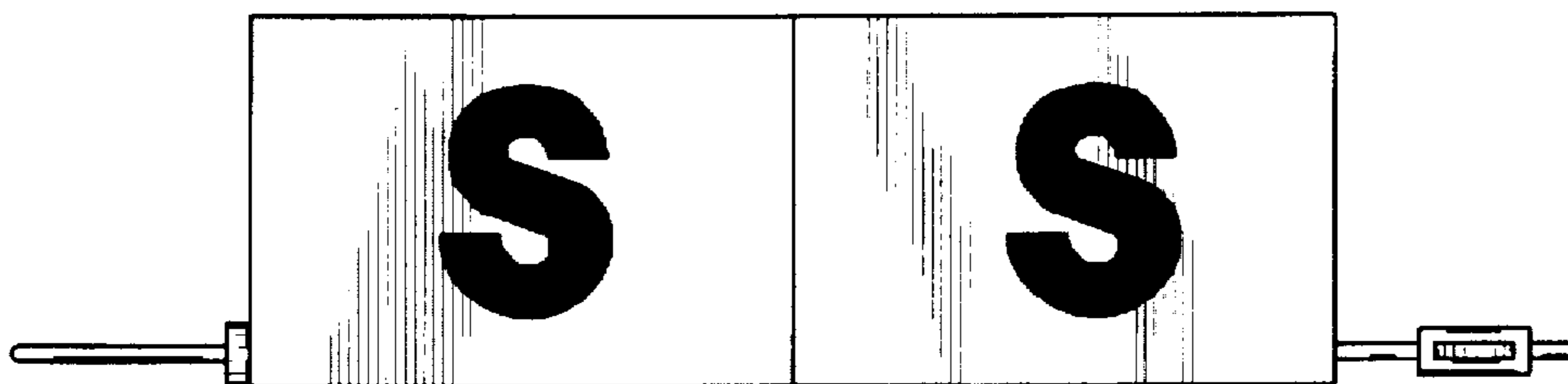


FIG. 4

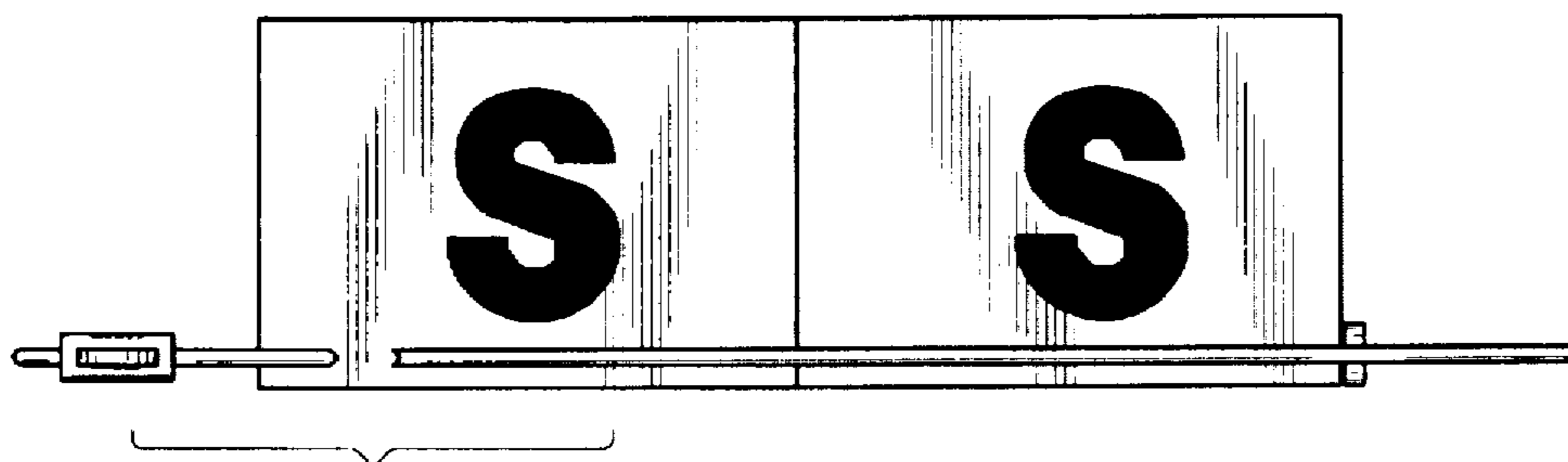


FIG. 5

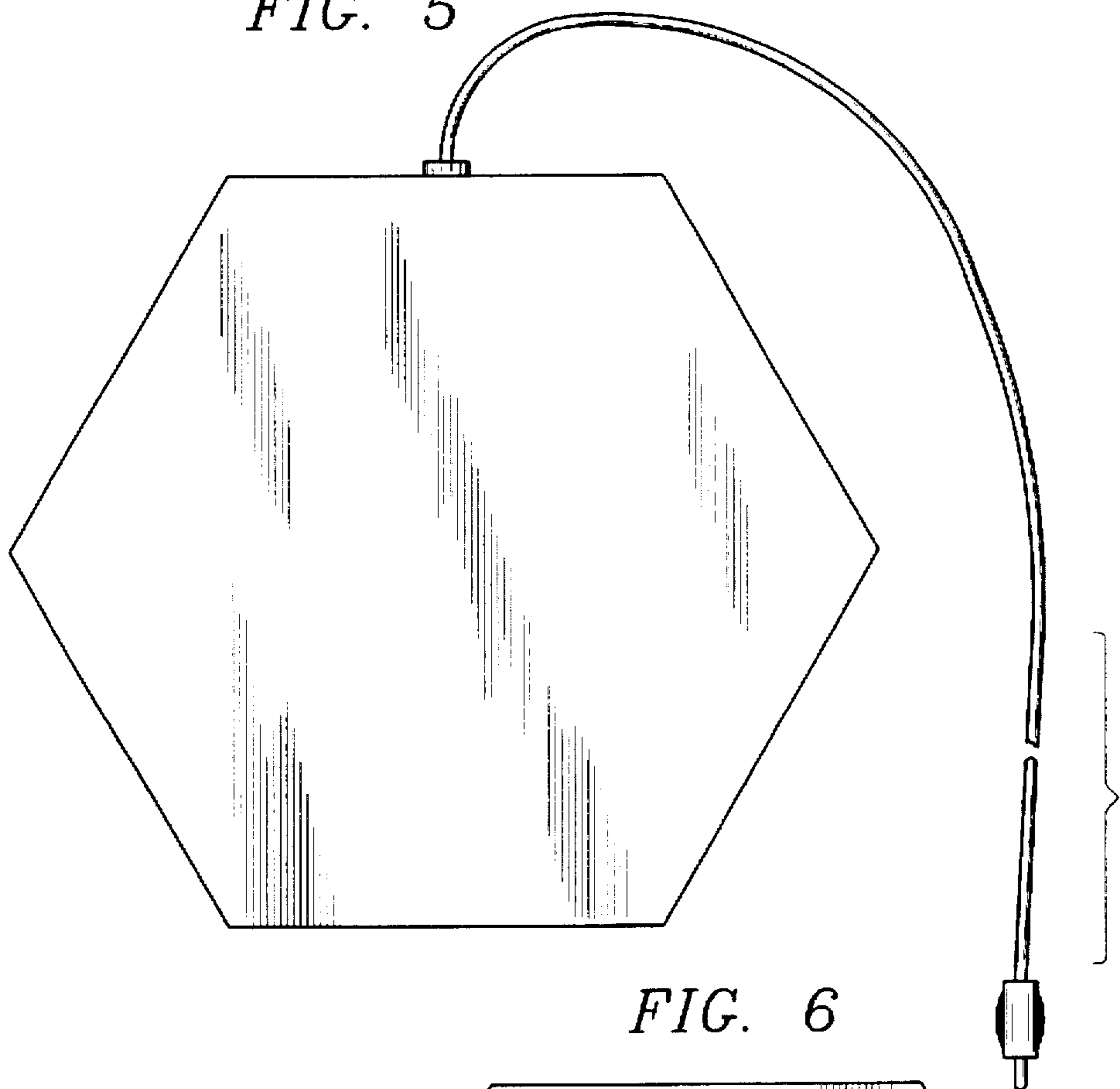


FIG. 6

