



US00D394273S

United States Patent [19]

Ishii

[11] Patent Number: Des. 394,273

[45] Date of Patent: **May 12, 1998

[54] VIDEO CAMERA COMBINED WITH VIDEO TAPE RECORDER

[75] Inventor: Daisuke Ishii, Tokyo, Japan

[73] Assignee: Sony Kabushiki Kaisha, Tokyo, Japan

[**] Term: 14 Years

[21] Appl. No.: 49,476

[22] Filed: Jan. 26, 1996

[51] LOC (6) Cl. 16-01

[52] U.S. Cl. D16/202

[58] Field of Search D16/200-208; 348/373-376; 352/242, 243; 358/906; 396/535-543

[56] References Cited

U.S. PATENT DOCUMENTS

D. 365,586	12/1995	Miyashita	D16/202
D. 375,108	10/1996	Harata	D16/202
D. 381,995	8/1997	Sumita	D16/202
D. 381,996	8/1997	Kobayashi	D16/202
5,499,052	3/1996	Nakanishi et al.	348/373

OTHER PUBLICATIONS

Video Magazine, p. 91 (Hitachi VMH-39A Jan. 1993).

Primary Examiner—Sandra L. Morris

Assistant Examiner—Adir Aronovich

Attorney, Agent, or Firm—Morgan & Finnegan LLP

[57] CLAIM

The ornamental design for a video camera combined with video tape recorder, as shown and described.

DESCRIPTION

FIG. 1 is a front elevational view of a video camera with video tape recorder showing my new design;

FIG. 2 is a left side elevation view of the video camera of FIG. 1;

FIG. 3 is a rear elevation view of the video camera of FIG. 1;

FIG. 4 is a right side elevation view of the video camera of FIG. 1;

FIG. 5 is a top plan view of the video camera of FIG. 1;

FIG. 6 is a bottom plan view of the video camera of FIG. 1;

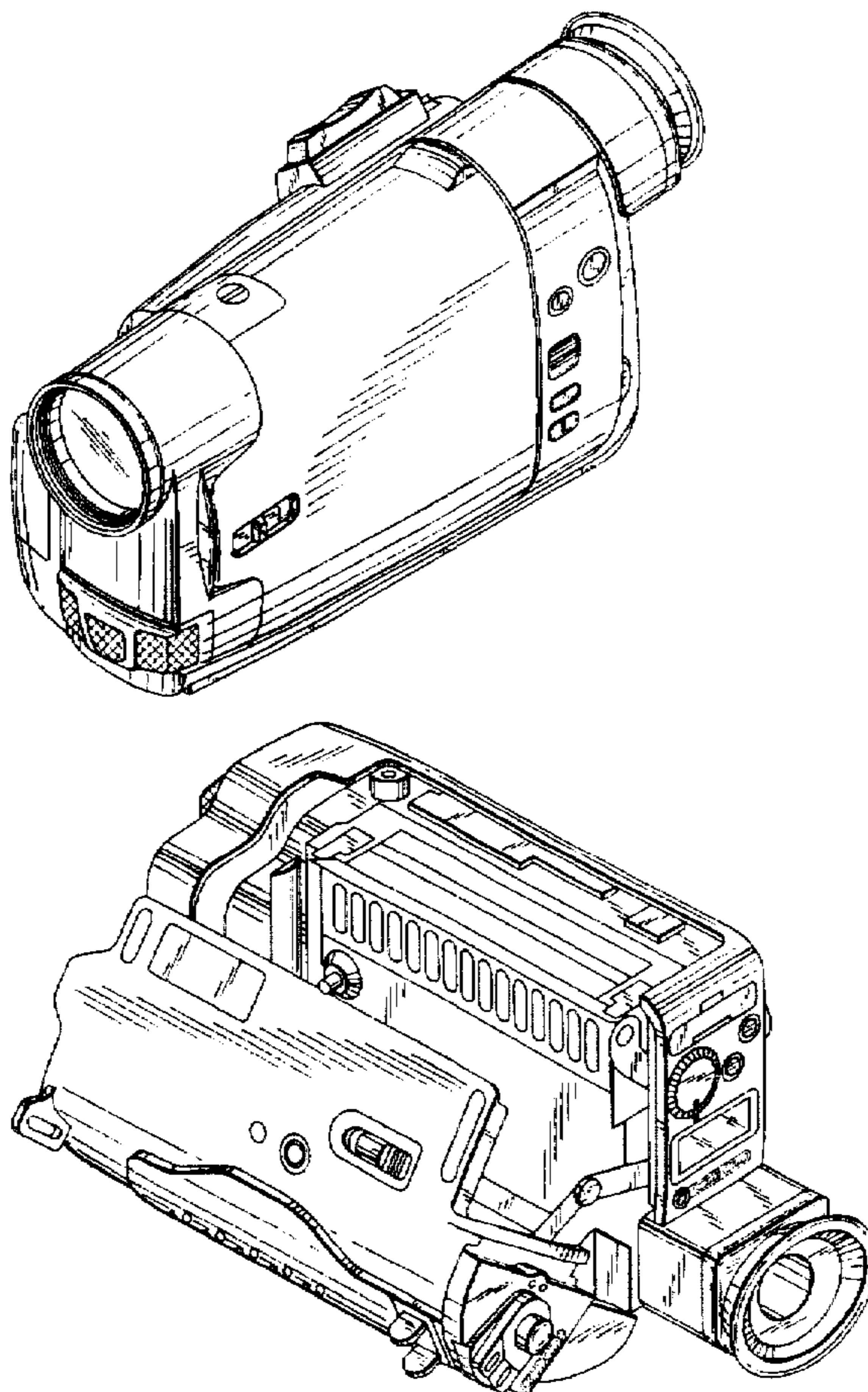
FIG. 7 is a front perspective view of the video camera of FIG. 1;

FIG. 8 is a rear perspective view showing the video camera door in a partially open position;

FIG. 9 is a perspective view similar to FIG. 8 showing the video camera door in a fully opened position; and,

FIG. 10 is a rear elevation view showing the video camera of FIG. 1 in operating condition with an LCD display showing an indicia.

1 Claim, 5 Drawing Sheets



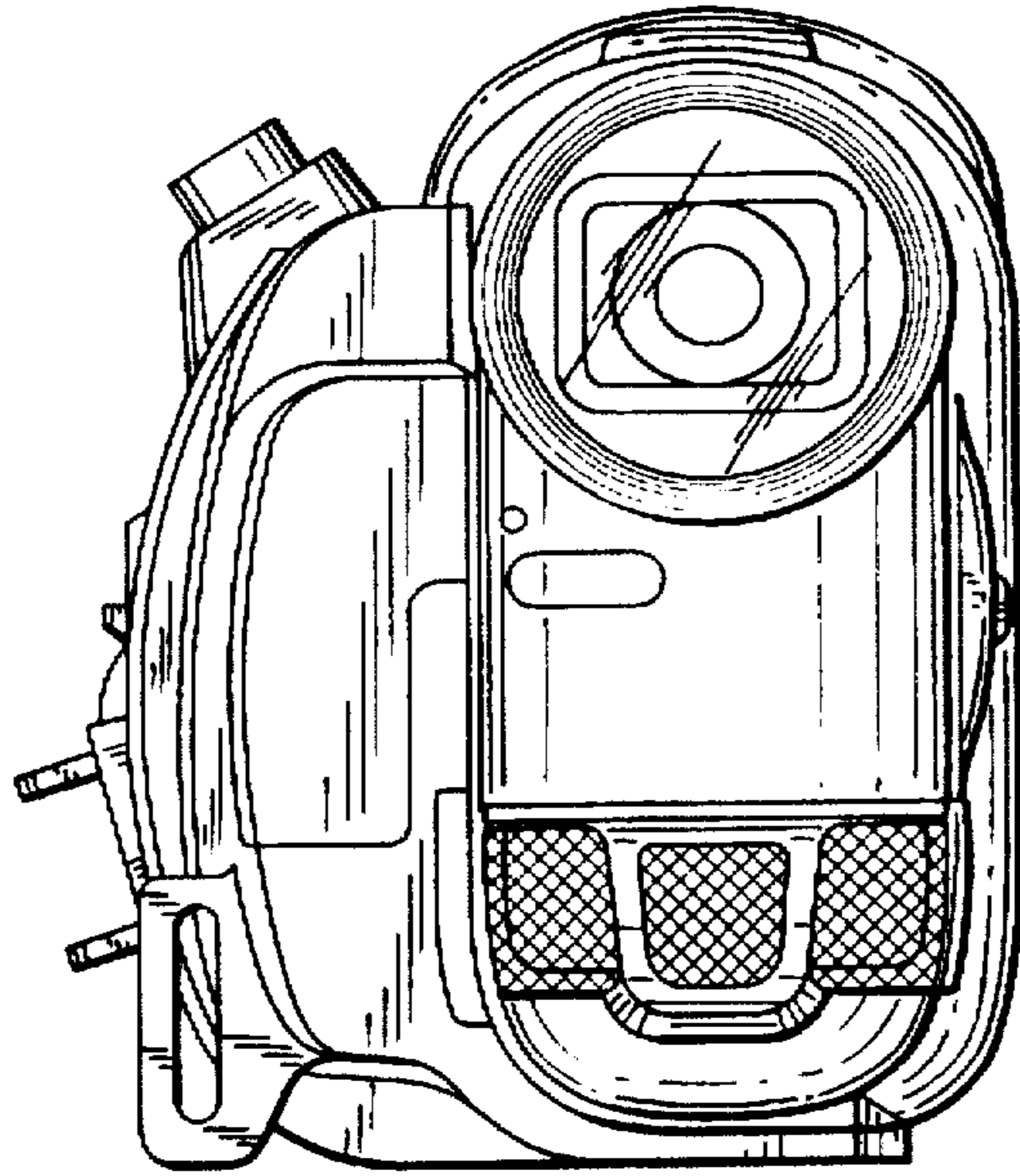


FIG. 1

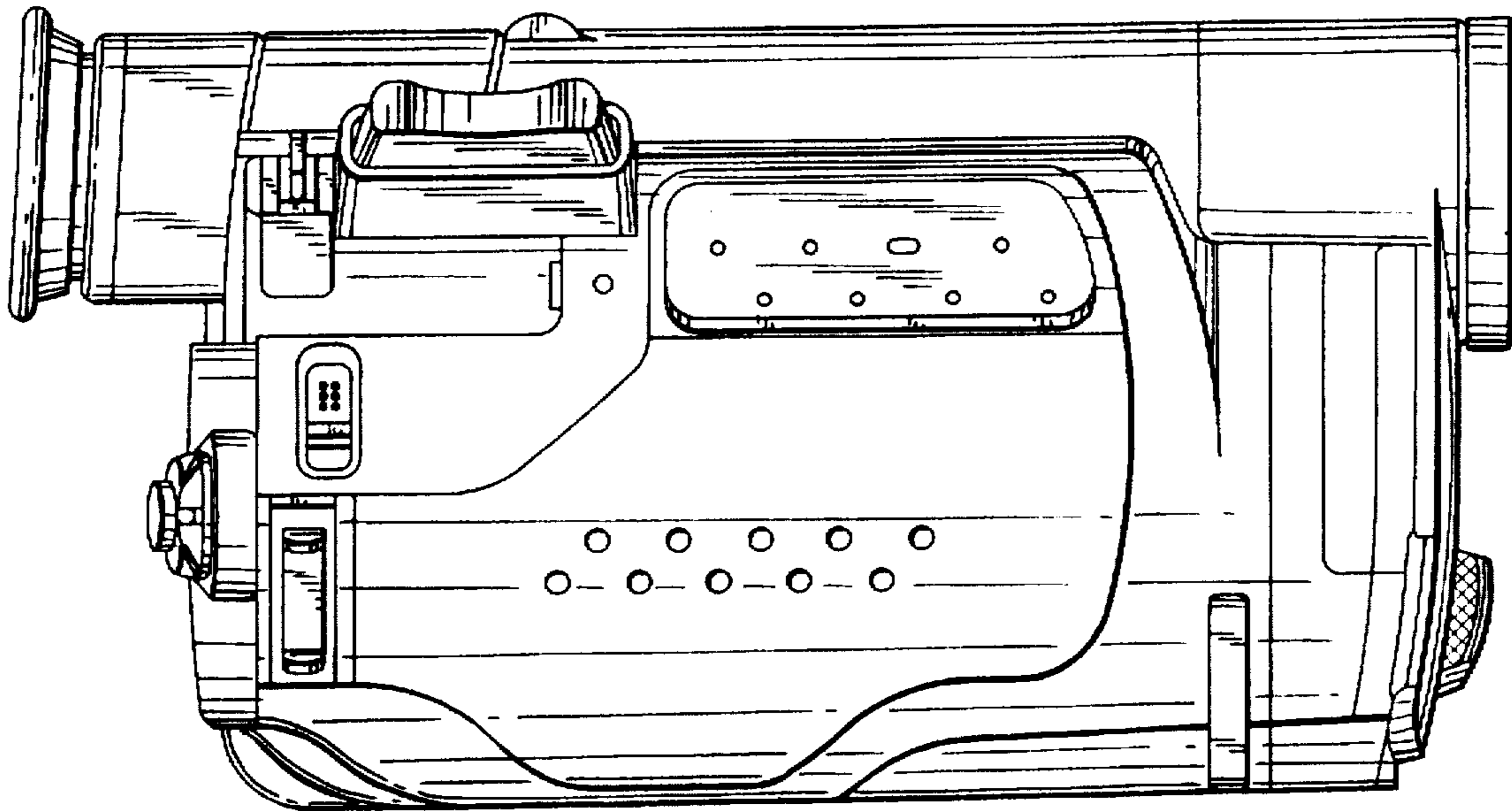


FIG. 2

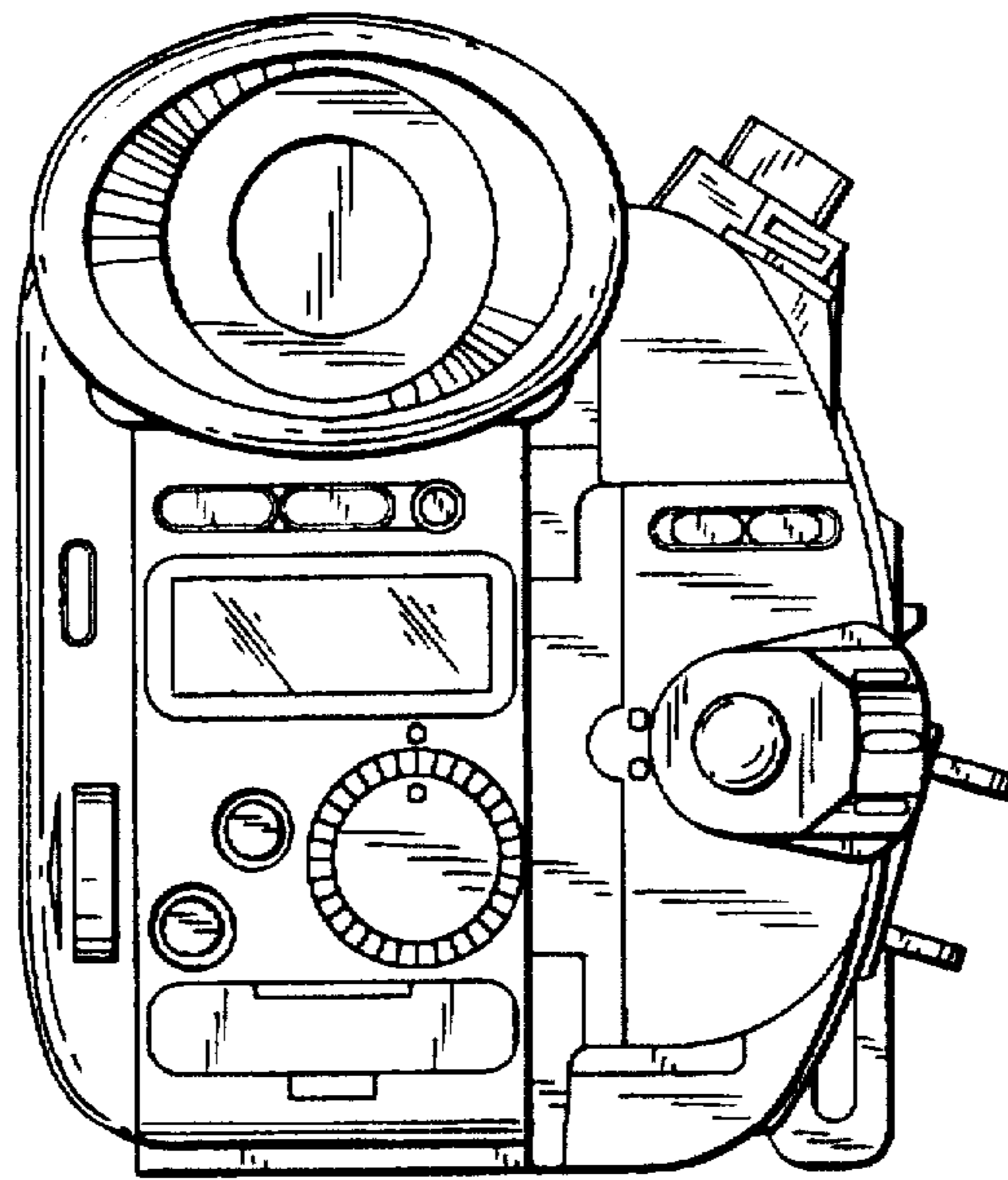


FIG. 3

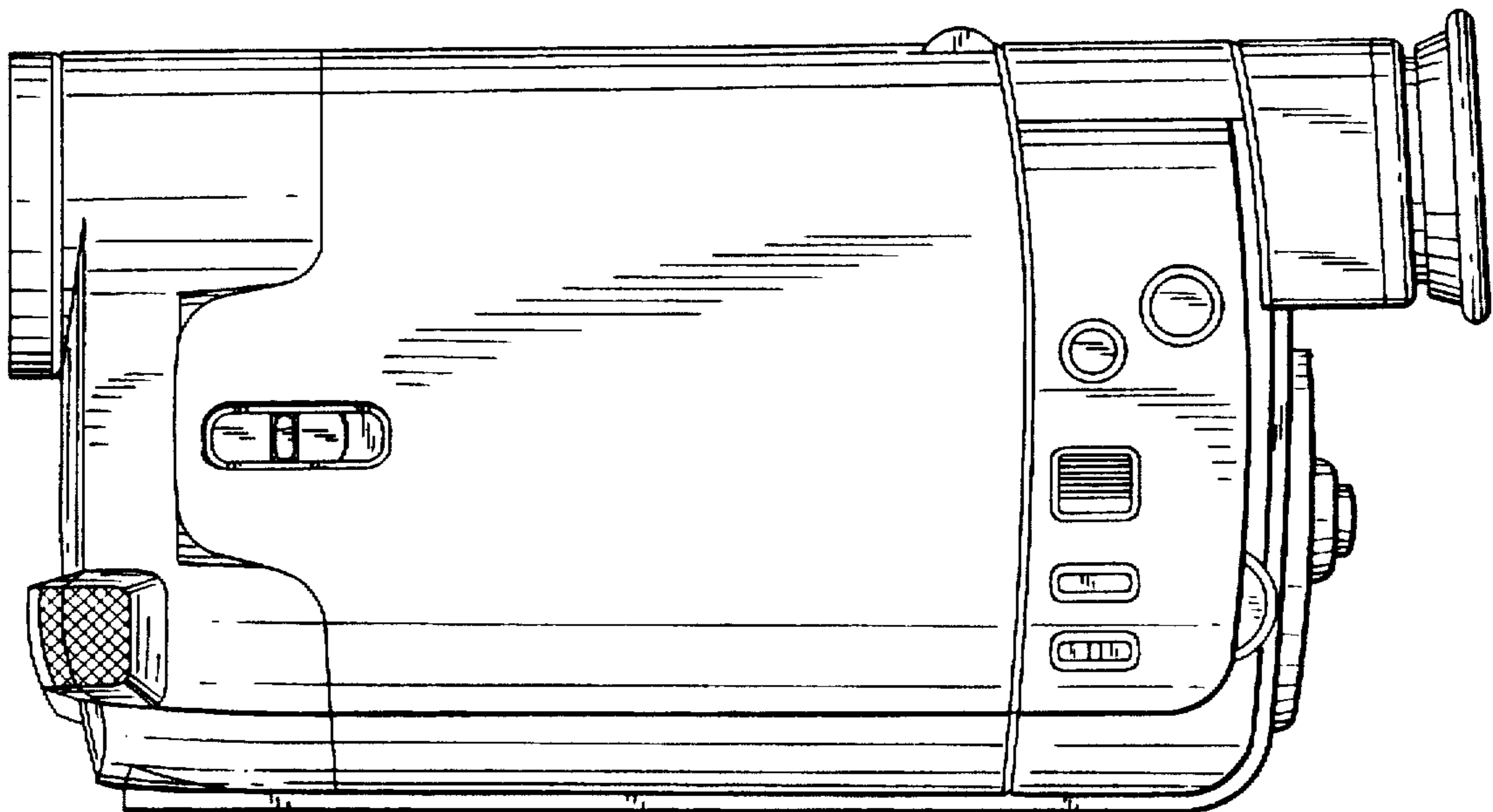


FIG. 4

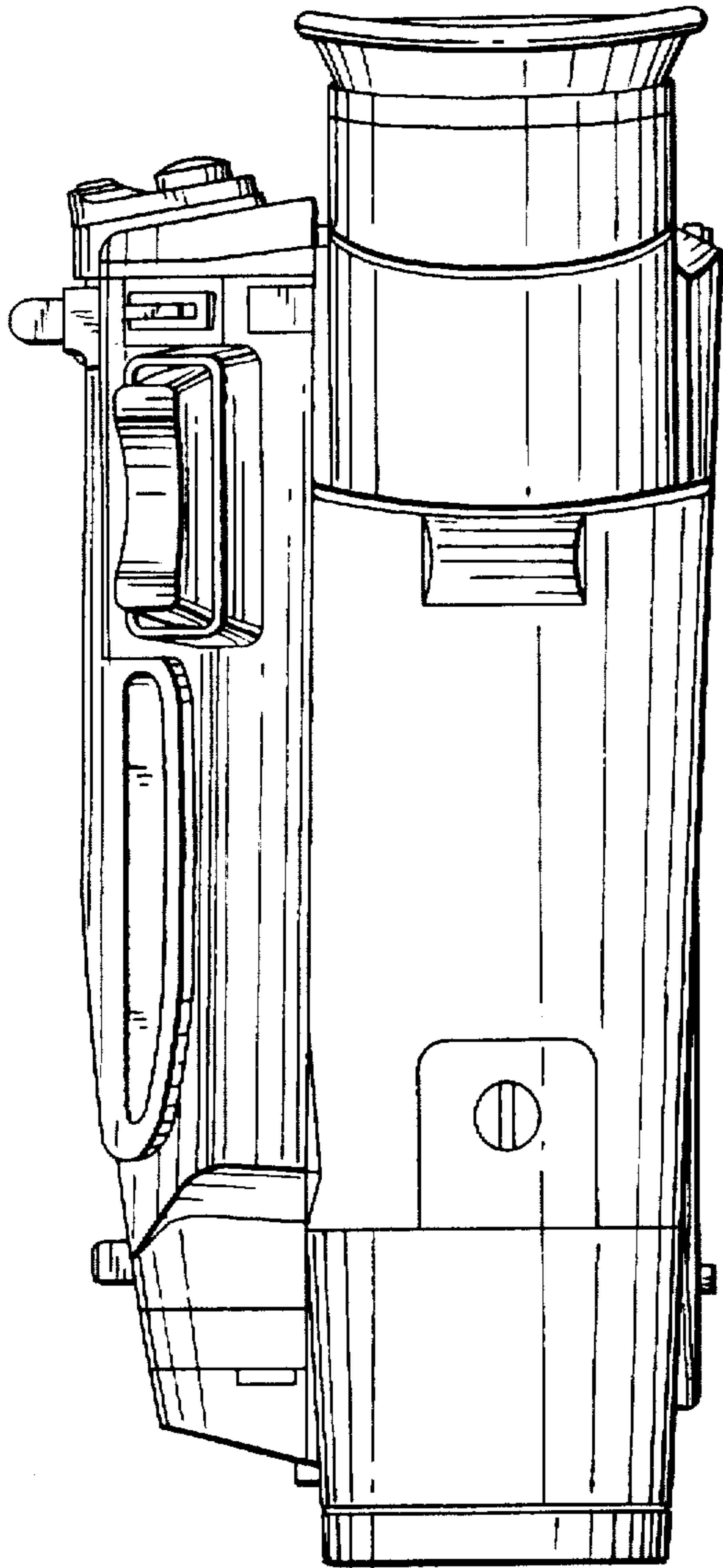
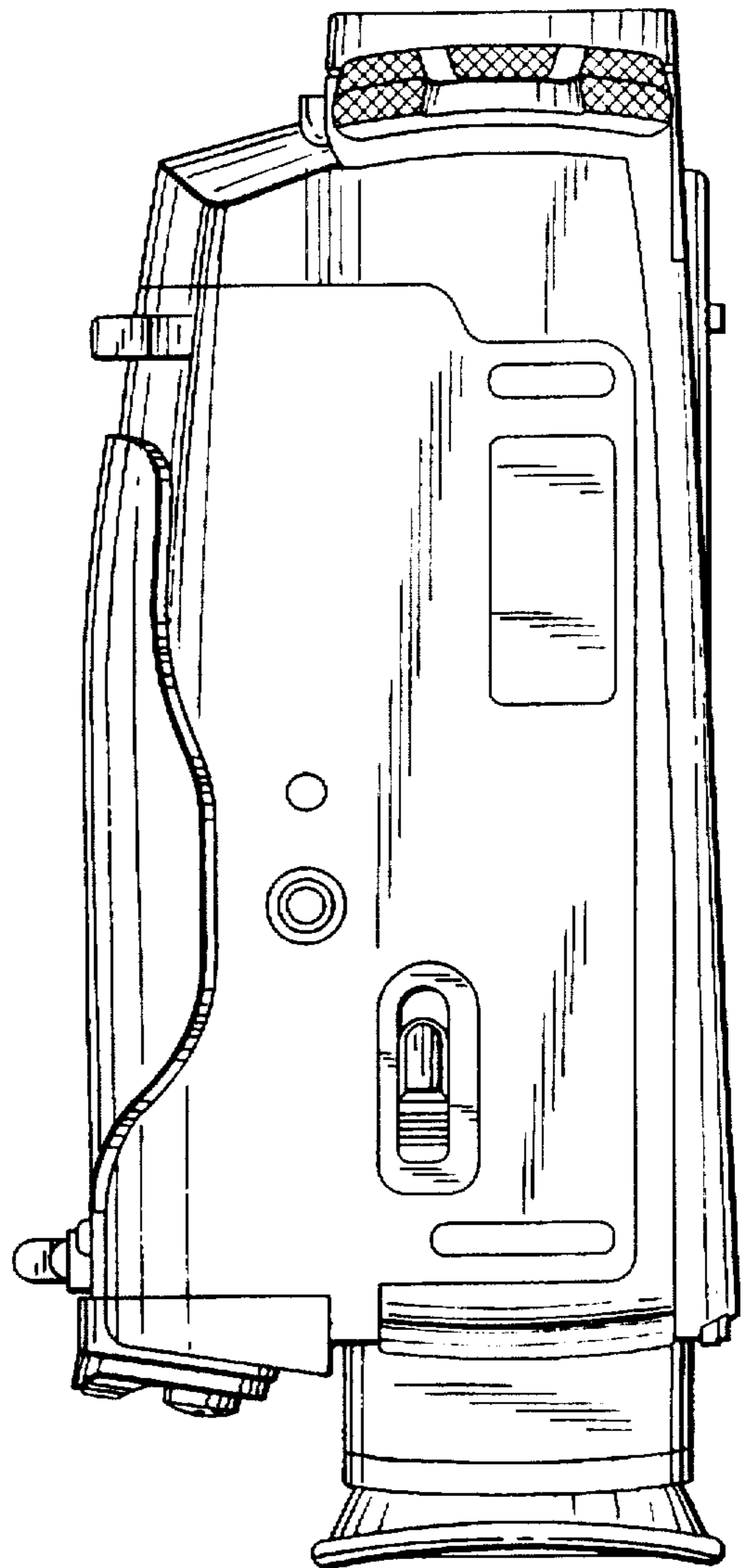


FIG. 5

FIG. 6



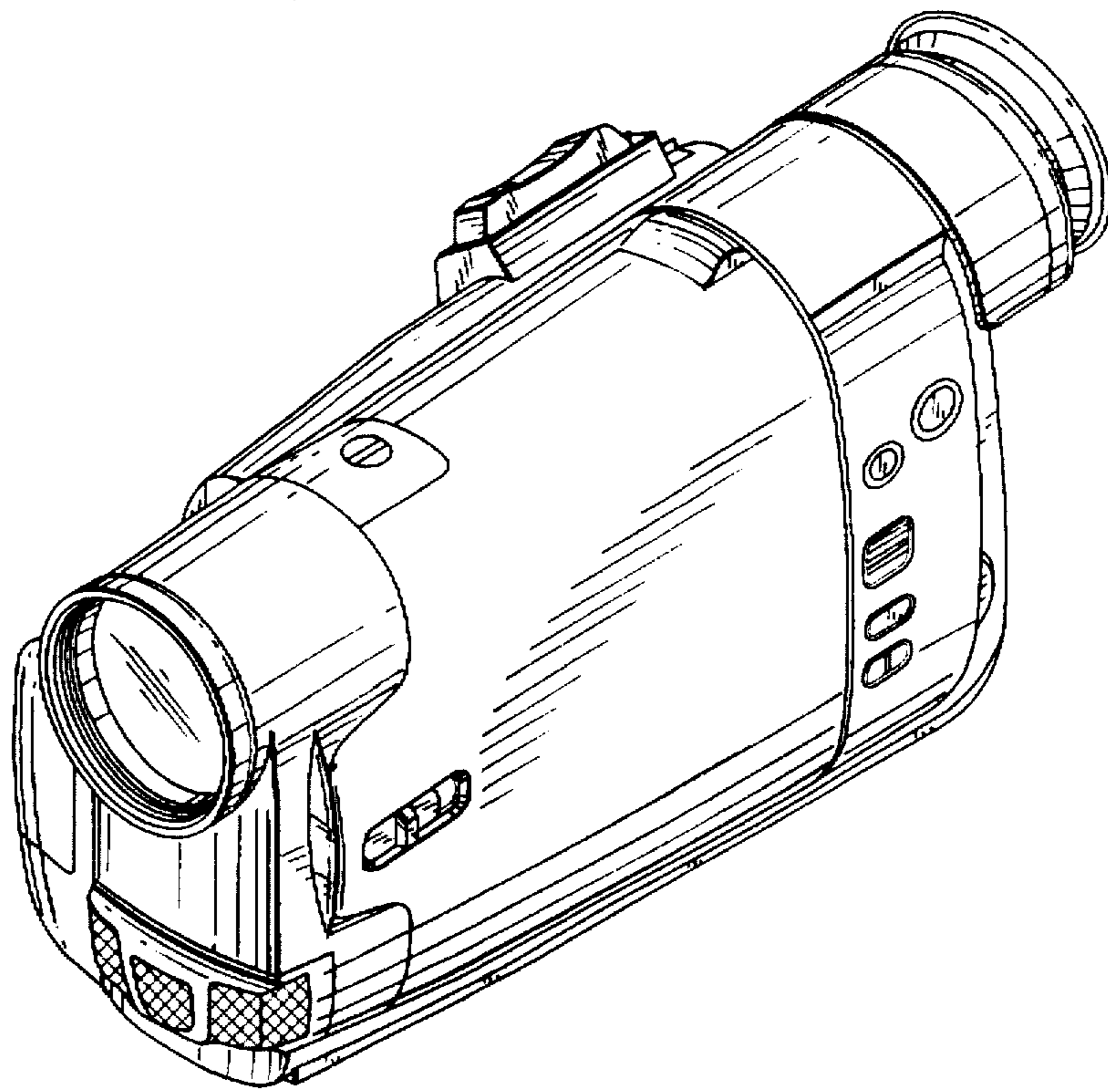


FIG. 7

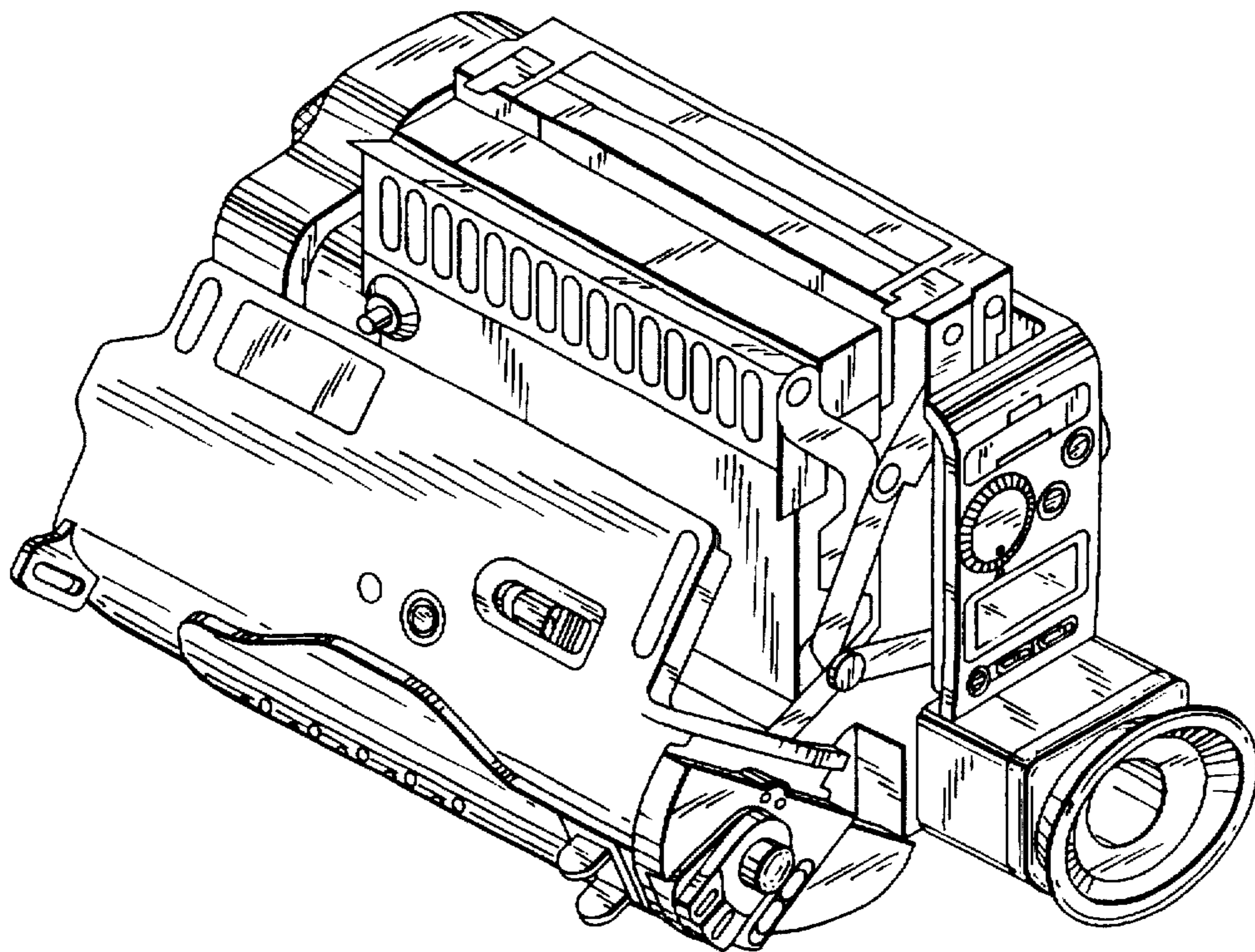


FIG. 8

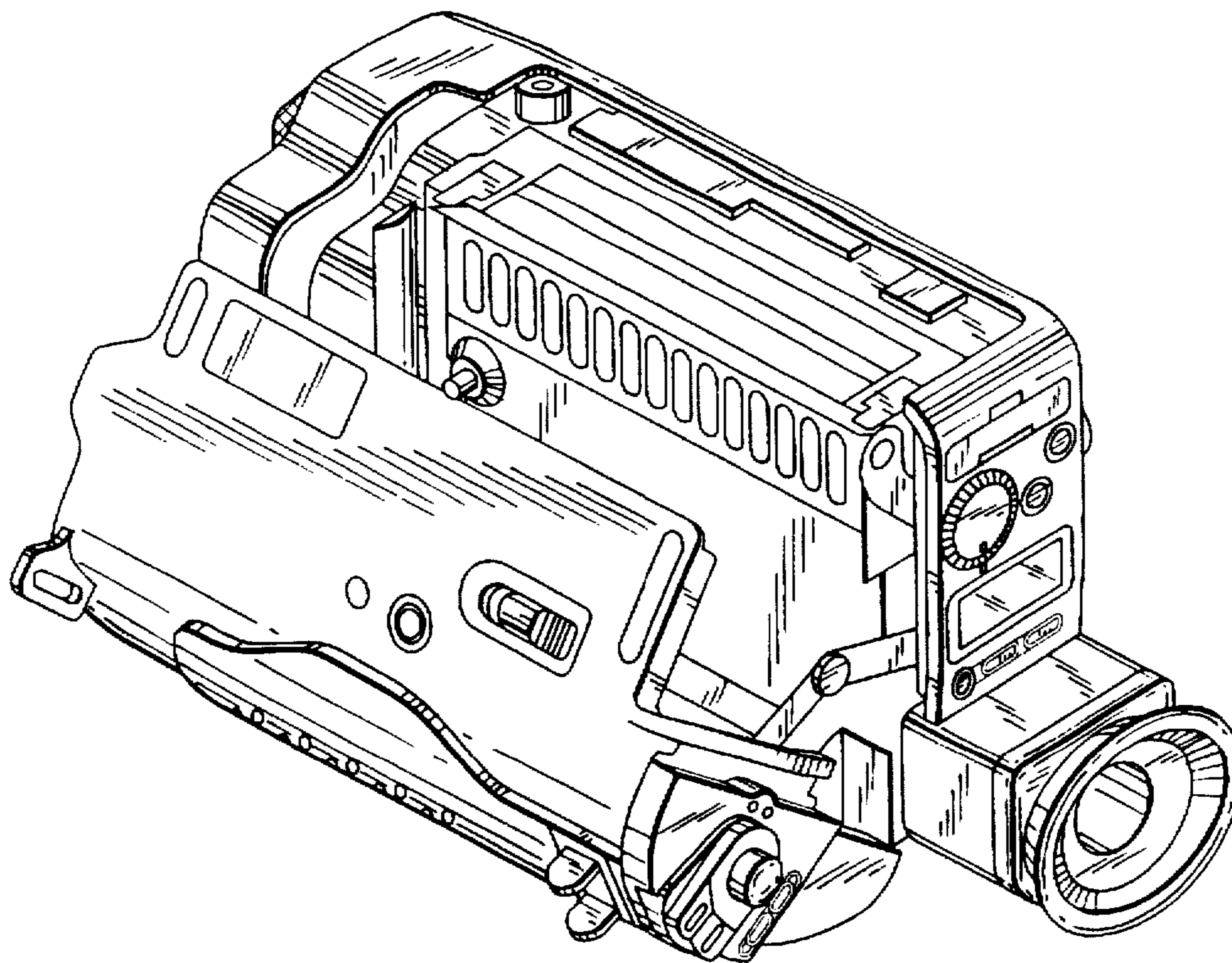


FIG. 9

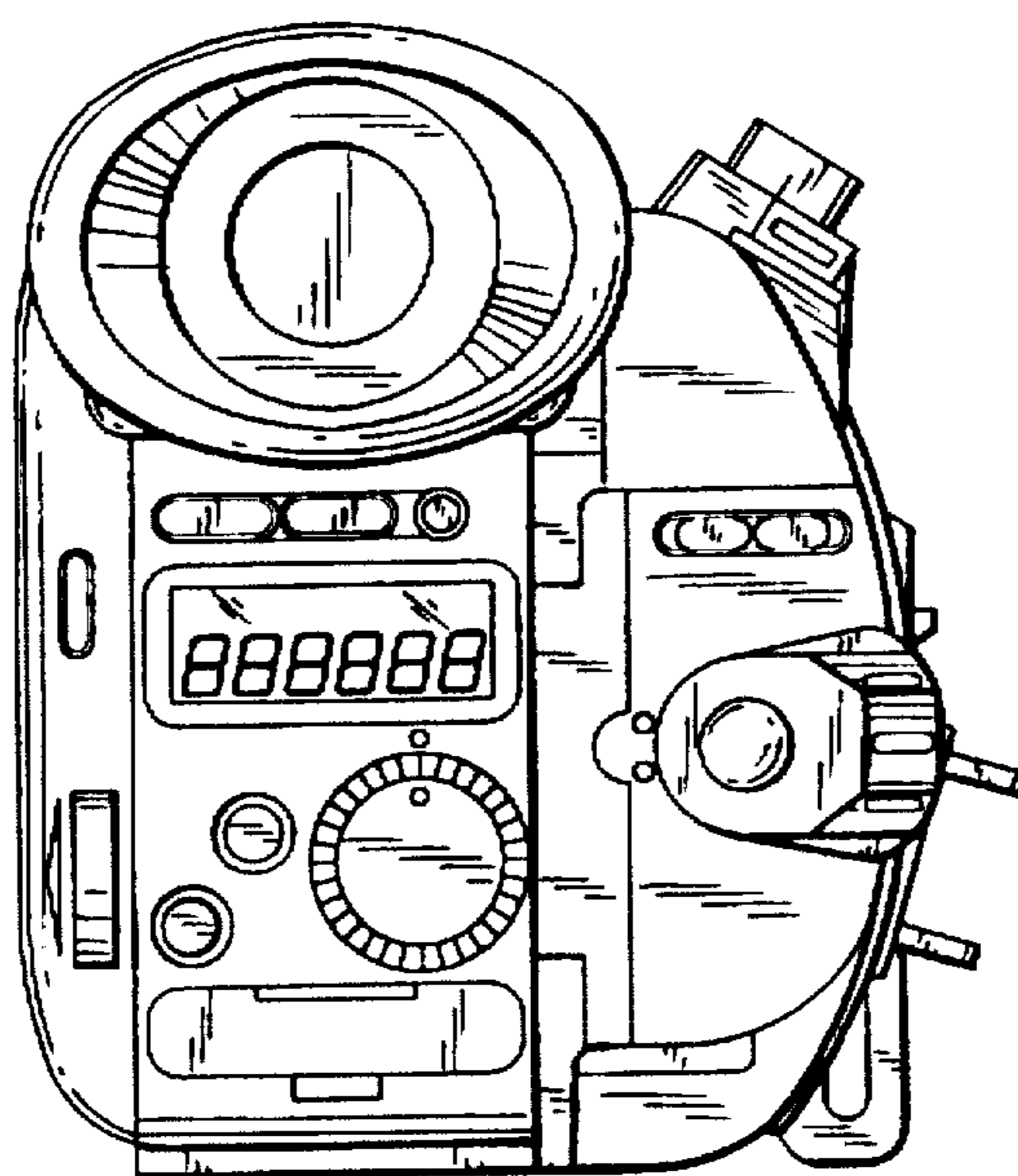


FIG. 10