



US00D394271S

United States Patent [19]
Croghan

[11] **Patent Number:** **Des. 394,271**
[45] **Date of Patent:** ****May 12, 1998**

[54] **BASE MOLD FOR CONCRETE POST**

[76] **Inventor:** **Morris T. Croghan**, 106 Papineau Road, Fulford, Quebec, Canada, J0E 1S0

[**] **Term:** **14 Years**

[21] **Appl. No.:** **64,881**

[22] **Filed:** **Jan. 13, 1997**

[51] **LOC (6) Cl.** **15-09**

[52] **U.S. Cl.** **D15/136**

[58] **Field of Search** **D15/136; 249/51, 249/136, DIG. 4**

[56] **References Cited**

U.S. PATENT DOCUMENTS

D. 364,413 11/1995 Ishida et al. D15/136
4,673,157 6/1987 Wells 249/DIG. 4

Primary Examiner—Antoine Duval Davis
Attorney, Agent, or Firm—Eric Fincham

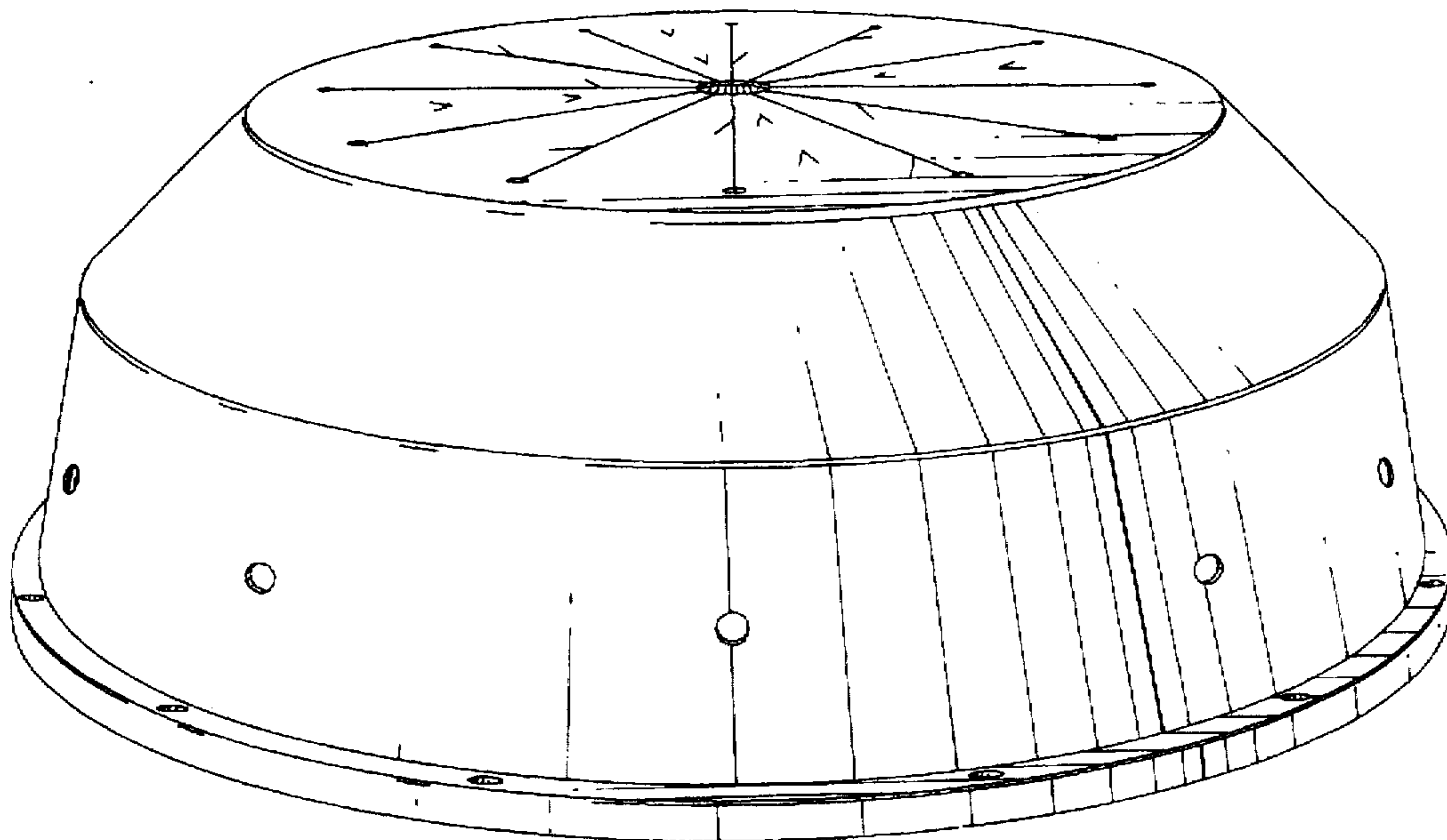
[57] **CLAIM**

The ornamental design for a base mold for concrete post, as shown and described.

DESCRIPTION

FIG. 1 is a perspective view of a first embodiment of the design;
FIG. 2 is a top plan view thereof;
FIG. 3 is a side elevational view thereof;
FIG. 4 is a bottom plan view thereof;
FIG. 5 is a perspective view of a second embodiment of the design;
FIG. 6 is a top plan view of the embodiment of FIG. 5;
FIG. 7 is a side elevational view of the embodiment of FIG. 5;
FIG. 8 is a bottom plan view of the embodiment of FIG. 5;
FIG. 9 is a perspective view of a third embodiment of the design;
FIG. 10 is a top plan view of the embodiment of FIG. 9;
FIG. 11 is a side elevational view of the embodiment of FIG. 9; and
FIG. 12 is a bottom plan view of the embodiment of FIG. 9.

1 Claim, 6 Drawing Sheets



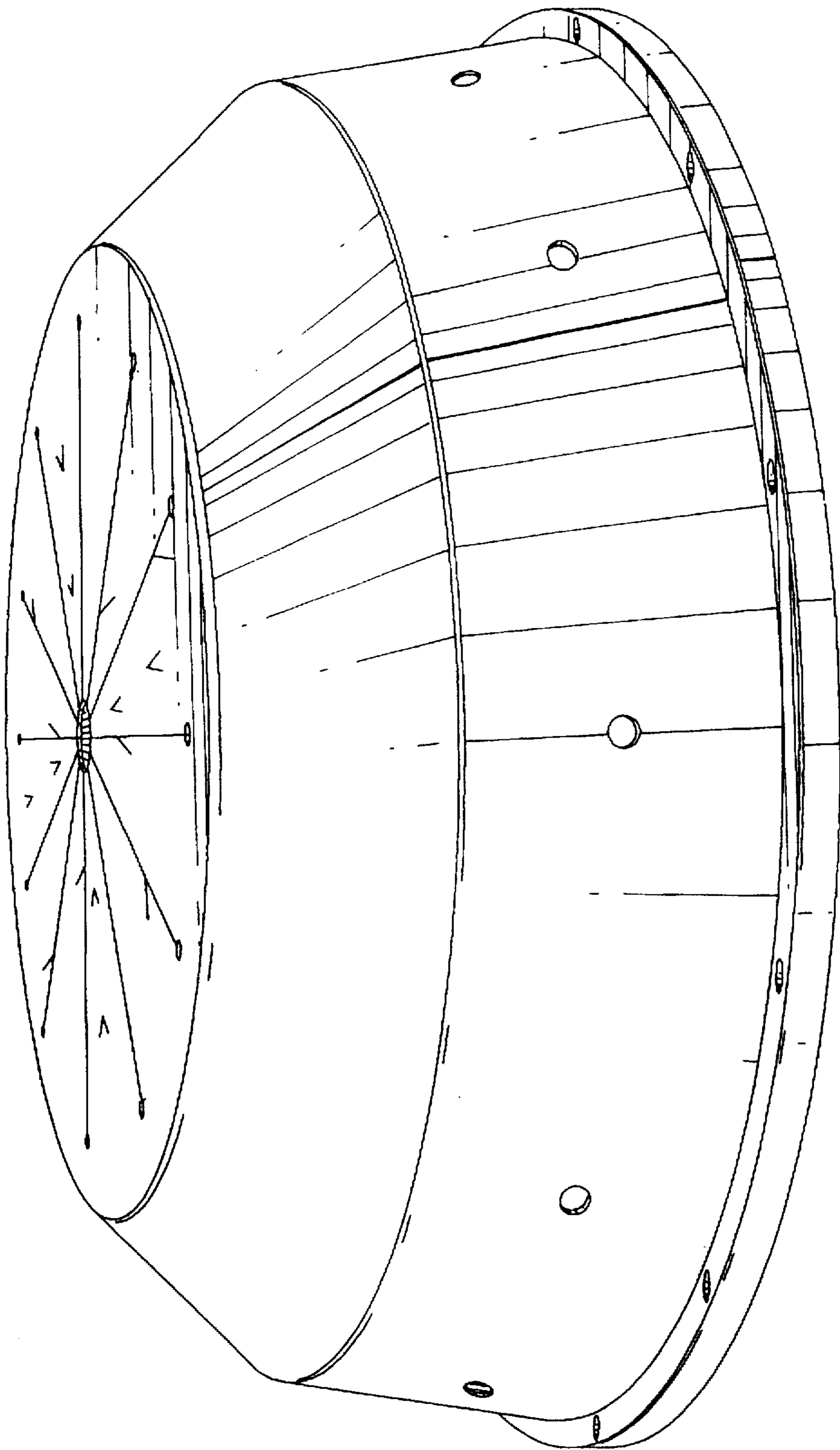


Fig-1

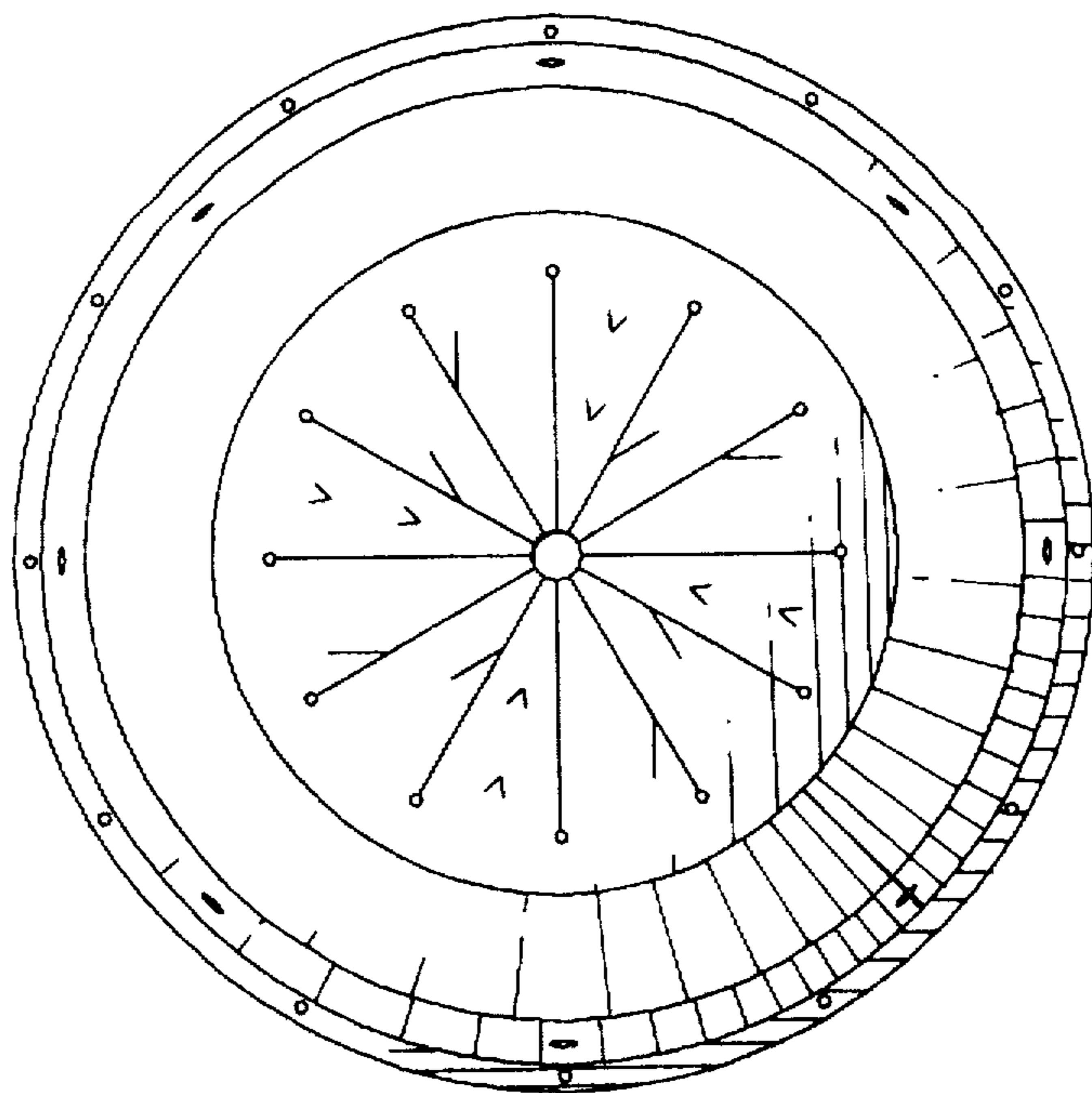


Fig- 2

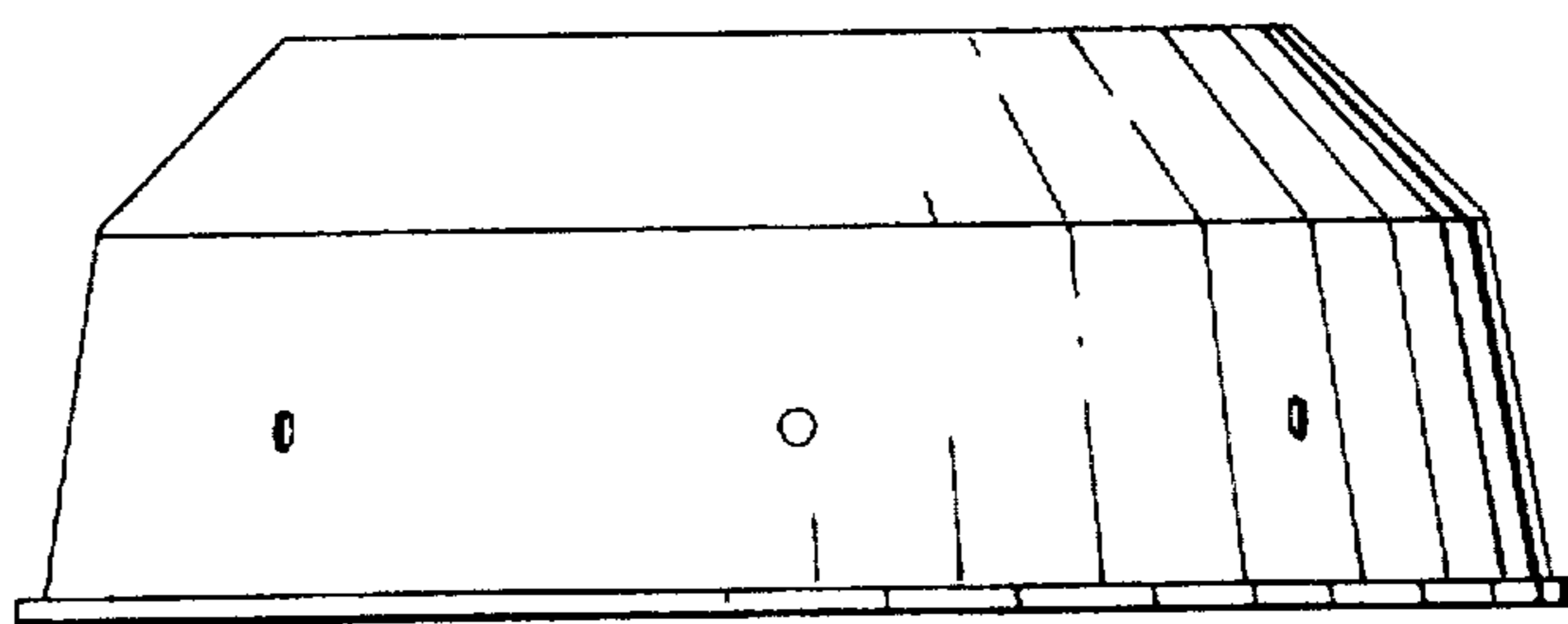


Fig- 3

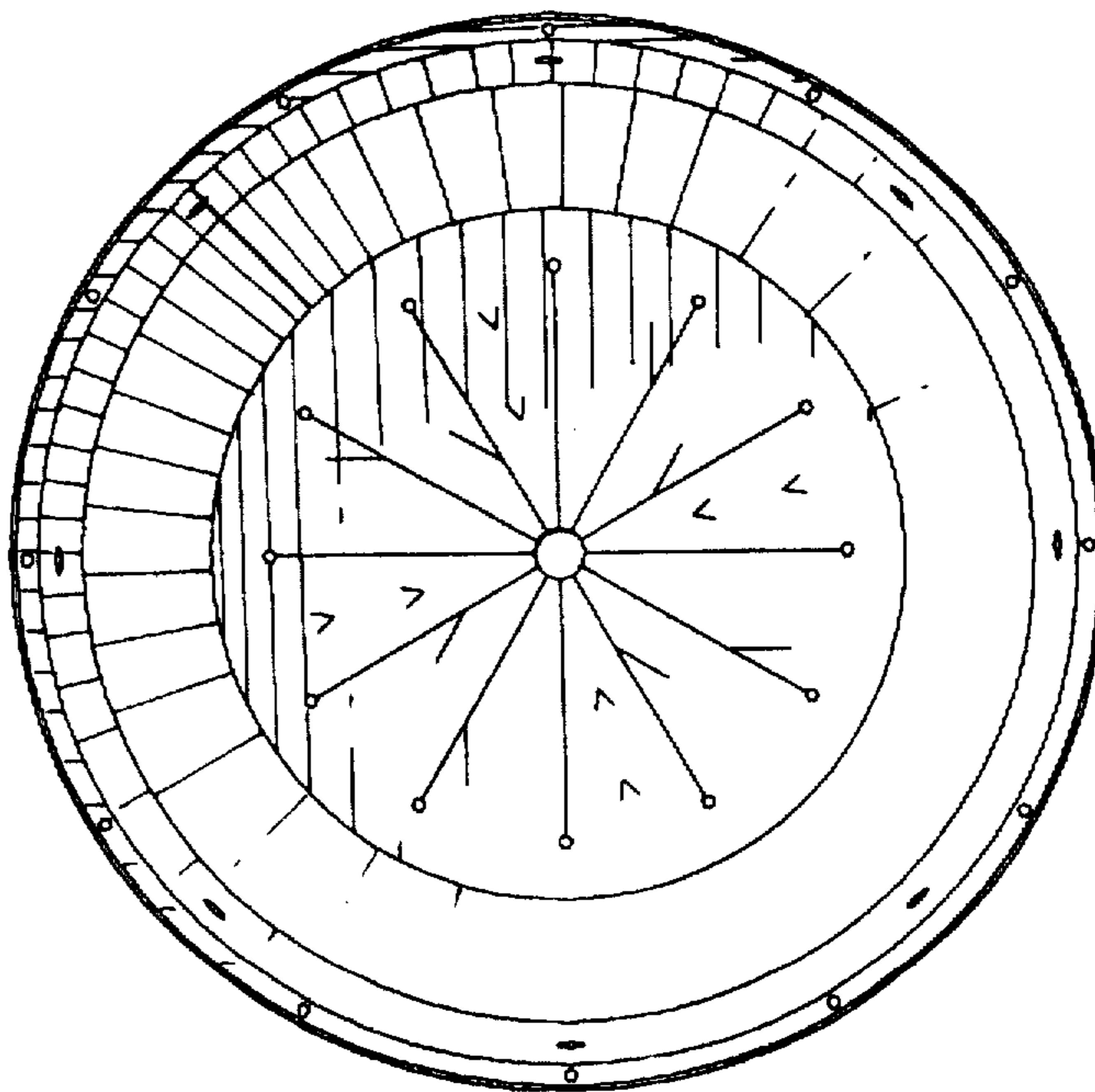


Fig- 4

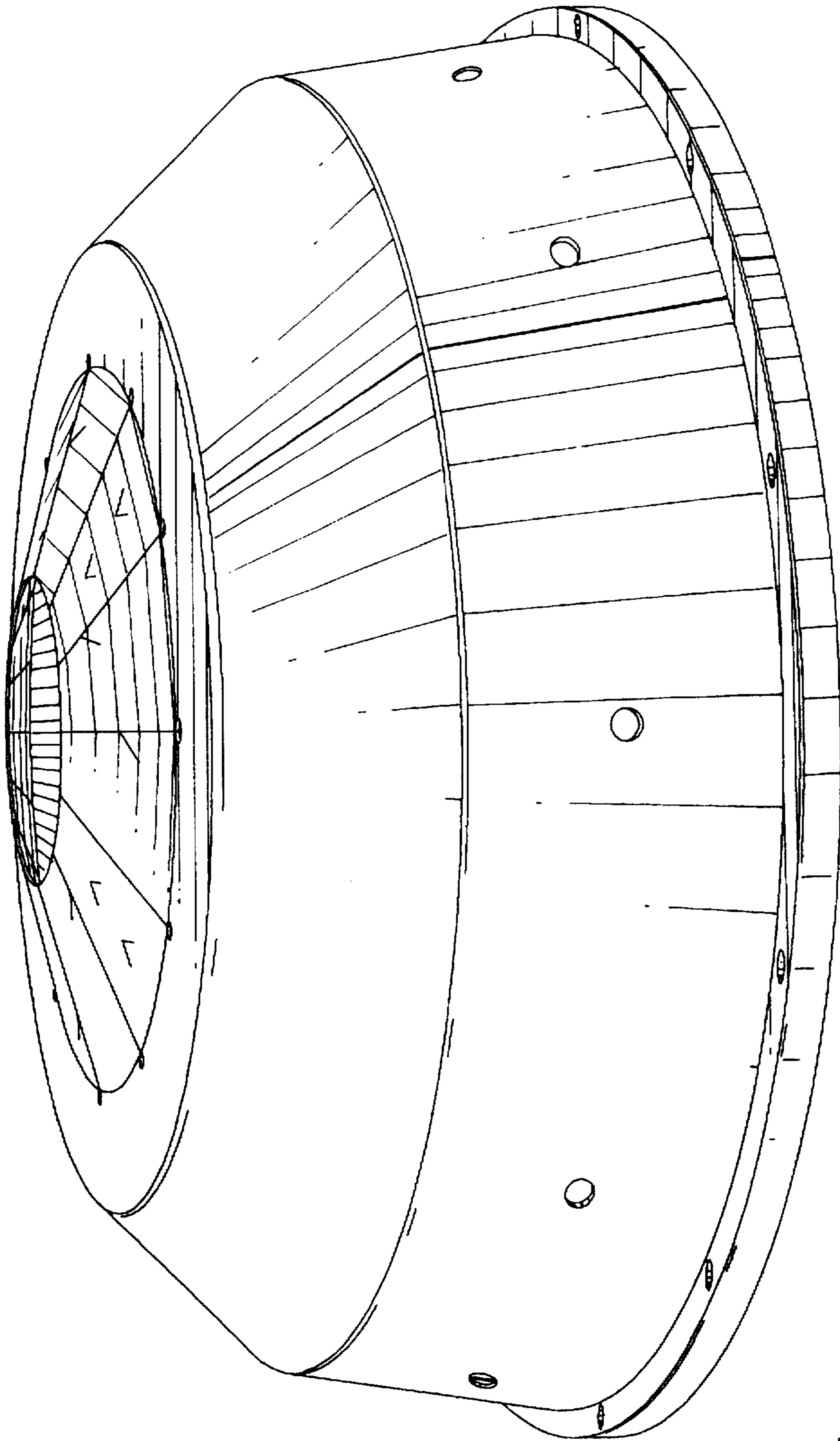


Fig- 5

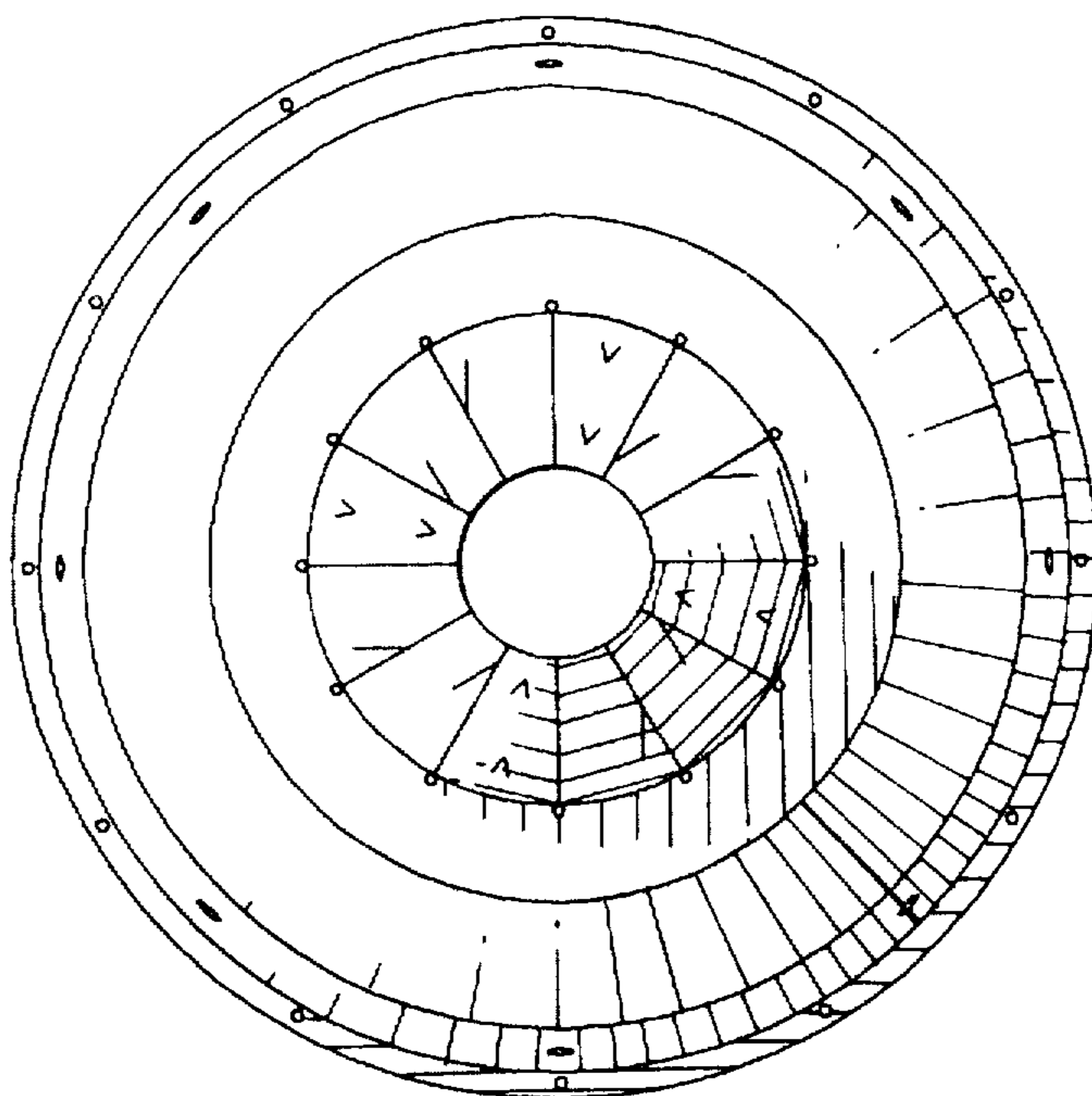


Fig- 6

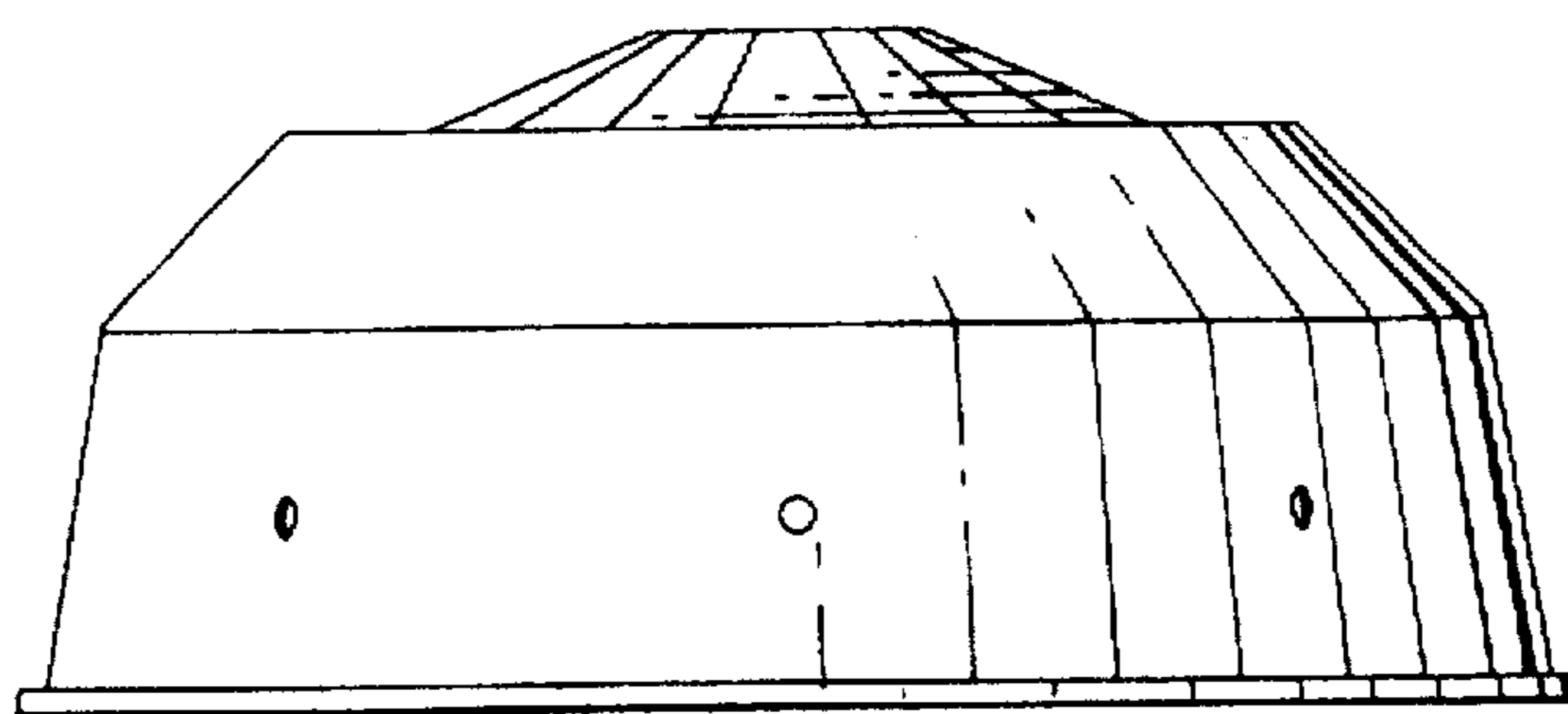


Fig- 7

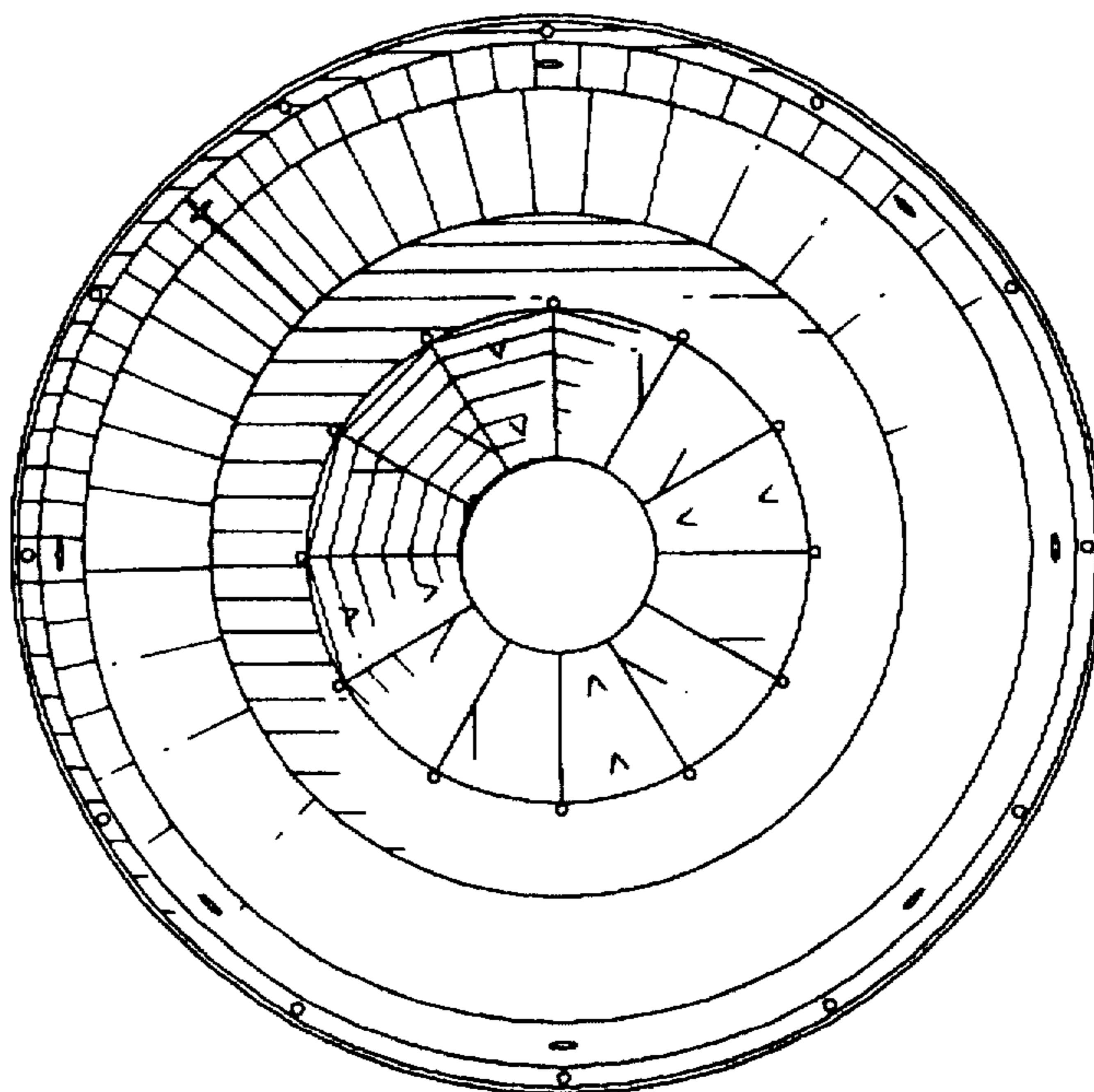


Fig- 8

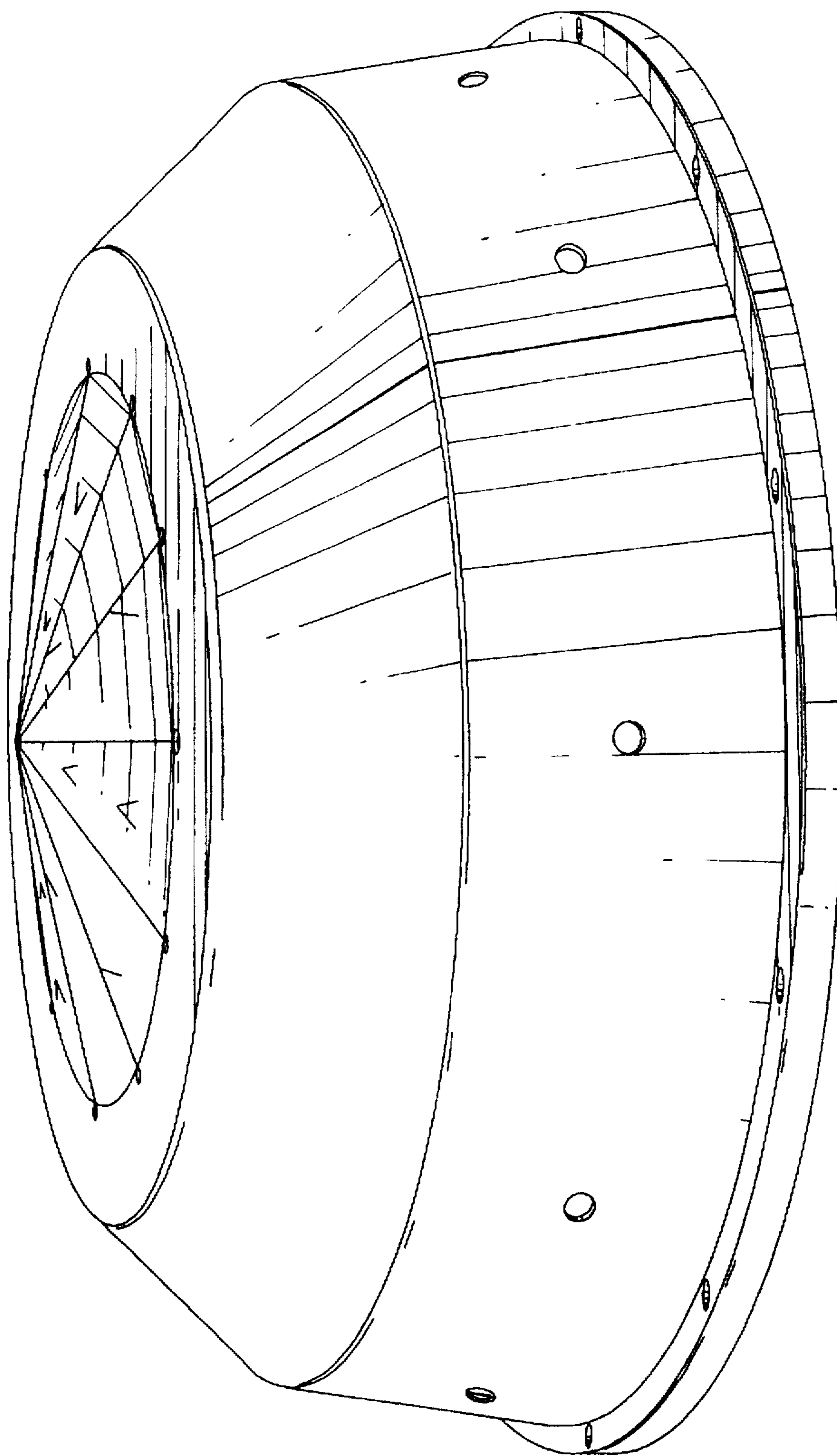


Fig- 9

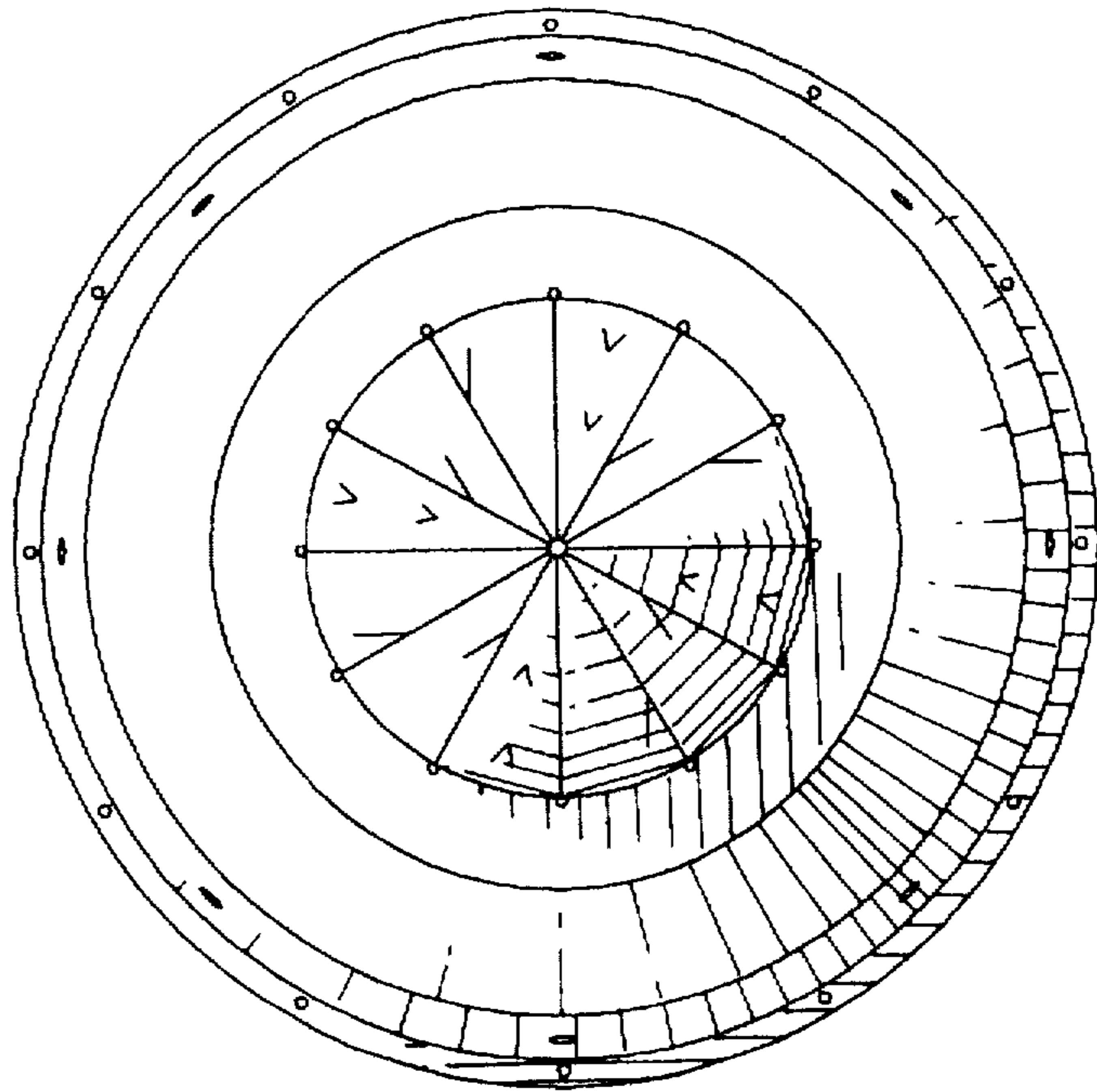


Fig- 10

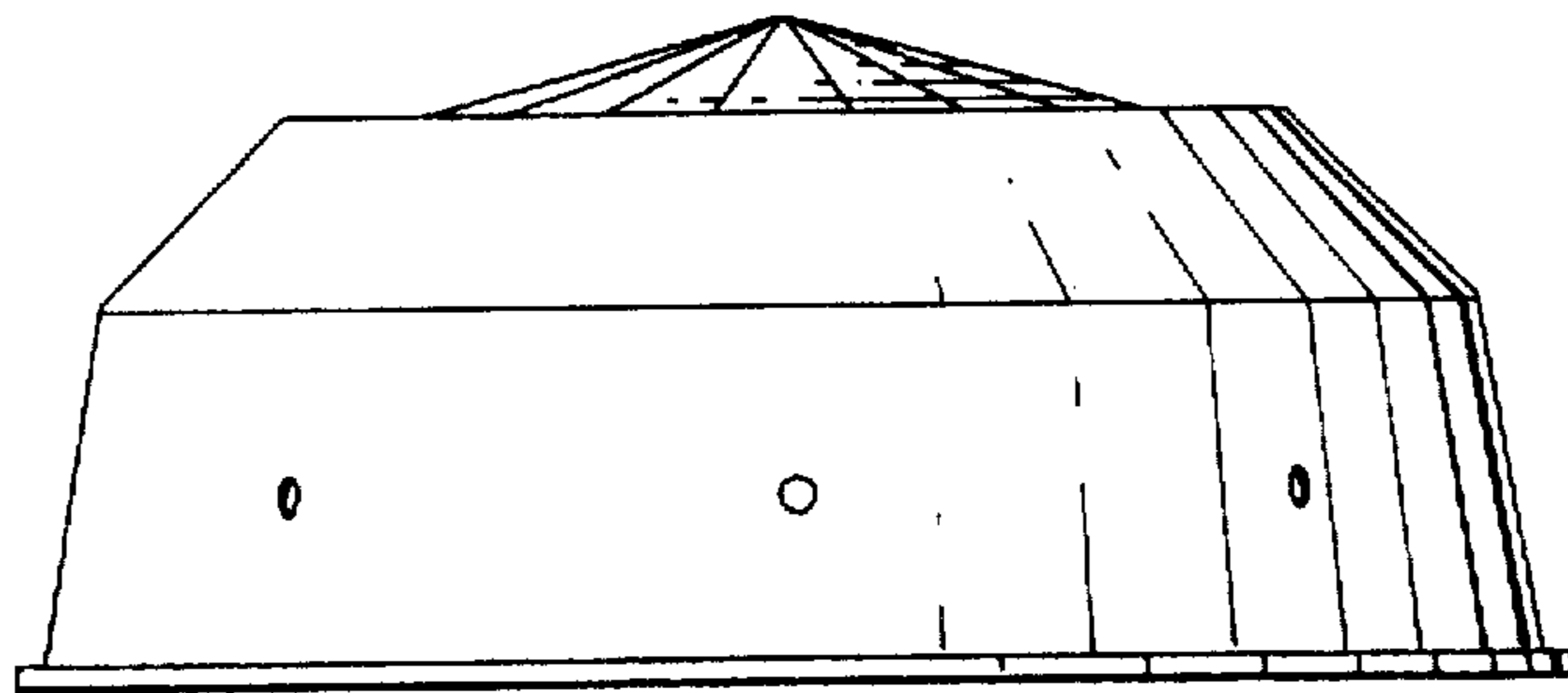


Fig- 11

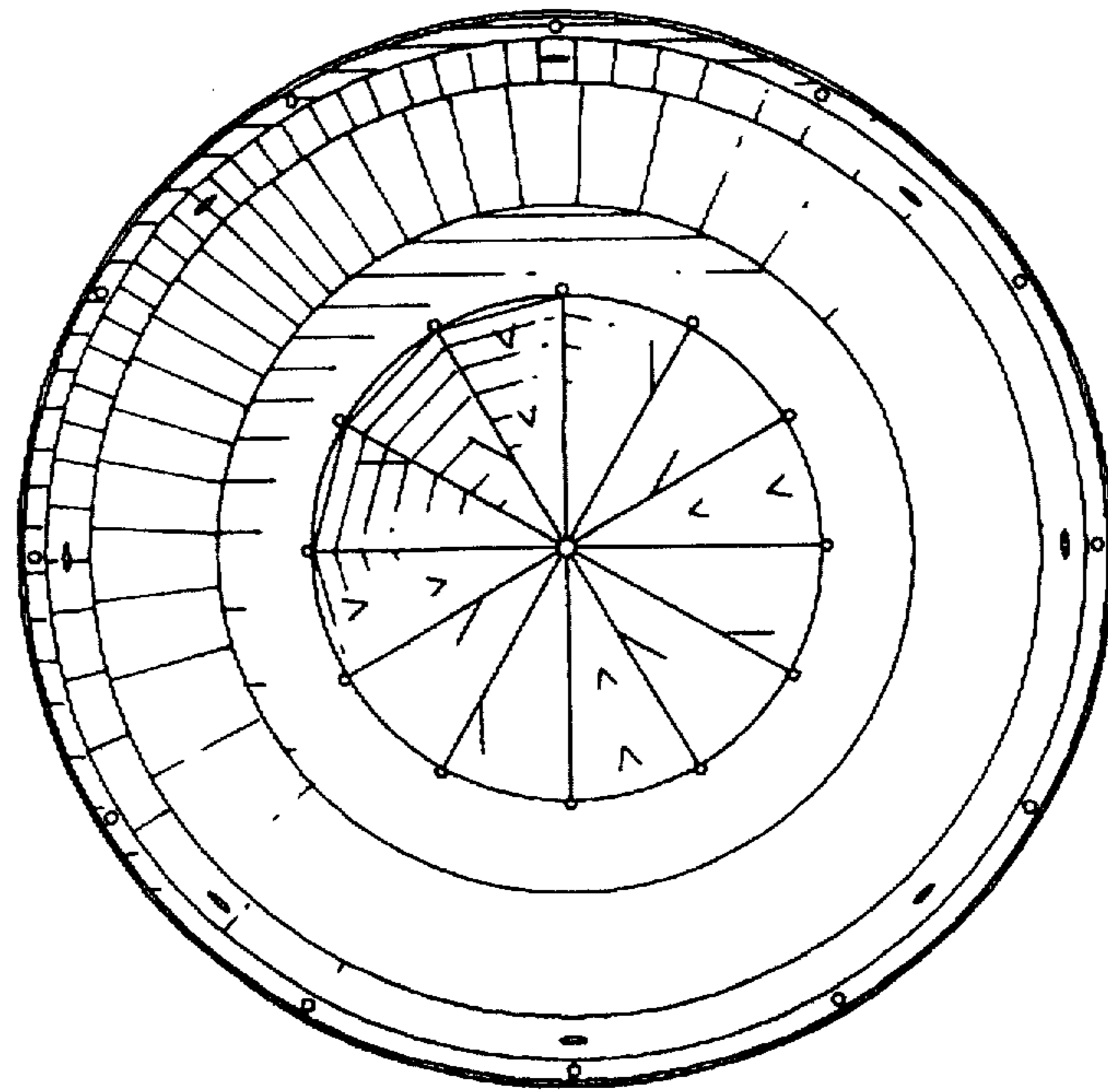


Fig- 12