



US00D394268S

United States Patent [19]

Evans et al.

[11] Patent Number: Des. 394,268

[45] Date of Patent: **May 12, 1998

[54] MINIPUMP

[75] Inventors: Jarred Evans, Mid Glamorgan; Rolf Schild, London, both of United Kingdom

[73] Assignee: Huntleigh Technology PLC, Luton, England

[**] Term: 14 Years

[21] Appl. No.: 62,491

[22] Filed: Nov. 15, 1996

[51] LOC (6) Cl. 15-02

[52] U.S. Cl. D15/7

[58] Field of Search D15/7-9.2; D24/107, D24/108, 111; 128/DIG. 12, DIG. 13; 604/153, 123, 152; D10/46, 47, 75, 78

[56] References Cited

U.S. PATENT DOCUMENTS

D. 328,952 8/1992 Arioka D24/108

D. 344,735 3/1994 Ohman D15/7
D. 354,753 1/1995 Turner, III et al. D15/7
D. 374,237 10/1996 Wang D15/7
4,705,506 11/1987 Archibald 128/DIG. 13

Primary Examiner—Ralf Seifert

[57] CLAIM

The ornamental design for a minipump, as shown and described.

DESCRIPTION

FIG. 1 is a back view to a minipump showing my new design;

FIG. 2 is a front and right side view thereof;

FIG. 3 is a front view thereof;

FIG. 4 is a front and left side view thereof; and

FIG. 5 is a bottom view thereof.

The remaining portion of the power cord, in FIGS. 1, 2 and 5, is broken away and forms no part of the claimed design.

1 Claim, 3 Drawing Sheets

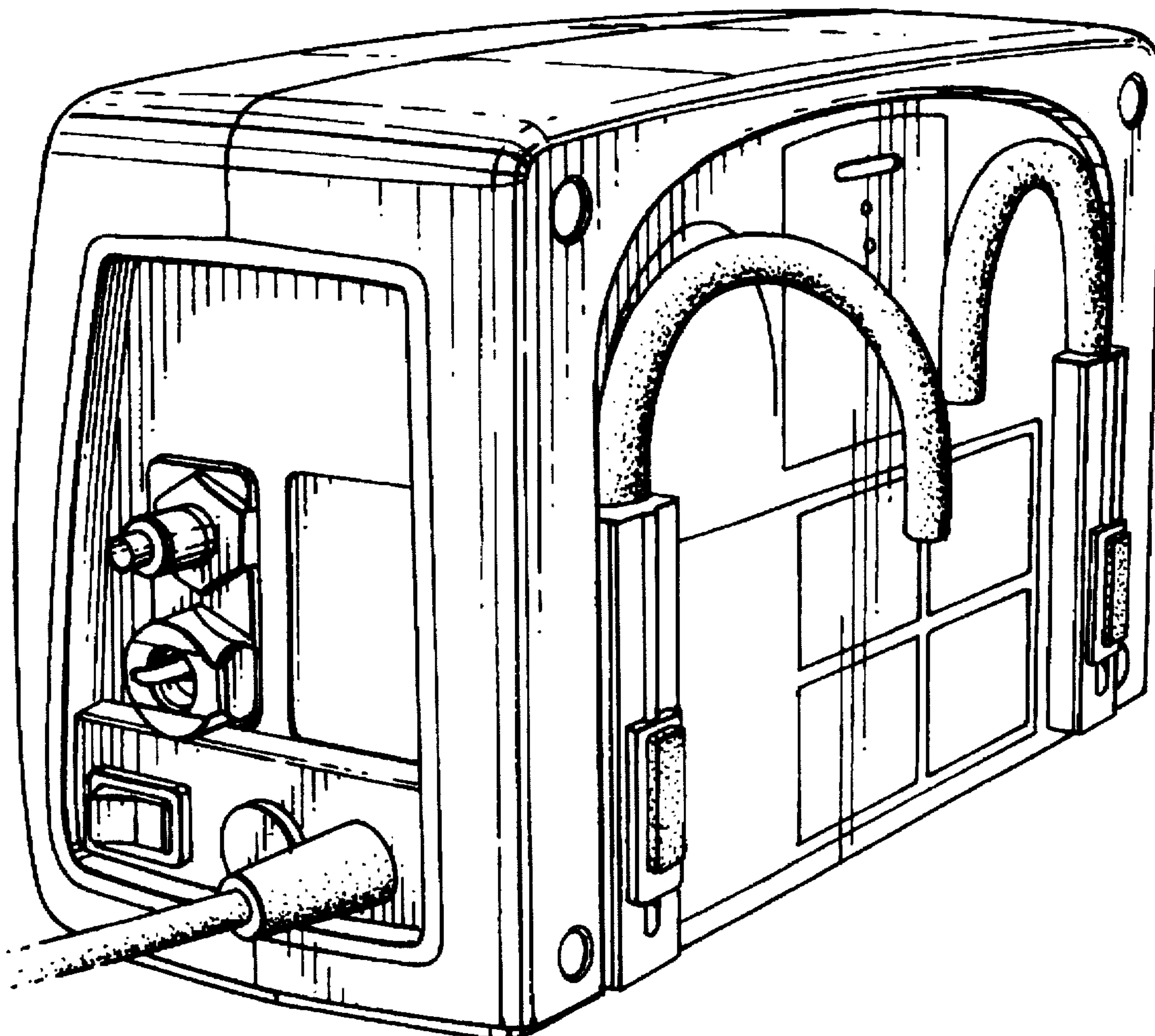


Fig.1.

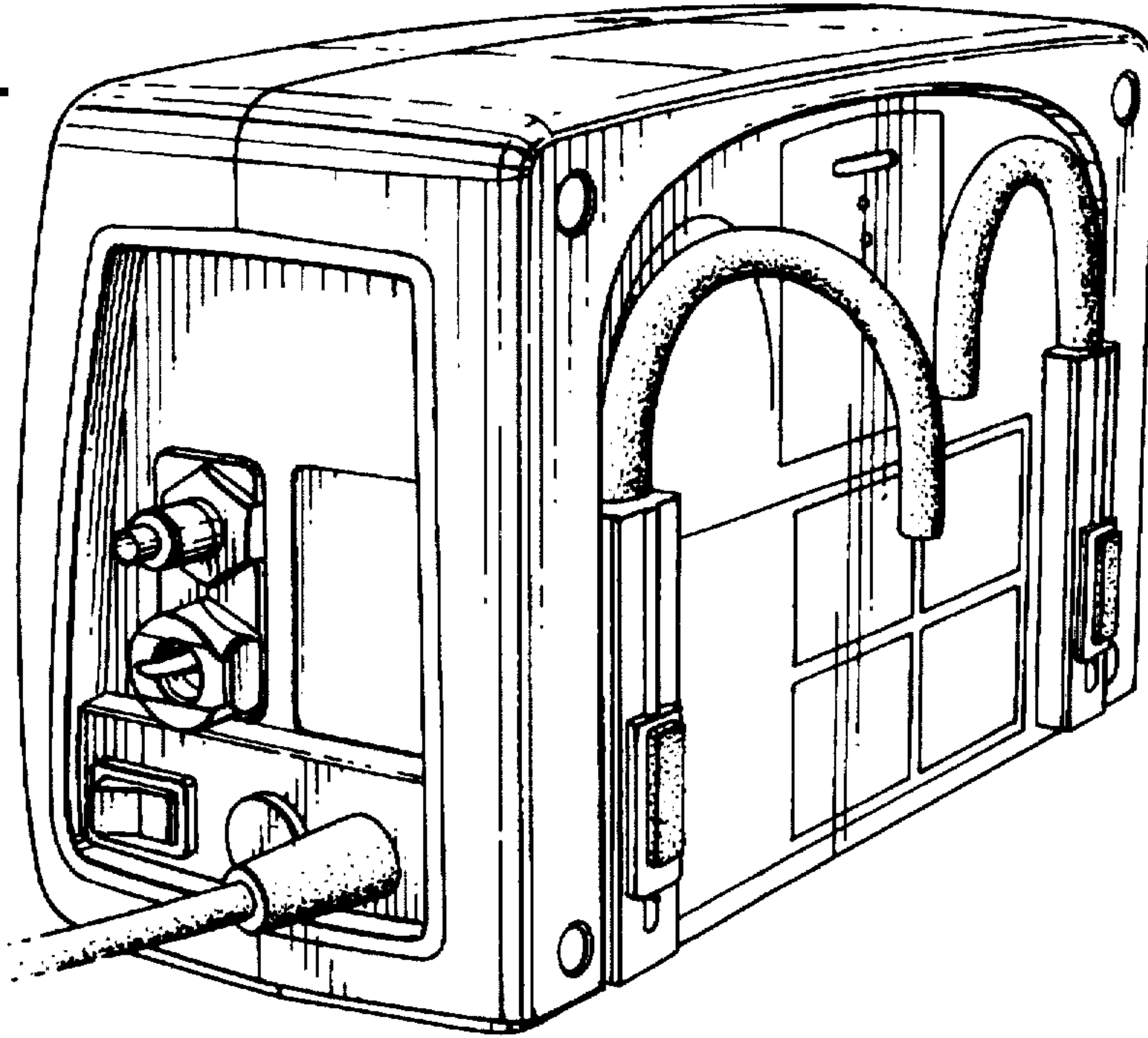


Fig.2.

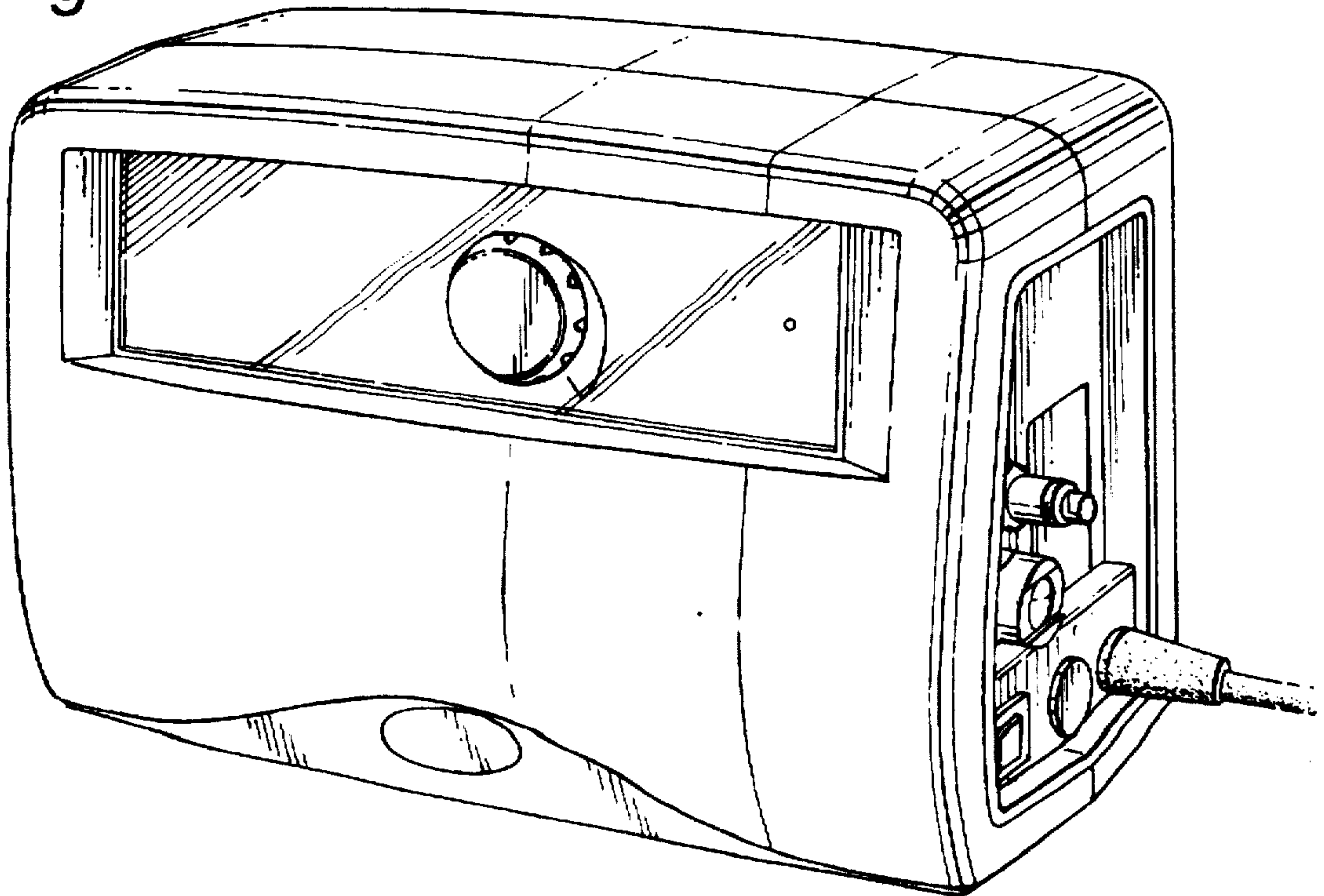


Fig.3.

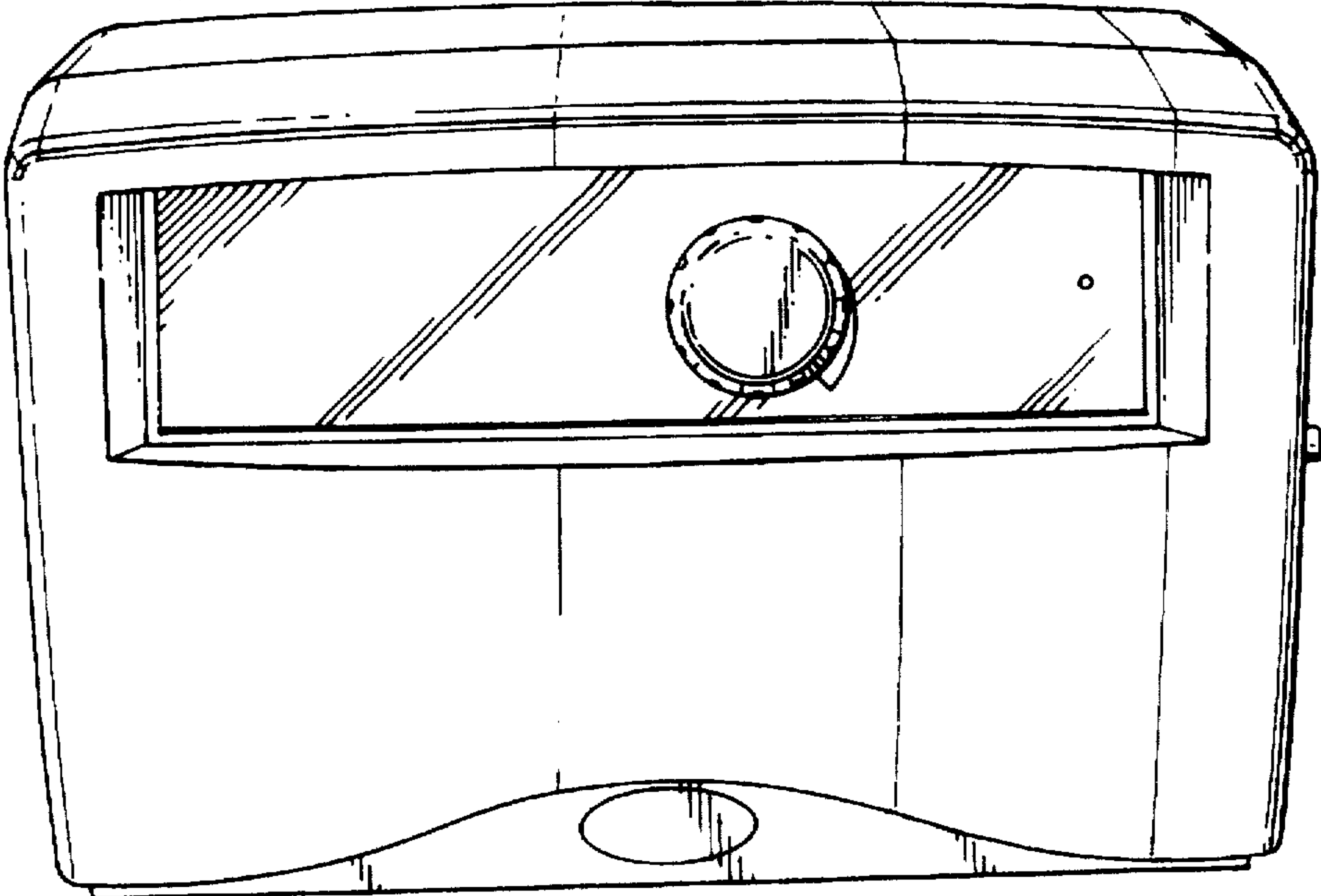


Fig.4.

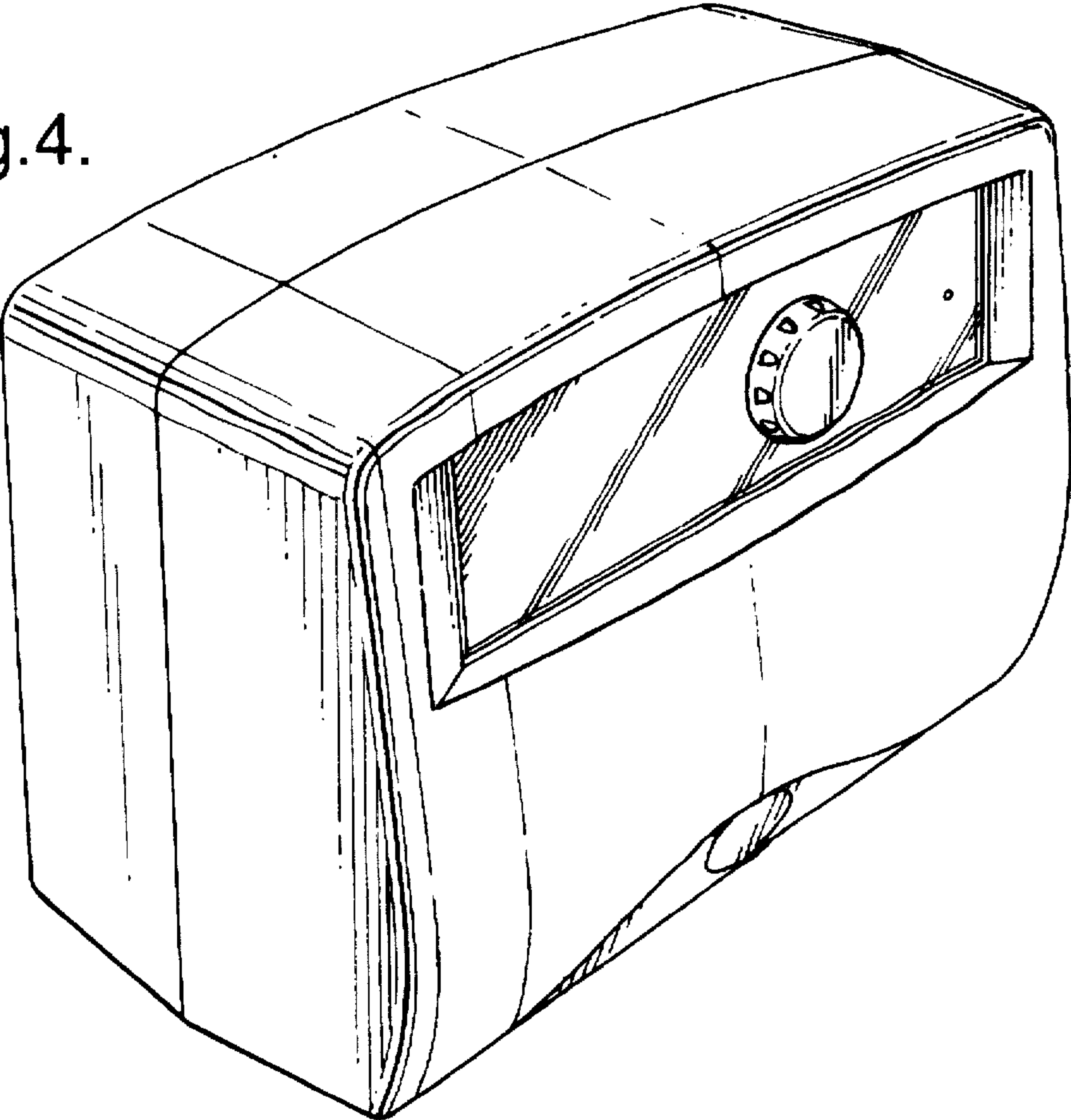


Fig.5.

