



US00D394265S

United States Patent [19]

Loo et al.

[11] Patent Number: **Des. 394,265**

[45] Date of Patent: ****May 12, 1998**

[54] **SPEAKER STAND**

[76] Inventors: **Dennis Loo**, 990 E. Oak St., Anaheim, Calif. 92805; **Jerry Axelro**, 1604 Wollacott St., Redondo Beach, Calif. 90278

[**] Term: **14 Years**

[21] Appl. No.: **60,201**

[22] Filed: **Sep. 24, 1996**

[51] **LOC (6) Cl.** **14-01**

[52] **U.S. Cl.** **D14/224**

[58] **Field of Search** D6/449, 495; D14/221, D14/224, 229, 299; 108/5, 6; 248/176.1, 346.01

[56] **References Cited**

U.S. PATENT DOCUMENTS

D. 68,679 11/1925 Van Guilder D14/224
D. 332,711 1/1993 Olson D6/449

D. 337,903 8/1993 Shelton, Jr. D6/449 X
3,643,604 2/1972 Jones et al. 108/5

OTHER PUBLICATIONS

Audio, p. 17. Sanus Systems Stands, Jul. 1993.

Primary Examiner—Ted Shooman
Assistant Examiner—Nanda Bondade
Attorney, Agent, or Firm—Marcia A. Devon

[57] **CLAIM**

The ornamental design for a speaker stand, as shown and described.

DESCRIPTION

FIG. 1 is a top plan view of the invention;
FIG. 2 is a front view of the invention;
FIG. 3 is a rear view of the invention;
FIG. 4 is a bottom plan view of the invention; and,
FIG. 5 is a right side view of the invention, the left side being a mirror image.

1 Claim, 2 Drawing Sheets

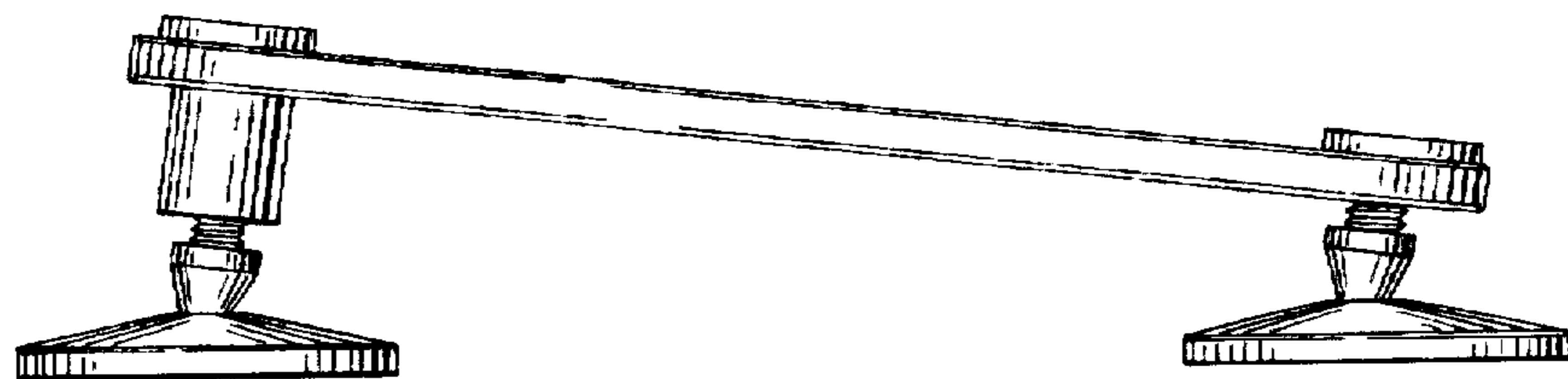
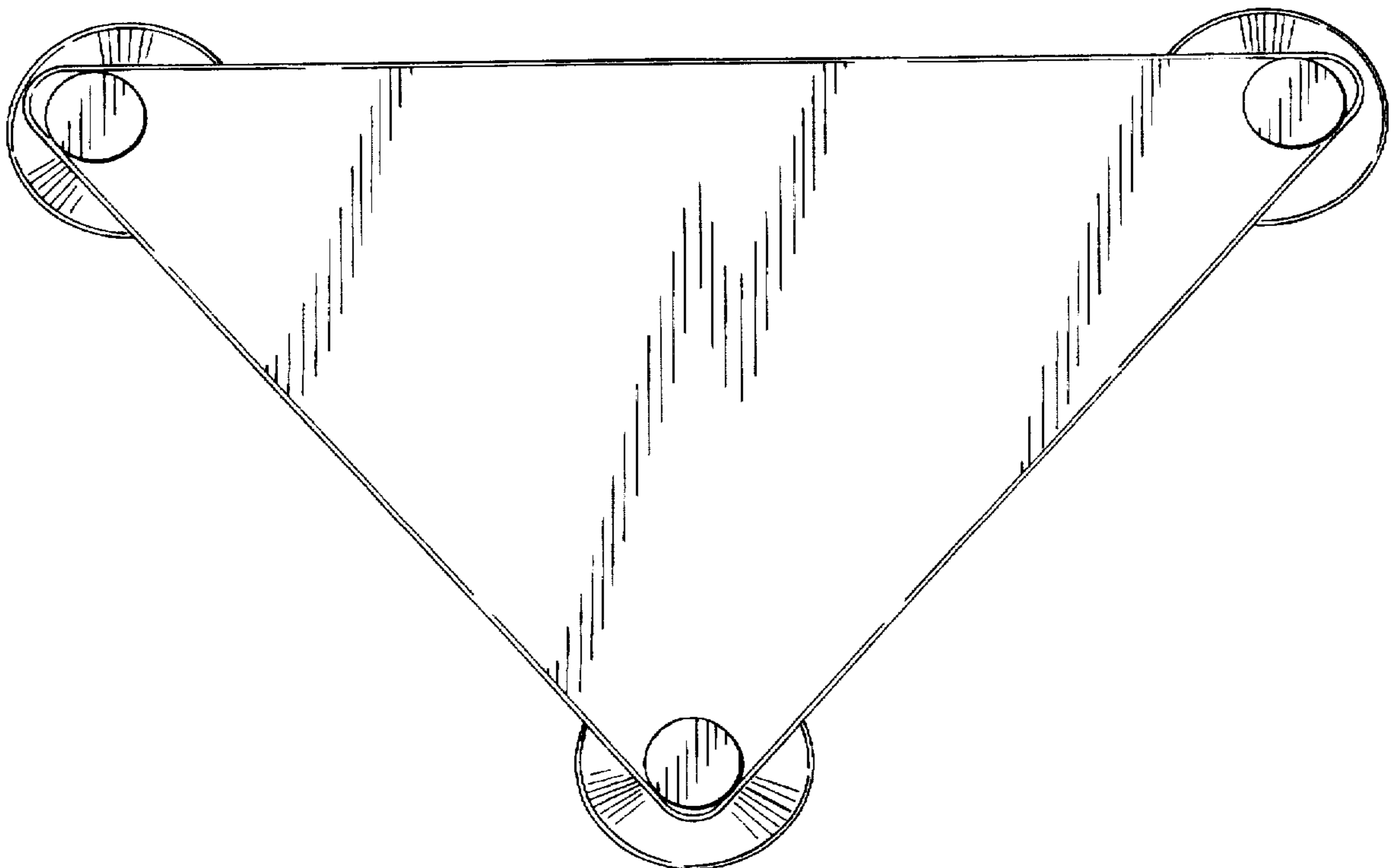


FIG. 1

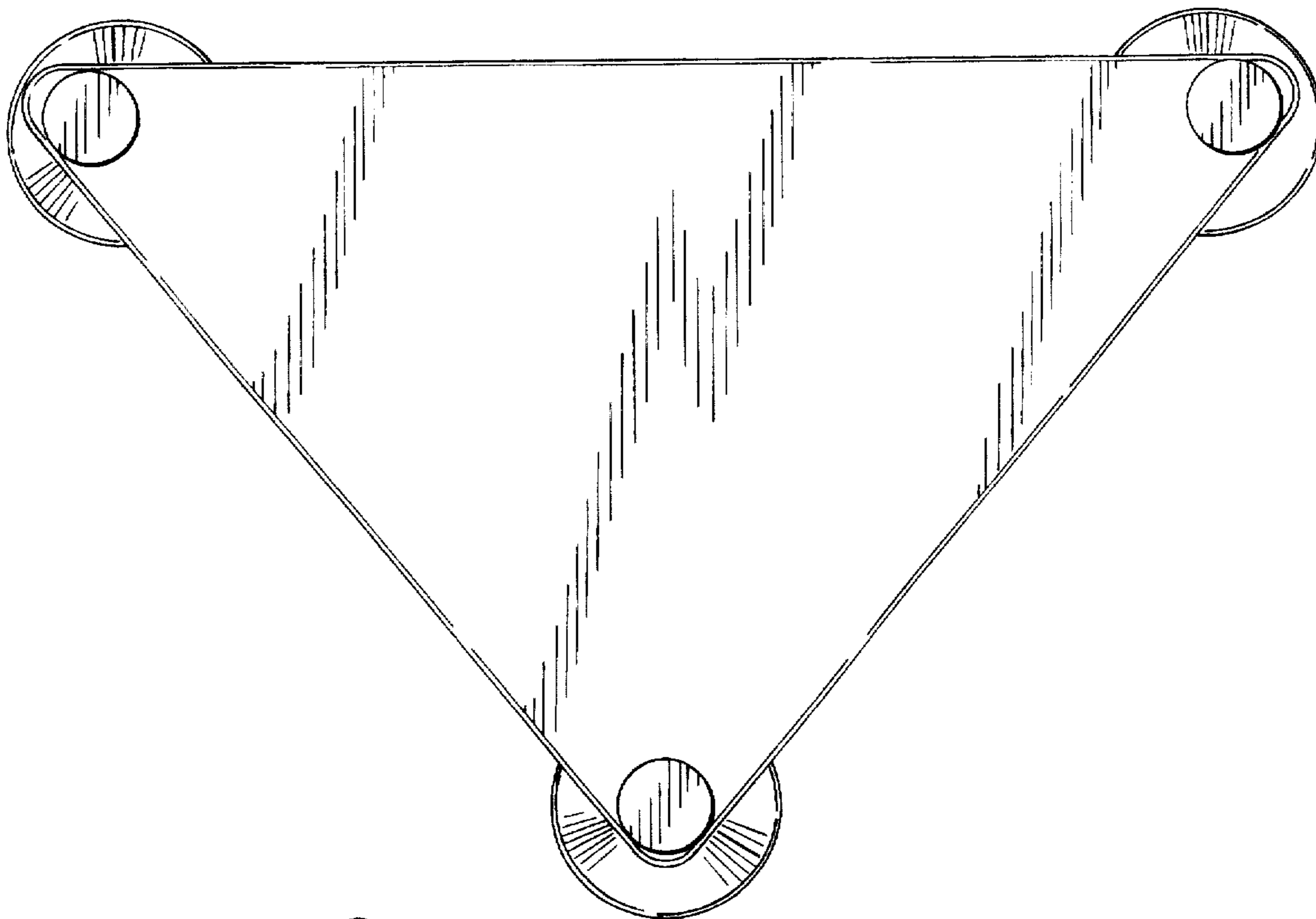


FIG. 2

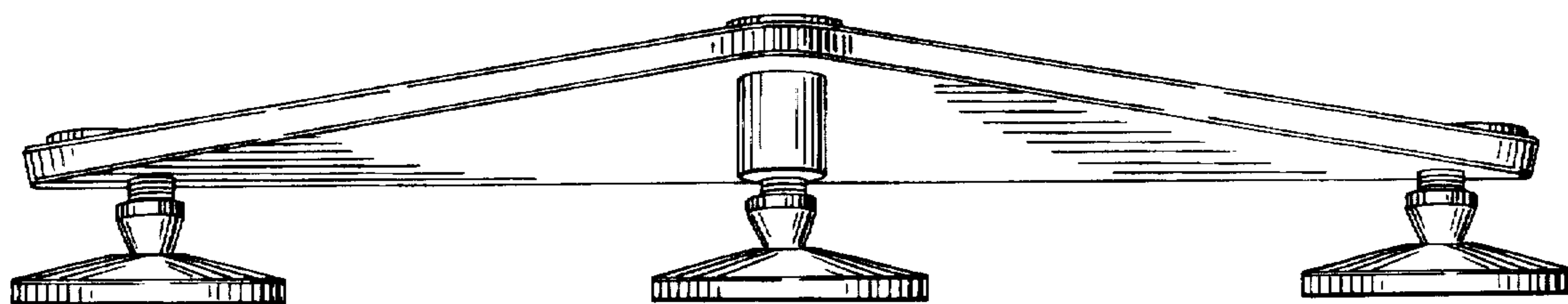
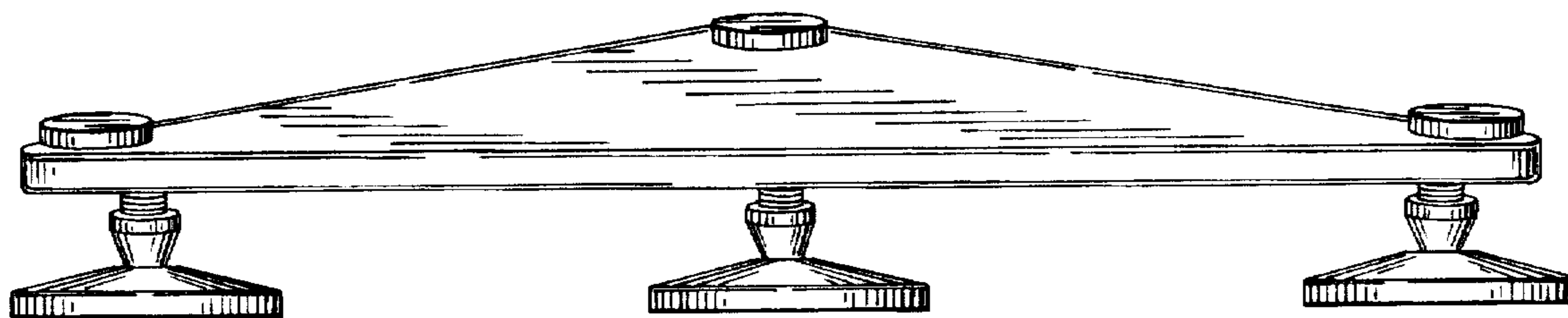


FIG. 3



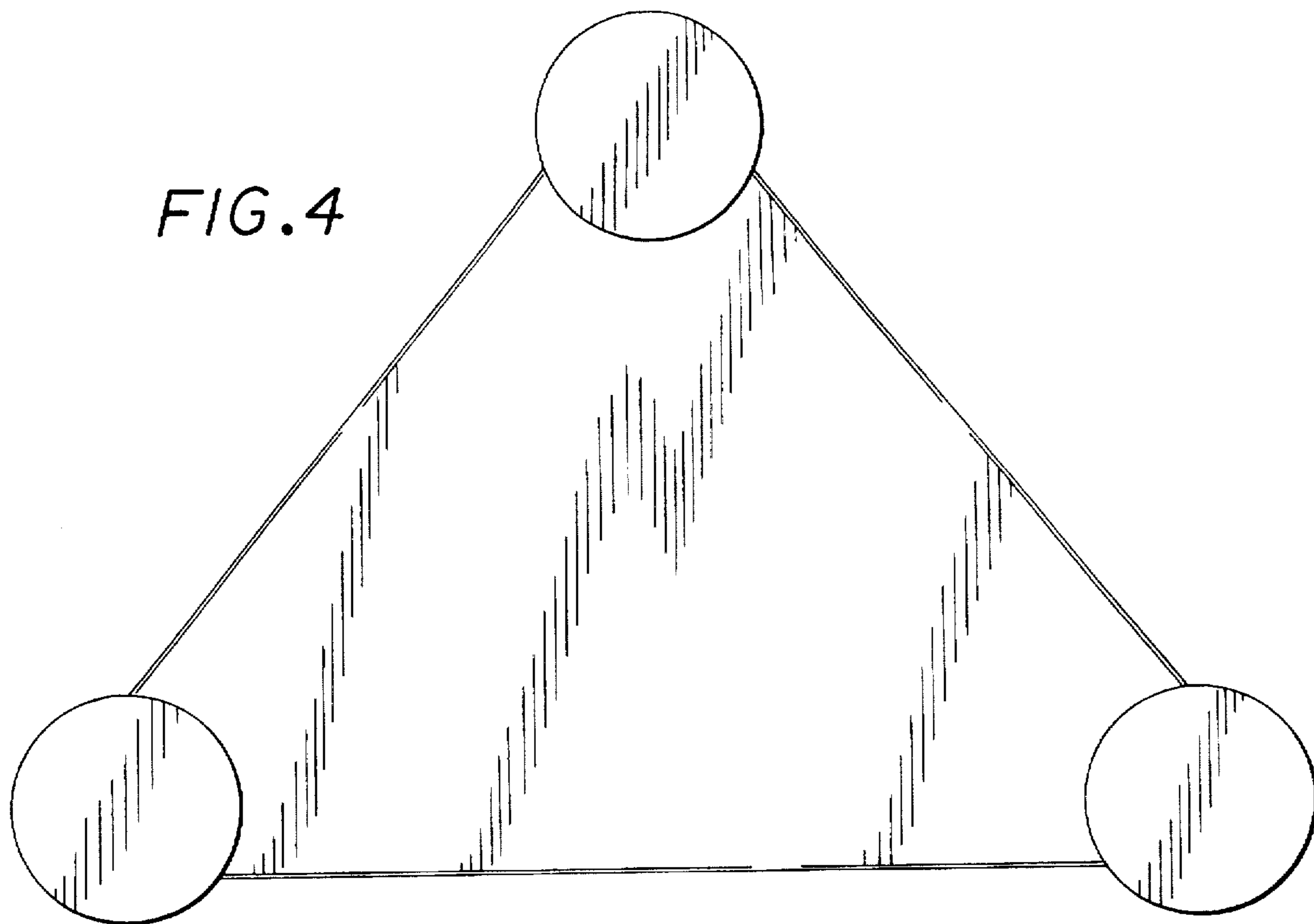


FIG. 5

