



US00D394262S

United States Patent [19]

Cross et al.

[11] Patent Number: Des. 394,262

[45] Date of Patent: **May 12, 1998

[54] **AUDIO AMPLIFIER**

[75] Inventors: **David W. Cross**, Johnston; **Gregory M. Farres**, West Des Moines, both of Iowa

[73] Assignee: **Amplitude L.C.**, Johnston, Iowa

[**] Term: **14 Years**

[21] Appl. No.: **56,895**

[22] Filed: **Jul. 11, 1996**

[51] LOC (6) Cl. **14-03**

[52] U.S. Cl. **D14/188**

[58] Field of Search D14/124, 137, D14/155, 162-163, 168-169, 172, 188-189, 193-198, 265, 299; 312/7.1; 455/100, 128, 344, 347, 350, 351

[56] **References Cited**

U.S. PATENT DOCUMENTS

- D. 235,682 7/1975 Haas D14/197
- D. 236,212 8/1975 Beigel et al. D14/188 X
- D. 238,789 2/1976 Ross D14/188
- D. 267,949 2/1983 Hisatsune D14/188

D. 316,716 5/1991 Nagata D14/188

Primary Examiner—Ted Shooman
Assistant Examiner—Nanda Bondade
Attorney, Agent, or Firm—Zarley, McKee, Thomte, Voorhees, & Sease

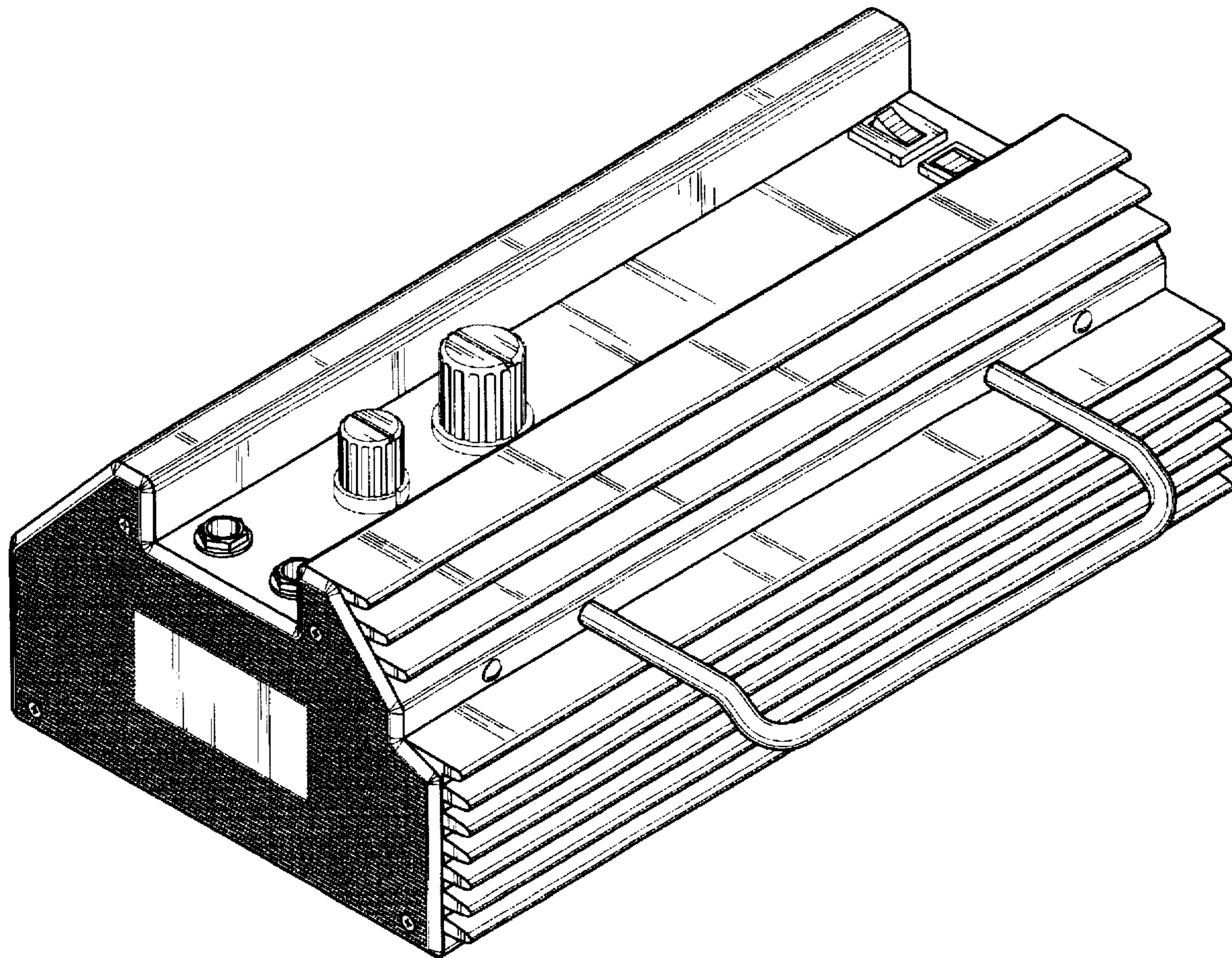
[57] **CLAIM**

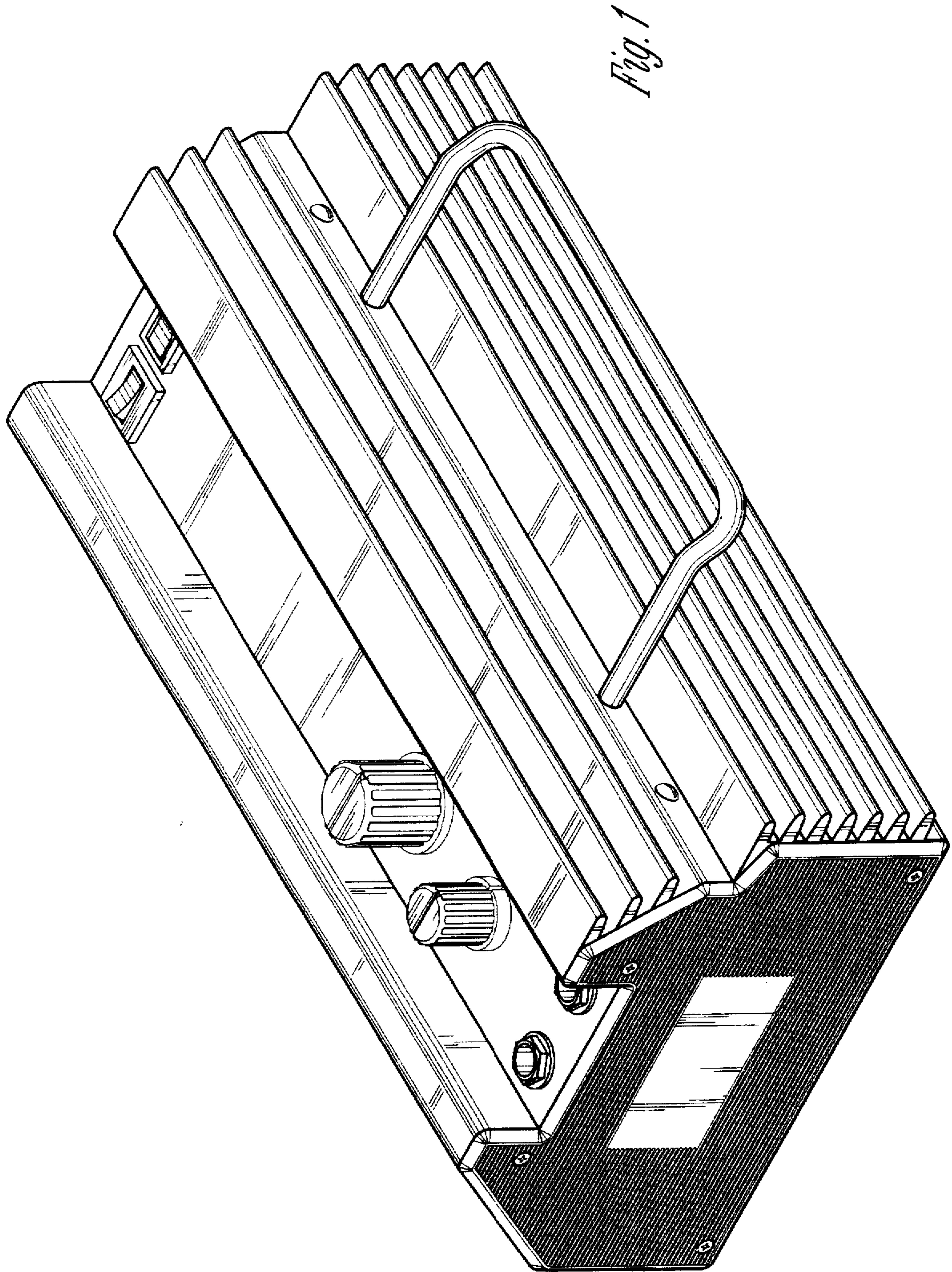
The ornamental design for an audio amplifier, as shown and described.

DESCRIPTION

FIG. 1 is a perspective view of an audio amplifier showing our new design;
 FIG. 2 is a top plan view thereof;
 FIG. 3 is an end elevational view thereof as seen from the lefthand end of FIG. 1;
 FIG. 4 is an end elevational view opposite to that of FIG. 3;
 FIG. 5 is a side elevational view as seen from the righthand side of FIG. 3;
 FIG. 6 is a side elevational view as seen from the lefthand side of FIG. 3; and,
 FIG. 7 is a bottom plan view thereof.

1 Claim, 6 Drawing Sheets





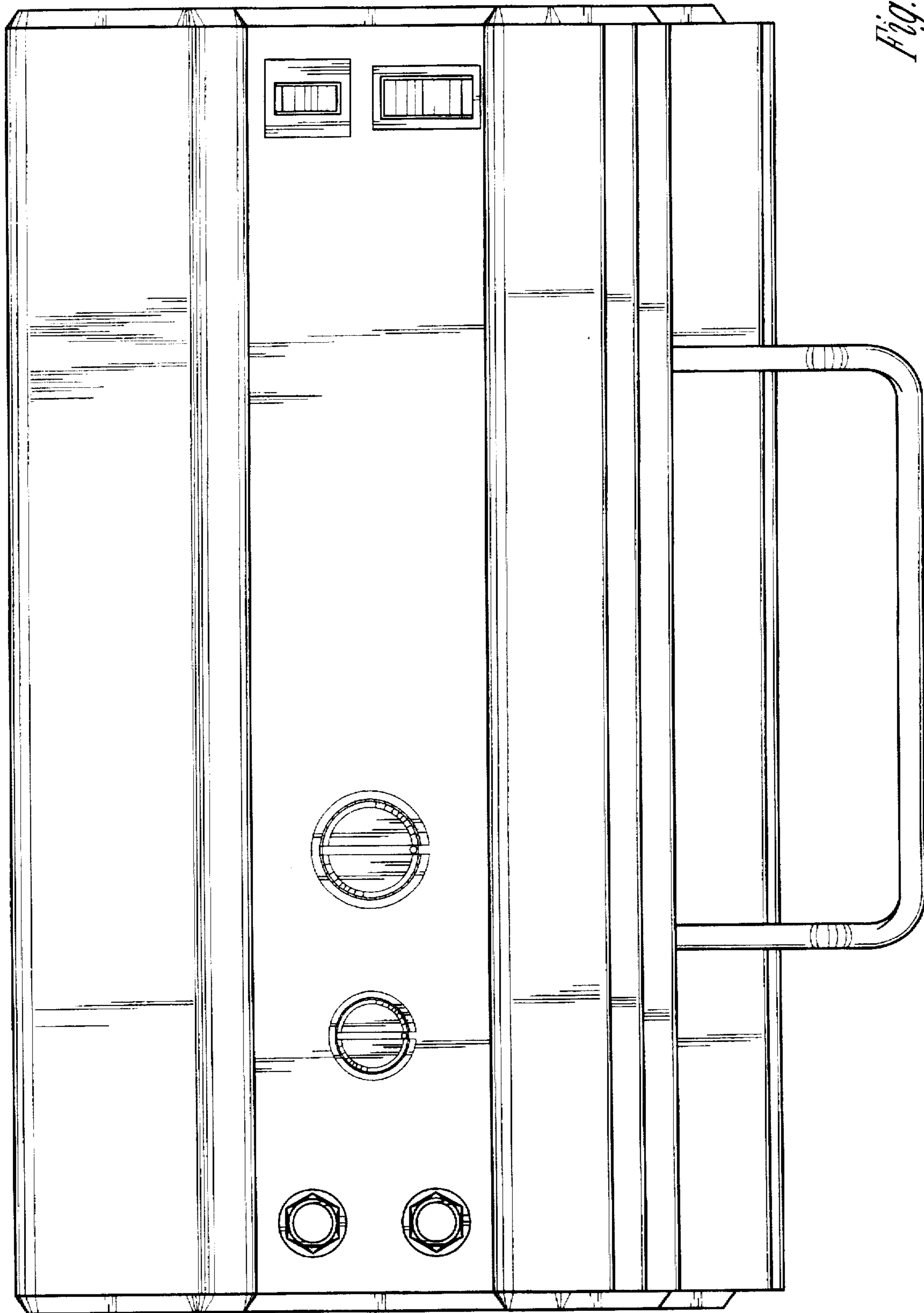


Fig. 2

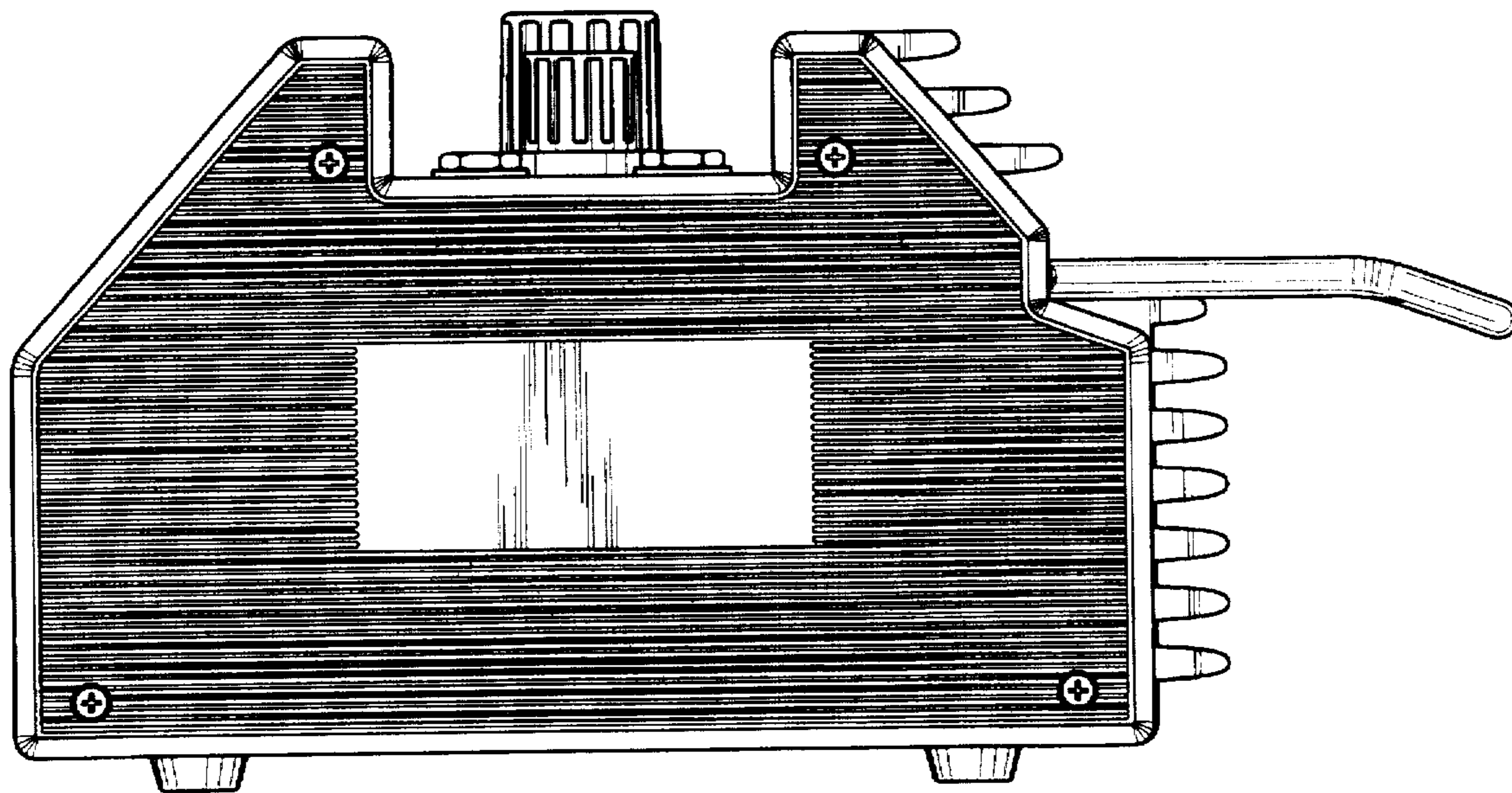


Fig. 3

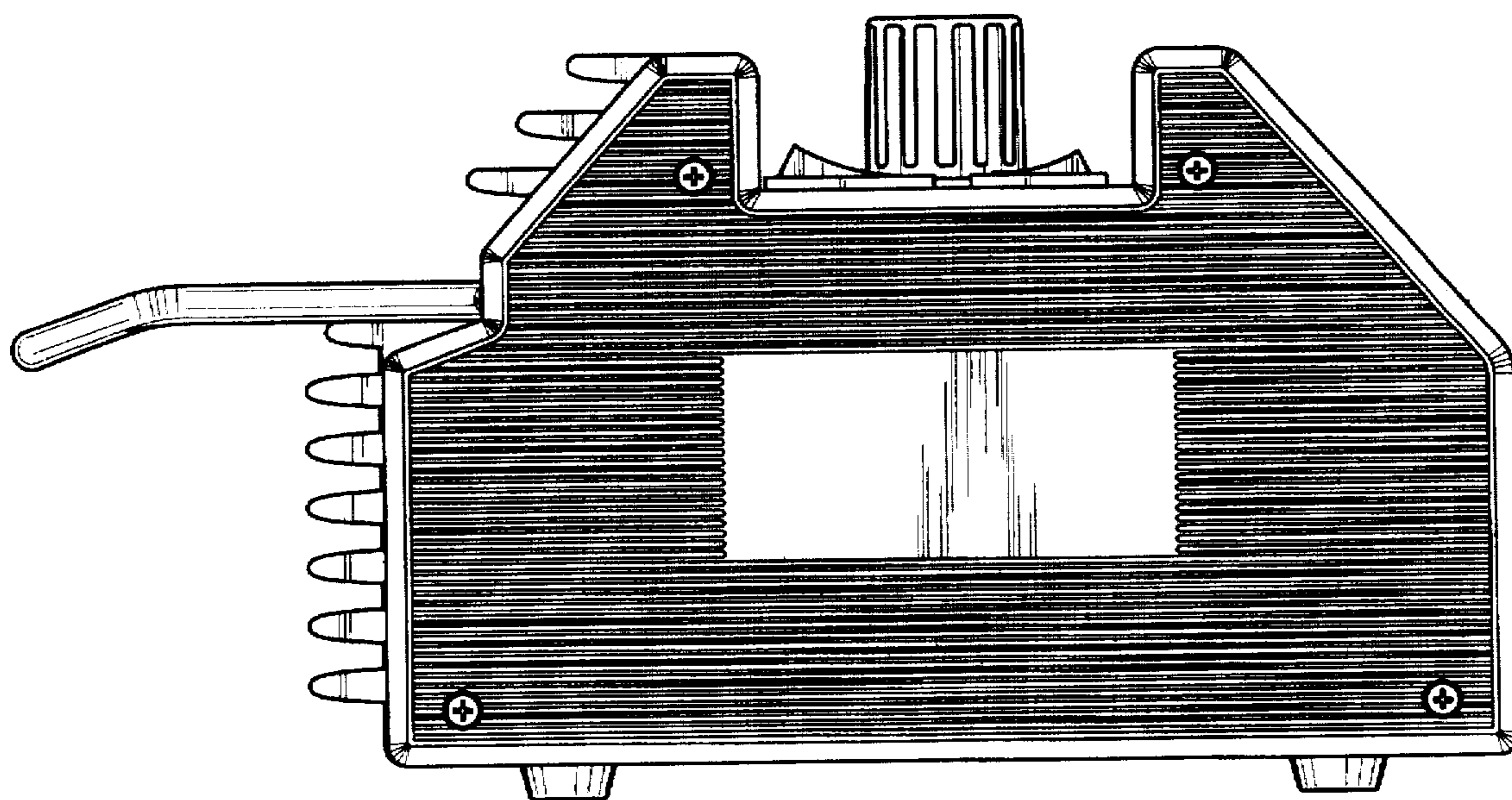


Fig. 4

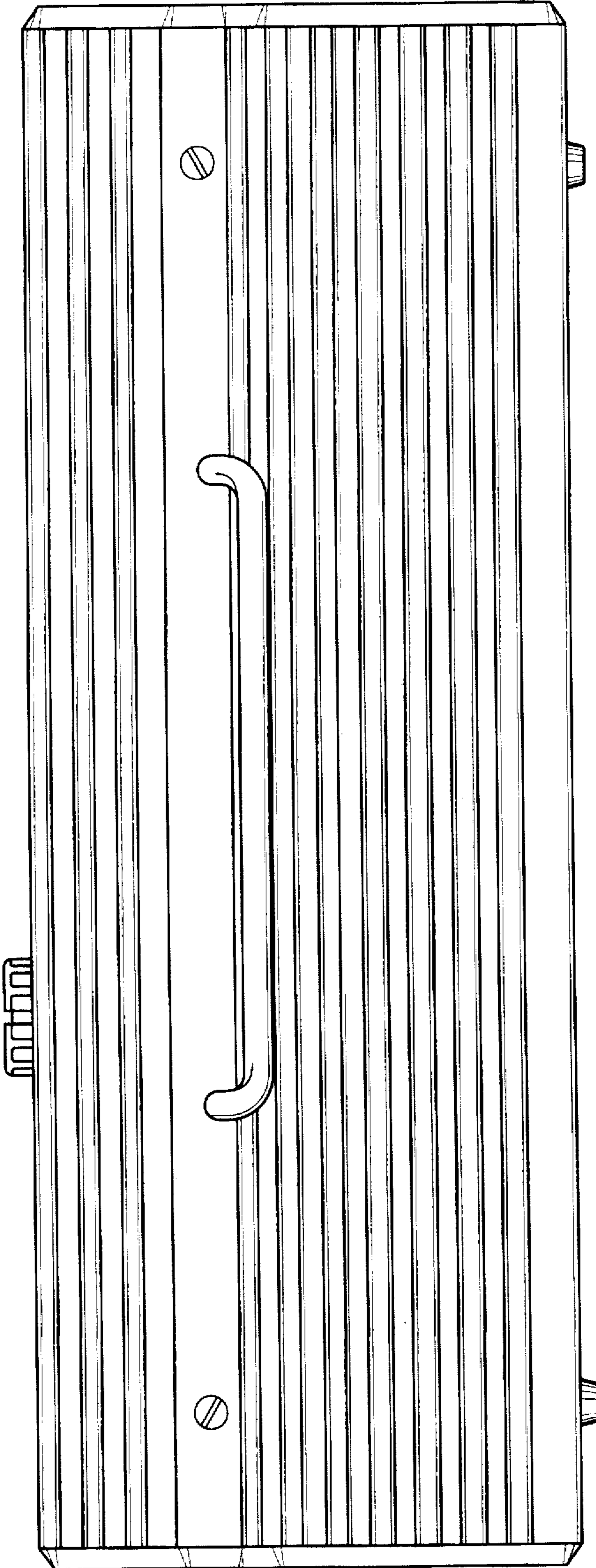


Fig. 5

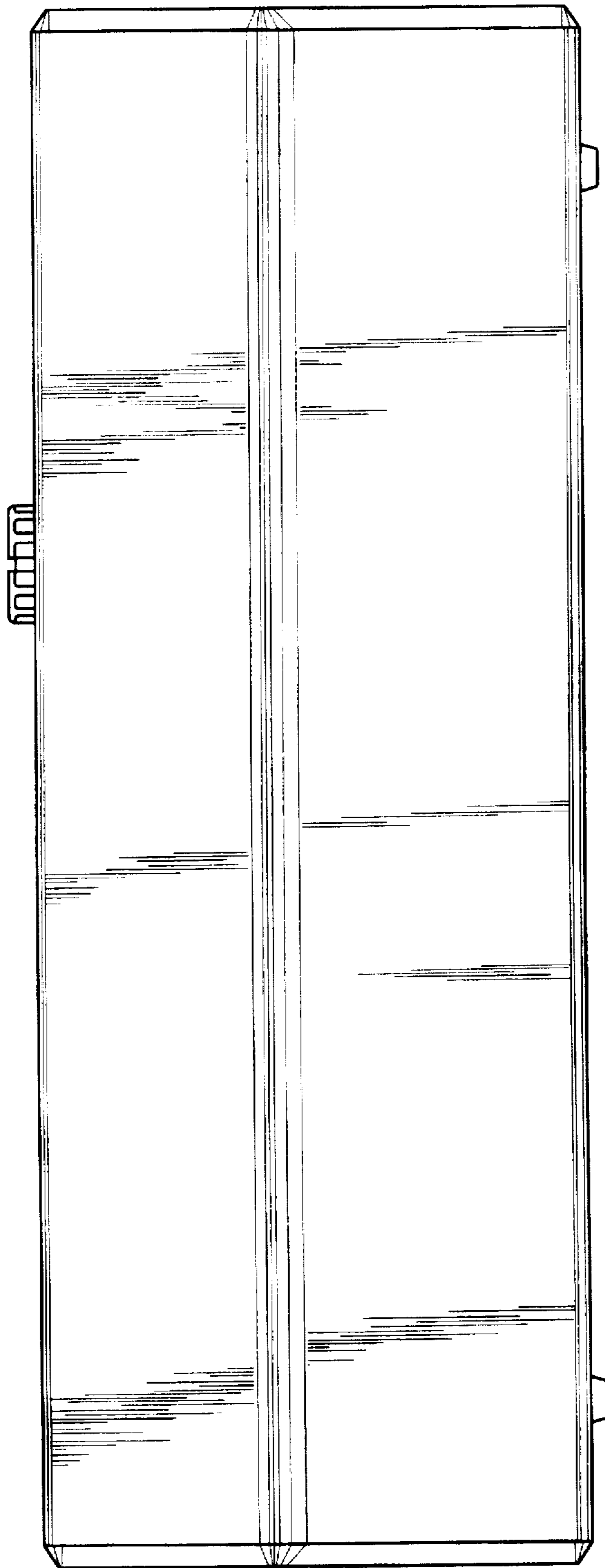


Fig. 6

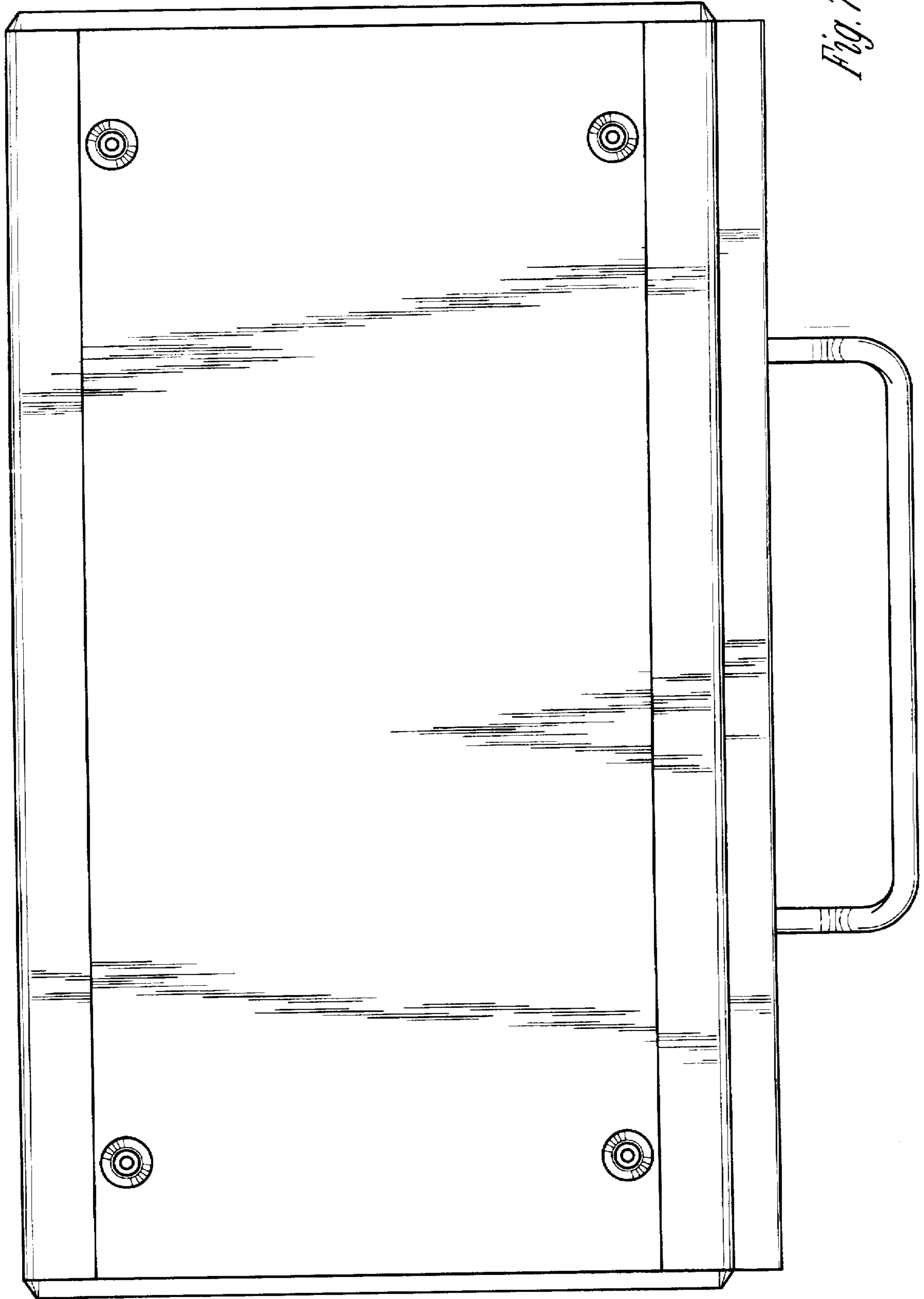


Fig. 7