



US00D394260S

# United States Patent [19]

Ito et al.

[11] Patent Number: **Des. 394,260**

[45] Date of Patent: **\*\*May 12, 1998**

[54] **COMBINED DIGITAL AUDIO DISC PLAYER AND TAPE RECORDER**

D. 304,941	12/1989	Ito et al.	.....	D14/156
D. 321,192	10/1991	Ito et al.	.....	D14/162
D. 345,359	3/1994	Yamane	.....	D14/157

[75] Inventors: **Masafumi Ito; Minoru Sube; Hiroyuki Watanabe; Yukio Iikura.** all of Musashino, Japan

*Primary Examiner*—B. J. Bullock  
*Attorney, Agent, or Firm*—Ladas & Parry

[73] Assignee: **Teac Corporation.** Japan

[57] **CLAIM**

[\*\*] Term: **14 Years**

The ornamental design for a combined digital audio disc player and tape recorder, as shown and described.

[21] Appl. No.: **64,552**

### DESCRIPTION

[22] Filed: **Jan. 6, 1997**

[30] **Foreign Application Priority Data**

Jul. 10, 1996 [JP] Japan ..... 8-20646

[51] **LOC (6) Cl.** ..... **14-01**

[52] **U.S. Cl.** ..... **D14/156; D14/162; D14/164; D14/168**

[58] **Field of Search** ..... **D14/156, 157, D14/162, 164, 168; 369/75.2, 77.1, 77.2**

FIG. 1 is a perspective view of a combined digital audio disc player and tape recorder showing our new design;

FIG. 2 is a front view thereof;

FIG. 3 is a rear view thereof;

FIG. 4 is a right side view thereof;

FIG. 5 is a left side view thereof;

FIG. 6 is a top view thereof; and.

FIG. 7 is a bottom view thereof.

[56] **References Cited**

#### U.S. PATENT DOCUMENTS

D. 289,947 5/1987 Katou et al. .... D14/156

**1 Claim, 3 Drawing Sheets**

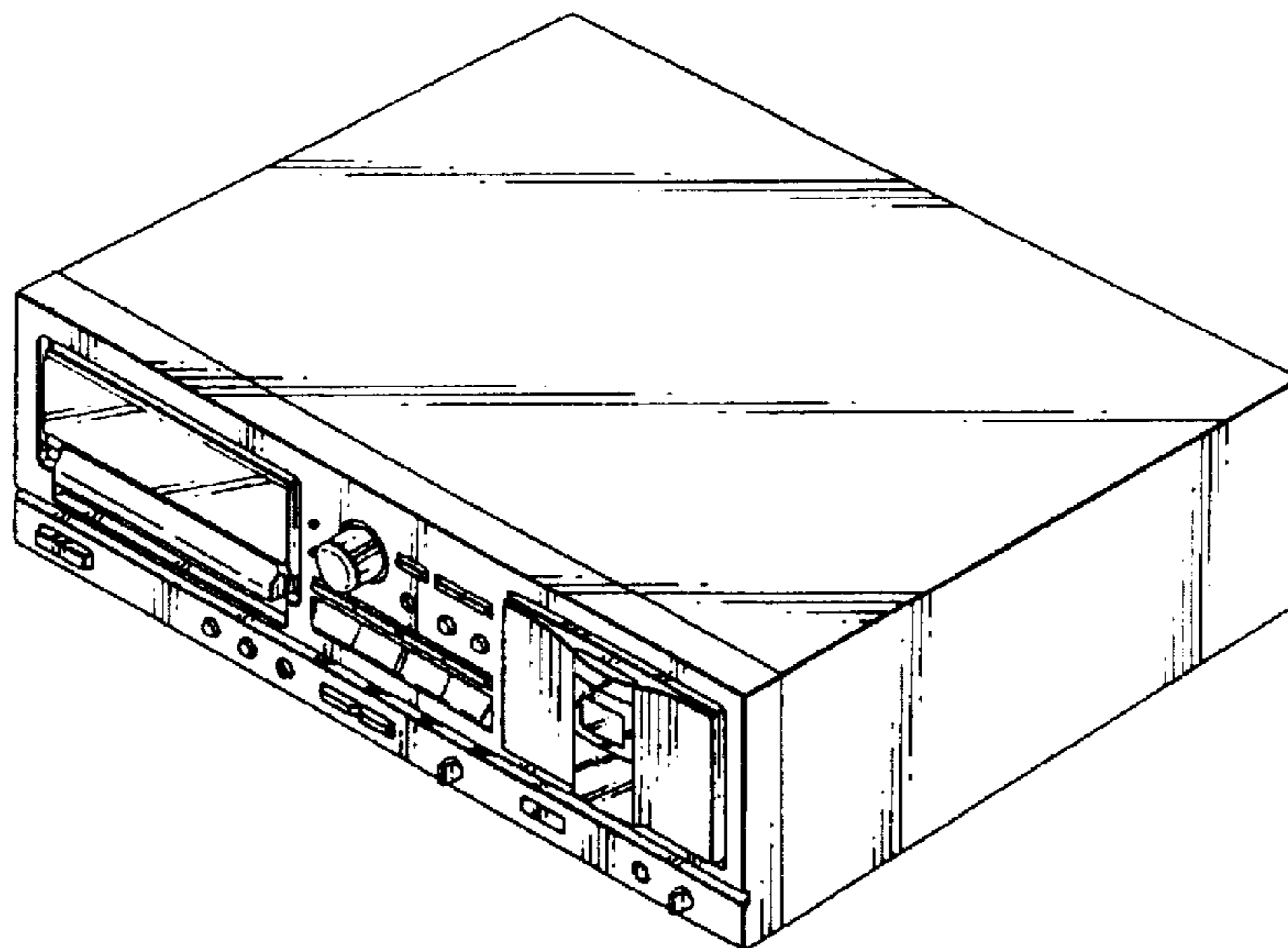


FIG. 1

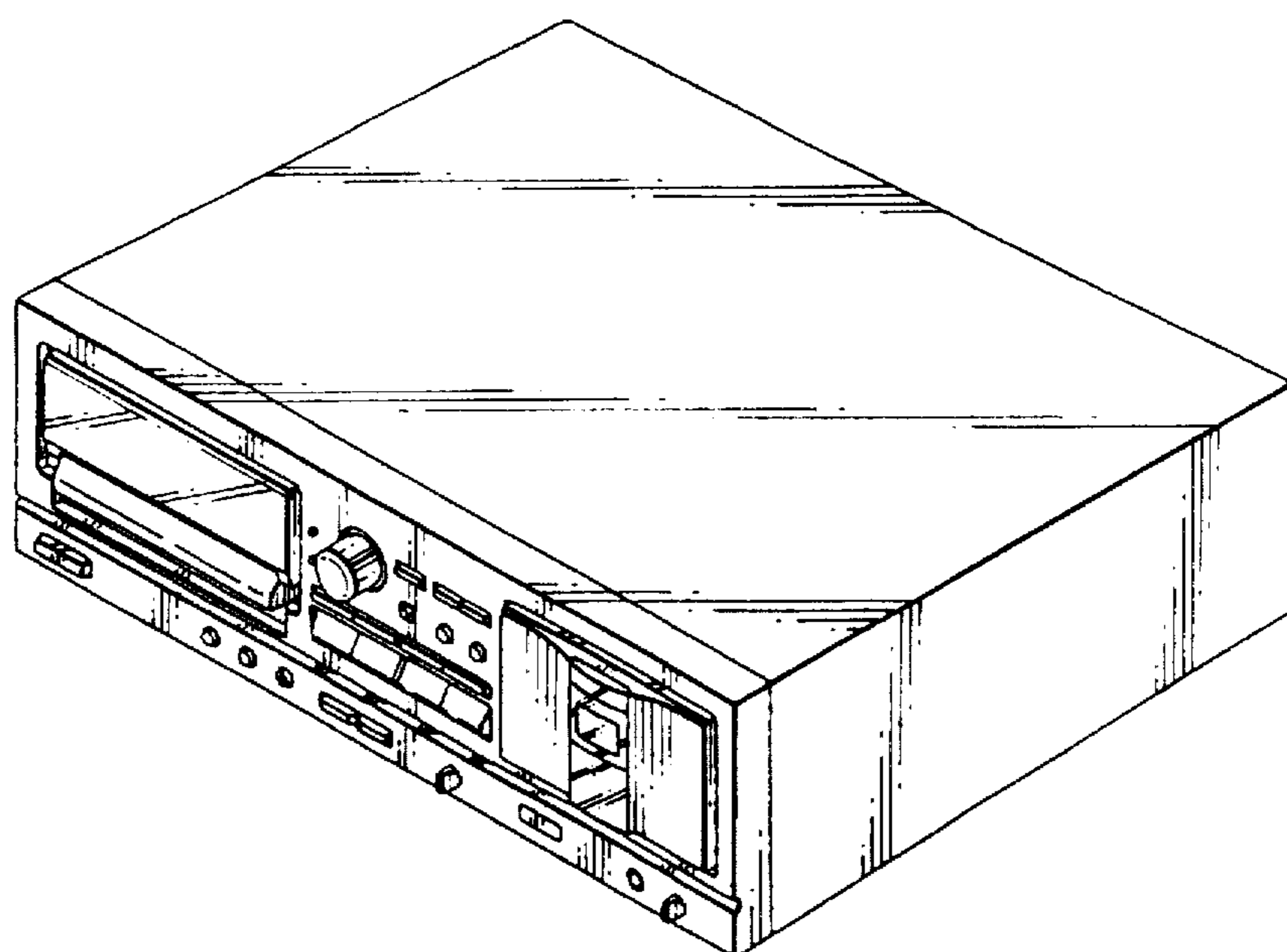


FIG. 2

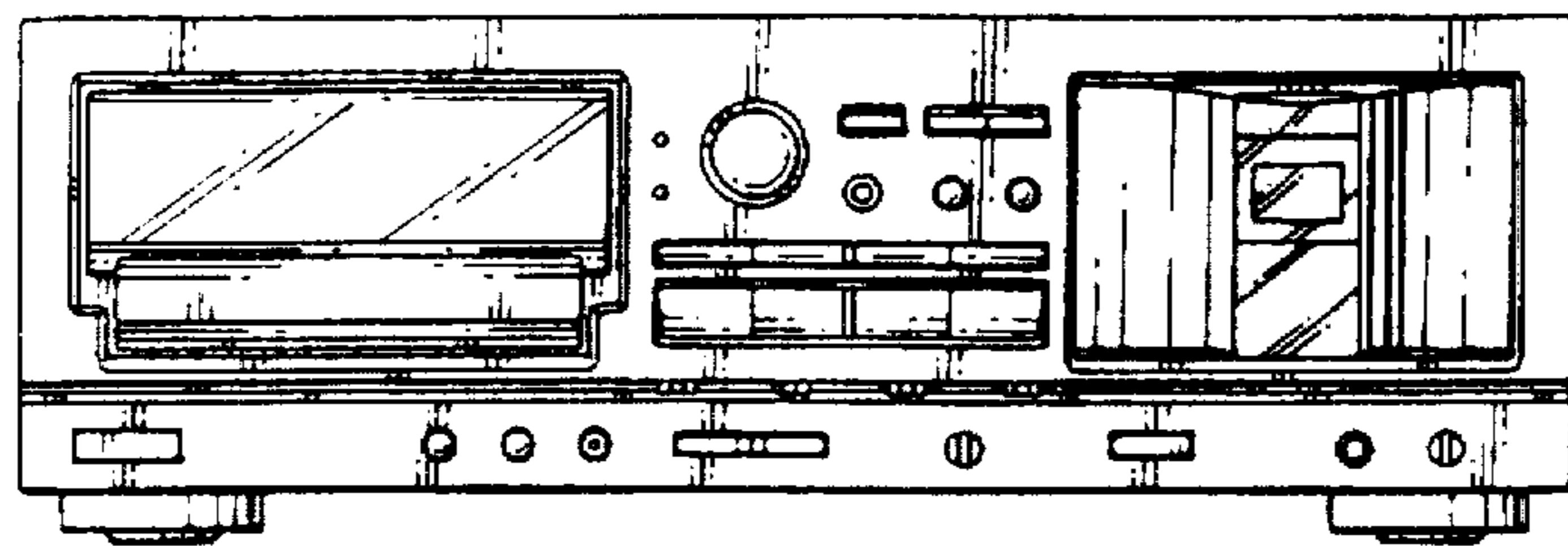


FIG. 3

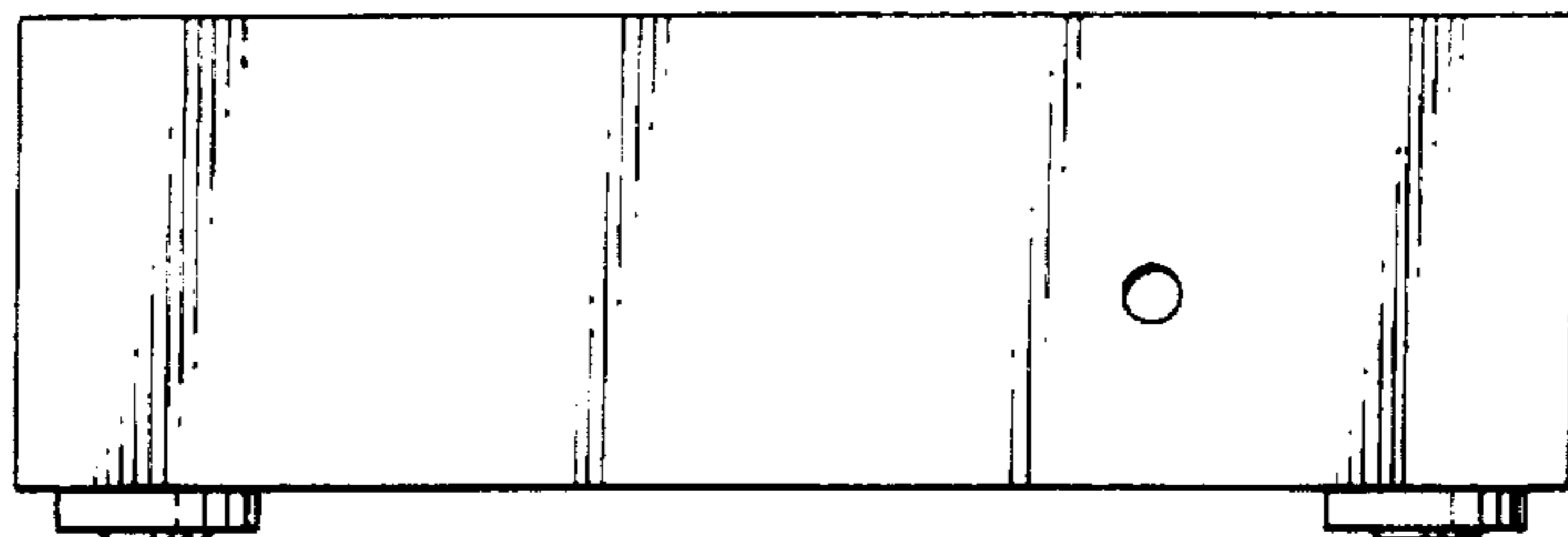


FIG. 4

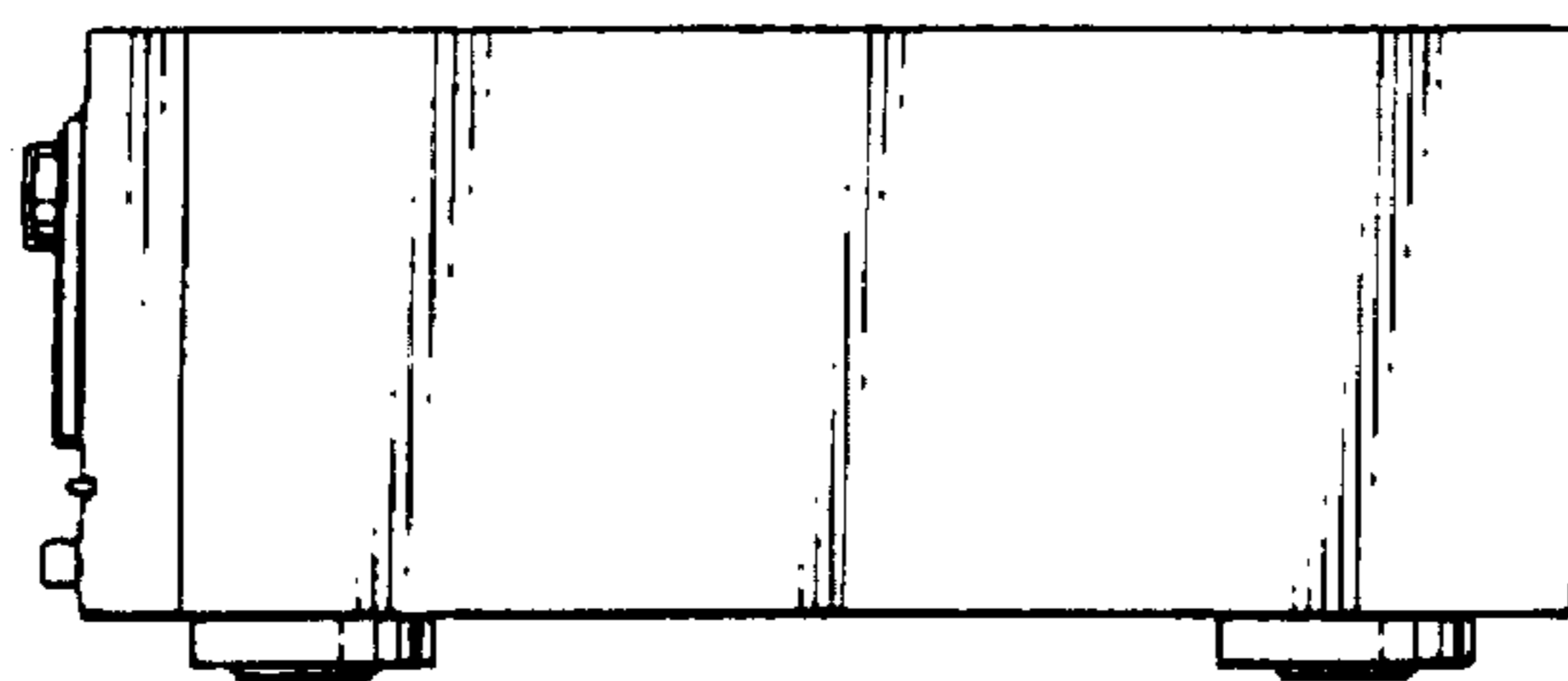


FIG. 5

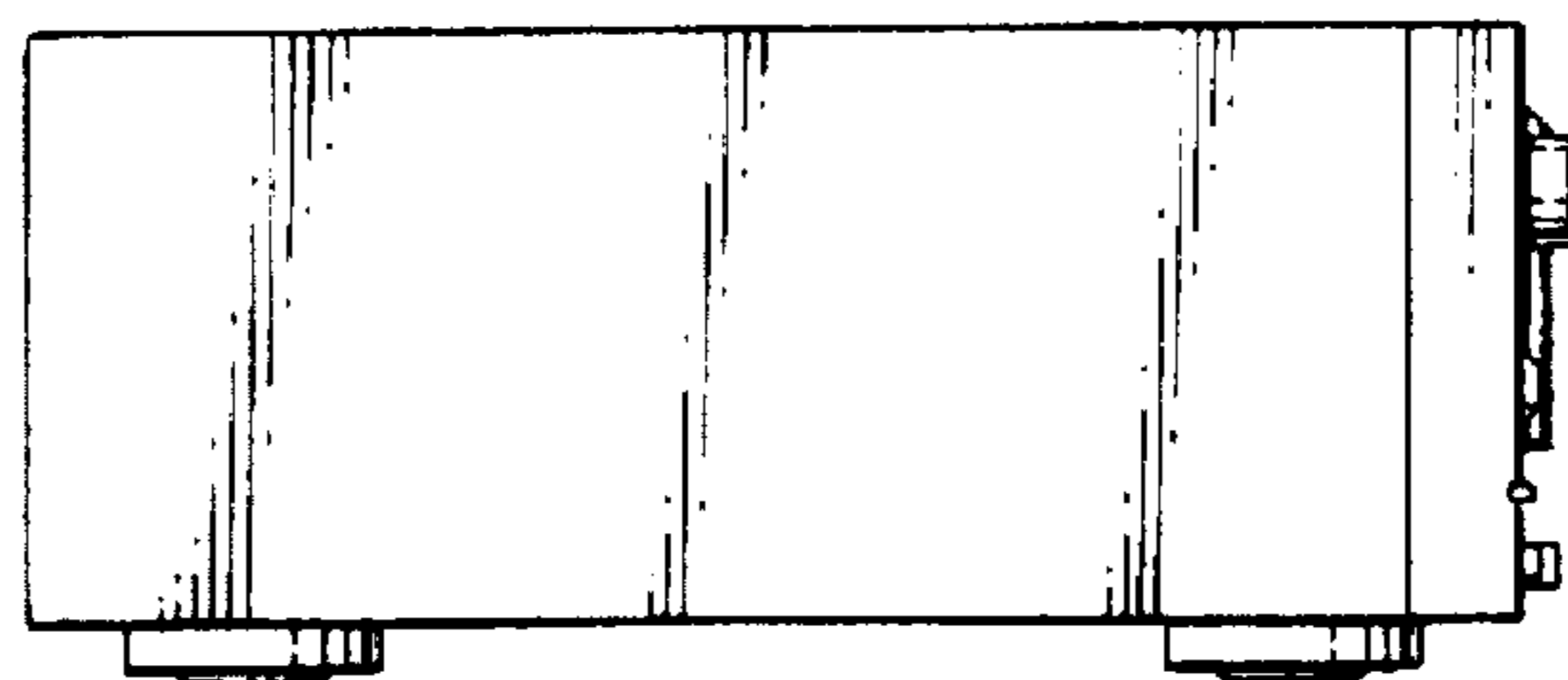


FIG. 6

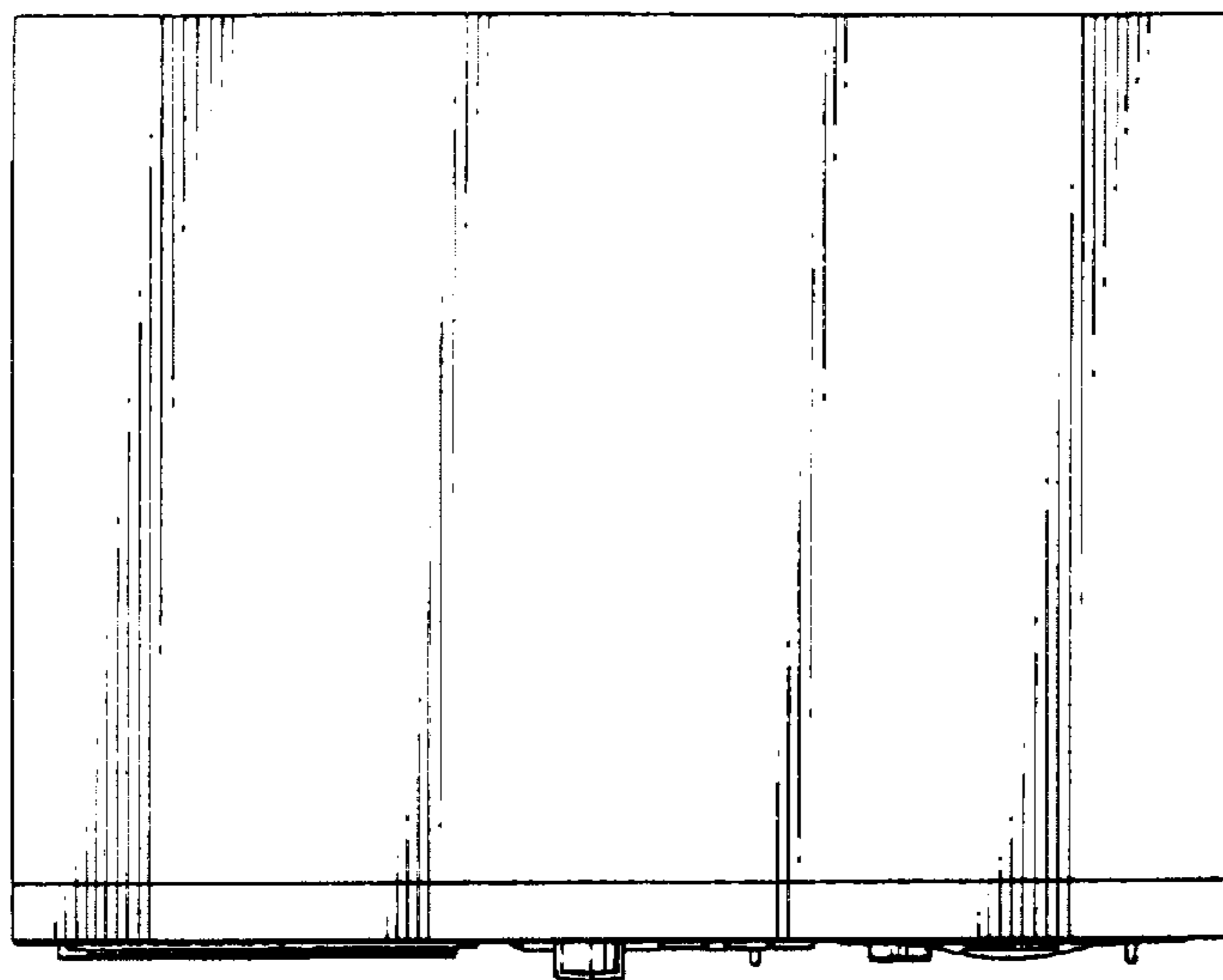


FIG. 7

