



US00D394258S

United States Patent [19]
Fitzgerald

[11] **Patent Number: Des. 394,258**

[45] **Date of Patent: **May 12, 1998**

[54] **BASE FOR A TELEPHONE HEADSET**

[76] **Inventor: Robert M. Fitzgerald, 233 Milwaukee, Denver, Colo. 80206**

[**] **Term: 14 Years**

[21] **Appl. No.: 72,518**

[22] **Filed: Jun. 17, 1997**

[51] **LOC (6) Cl. 14-03**

[52] **U.S. Cl. D14/150**

[58] **Field of Search D14/100, 107, D14/114, 137, 140, 142, 143, 144, 149-151, 240, 241; 379/419, 420, 428, 440, 433-436, 430**

[56] **References Cited**

U.S. PATENT DOCUMENTS

D. 284,660	7/1986	Montague et al.	D14/144
D. 294,824	3/1988	Lin	D14/150
D. 300,628	4/1989	Wu	D14/151
D. 311,185	10/1990	Chiassi	D14/142
D. 315,896	4/1991	Brown	D14/100
D. 315,904	4/1991	Cheng	D14/150
D. 372,480	8/1996	Bungardt	D14/150 X

D. 375,496	11/1996	Jensen et al.	D14/150
4,875,234	10/1989	Tragatsching	379/420 X
5,099,514	3/1992	Acree	379/430 X

Primary Examiner—Jeffrey Asch
Attorney, Agent, or Firm—Davis, Graham & Stubbs LLP

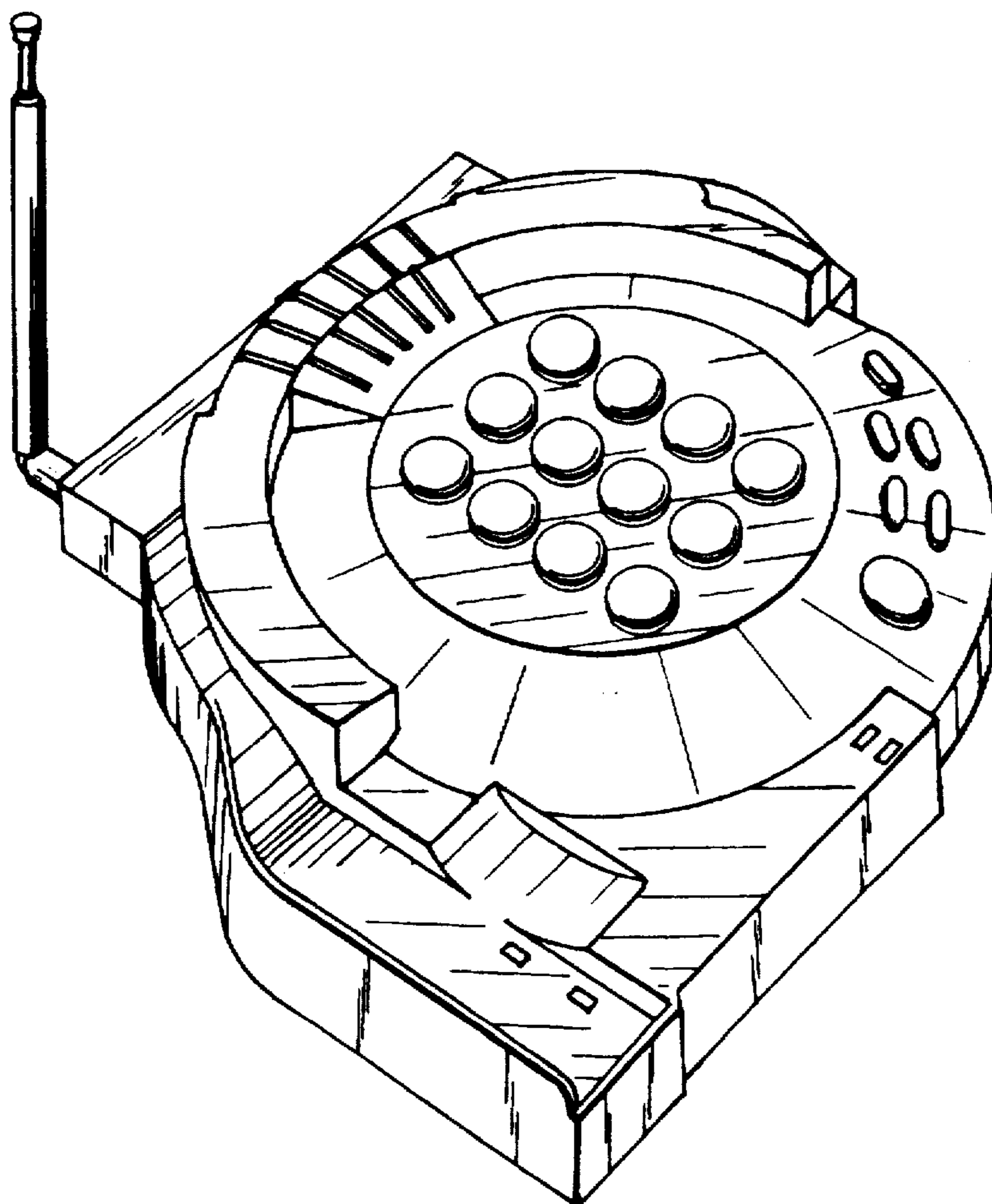
[57] **CLAIM**

The ornamental design for a base for a telephone headset, as shown and described.

DESCRIPTION

FIG. 1 is a right side front perspective view of a base for a telephone headset showing my new design;
FIG. 2 is a top plan view;
FIG. 3 is a front elevation view;
FIG. 4 is a right side elevation view;
FIG. 5 is a left side elevation view;
FIG. 6 is a rear elevation view; and
FIG. 7 is a right side front perspective view thereof showing, in phantom, a telephone headset resting therein.
The antenna has been shown broken away in FIGS. 3-6 for convenience of illustration. The broken line showing of FIG. 7 is for illustrative purposes only and forms no part of the claimed design.

1 Claim, 3 Drawing Sheets



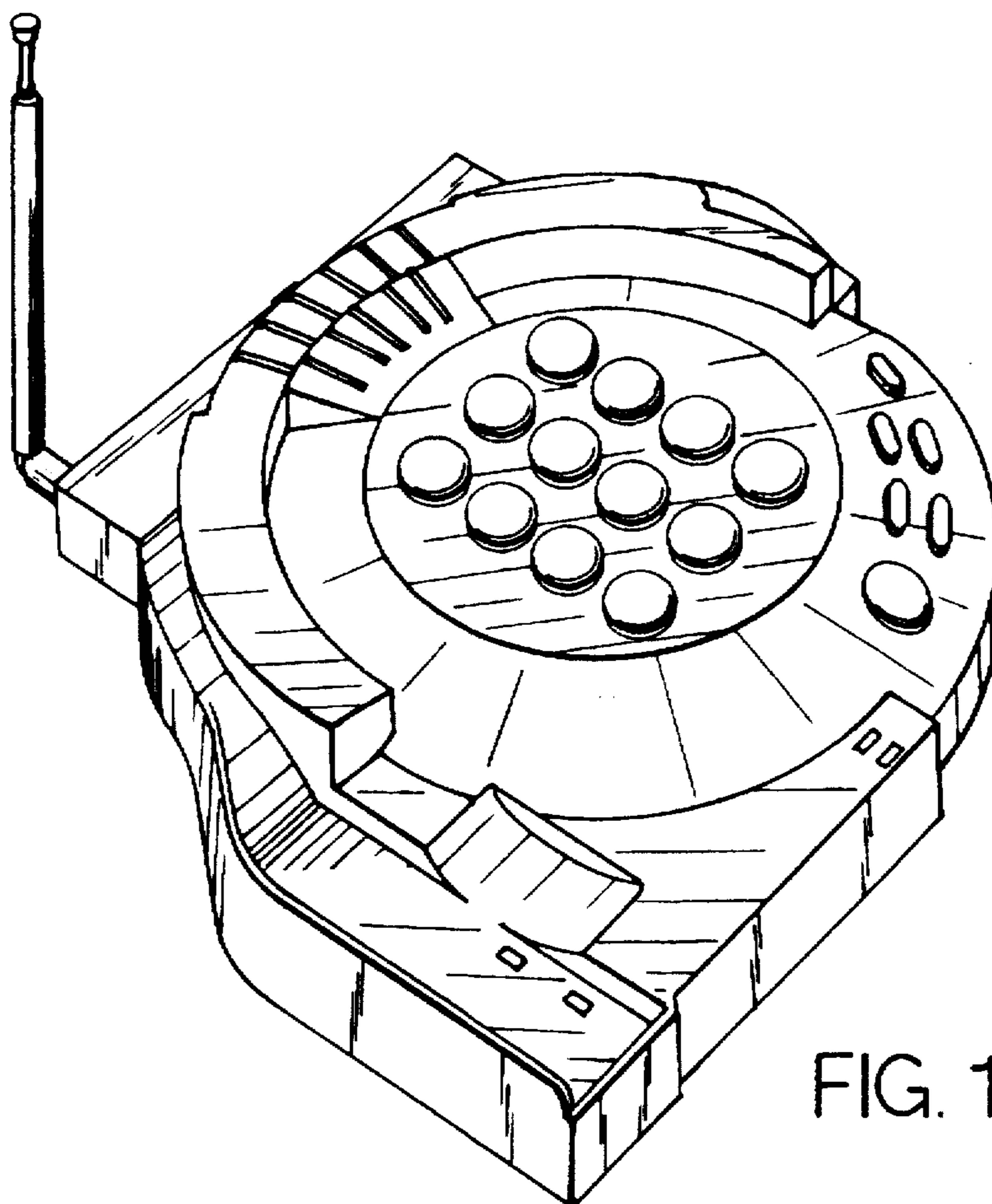


FIG. 1

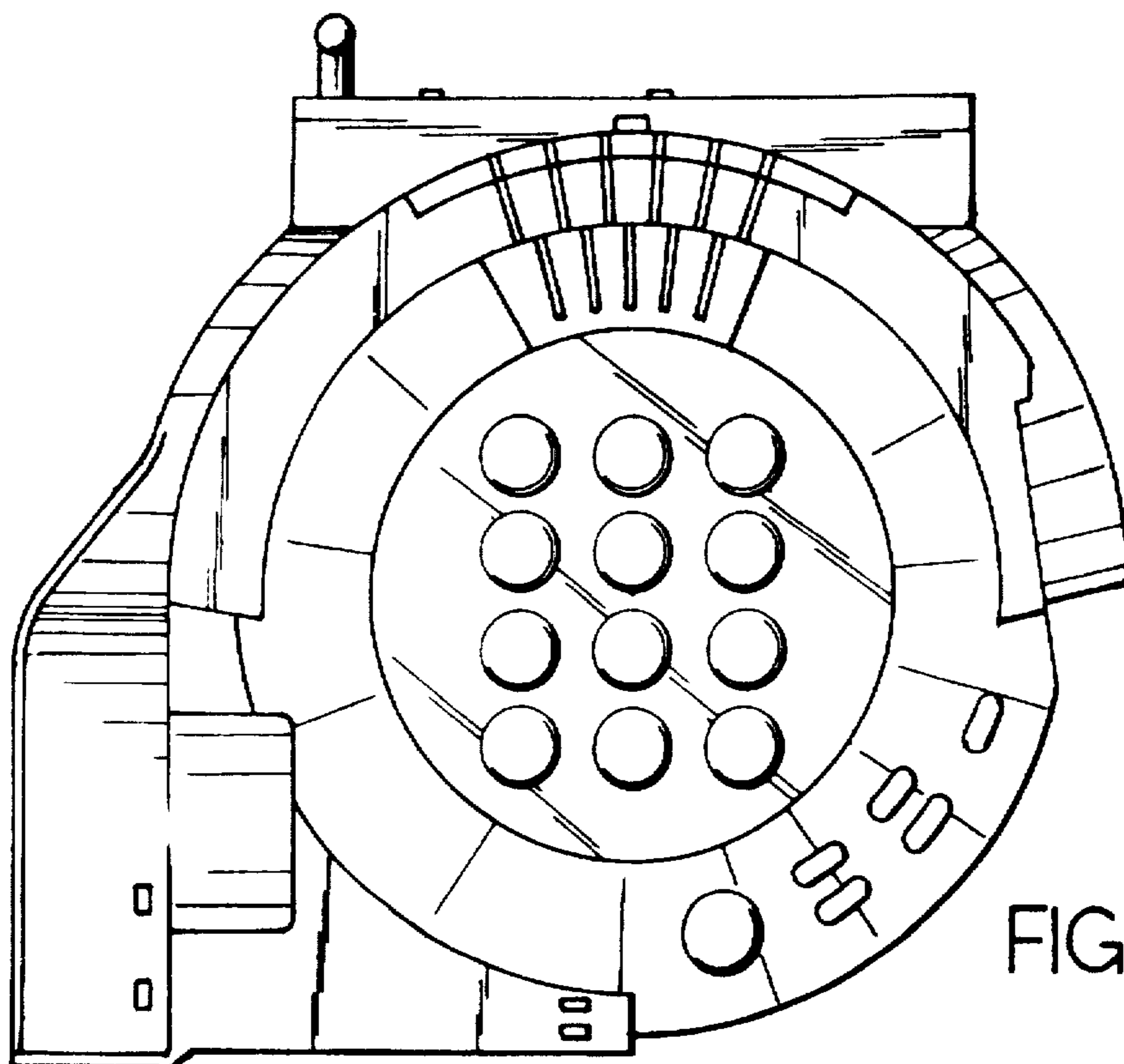


FIG. 2

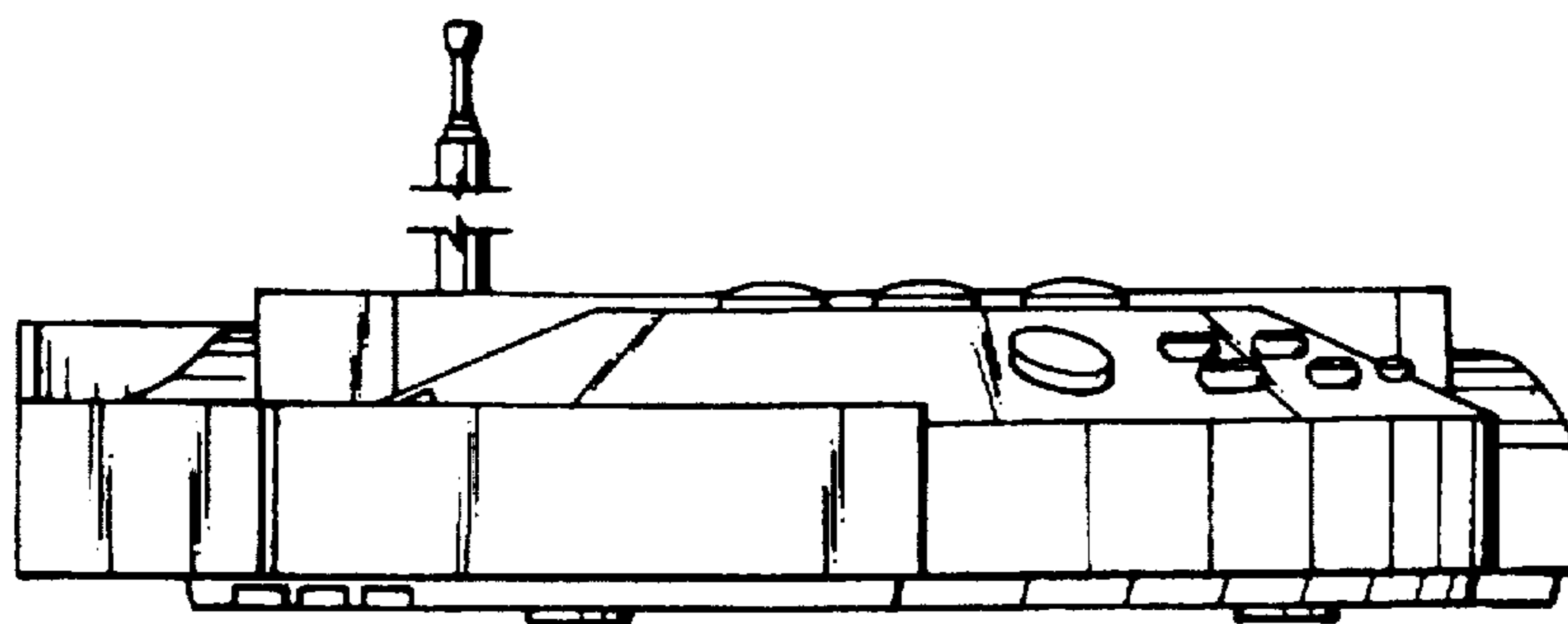


FIG. 3

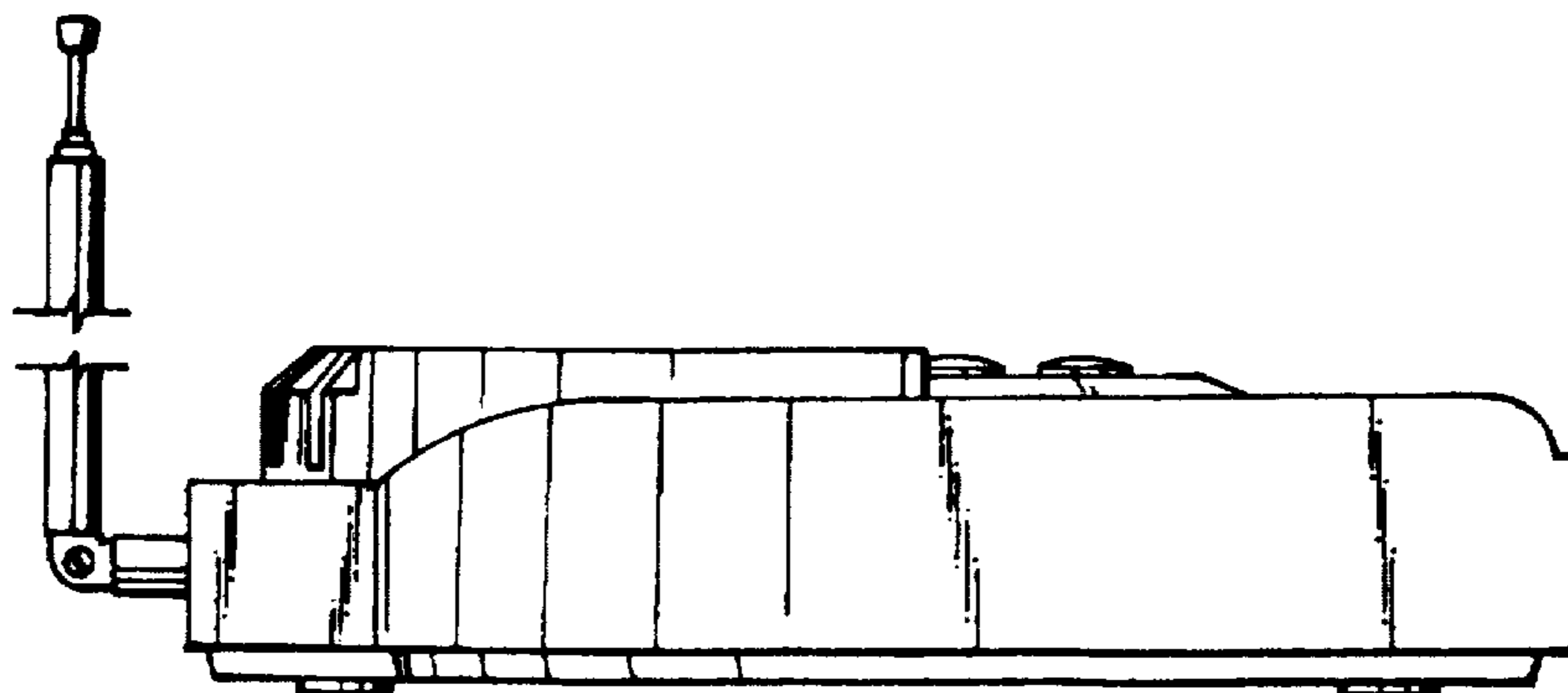


FIG. 4

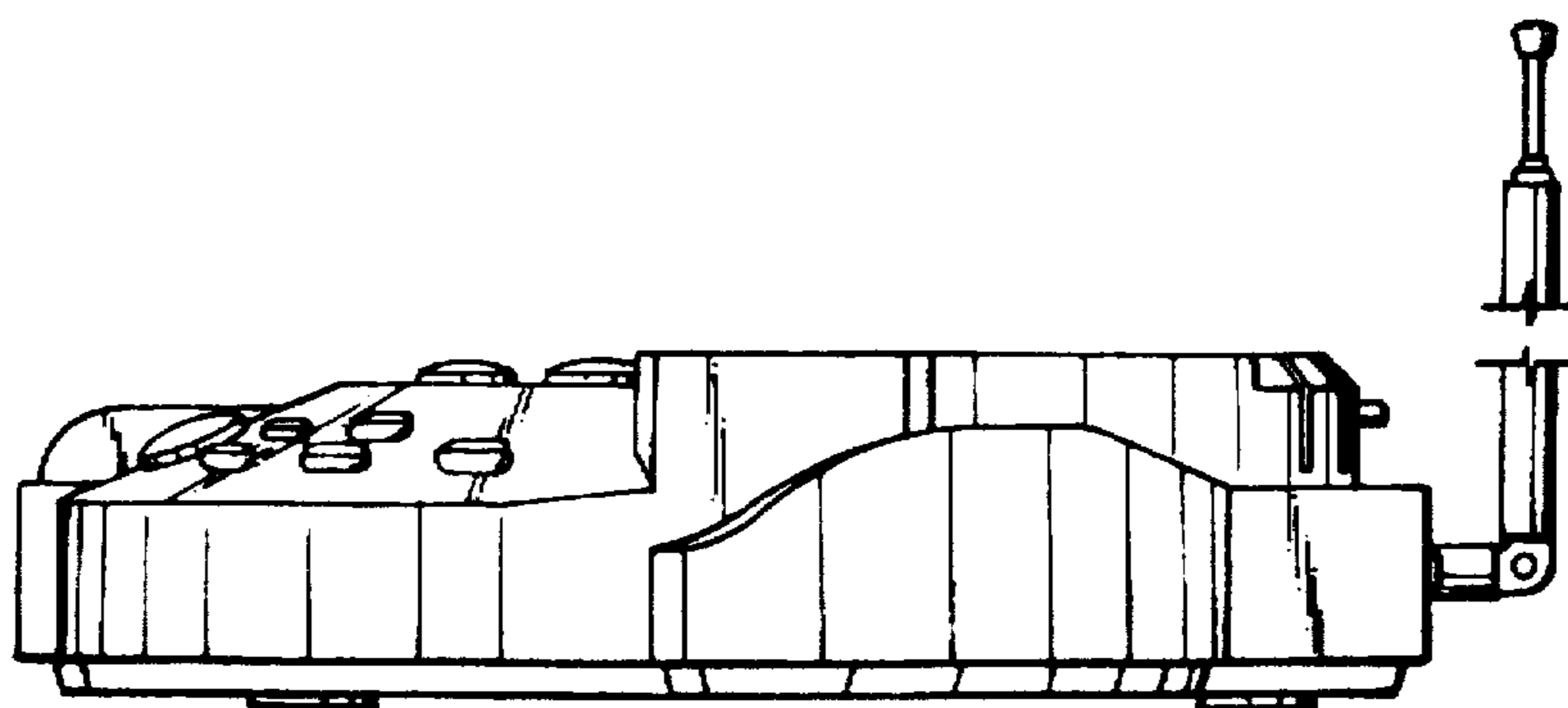


FIG. 5

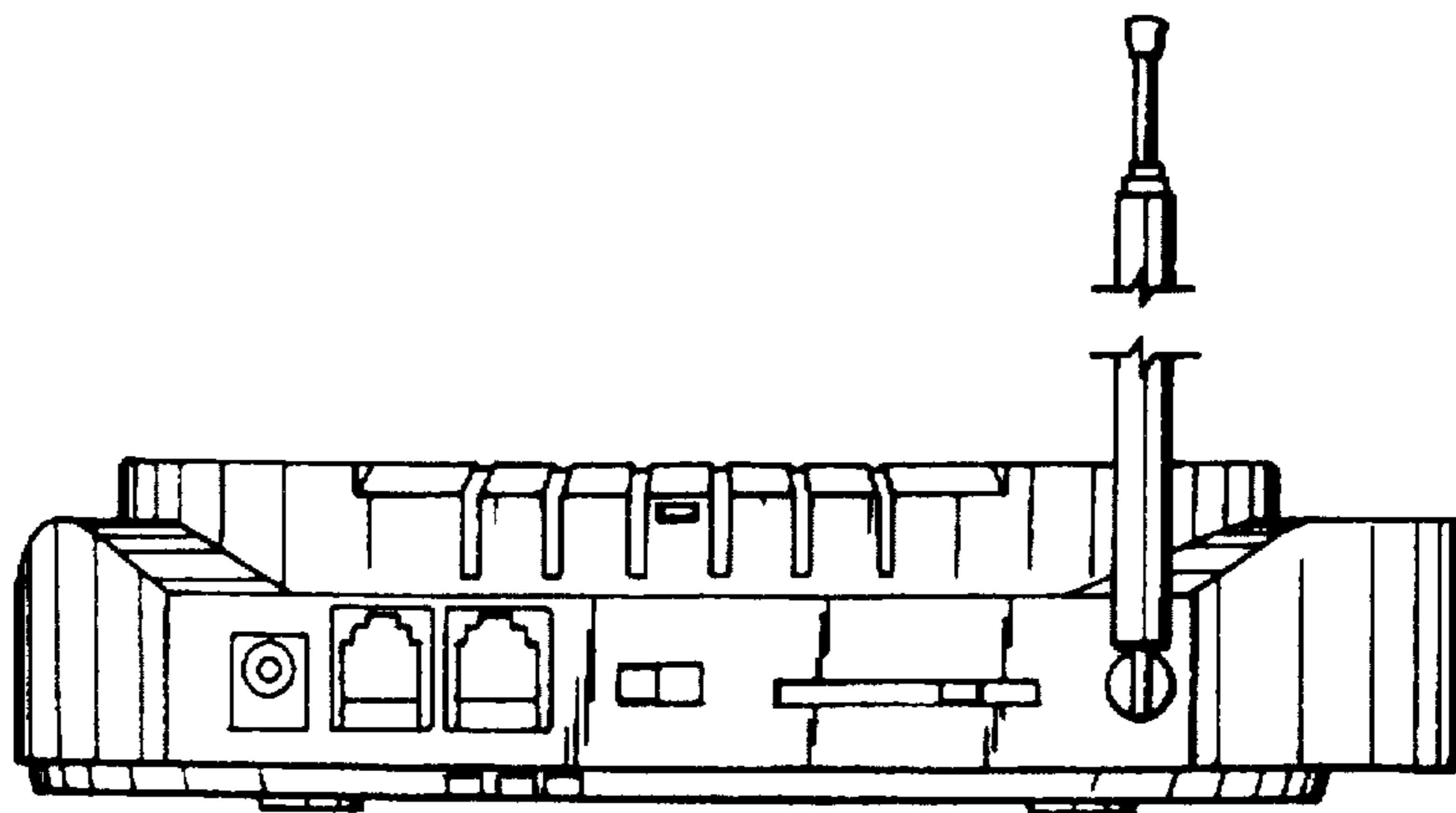


FIG. 6

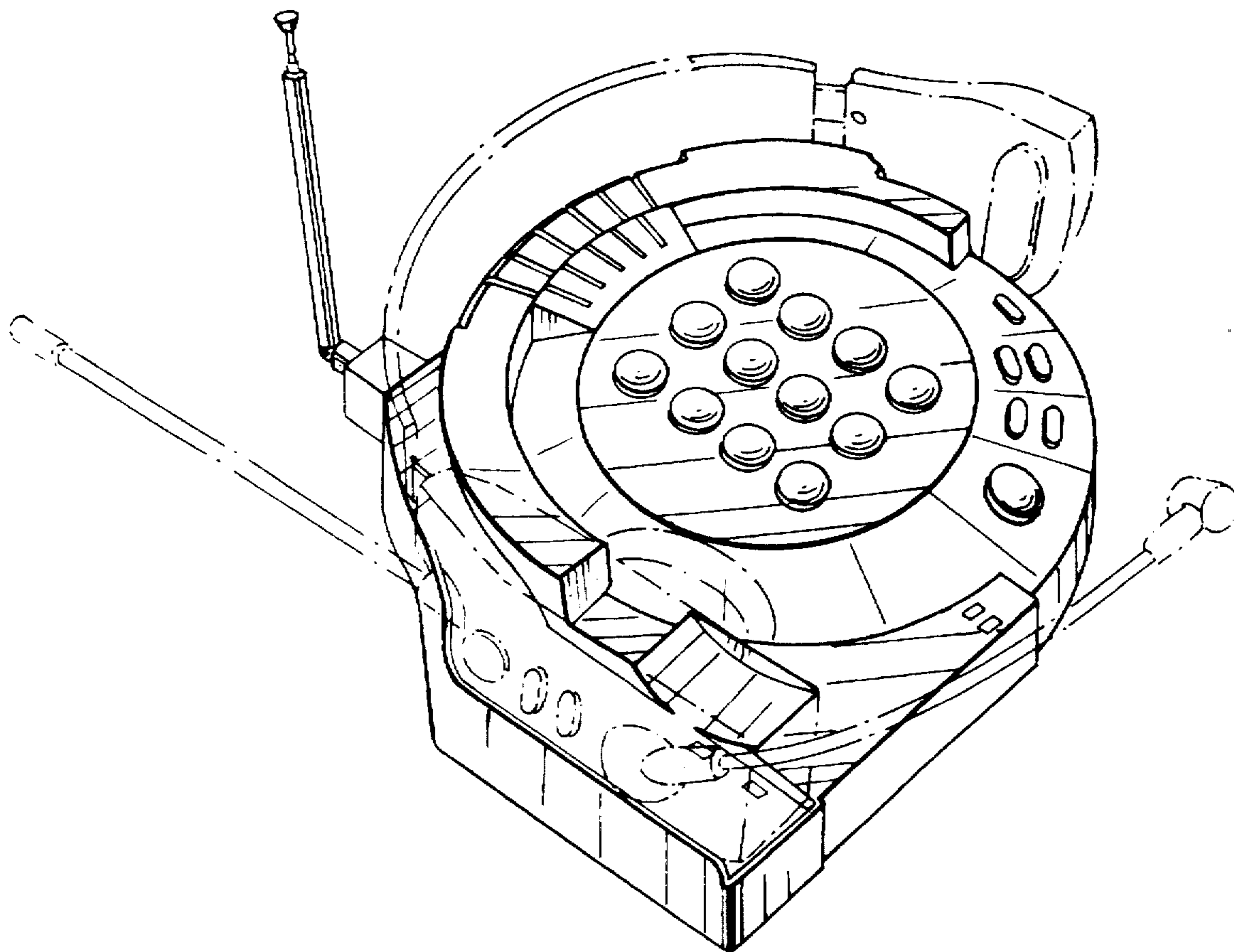


FIG. 7