



US00D394257S

United States Patent [19]

[11] Patent Number: Des. 394,257

Ka Hung et al.

[45] Date of Patent: **May 12, 1998

[54] TELEPHONE BASE HOUSING

[75] Inventors: Joseph Chan Ka Hung, Sai Kung; Pang Chi-Kong, Tsuen Wan, both of Hong Kong

[73] Assignee: Vtech Communications Ltd., Hong Kong

[**] Term: 14 Years

[21] Appl. No.: 59,214

[22] Filed: Sep. 5, 1996

[51] LOC (6) Cl. 14-03

[52] U.S. Cl. D14/149

[58] Field of Search D14/100, 101, D14/149-151, 140-142, 144, 240, 241, 137, 138, 147, 148; 379/58-61, 419, 420, 428, 440, 433-436; D13/107, 108; 455/89, 90

[56] References Cited

U.S. PATENT DOCUMENTS

D. 278,434	4/1985	Nestell	D14/149
D. 286,150	10/1986	Cooke et al.	D14/149
D. 347,222	5/1994	Hino et al.	D14/149
D. 349,899	8/1994	Siddoway et al.	D14/151
D. 350,541	9/1994	Chung et al.	D14/148 X
D. 351,164	10/1994	Siddoway et al.	D14/149
D. 355,190	2/1995	Folkes et al.	D14/149

(List continued on next page.)

Primary Examiner—Jeffrey Asch
Attorney, Agent, or Firm—Dick and Harris

[57] CLAIM

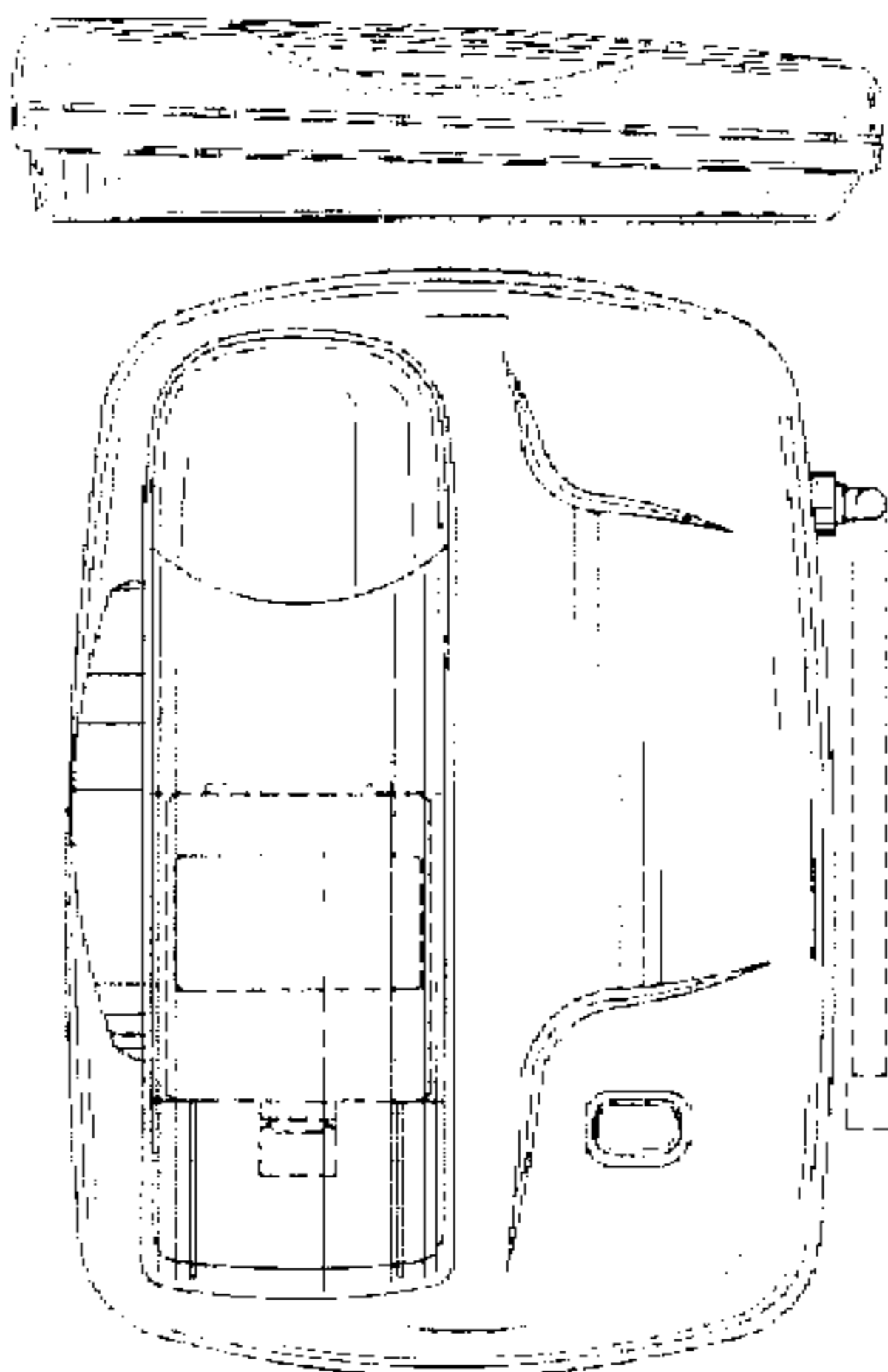
The ornamental design for a telephone base housing, as shown and described.

DESCRIPTION

FIG. 1 is a top plan view showing the telephone base housing of our new ornamental design;
FIG. 2 is a rear view thereof;
FIG. 3 is a right side elevation thereof;

FIG. 4 is a left side elevation thereof;
FIG. 5 is a bottom view thereof;
FIG. 6 is a front elevation thereof;
FIG. 7 is a sectional view showing the contour of the outer surface of the housing, taken along line 7—7 of FIG. 1, further showing, for illustrative purposes only, a handset in position within the cradle of the base;
FIG. 8 is a sectional view showing the contour of the outer surface of the housing, taken along line 8—8 of FIG. 1;
FIG. 9 is a sectional view showing the contour of the outer surface of the housing, taken along line 9—9 of FIG. 1;
FIG. 10 is a sectional view showing the contour of the outer surface of the housing, taken along line 10—10 of FIG. 1, further showing, for illustrative purposes only, a handset in position within the cradle of the base;
FIG. 11 is a sectional view showing the contour of the outer surface of the housing, taken along line 11—11 of FIG. 1;
FIG. 12 is a sectional view showing the contour of the outer surface of the housing, taken along line 12—12 of FIG. 1;
FIG. 13 is a top plan view showing the telephone base housing of our new ornamental design, according to a second embodiment;
FIG. 14 is a right side elevation thereof, the left side view being substantially a mirror image thereof, the remaining views being otherwise substantially the same as the corresponding views of the embodiment of FIGS. 1-12. All elements shown in broken lines are shown for illustrative purposes only and do not form part of the claimed design.
The embodiment of FIGS. 13-14 is substantially the same as that of FIGS. 1-12 except that the cutout on the left of the base in the embodiment of FIGS. 13-14 has a shorter length, but substantially the same depth and also has a smoothly curving contour; and
FIG. 15 is a top plan view of the base according to FIG. 1, without the section lines.
The broken line showings throughout the views are for illustrative purposes only and form no part of the claimed design.

1 Claim, 9 Drawing Sheets



Des. 394,257

Page 2

U.S. PATENT DOCUMENTS

D. 355,652	2/1995	Lee et al.	D14/149	D. 369,799	5/1996	Kong et al.	D14/149
D. 359,284	6/1995	Hung	D14/148 X	D. 369,800	5/1996	Kong et al.	D14/149
D. 369,601	5/1996	Tomoike	D14/147 X	4,884,294	11/1989	Inagami	379/61
D. 369,798	5/1996	Kong et al.	D14/149	5,151,643	9/1992	Emmert et al.	455/90 X
				5,578,875	11/1996	Dormer et al.	455/89 X

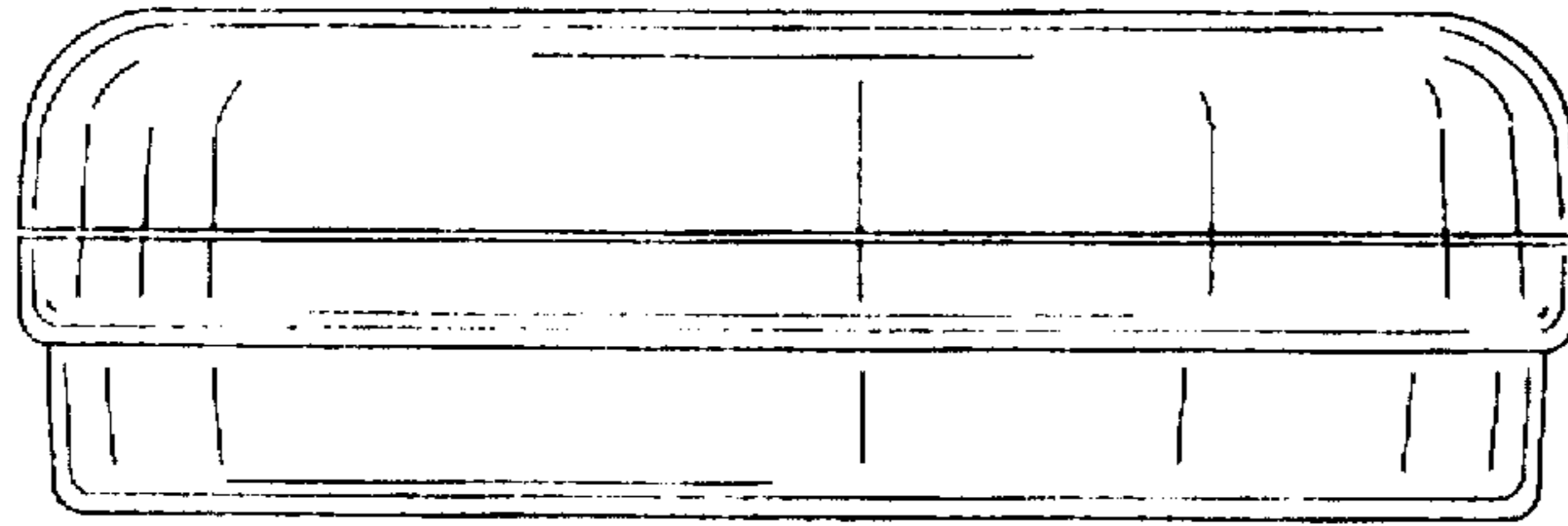


FIG. 2

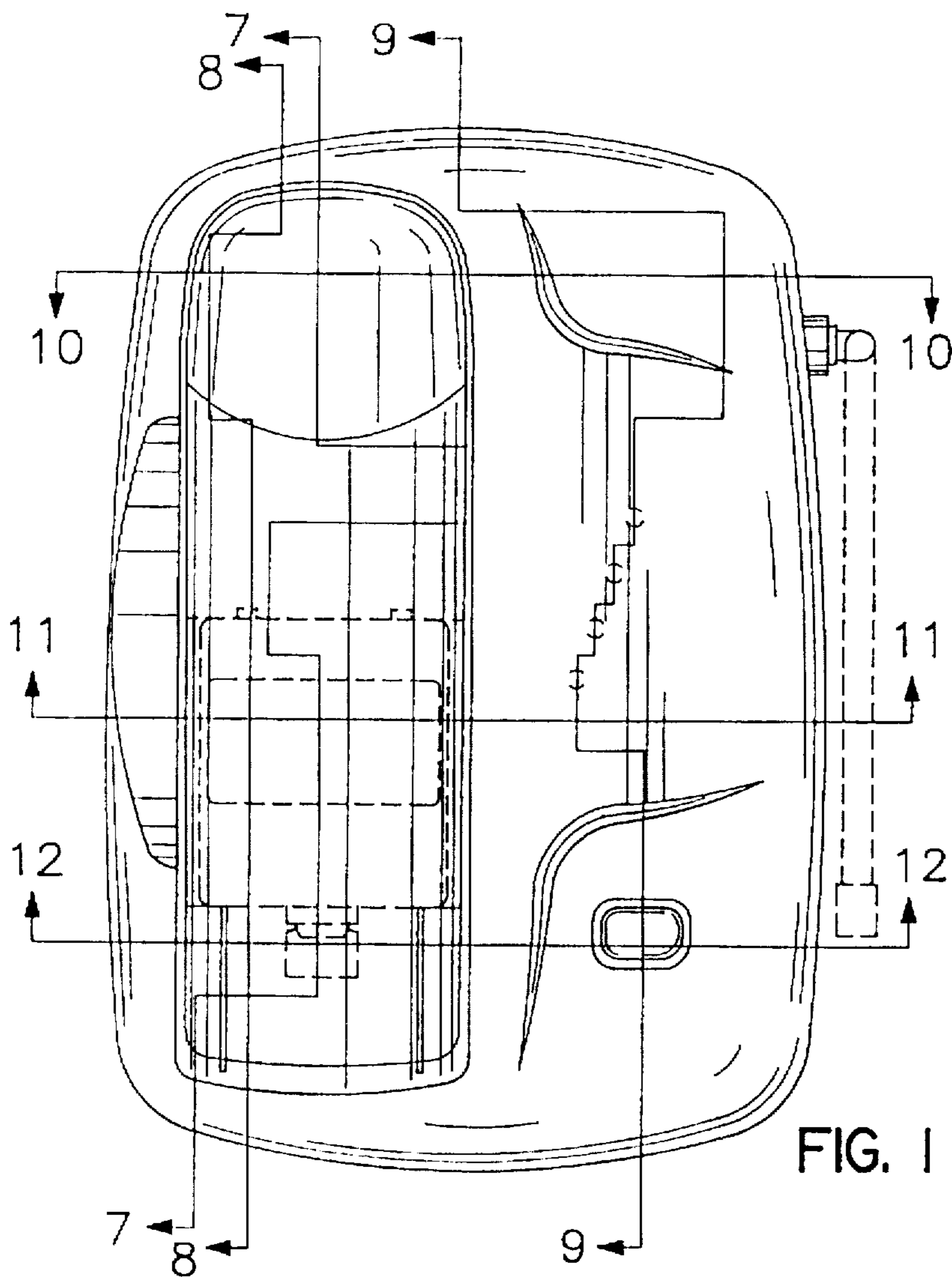


FIG. 1

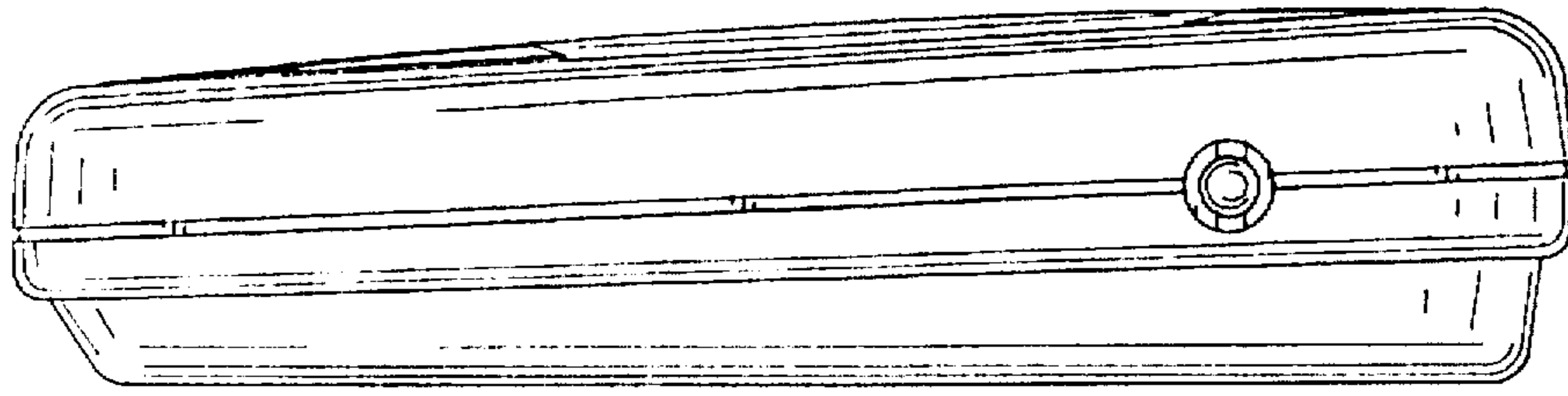


FIG. 3

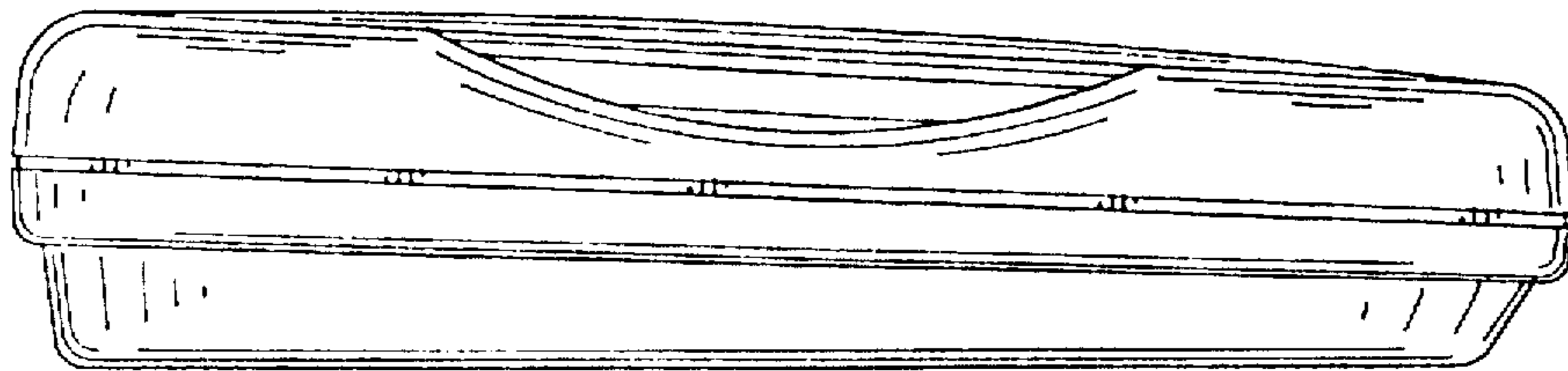


FIG. 4

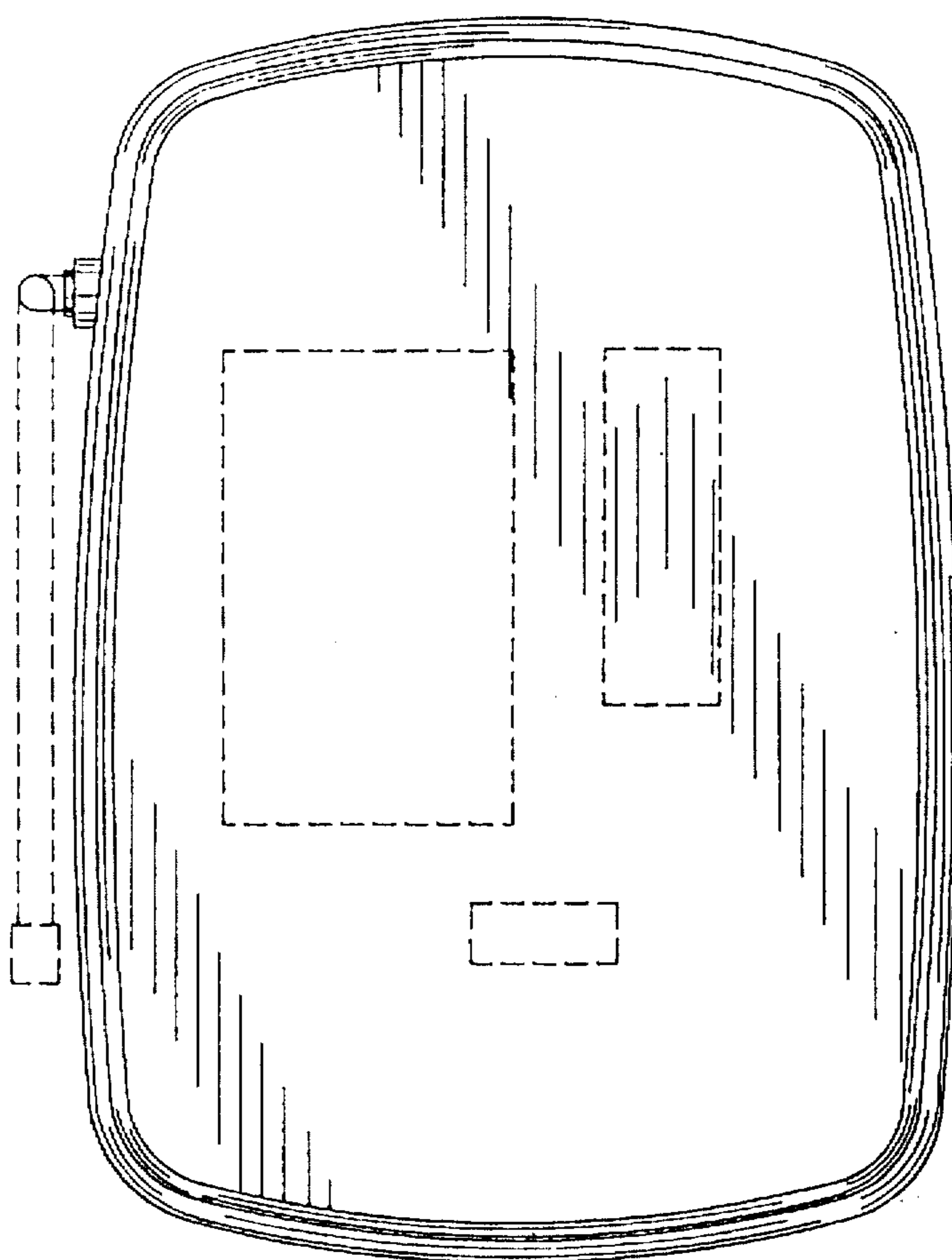


FIG. 5

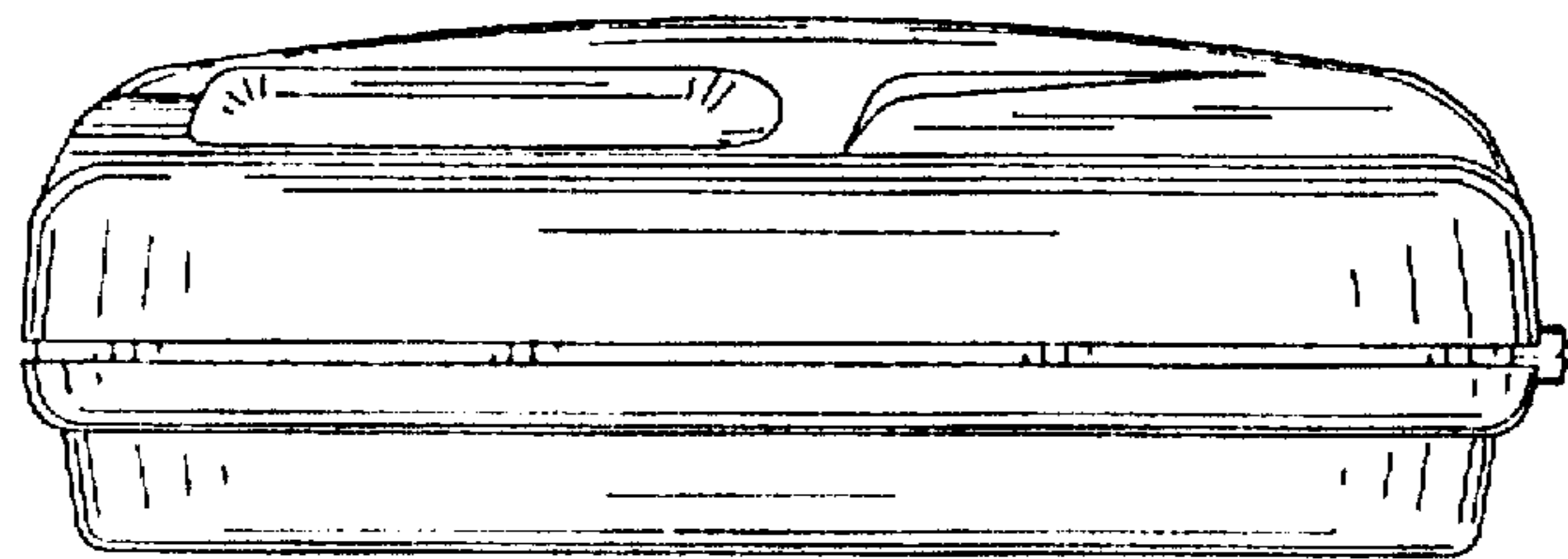


FIG. 6

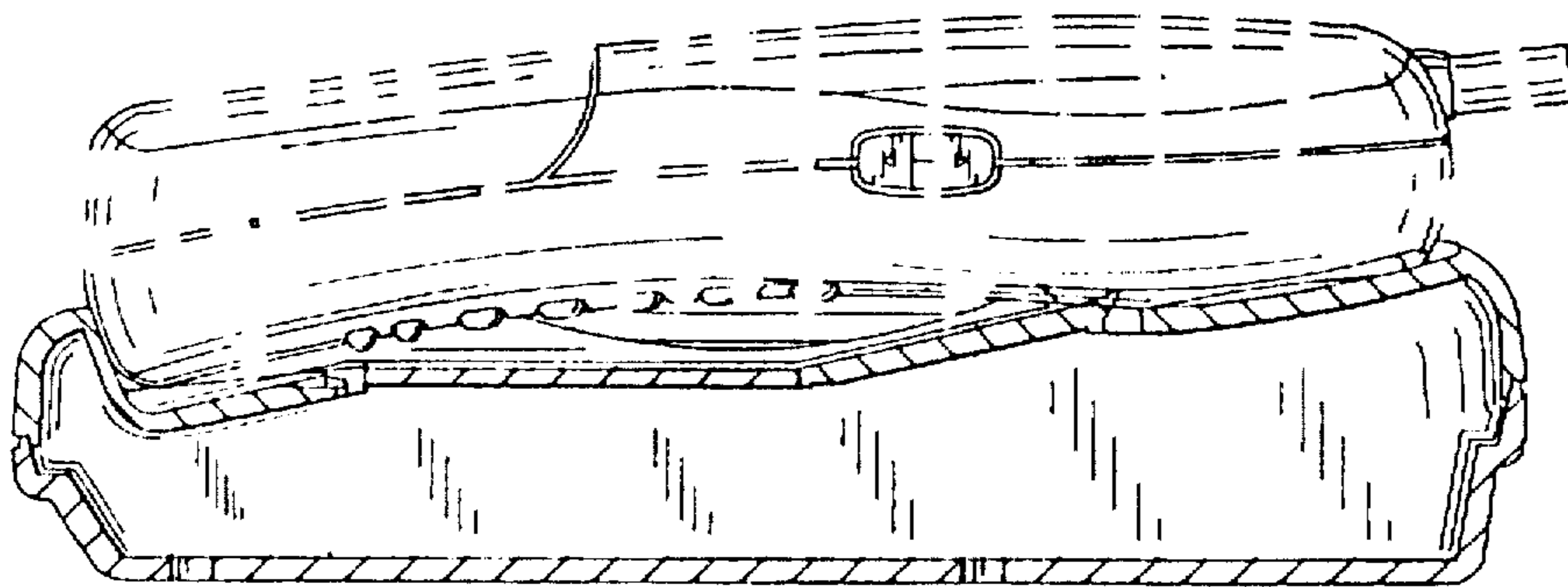


FIG. 7

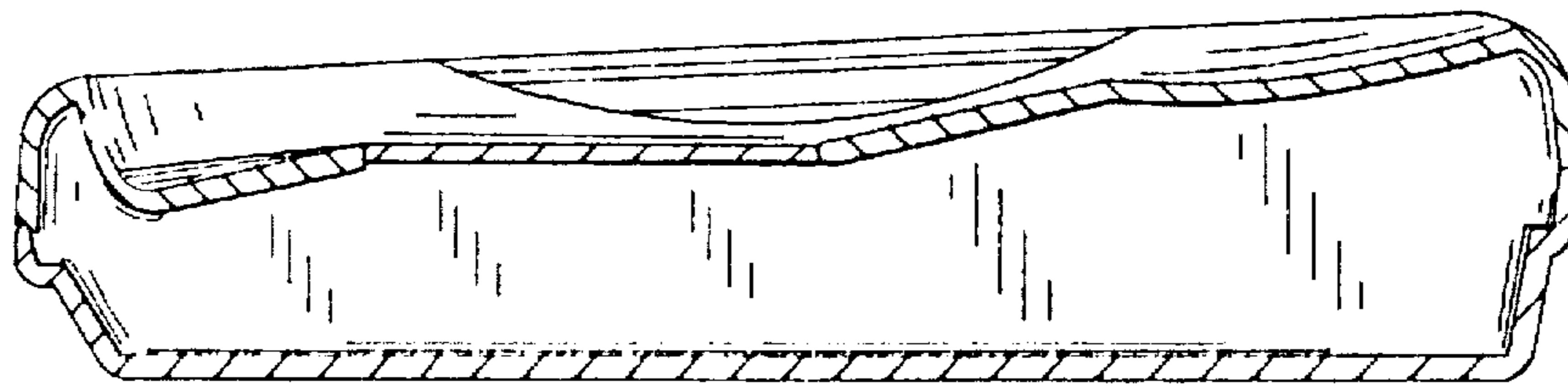


FIG. 8

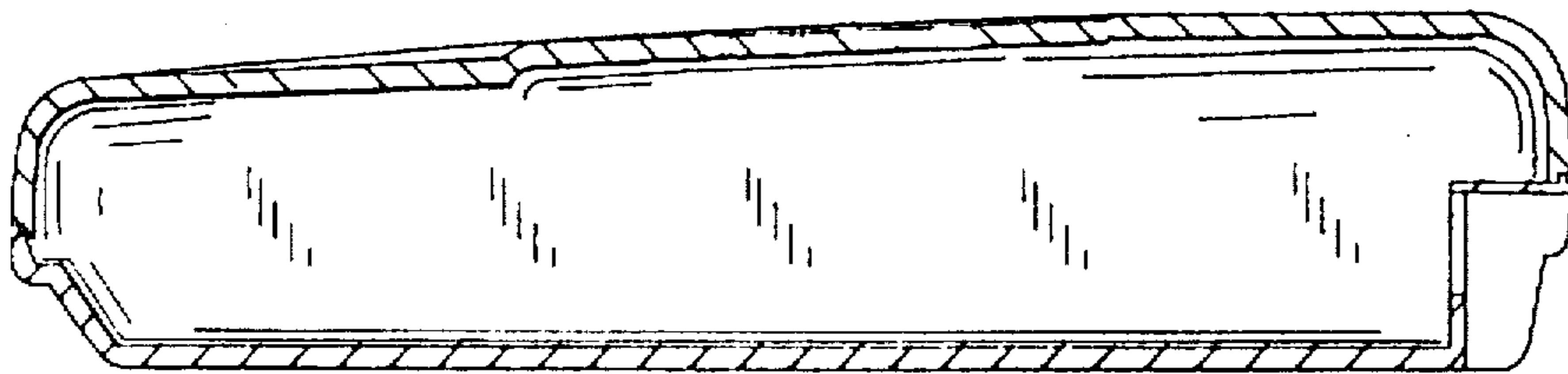


FIG. 9

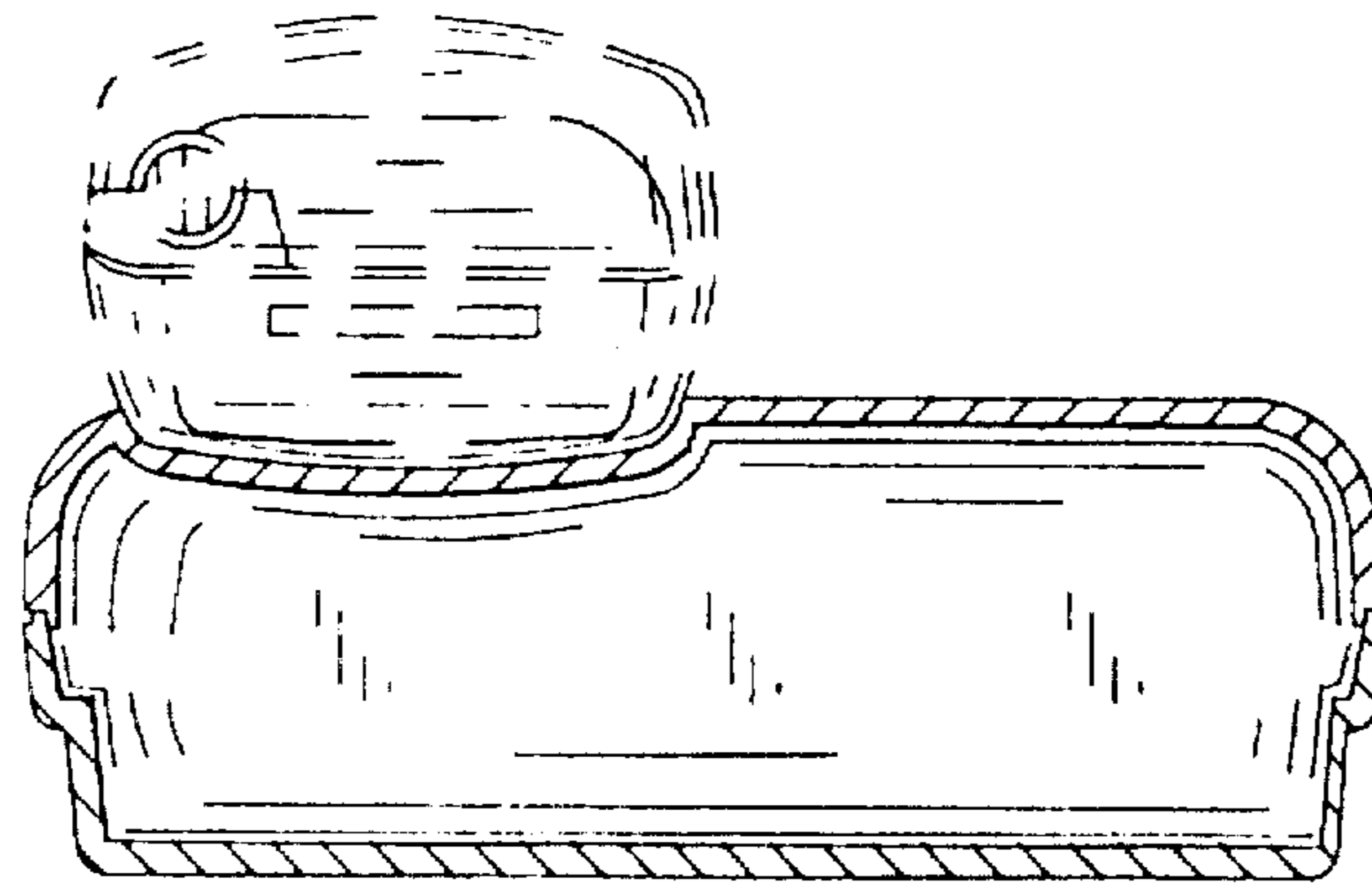


FIG. 10

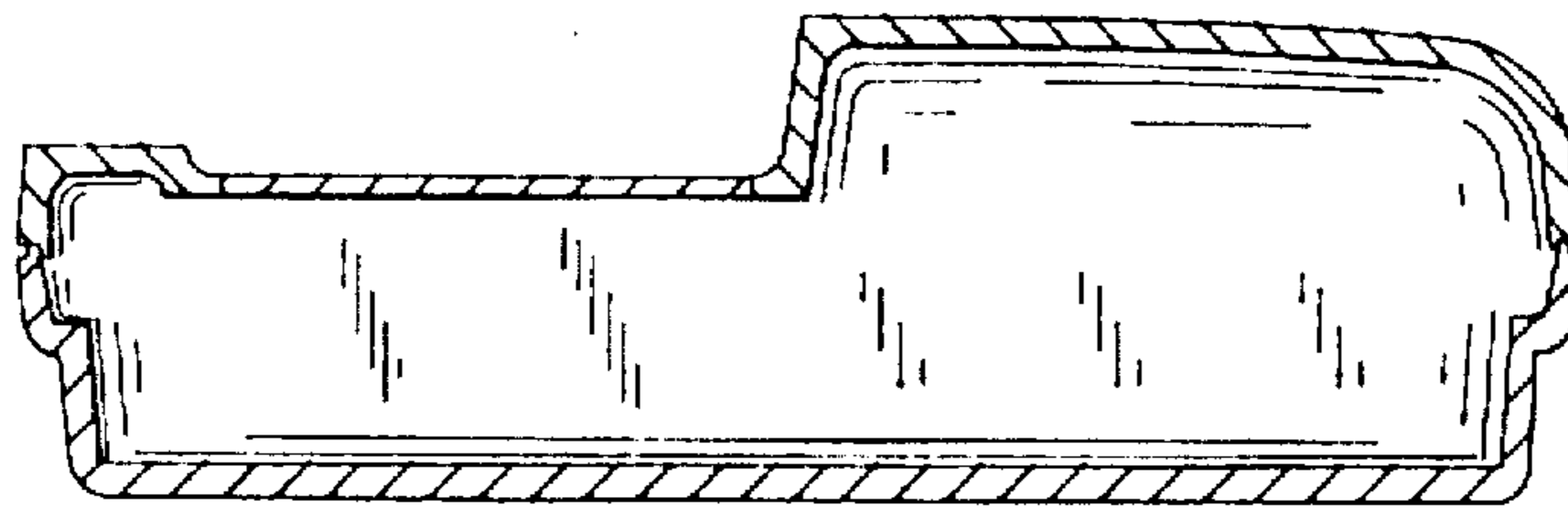


FIG. 11

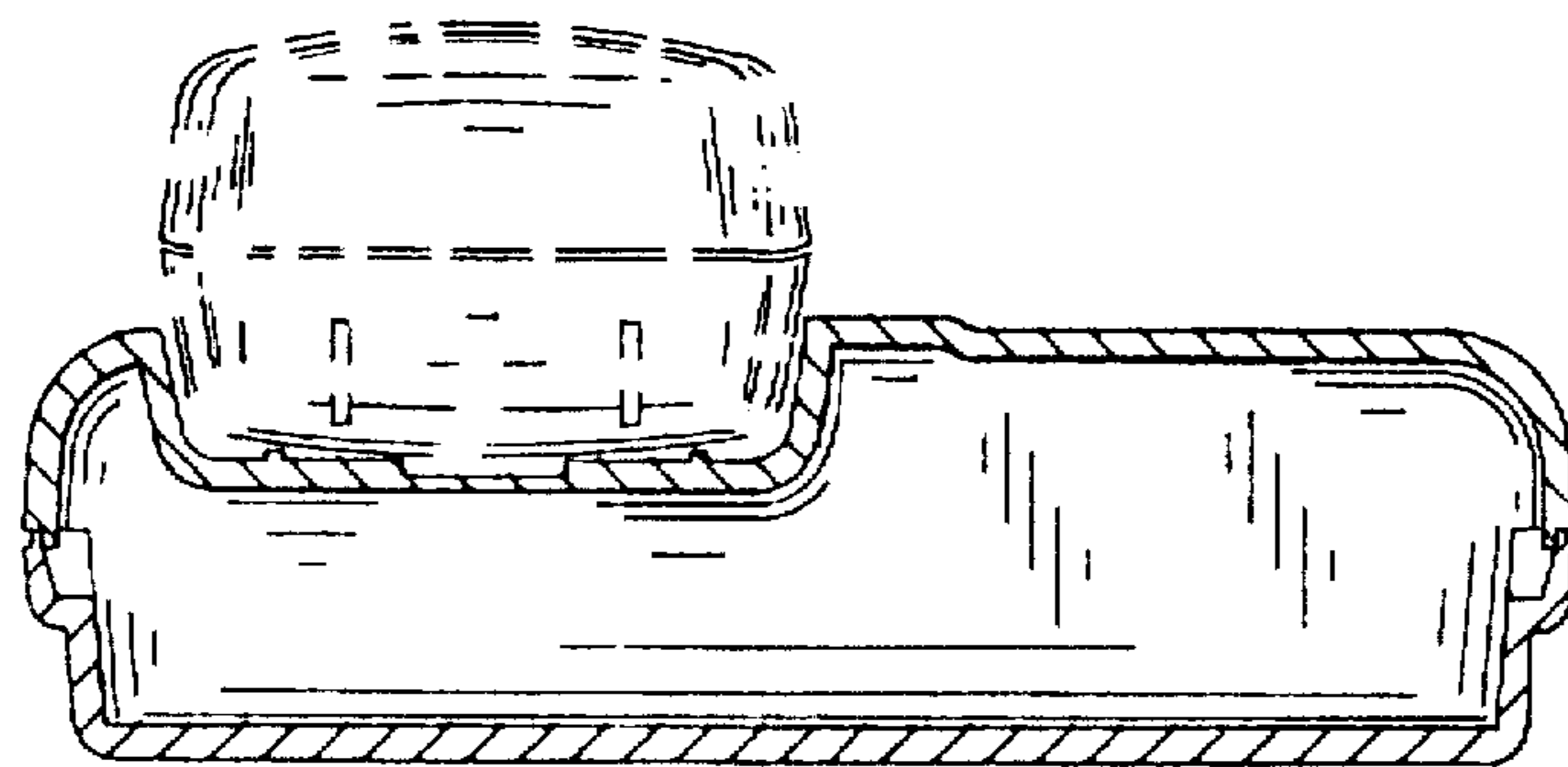


FIG. 12

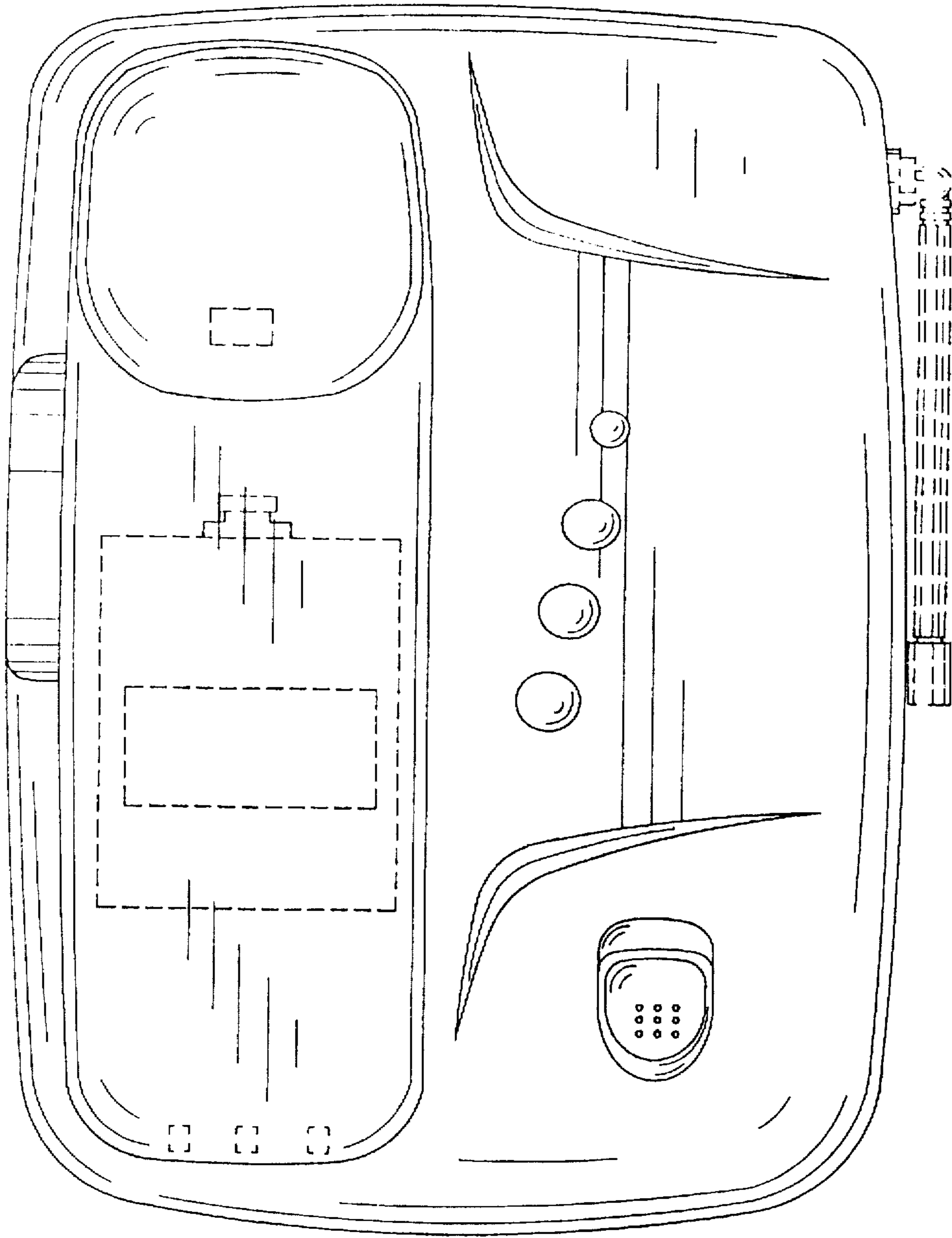


FIG. 13

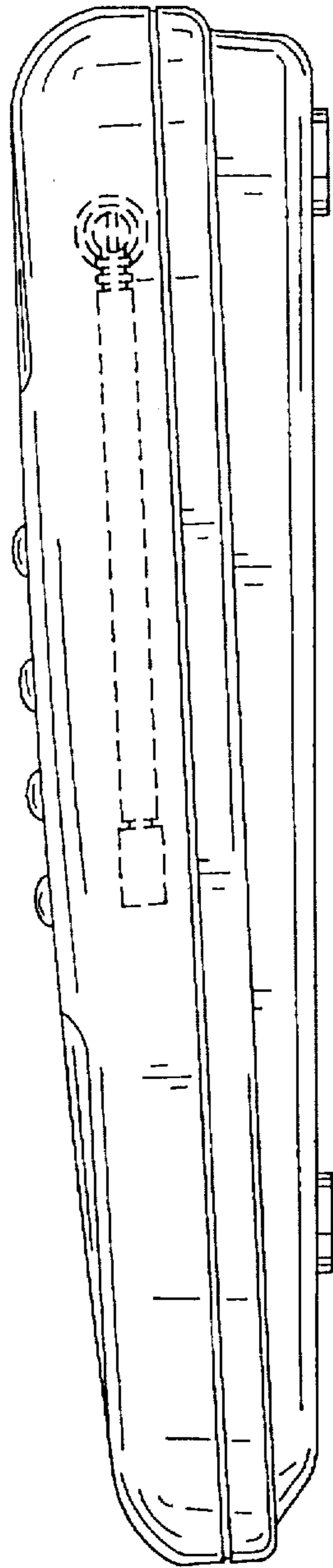


FIG. 14

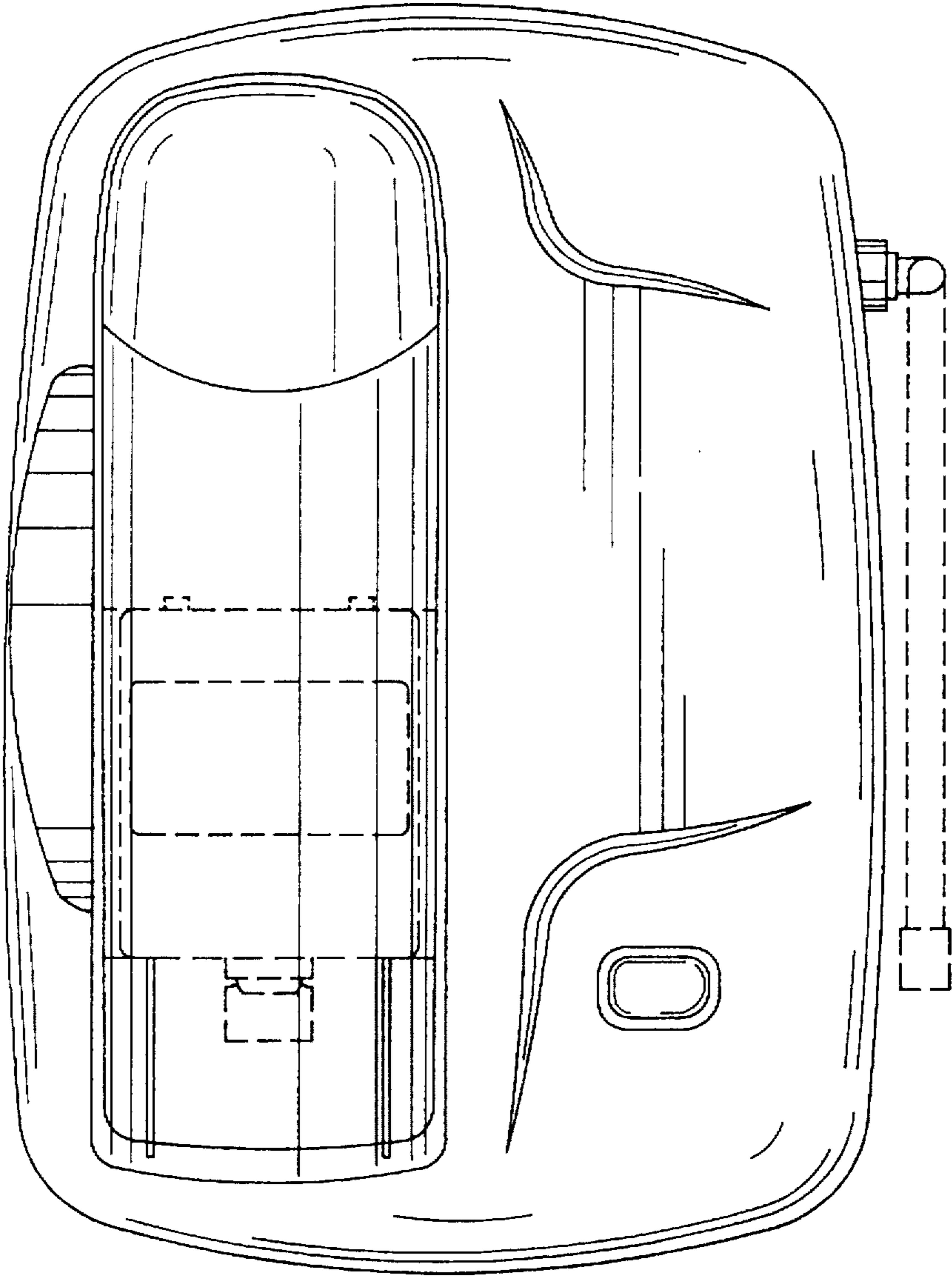


FIG. 15