



US00D394255S

United States Patent [19]

Napoleone et al.

[11] Patent Number: **Des. 394,255**

[45] Date of Patent: ****May 12, 1998**

[54] INTEGRAL VIDEOCONFERENCING SYSTEM

[75] Inventors: **Nunzio Napoleone**, South Hamilton; **Stephen A. Coleman**, Billerica; **Kendra J. DeSimone**, Acton, all of Mass.

[73] Assignee: **PictureTel Corporation**, Andover, Mass.

[**] Term: **14 Years**

[21] Appl. No.: **60,863**

[22] Filed: **Oct. 9, 1996**

[51] LOC (6) Cl. **14-03**

[52] U.S. Cl. **D14/124**

[58] Field of Search D14/124, 114, D14/188, 217, 239, 299, 167, 158; D21/48, 13; 273/148 B; 463/1, 46, 30, 35; 455/73, 90, 128, 347, 349, 899

[56] References Cited

U.S. PATENT DOCUMENTS

- D. 205,139 6/1966 Joslow D14/299
- D. 284,280 6/1986 Mack, Jr. et al. D14/124
- D. 309,734 8/1990 Mackin D14/167 X

- D. 314,764 2/1991 Rondel et al. D14/124
- D. 331,054 11/1992 Brahler D14/124
- D. 358,408 5/1995 McGarry D14/124 X
- D. 366,657 1/1996 Hallgren et al. D14/167 X

Primary Examiner—Prabhakar G. Deshmukh
Attorney, Agent, or Firm—Fish & Richardson P.C.

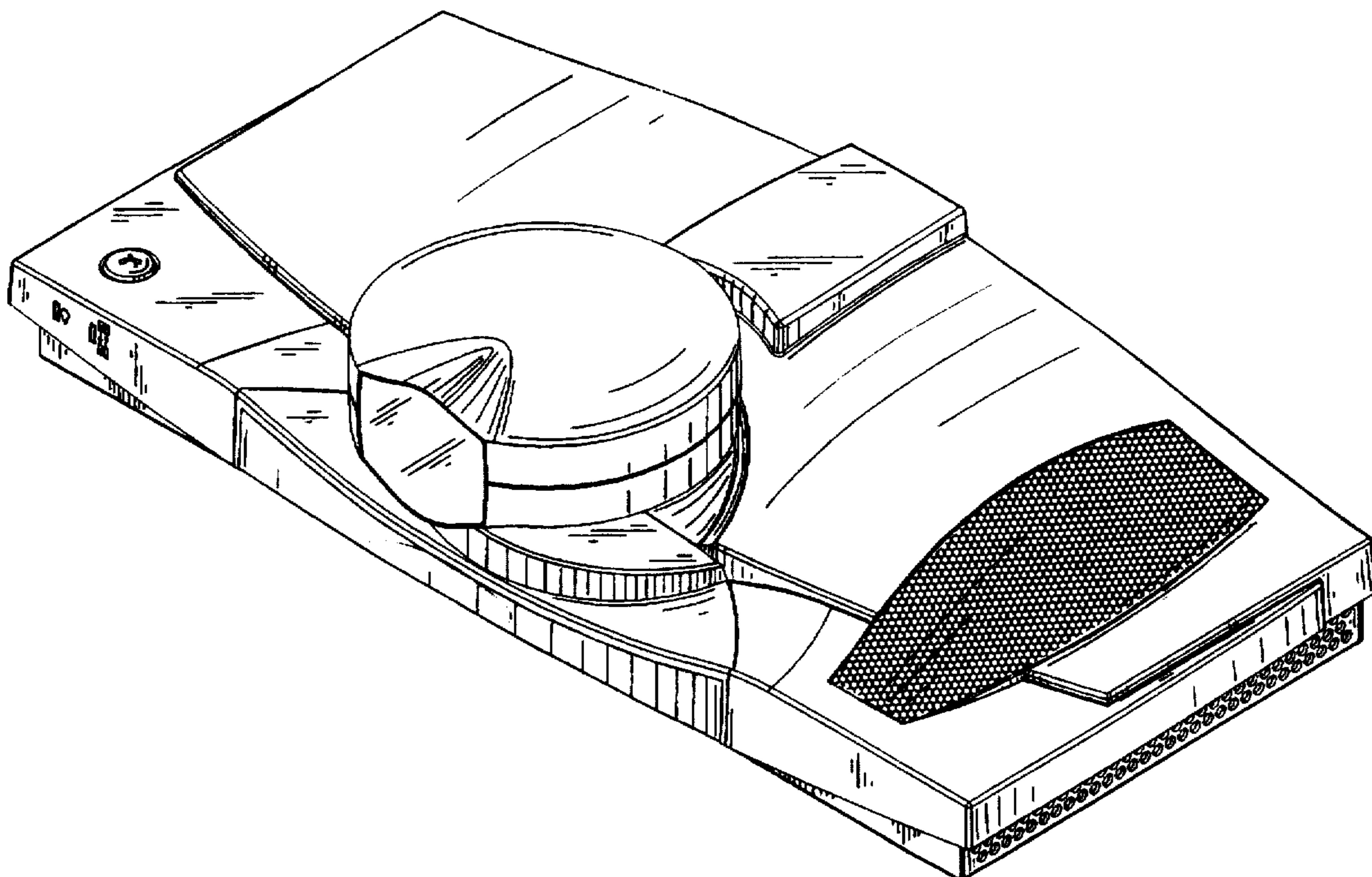
[57] CLAIM

The ornamental design for an integral videoconferencing system, as shown and described.

DESCRIPTION

FIG. 1 is a perspective view of the integral videoconferencing system showing our new design;
 FIG. 2 is a front view of the integral videoconferencing system shown in FIG. 1;
 FIG. 3 is a back view of the integral videoconferencing system shown in FIG. 1;
 FIG. 4 is a right side view of the integral videoconferencing system shown in FIG. 1;
 FIG. 5 is a left side view of the integral videoconferencing system shown in FIG. 1;
 FIG. 6 is a top view of the integral videoconferencing system shown in FIG. 1; and,
 FIG. 7 is a bottom view of the integral videoconferencing system shown in FIG. 1.

1 Claim, 6 Drawing Sheets



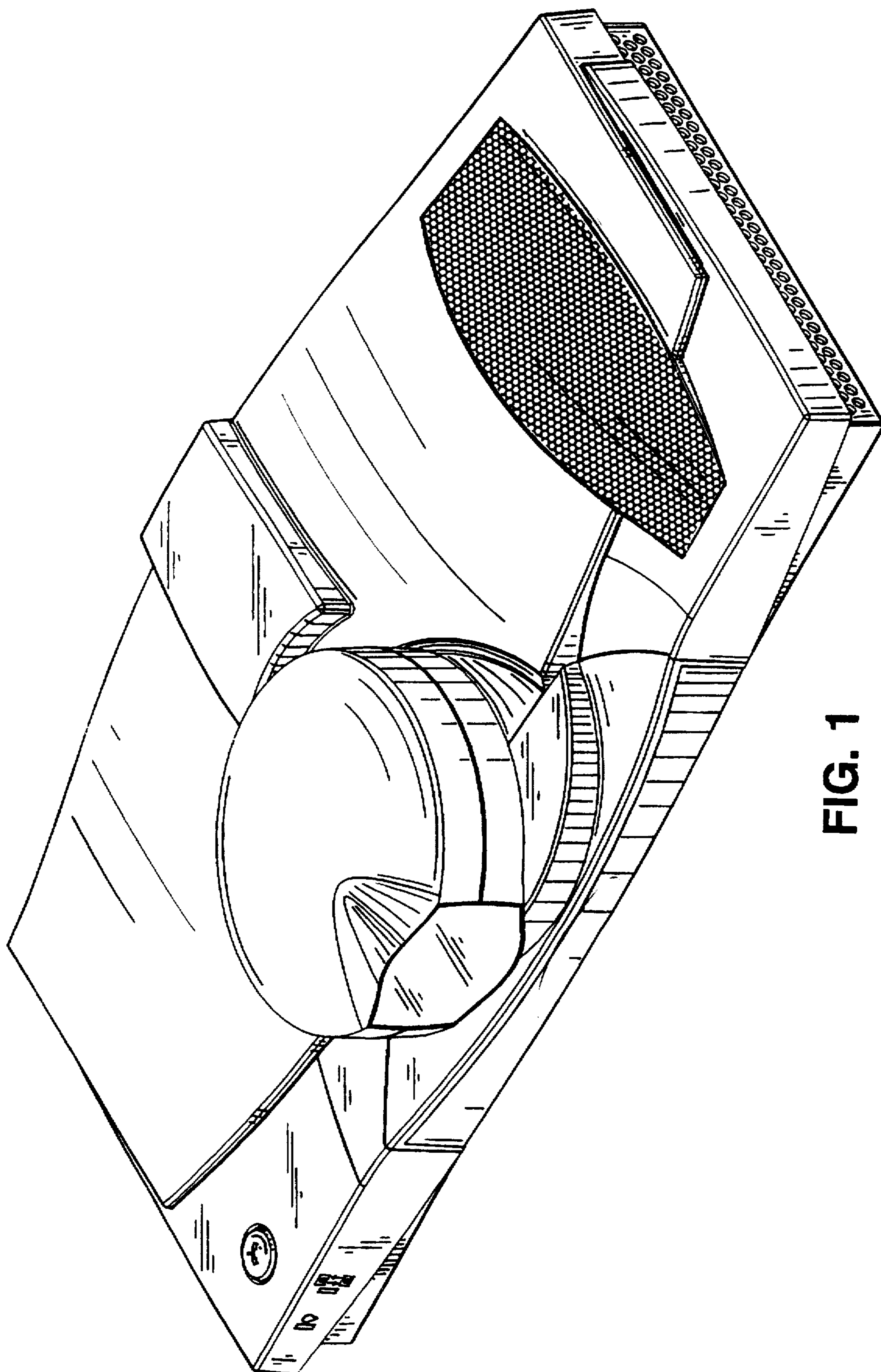


FIG. 1

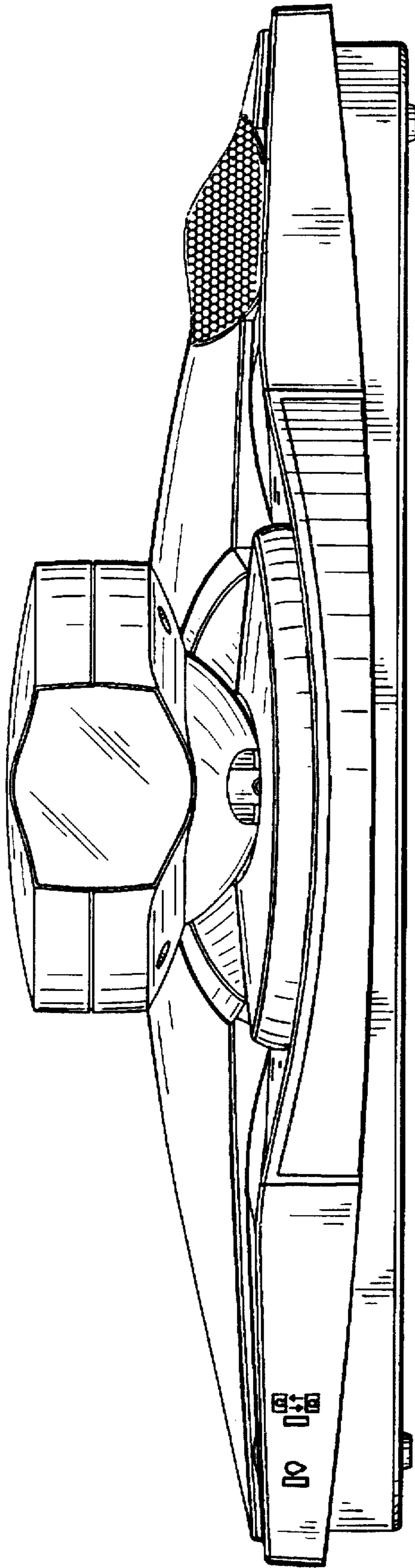


FIG. 2

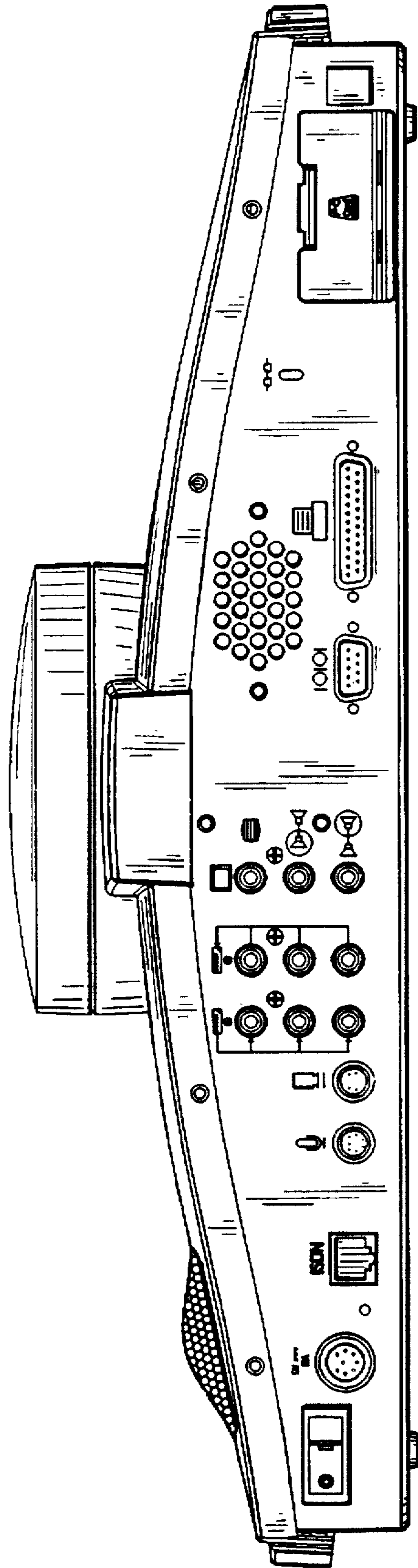


FIG. 3

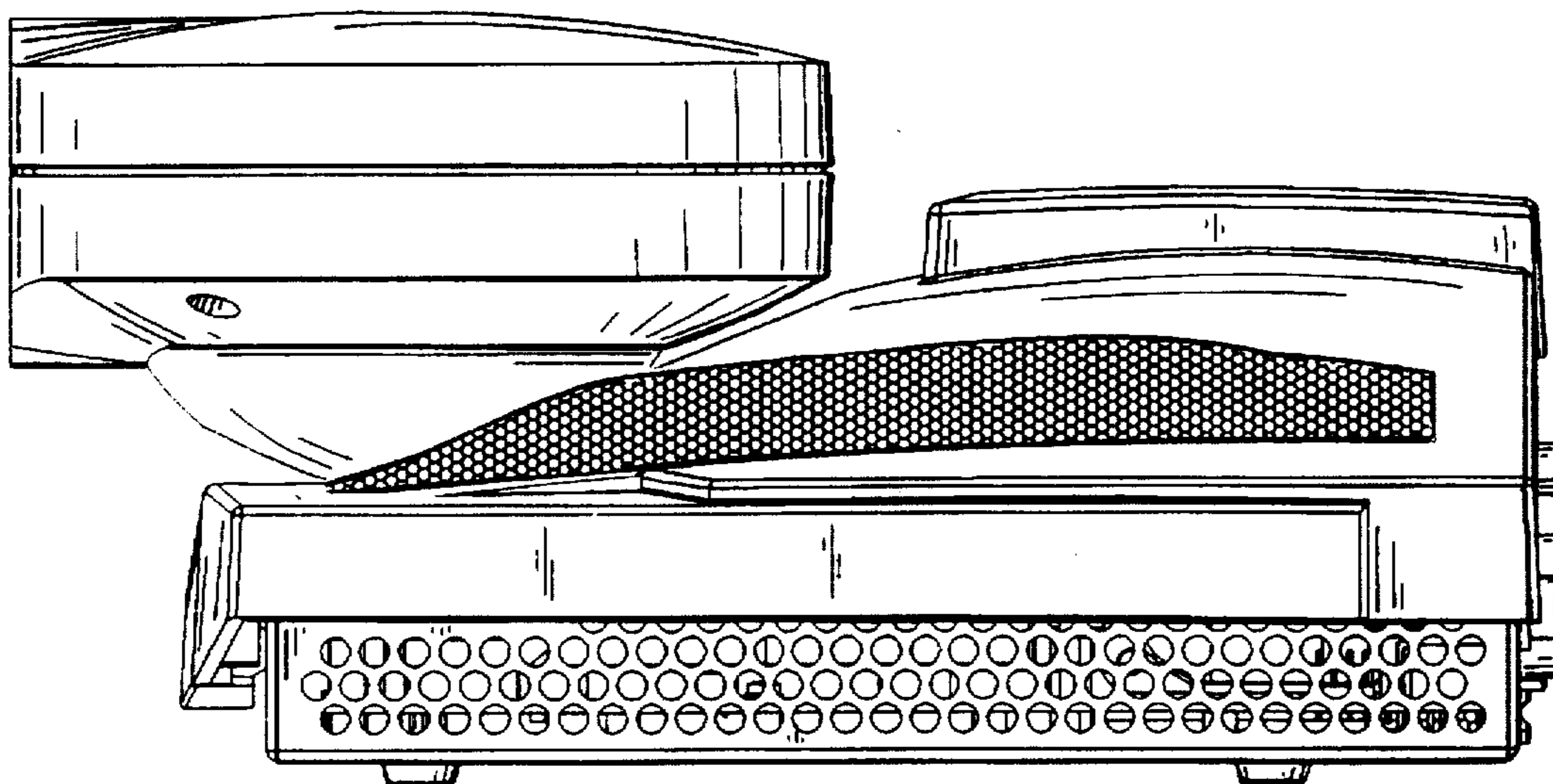


FIG. 4

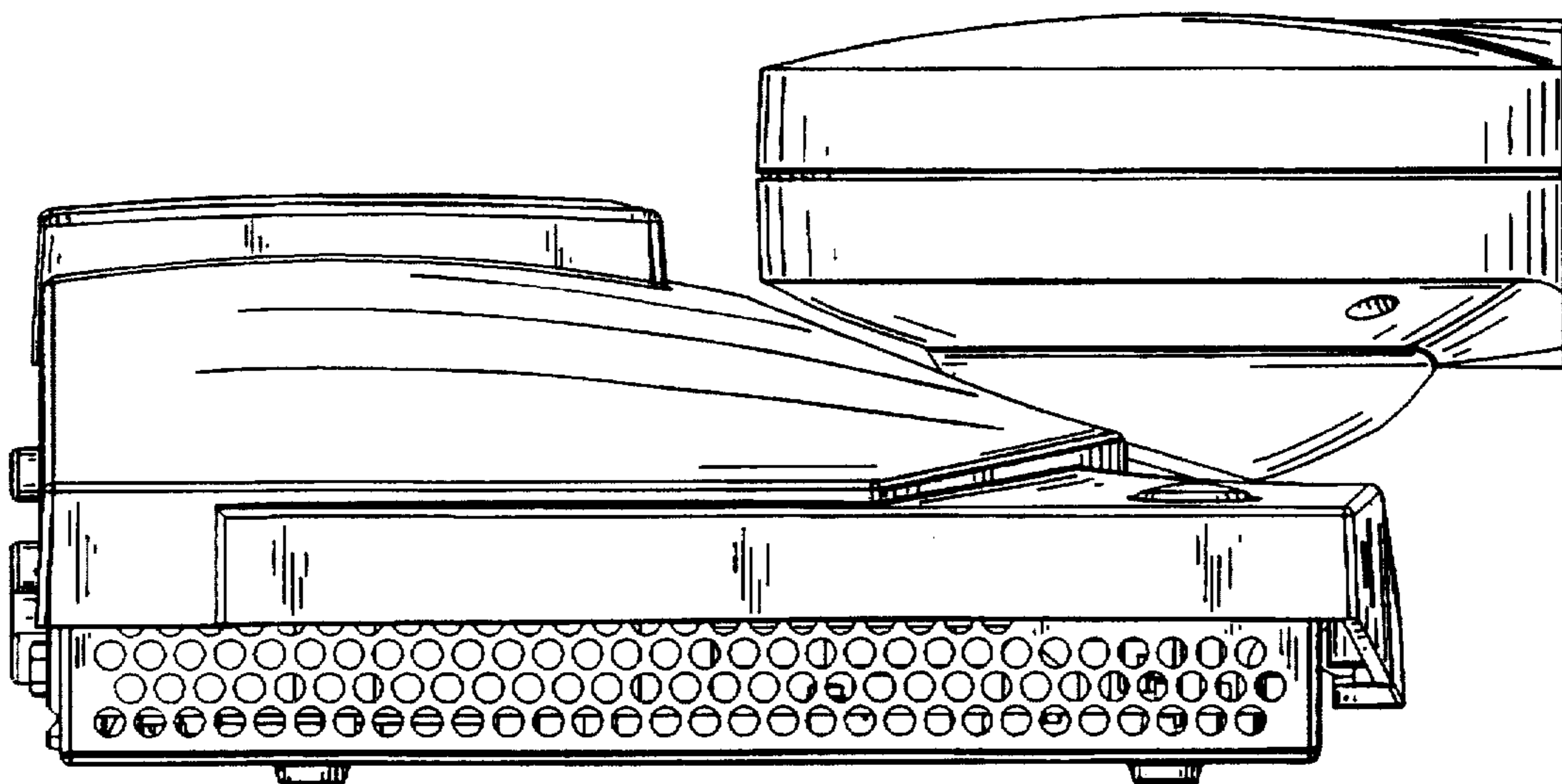


FIG. 5

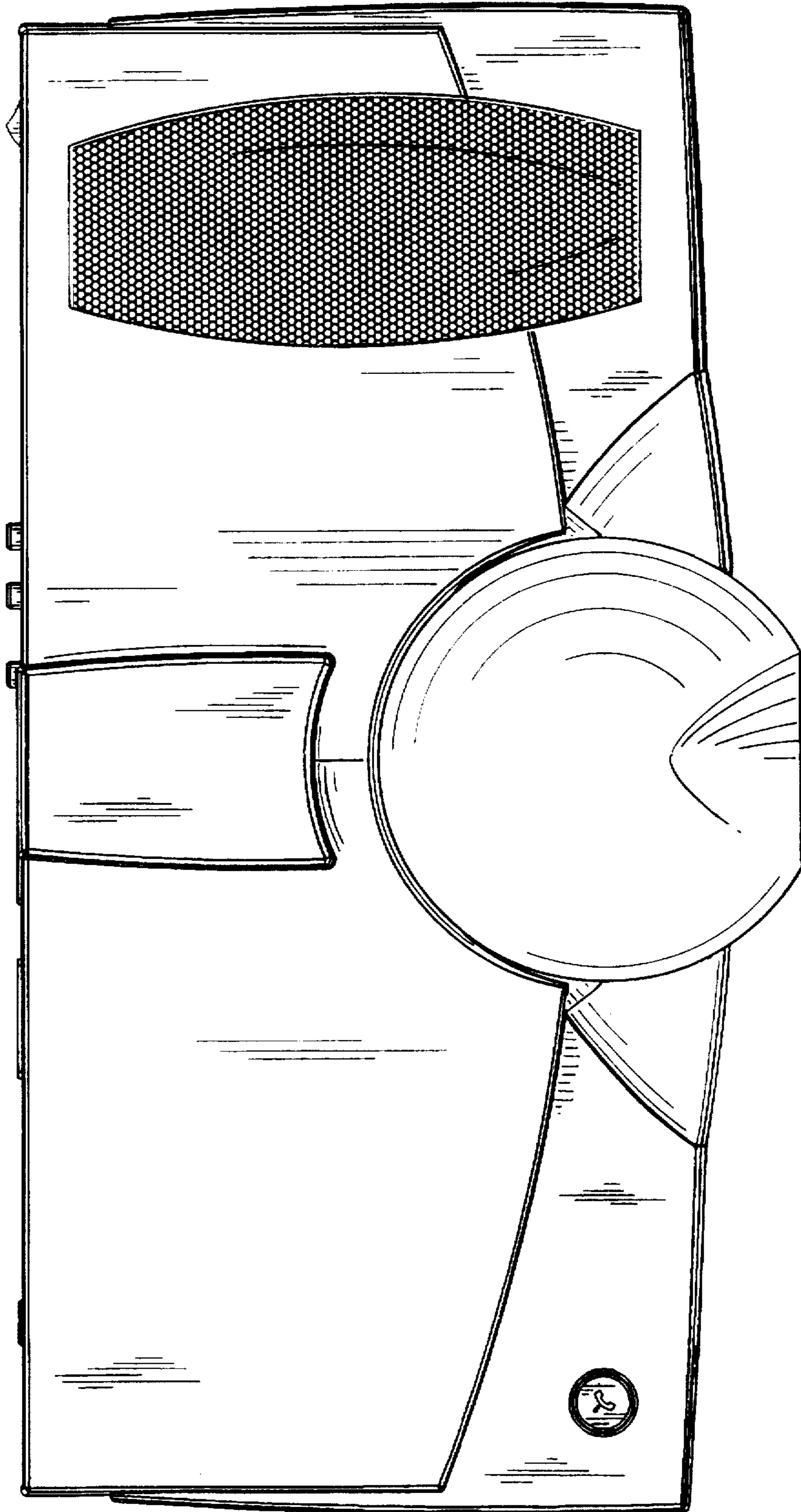


FIG. 6

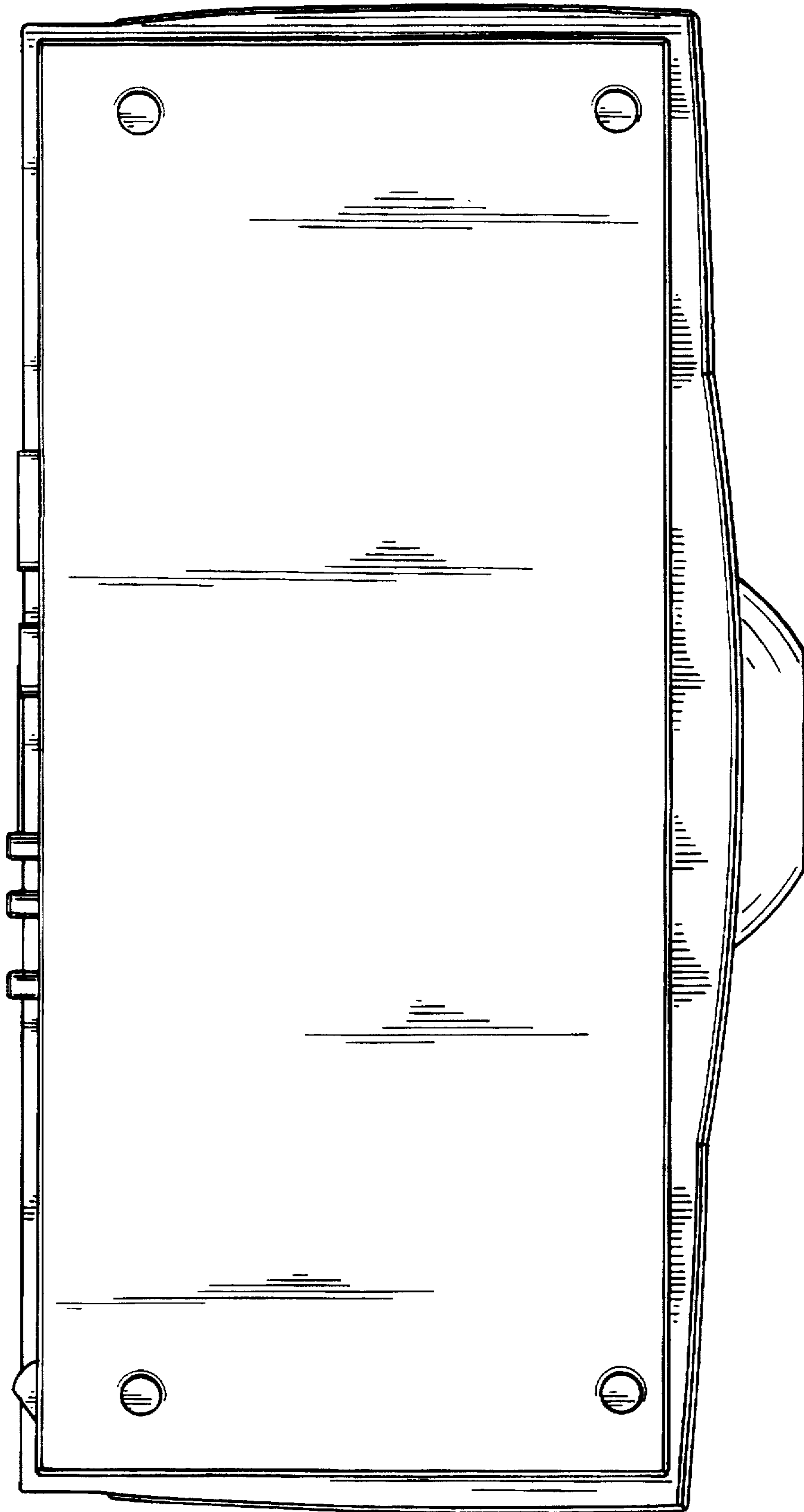


FIG. 7