



US00D394254S

# United States Patent [19]

Kirihara et al.

[11] Patent Number: Des. 394,254

[45] Date of Patent: \*\*May 12, 1998

- [54] VIDEO CASSETTE
- [75] Inventors: **Kazushi Kirihara; Michio Akita**, both of Tokyo, Japan
- [73] Assignee: **Sony Corporation**, Tokyo, Japan
- [\*\*] Term: **14 Years**
- [21] Appl. No.: **63,110**
- [22] Filed: **Nov. 27, 1996**

- D. 375,305 11/1996 Hiraoka et al. .... D14/121
- 4,608,617 8/1986 Oishi et al. .... D14/121 X
- 4,850,547 7/1989 Uemura ..... D14/121 X
- 5,362,068 11/1994 Liu ..... 463/46 X

*Primary Examiner*—Prabhakar G. Deshmukh  
*Attorney, Agent, or Firm*—Foley & Lardner

### [57] CLAIM

The ornamental design for a video cassette, as shown and described.

### DESCRIPTION

FIG. 1 is a perspective view of a first embodiment of the video cassette including our new design;  
 FIG. 2 is a top plan view thereof;  
 FIG. 3 is a left side elevational view thereof;  
 FIG. 4 is a front elevational view thereof;  
 FIG. 5 is a right side elevational view thereof;  
 FIG. 6 is a rear elevational view thereof;  
 FIG. 7 is a bottom plan view thereof;  
 FIG. 8 is a perspective view of a second embodiment of the video cassette of the present invention;  
 FIG. 9 is a top plan view of FIG. 8;  
 FIG. 10 is a left side elevational view of FIG. 8;  
 FIG. 11 is a front elevational view of FIG. 8;  
 FIG. 12 is a right side elevational view of FIG. 8;  
 FIG. 13 is a rear elevational view of FIG. 8; and  
 FIG. 14 is a bottom plan view of FIG. 8.

### Related U.S. Application Data

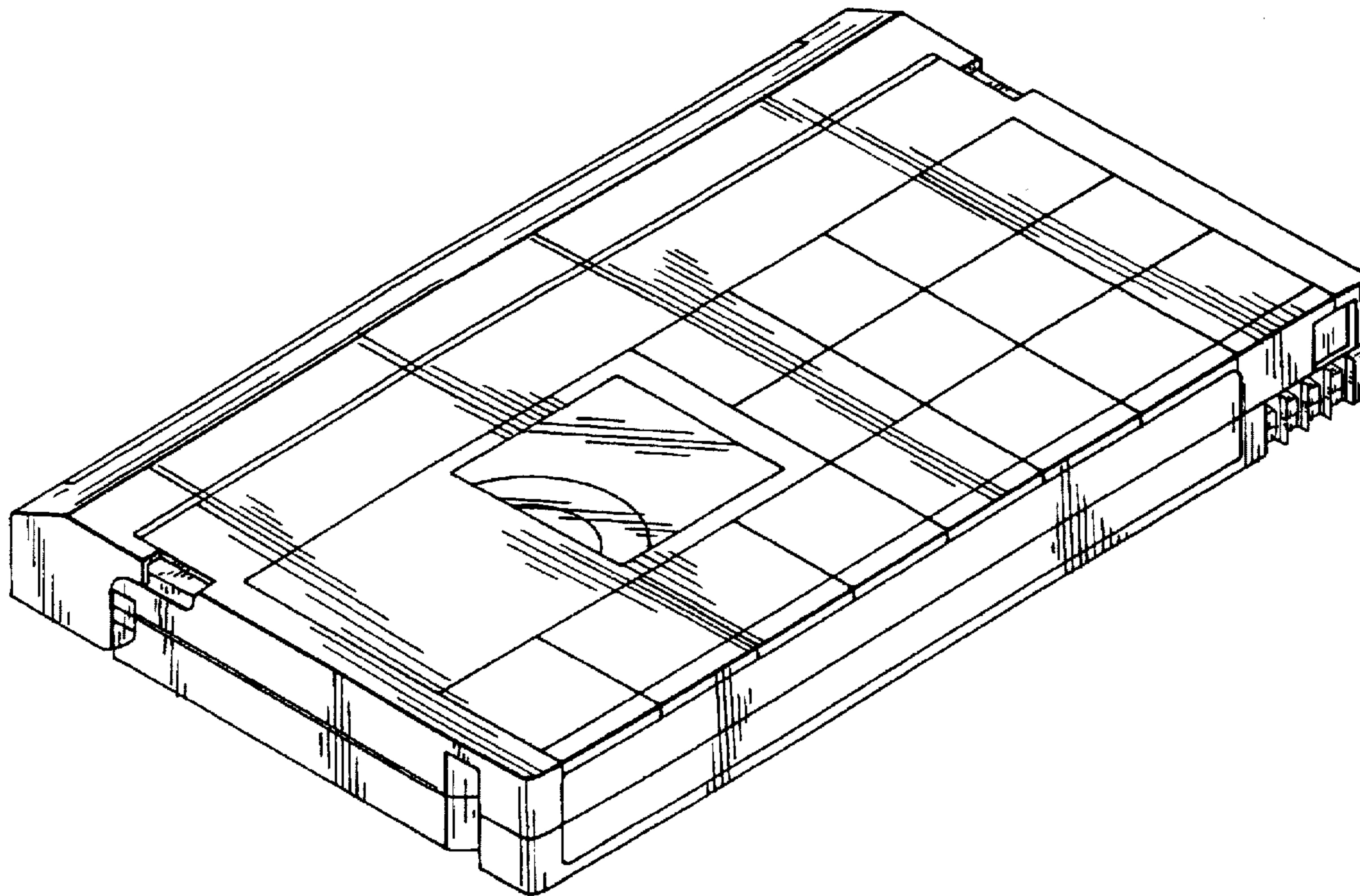
- [62] Division of Ser. No. 43,702, Sep. 11, 1995, Pat. No. Des. 377,791.
- [51] LOC (6) Cl. .... **21-01**
- [52] U.S. Cl. .... **D14/121**
- [58] Field of Search ..... D14/121, 100, D14/114, 122, 299, 135, 136; D21/13, 48; 273/148 B; 463/30-35, 46, 1; 242/348, 348.4, 341; 360/132, 133

### References Cited

#### U.S. PATENT DOCUMENTS

- D. 274,327 6/1984 Sumisha et al. .... D14/121
- D. 351,379 10/1994 Suzuki ..... D14/121
- D. 351,380 10/1994 Suzuki ..... D14/121
- D. 360,202 7/1995 Gelardi et al. .... D14/121
- D. 364,614 11/1995 Bailey et al. .... D14/121

1 Claim, 6 Drawing Sheets



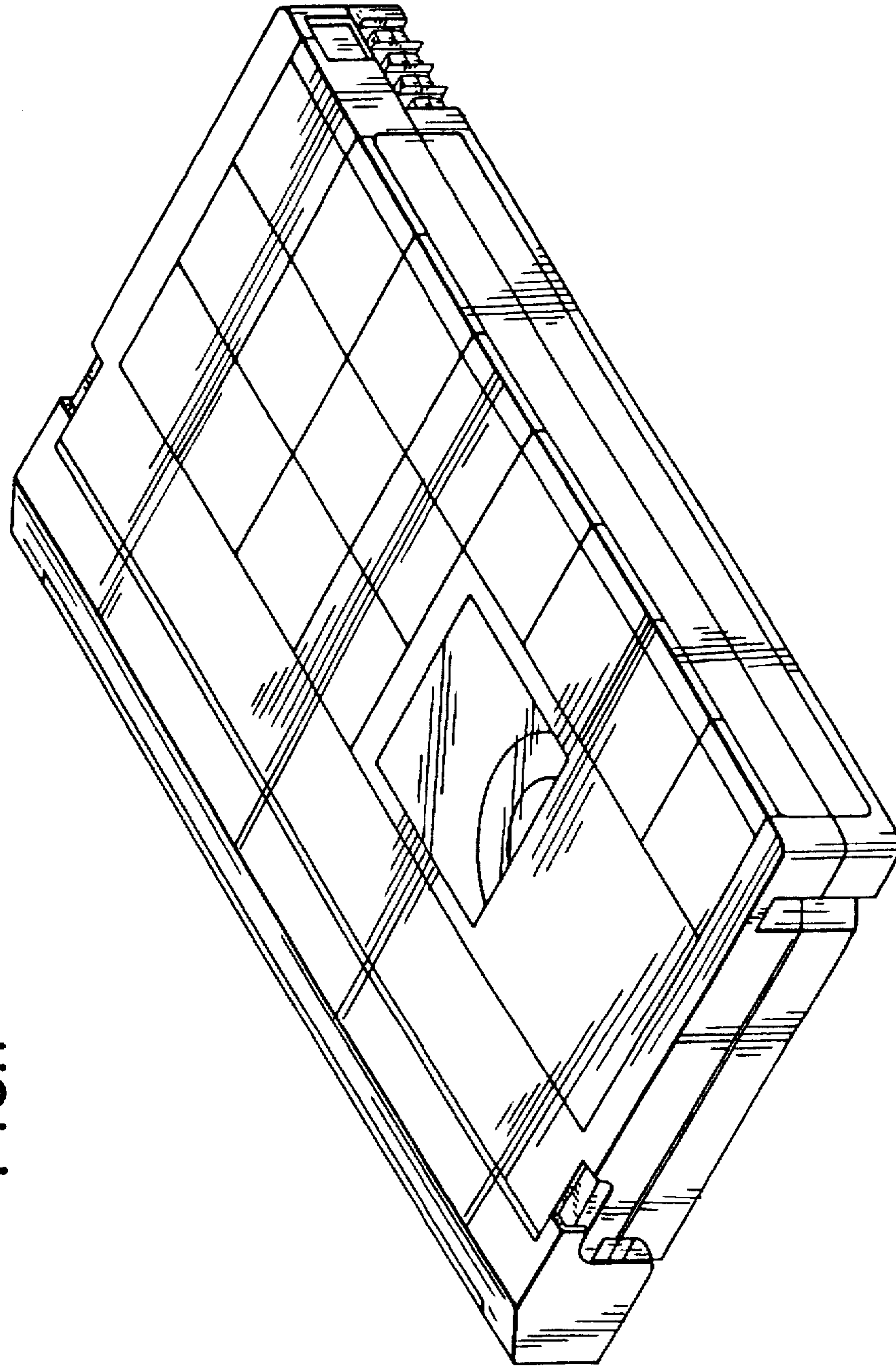


FIG.1

FIG. 2

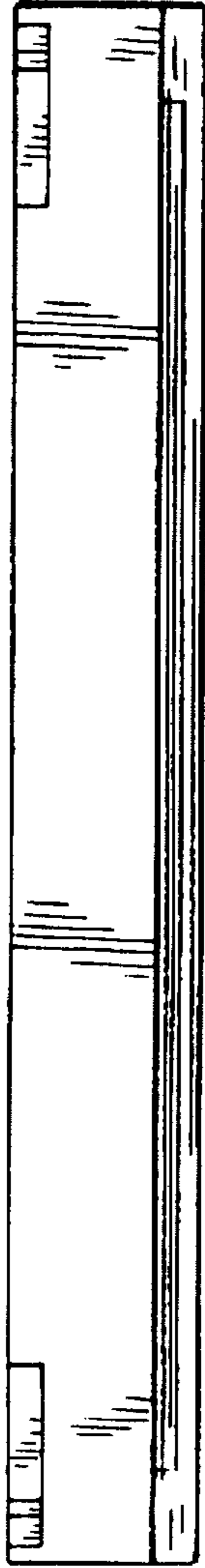


FIG. 3

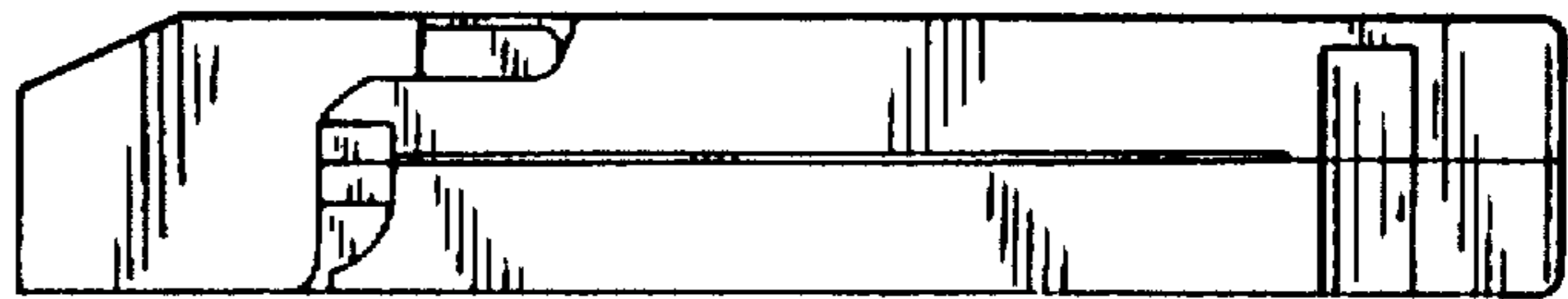


FIG. 4

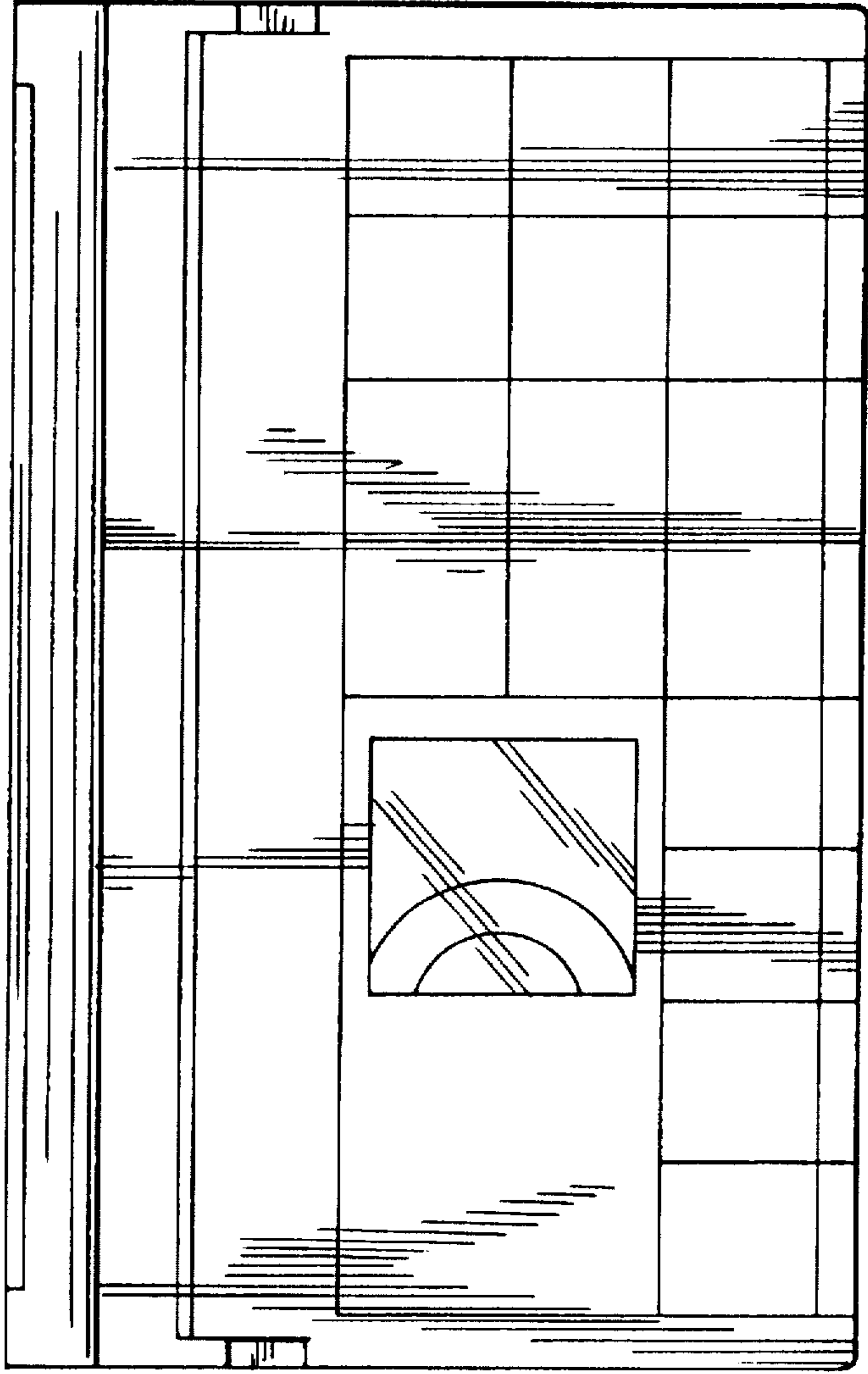


FIG. 5



FIG. 6

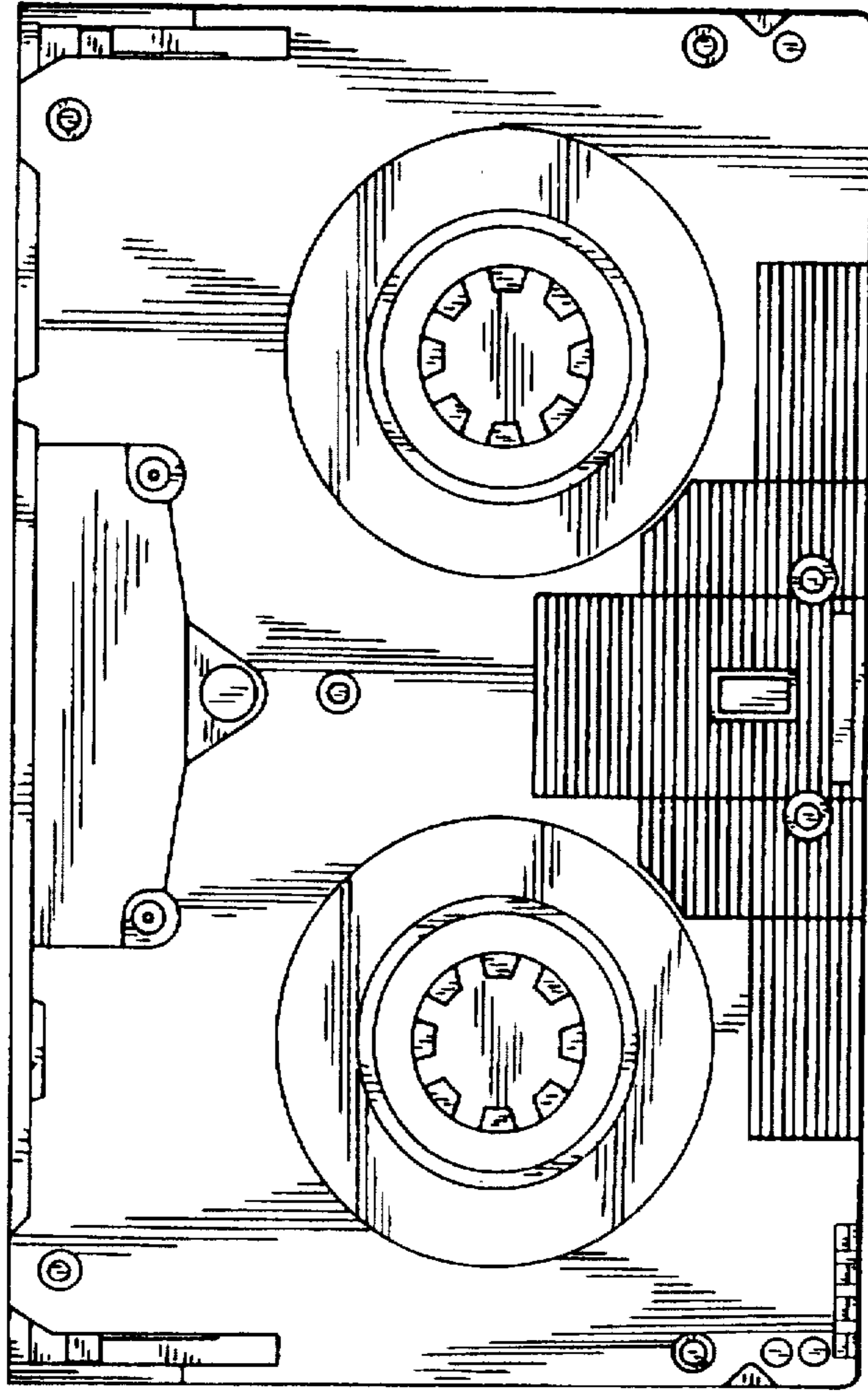
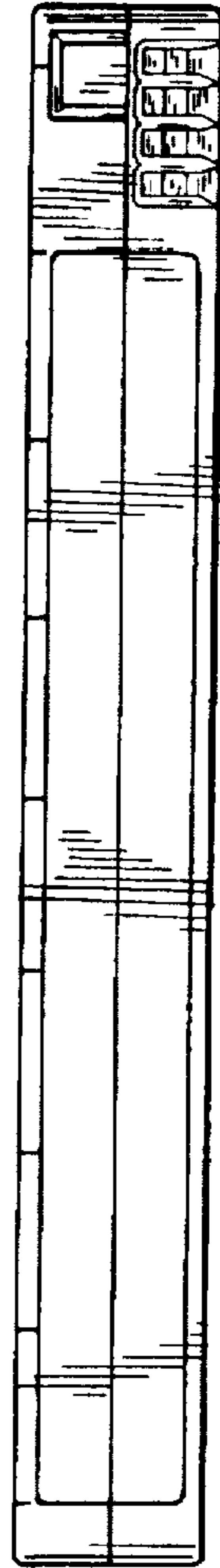


FIG. 7



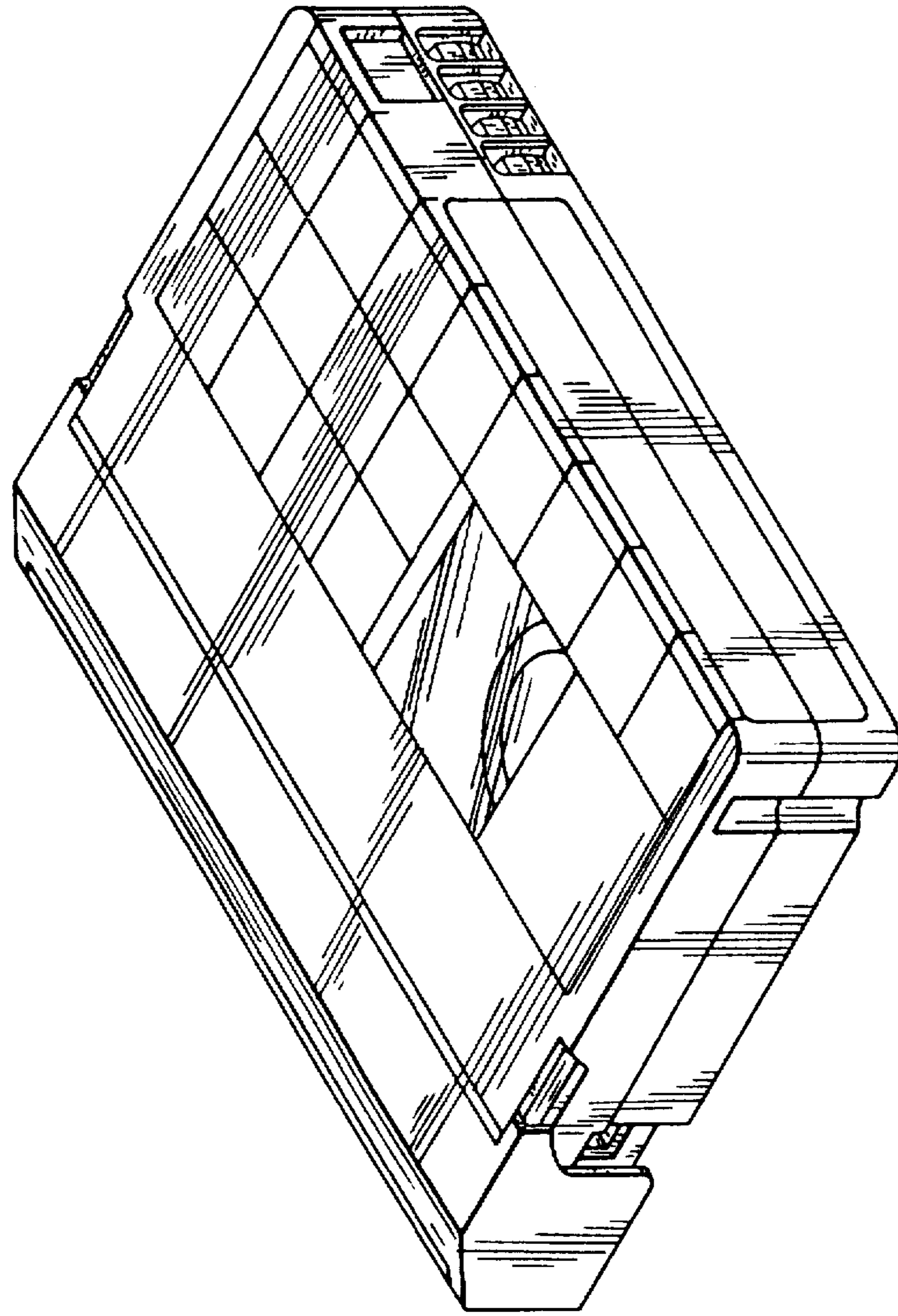


FIG. 8

FIG. 9

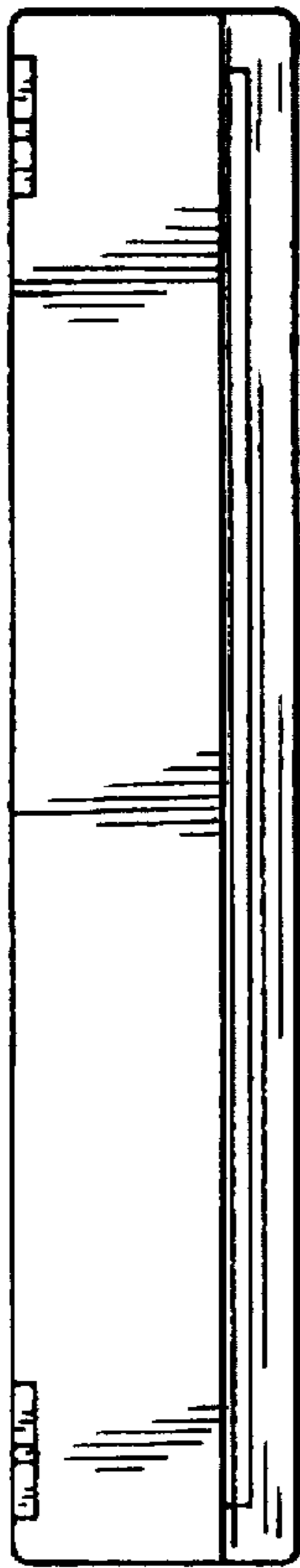


FIG. 11

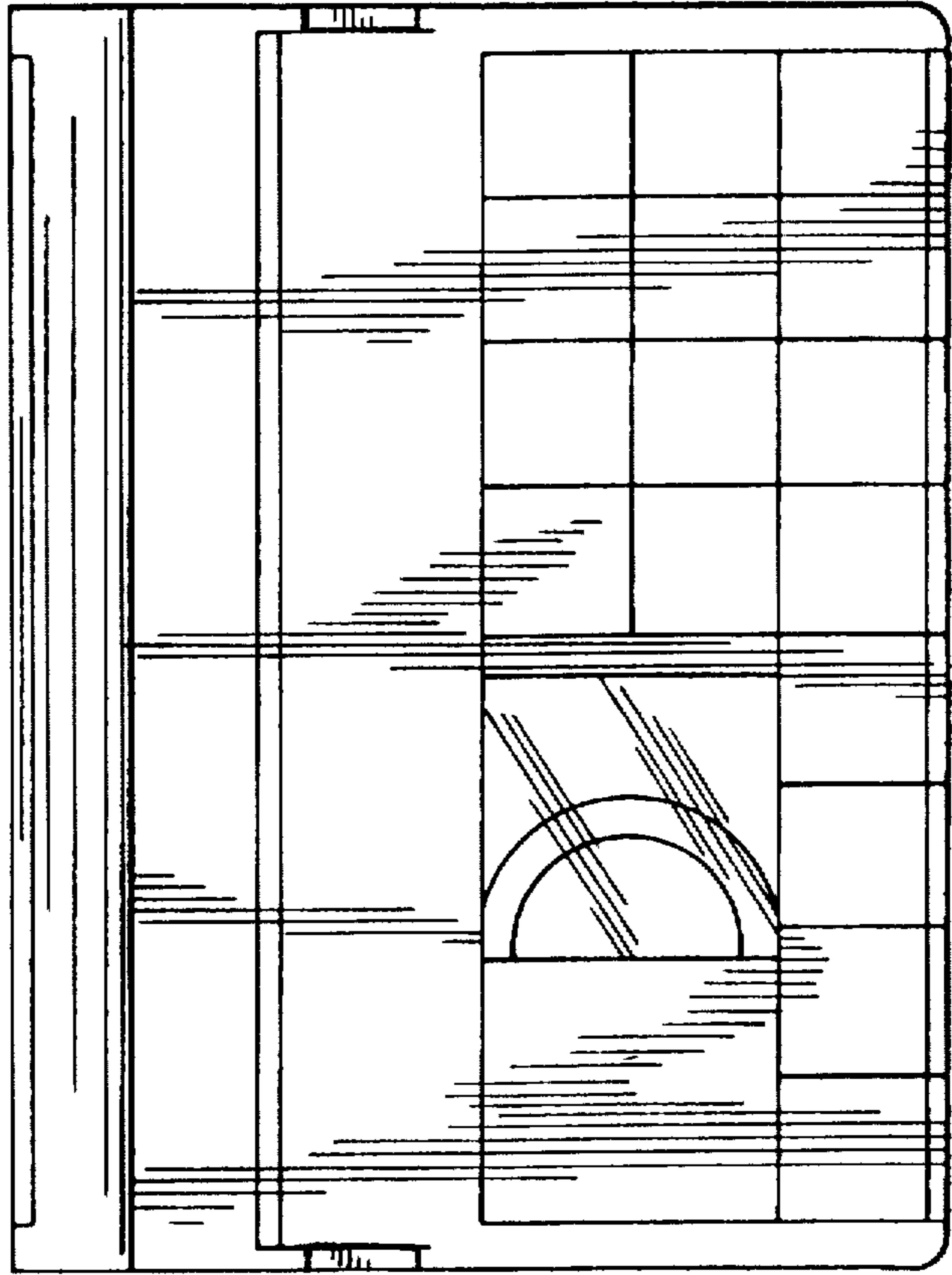


FIG. 10

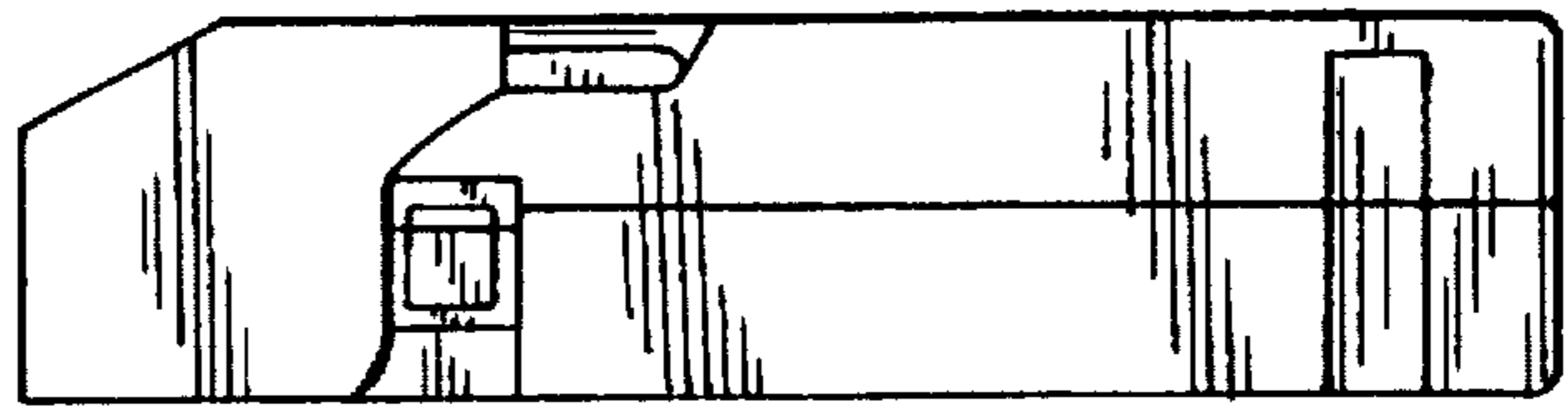


FIG. 13

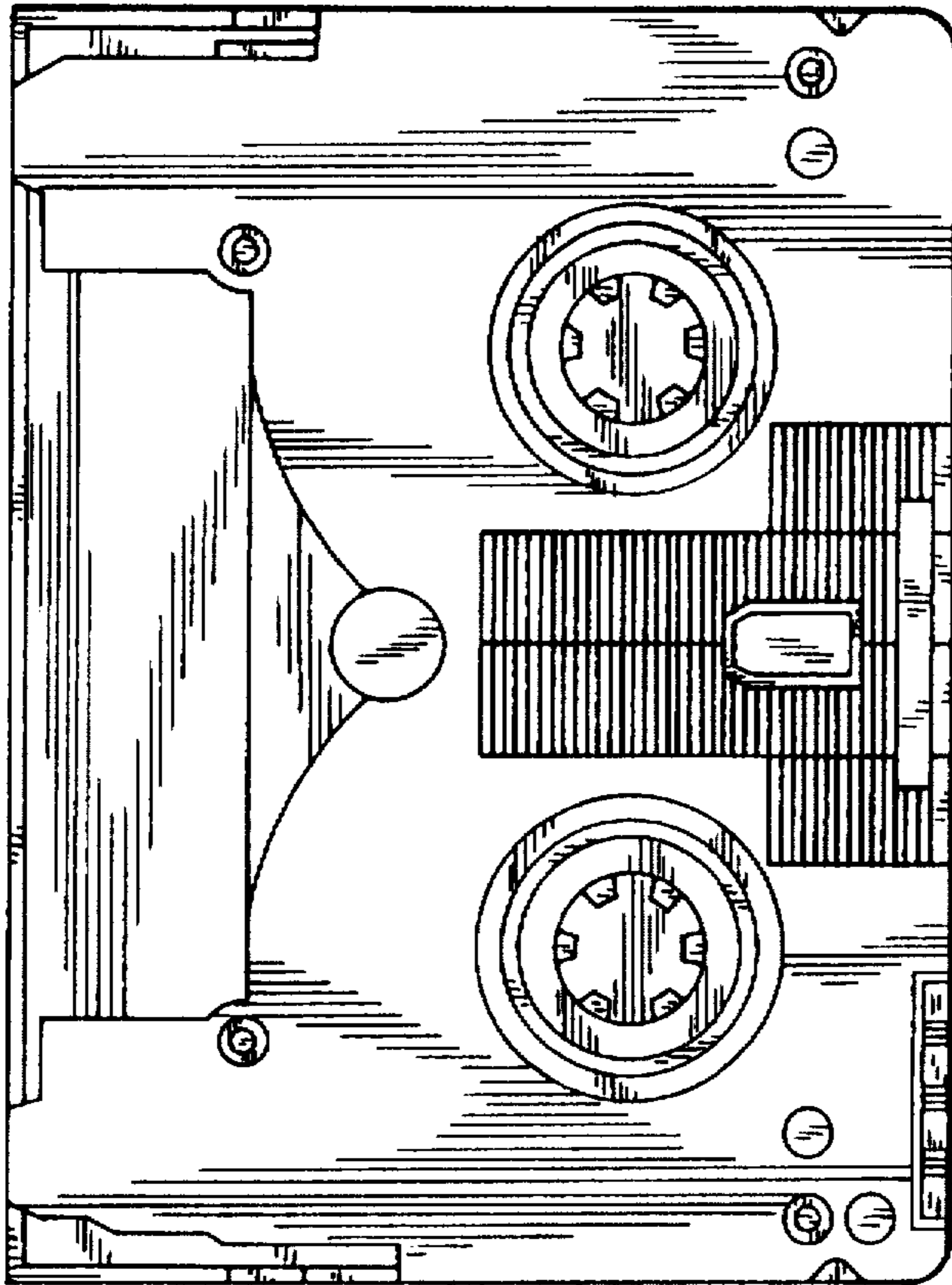


FIG. 12

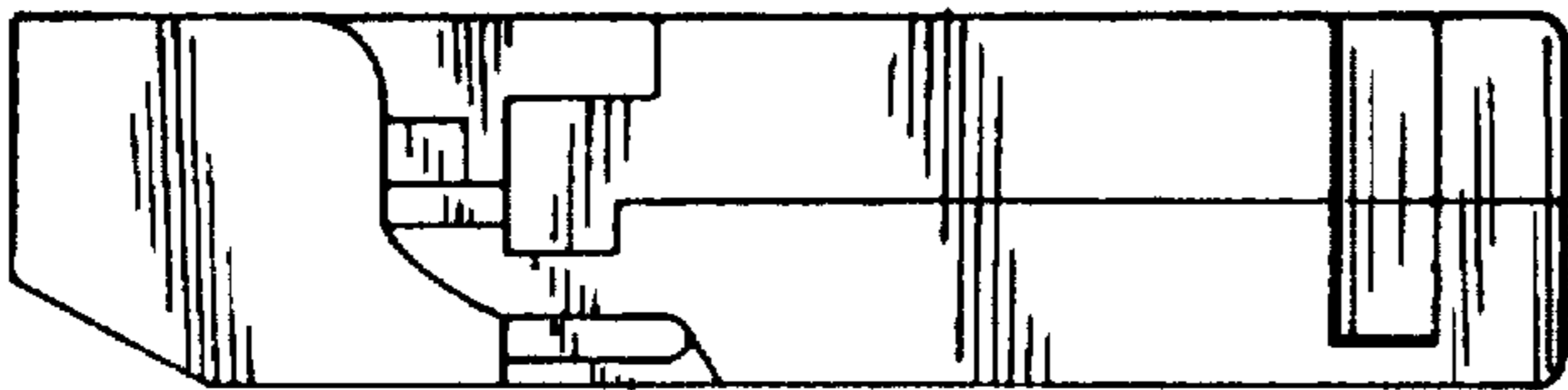


FIG. 14

