



US00D394249S

United States Patent [19]
Takahashi et al.

[11] **Patent Number:** **Des. 394,249**
[45] **Date of Patent:** ****May 12, 1998**

[54] **MAGNETIC DISC FOR COMPUTER**

D. 342,062 12/1993 Martin D14/114
D. 350,115 8/1994 Ittikar et al. D14/114

[75] **Inventors:** **Kazuo Takahashi; Kazuyuki Yamamoto; Minoru Watanabe; Takashi Yamada.** all of Tokyo, Japan

Primary Examiner—Kay H. Chin
Attorney, Agent, or Firm—Foley & Lardner

[73] **Assignee:** **Sony Corporation.** Tokyo, Japan

[57] **CLAIM**

[**] **Term:** **14 Years**

The ornamental design for a magnetic disc for computer, as shown and described.

[21] **Appl. No.:** **53,695**

DESCRIPTION

[22] **Filed:** **Apr. 26, 1996**

FIG. 1 is a perspective view of a magnetic disc for a computer showing our new design;
FIG. 2 is a perspective view thereof wherein the lid portion is in the open position;
FIG. 3 is a top plan view thereof;
FIG. 4 is a left side elevational view thereof;
FIG. 5 is a front elevational view thereof;
FIG. 6 is a bottom plan view thereof;
FIG. 7 is a right side elevational view thereof; and,
FIG. 8 is a rear elevational view thereof.

[51] **LOC (6) Cl.** **14-02**

[52] **U.S. Cl.** **D14/114**

[58] **Field of Search** D14/114; 360/60, 360/132, 133, 135, 97.01-99.12; 206/312

[56] **References Cited**

U.S. PATENT DOCUMENTS

D. 325,468 4/1992 Ohba D14/114
D. 339,798 9/1993 Tannert et al. D14/114

1 Claim, 3 Drawing Sheets

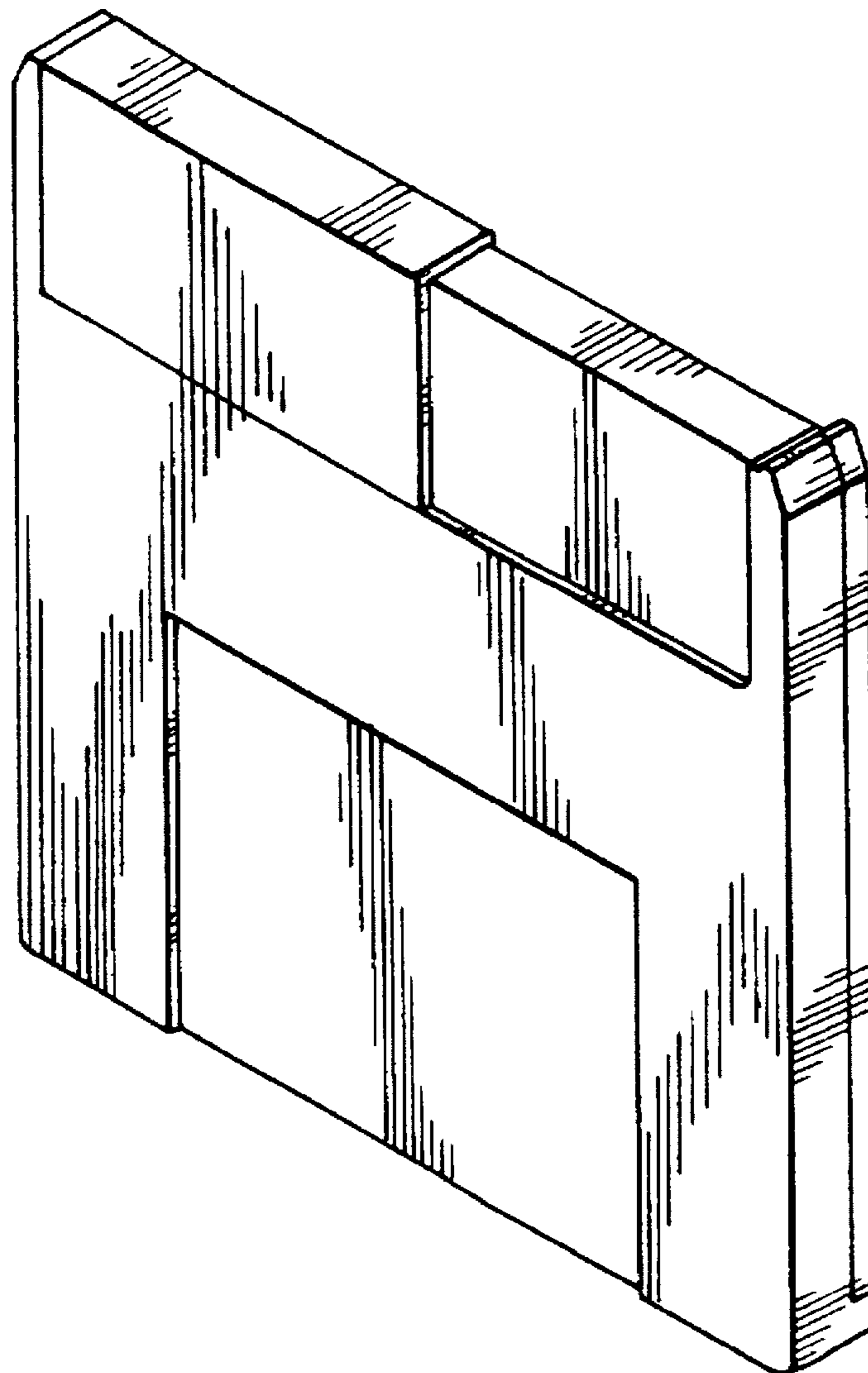


FIG. 2

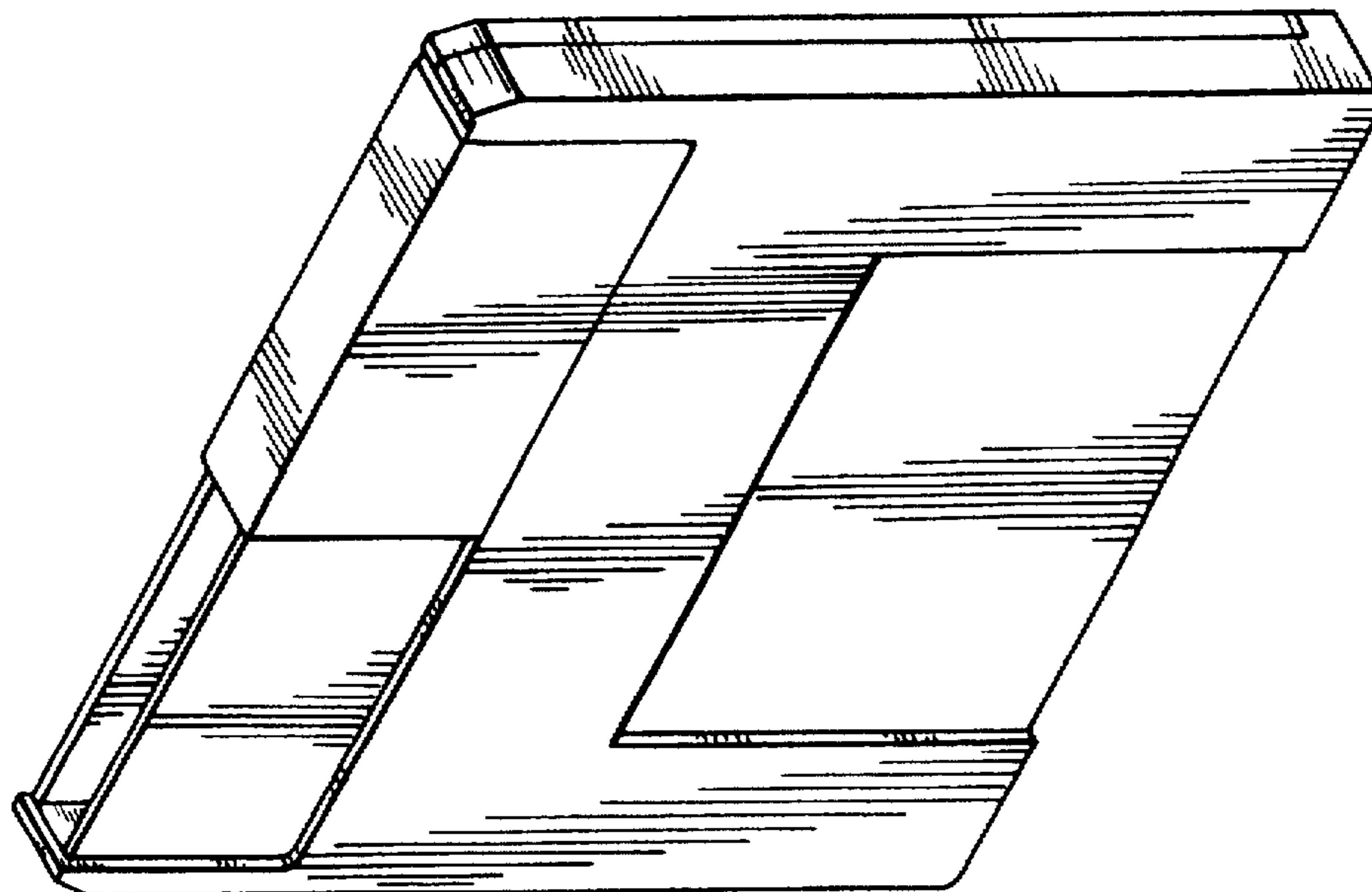


FIG. 1

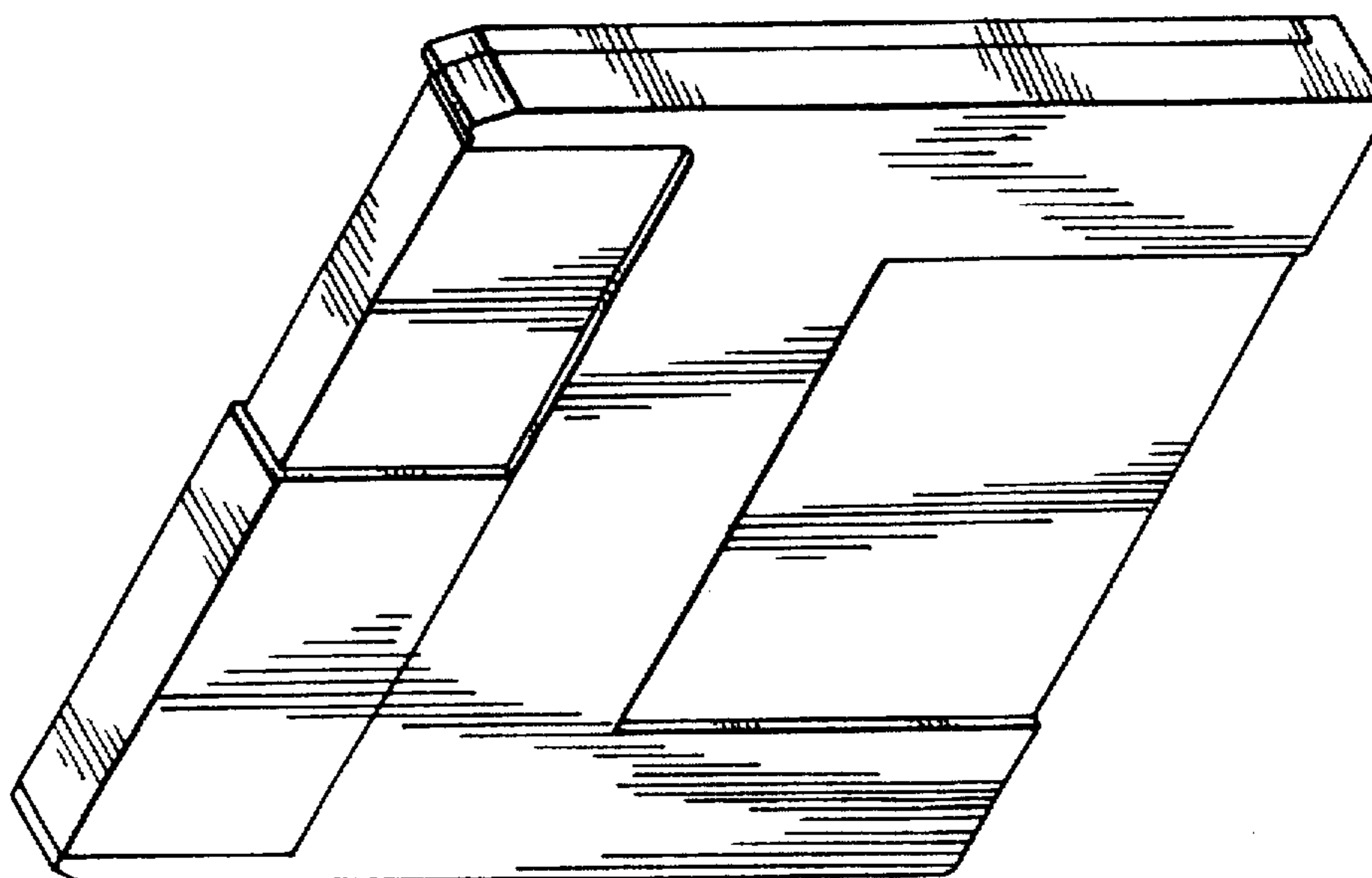


FIG. 3

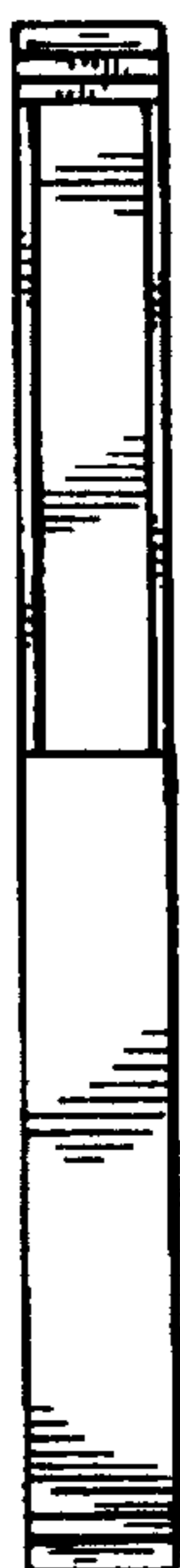


FIG. 5

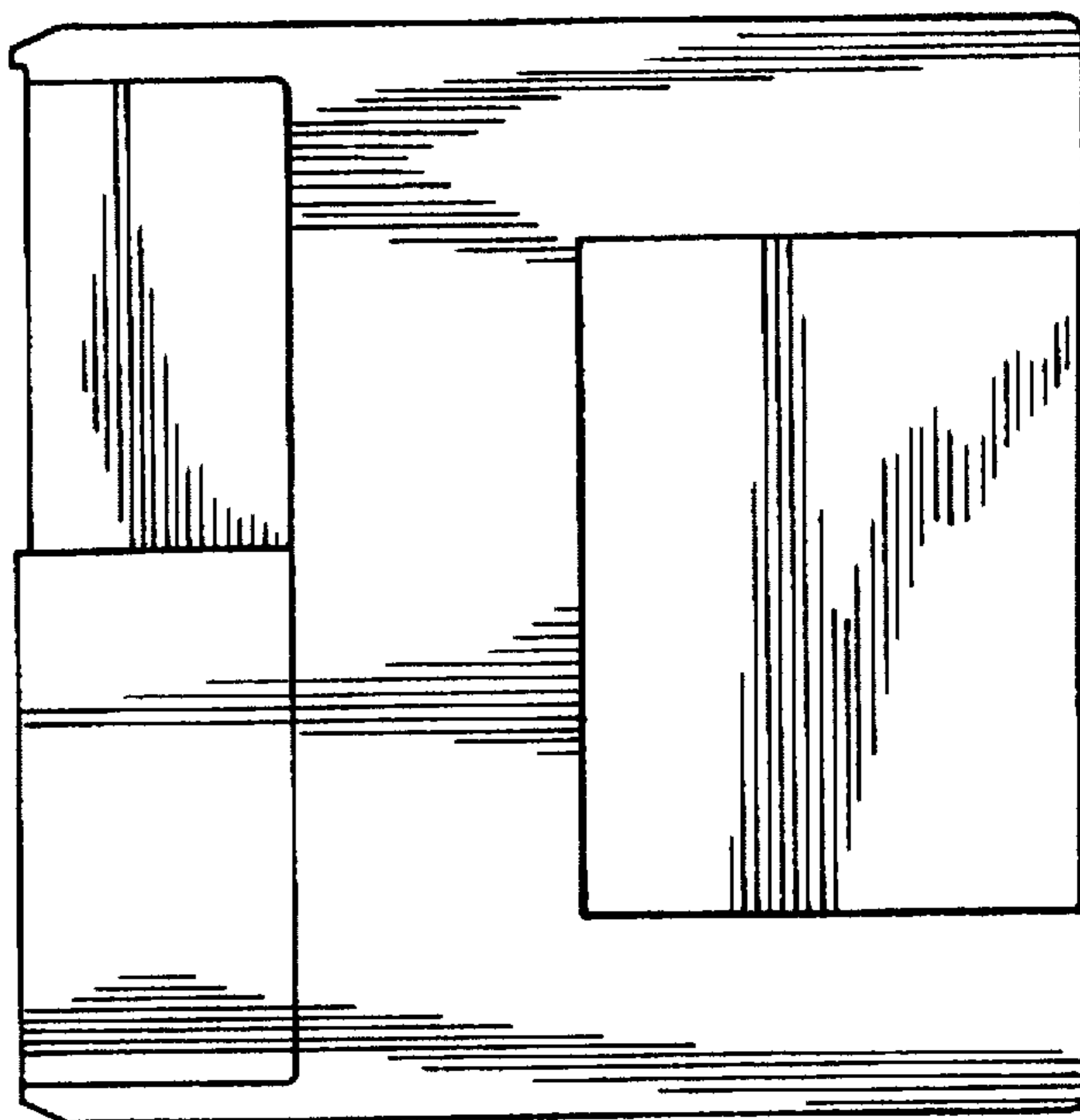


FIG. 4



FIG. 6



FIG. 7

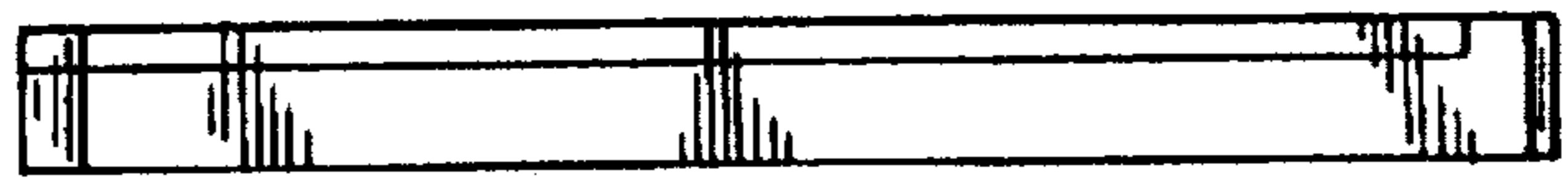


FIG. 8

