



US00D394248S

United States Patent [19]

Duan

[11] Patent Number: **Des. 394,248**

[45] Date of Patent: ****May 12, 1998**

[54] **LIQUID CRYSTAL DISPLAY**

[75] Inventor: **Alex Duan, Taipei, Taiwan**

[73] Assignee: **Topvision Technologies, Inc., Taipei, Taiwan**

[**] Term: **14 Years**

[21] Appl. No.: **71,439**

[22] Filed: **May 29, 1997**

[30] Foreign Application Priority Data

May 21, 1997 [TW] Taiwan 86304333

[51] LOC (6) Cl. **14-02**

[52] U.S. Cl. **D14/113; D14/126**

[58] Field of Search D14/100, 106, D14/113, 101, 124-129; 248/917-924; 345/104, 133, 156, 168, 87, 173, 901-905; 348/180, 184, 325, 739

[56] References Cited

U.S. PATENT DOCUMENTS

D. 355,176 2/1995 Maeno et al. D14/113

D. 356,077 3/1995 Harada et al. D14/113 X
D. 356,081 3/1995 Naito et al. D14/113 X
D. 356,555 3/1995 Takemasa et al. D14/113
D. 373,579 9/1996 Searby et al. D14/113

Primary Examiner—Freda Nunn

[57] CLAIM

The ornamental design for a liquid crystal display, as shown and described.

DESCRIPTION

FIG. 1 is a perspective view of a liquid crystal display showing my new design;

FIG. 2 is a front elevational view thereof;

FIG. 3 is a rear elevational view thereof;

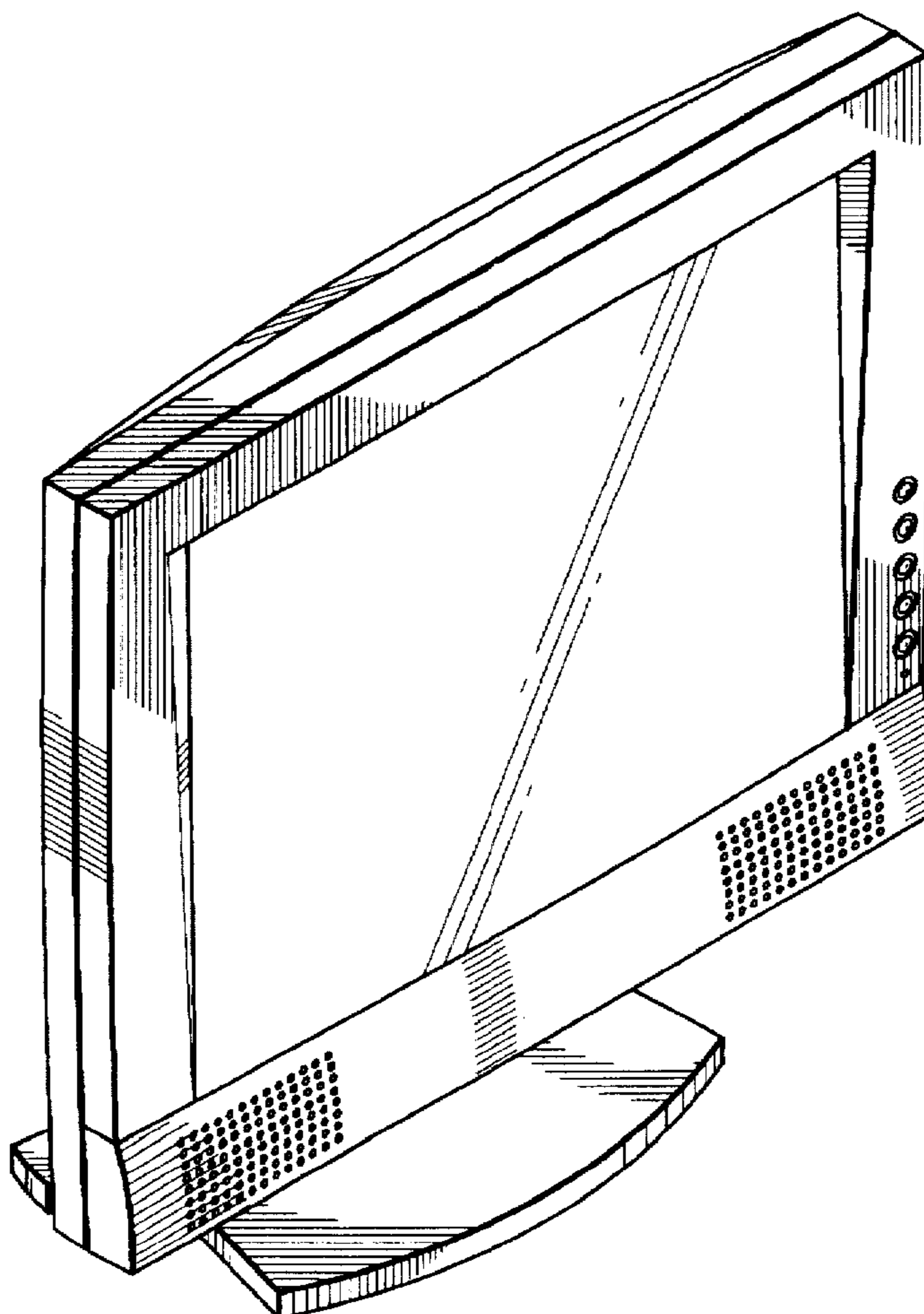
FIG. 4 is a left side elevational view thereof;

FIG. 5 is a right side elevational view thereof;

FIG. 6 is a bottom plan view thereof; and,

FIG. 7 is a top plan view thereof.

1 Claim, 7 Drawing Sheets



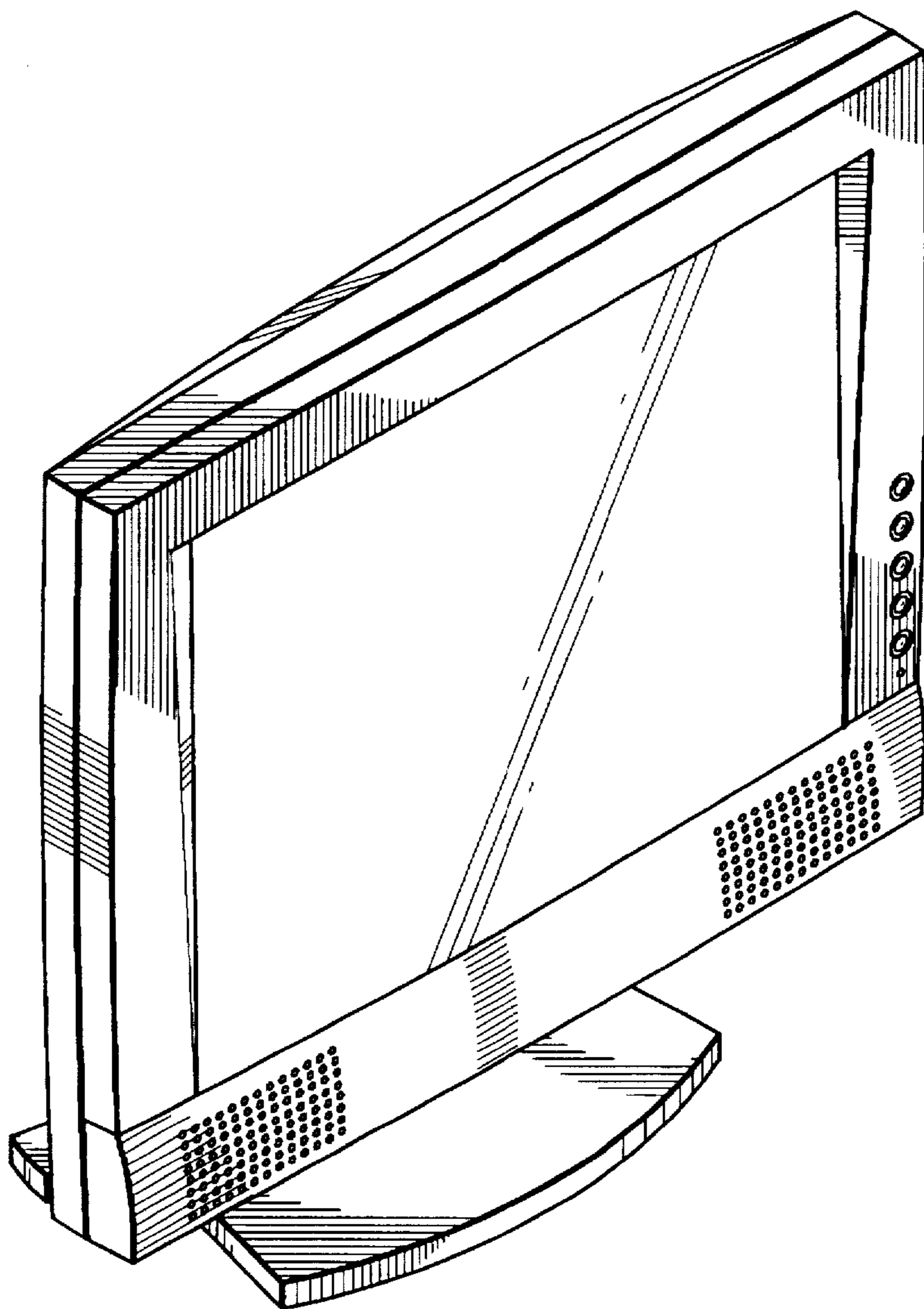


FIG. 1

FIG. 2

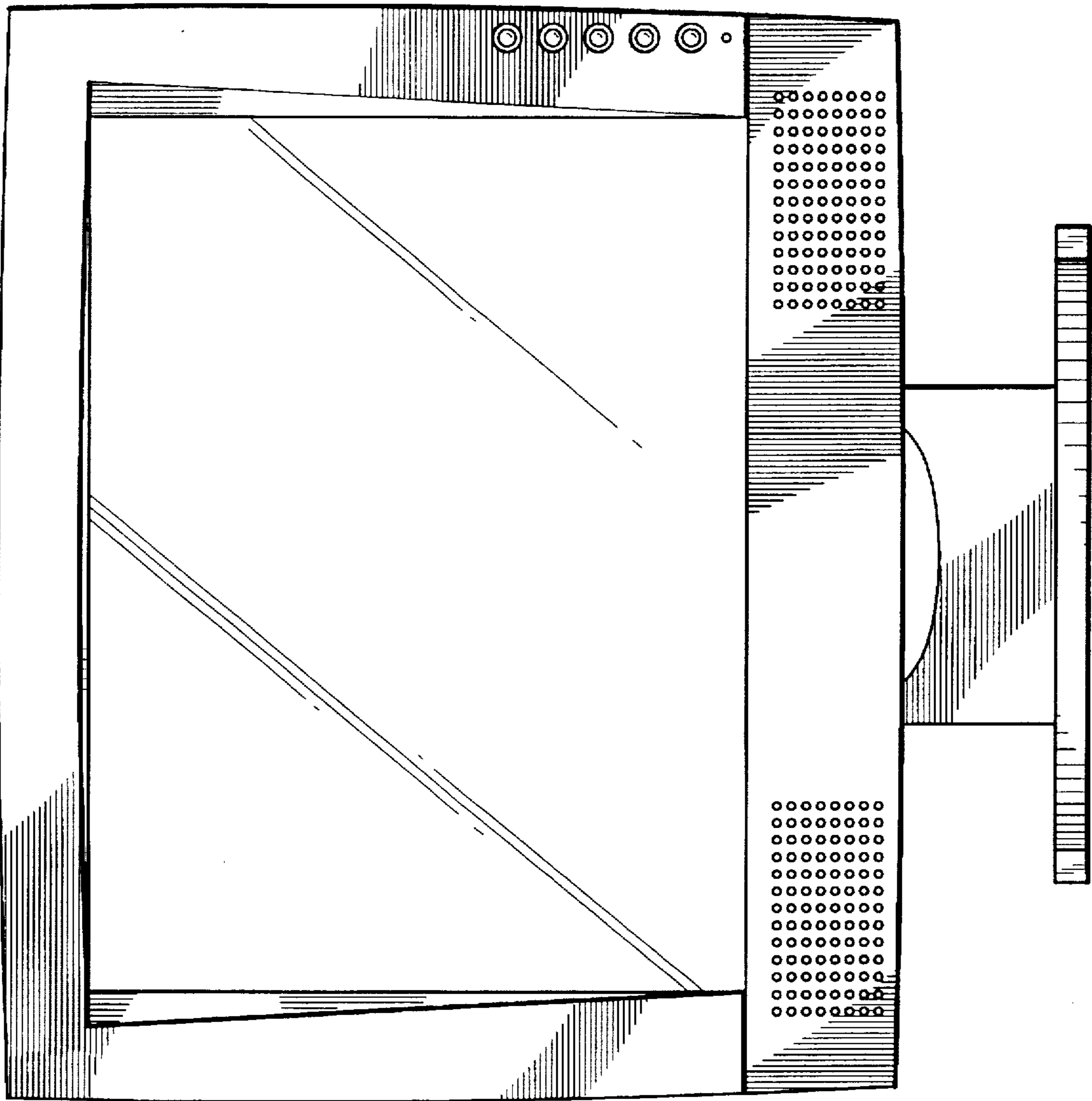
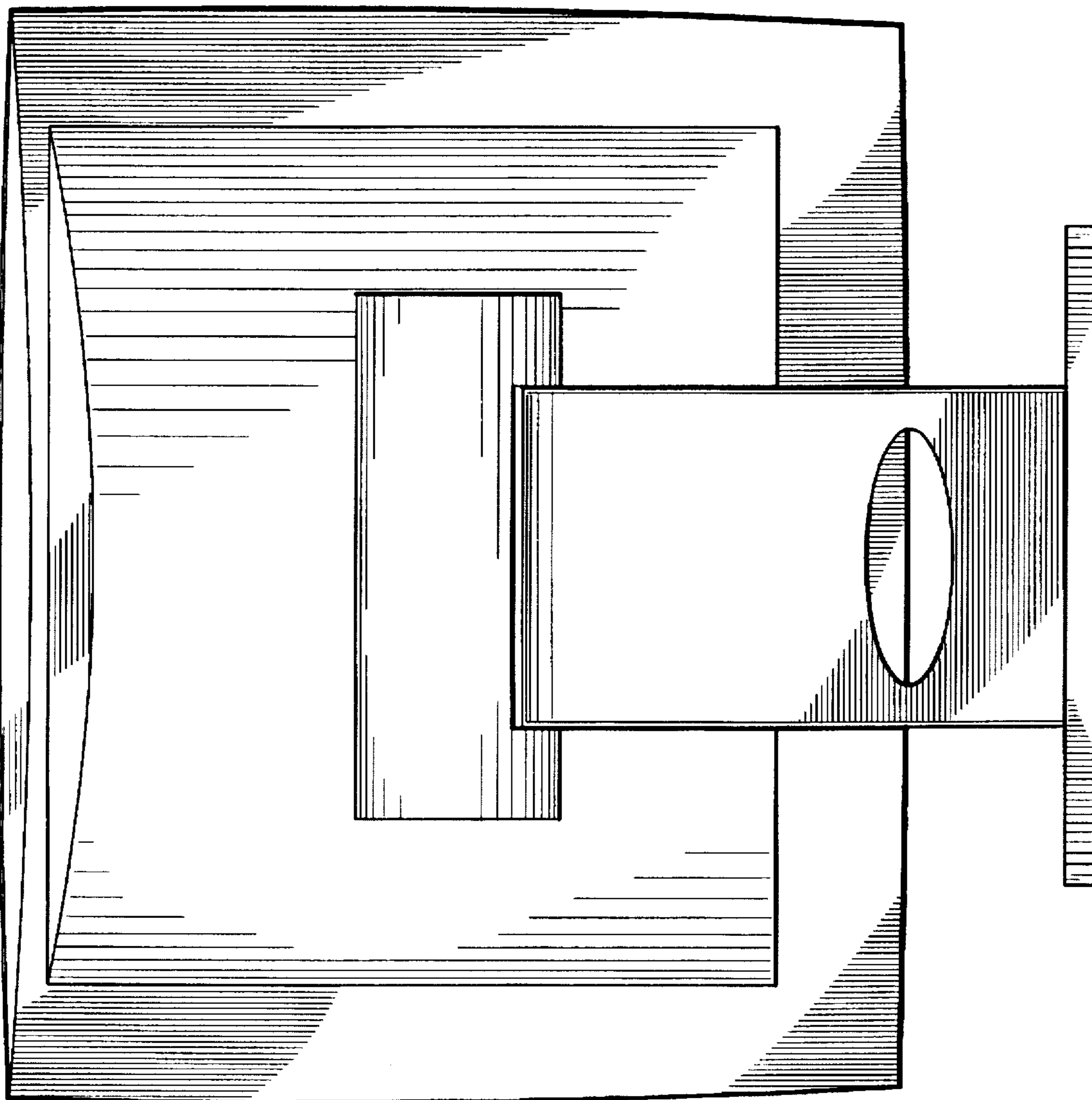


FIG. 3



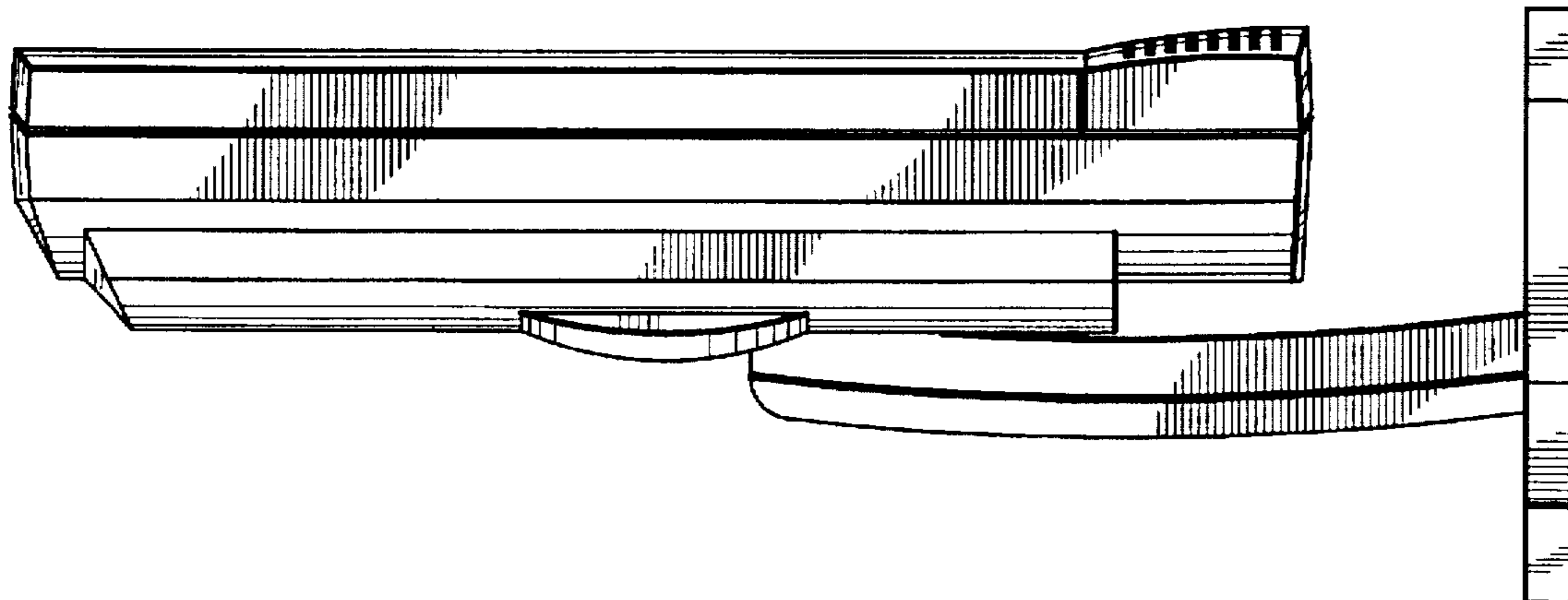


FIG. 4

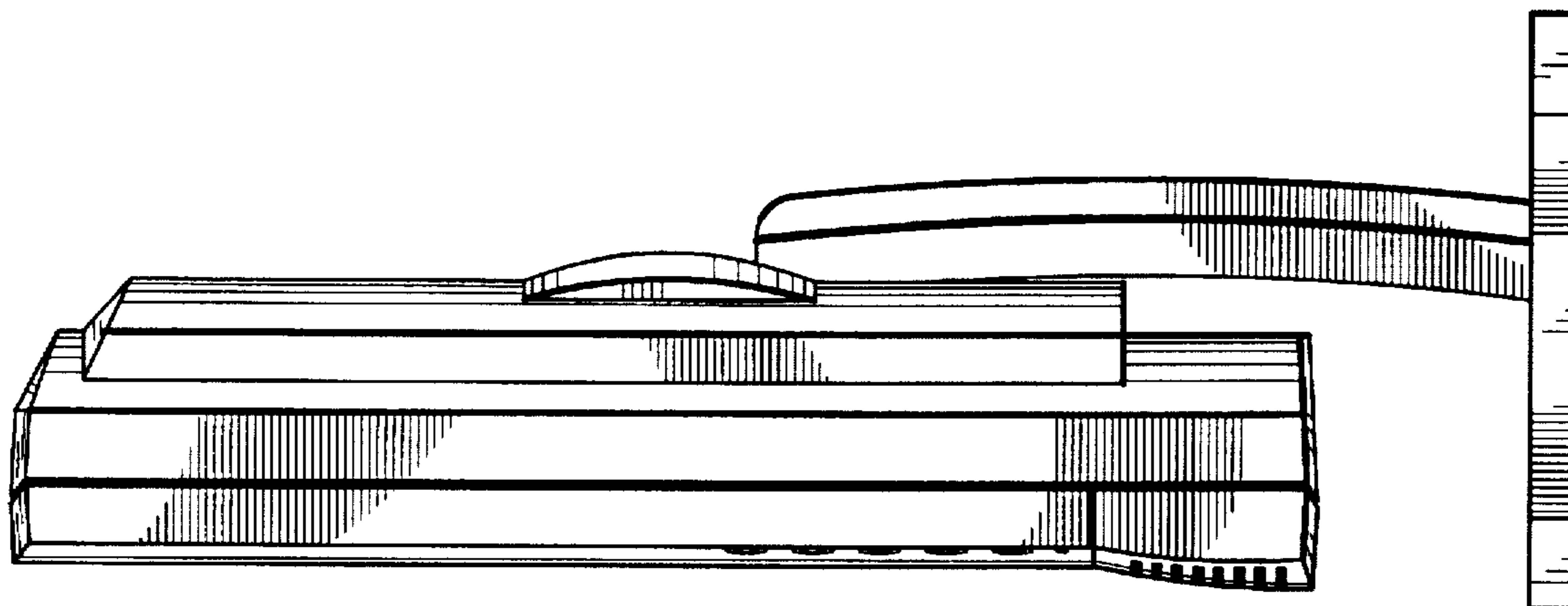
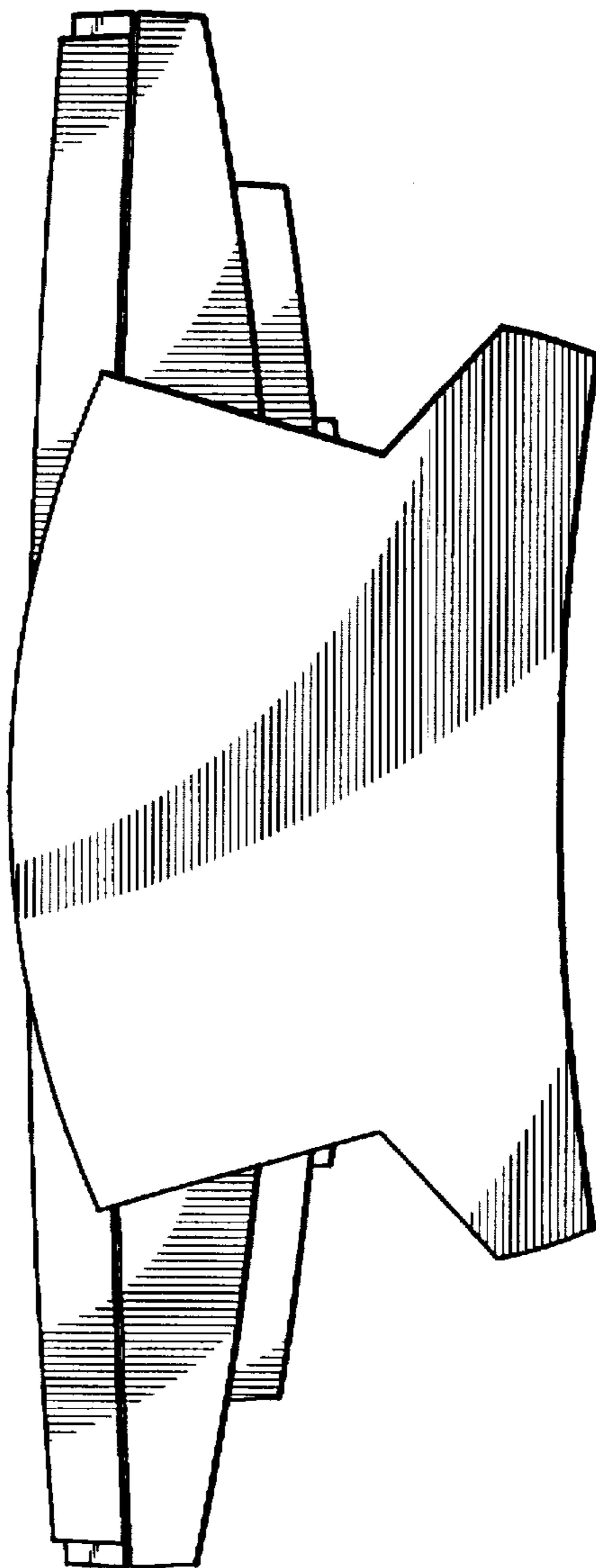


FIG. 5

FIG. 6



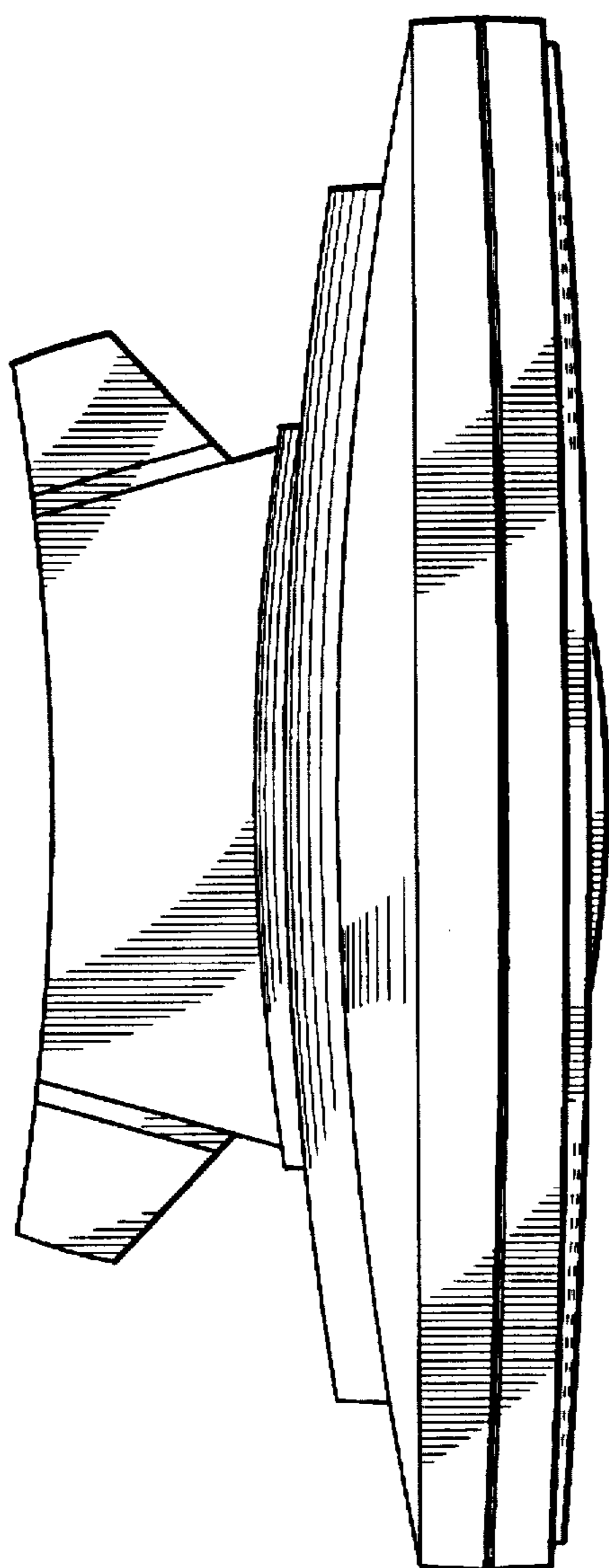


FIG. 7