



US00D394247S

# United States Patent [19] Kondo

[11] Patent Number: Des. 394,247  
[45] Date of Patent: \*\*May 12, 1998

[54] UNIT FOR EXTENTION OF FUNCTIONS OF ELECTRONIC COMPUTERS

908192 10/1994 Japan .  
127189 1/1990 Taiwan .  
134452 5/1990 Taiwan .

[75] Inventor: Osamu Kondo, Tokyo, Japan

### OTHER PUBLICATIONS

[73] Assignee: Kabushiki Kaisha Toshiba, Kawasaki, Japan

Catalog, Macintosh Duo MiniDock, Apple Computer, Mar. 26, 1993.

[\*\*] Term: 14 Years

Catalog, (FMC-601), Fujitsu, Oct. 24, 1991.

[21] Appl. No.: 66,185

Catalog, (Mini-Docking Station), Swan Technologies Corporation, May 10, 1996.

[22] Filed: Feb. 6, 1997

Catalog, (Main Docking Station), Swan Technologies Corporation, May 10, 1996.

### [30] Foreign Application Priority Data

Magazine, Duo Mini Dock, Apple Computer.

Aug. 6, 1996 [JP] Japan ..... 8-23477

Sony, Catalog Sep. 1991.

[51] LOC (6) Cl. .... 14-02

Nippon-Artecon SB 3000 XD Dec. 7, 1994 (date obtained by applicant).

[52] U.S. Cl. .... D14/107

Primary Examiner—Freda Nunn

[58] Field of Search ..... D14/100, 107,  
D14/114; D13/184, 199; 361/686; 364/708.1;  
439/95, 248

Attorney, Agent, or Firm—Banner & Witcoff, Ltd.

### [56] References Cited

### [57] CLAIM

#### U.S. PATENT DOCUMENTS

The ornamental design for a unit for extension of functions of electronic computers, as shown and described.

- D. 288,447 2/1987 Otsuka ..... D14/107
- D. 292,405 10/1987 Kitani et al. .... D14/111
- D. 302,812 8/1989 Shin-ichi Hiroki ..... D14/107
- D. 318,466 7/1991 Grundstrom et al. .... D14/114
- D. 332,091 12/1992 Iino ..... D14/107
- D. 342,487 12/1993 Iino ..... D14/107
- D. 366,469 1/1996 Youens ..... D14/107
- 5,126,954 6/1992 Morita ..... D14/107 X
- 5,182,698 1/1993 Kobayashi et al. .... 361/395
- 5,283,714 2/1994 Tsai et al. .... 361/683
- 5,535,093 7/1996 Noguchi et al. .... D14/107 X

#### DESCRIPTION

#### FOREIGN PATENT DOCUMENTS

- 94 04 957 6/1994 Germany .
- 62-708621 4/1987 Japan .
- 63-740409 5/1988 Japan .
- 2-791802 4/1990 Japan .
- 2-791816 4/1990 Japan .
- 844726 8/1992 Japan .

FIG. 1 is a top, front and right side perspective view of a unit for extension of functions of electronic computers showing my new design;

FIG. 2 is a front elevational view thereof;

FIG. 3 is a rear elevational view thereof;

FIG. 4 is a top plan view thereof;

FIG. 5 is a right side elevational view thereof;

FIG. 6 is a left side elevational view thereof;

FIG. 7 is a bottom plan view thereof;

FIG. 8 is a top, front and right side perspective view thereof with a card tray being pulled out, and,

FIG. 9 is a perspective view thereof showing the unit in the operative position wherein a laptop computer is shown in broken lines for illustrative purposes only and forms no part of the claimed design.

1 Claim, 4 Drawing Sheets

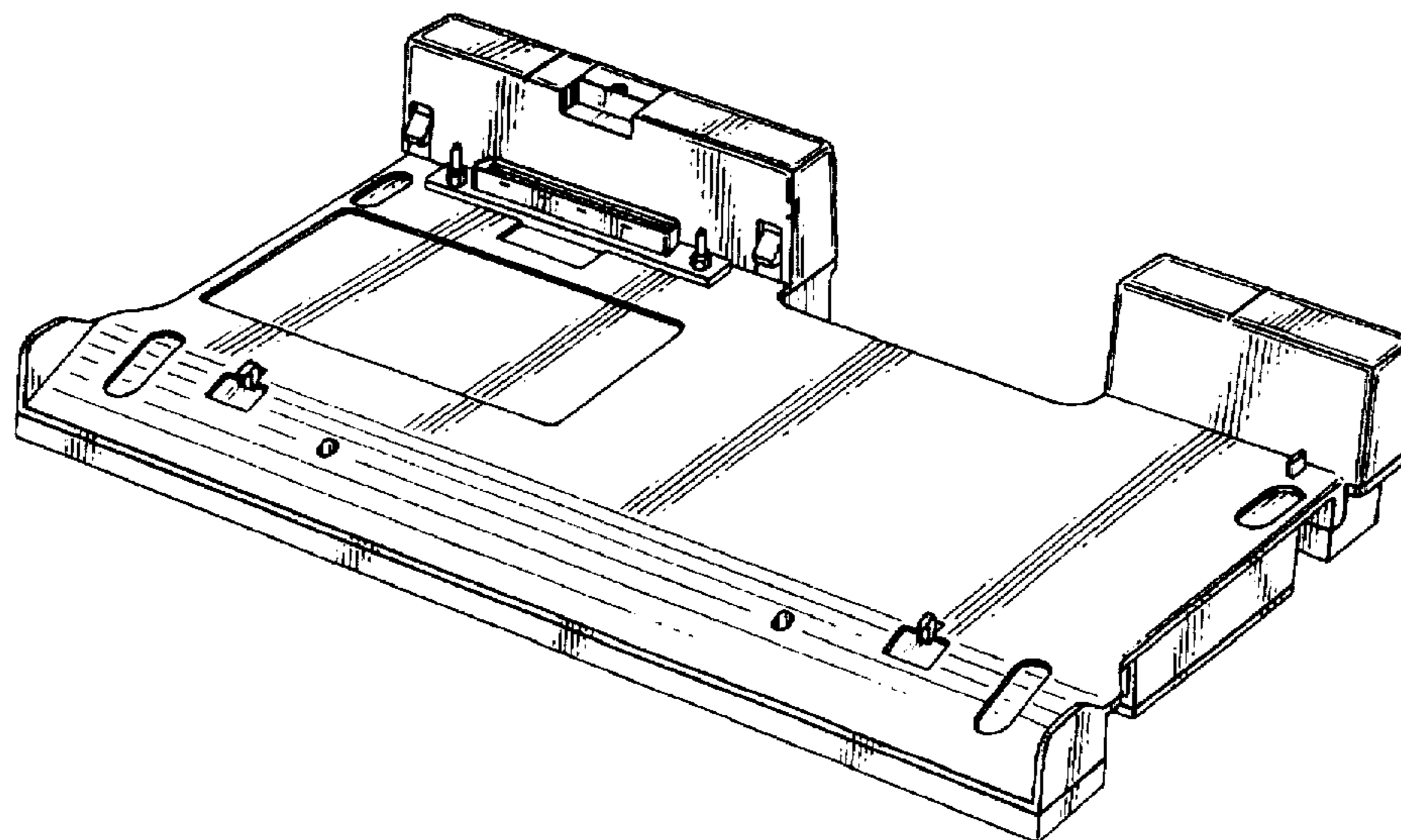


FIG. 1

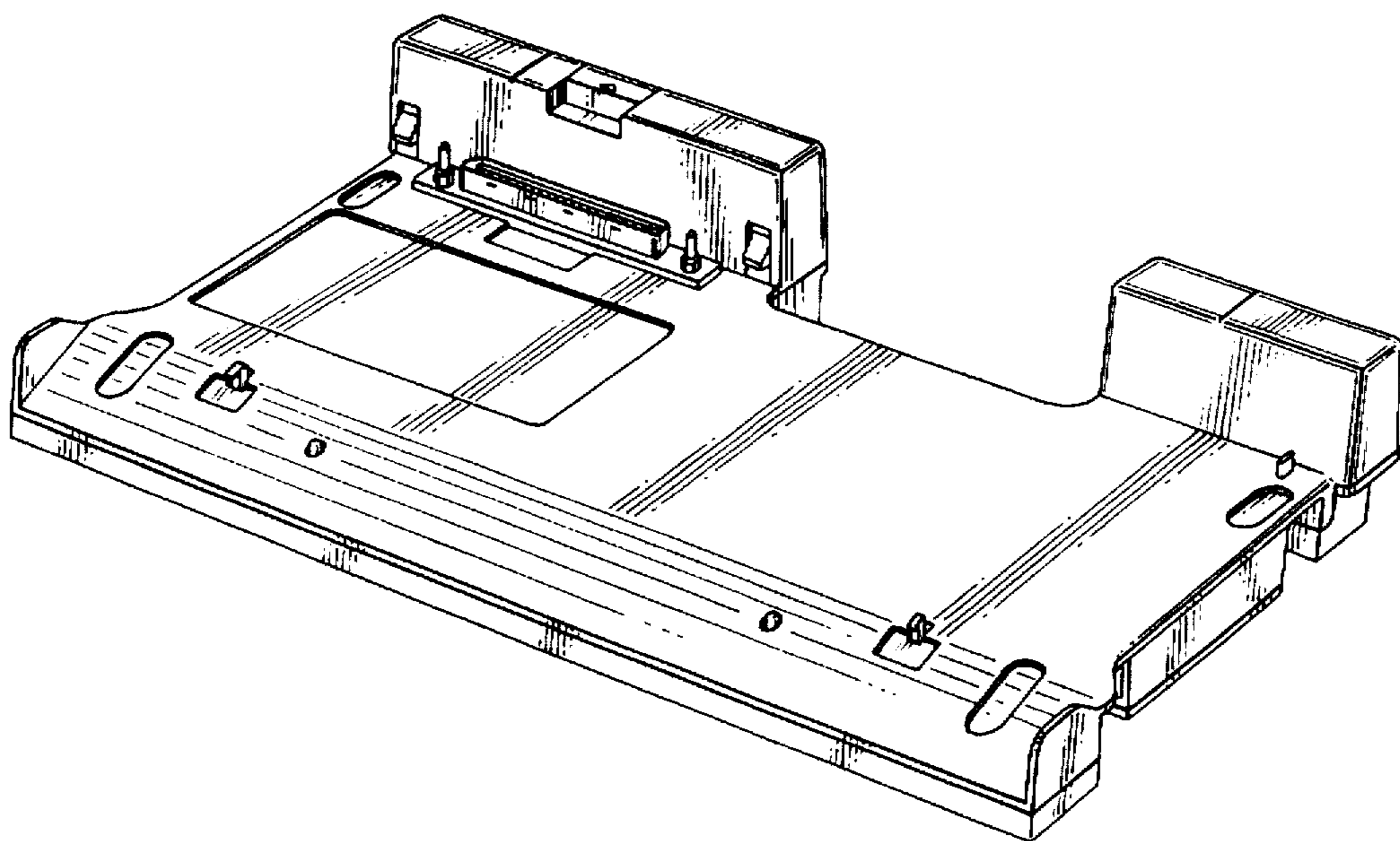


FIG. 2

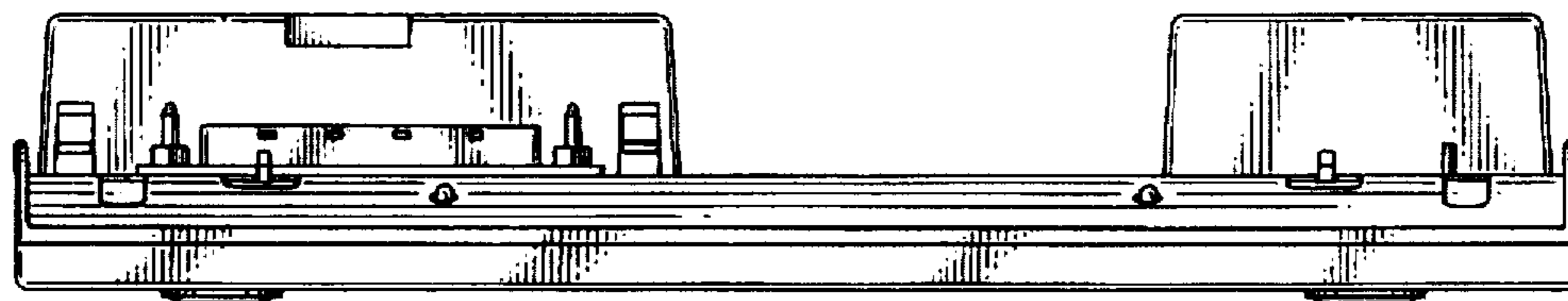


FIG. 3

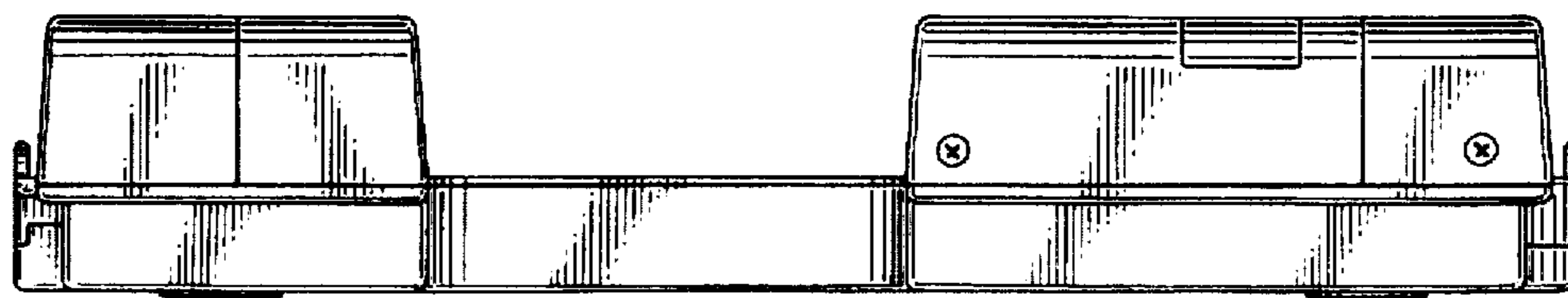


FIG. 4

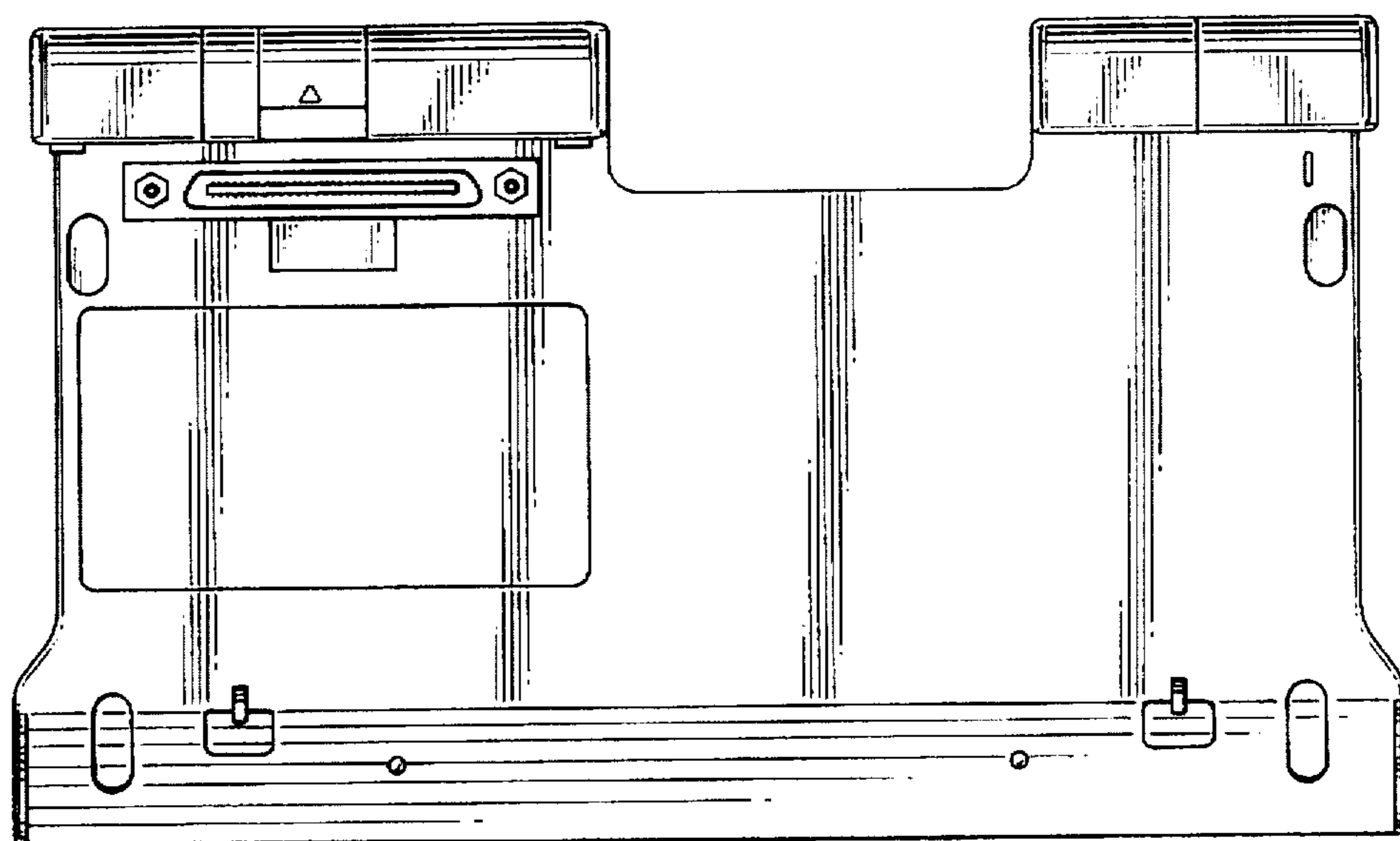


FIG. 5



FIG. 6

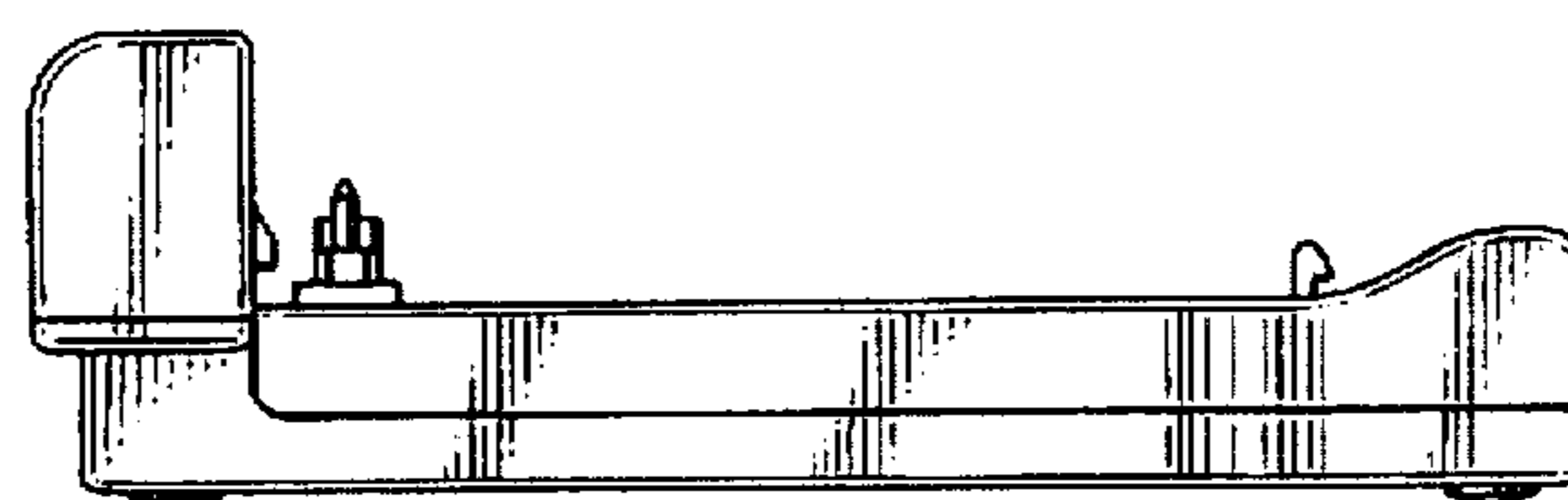




FIG. 7

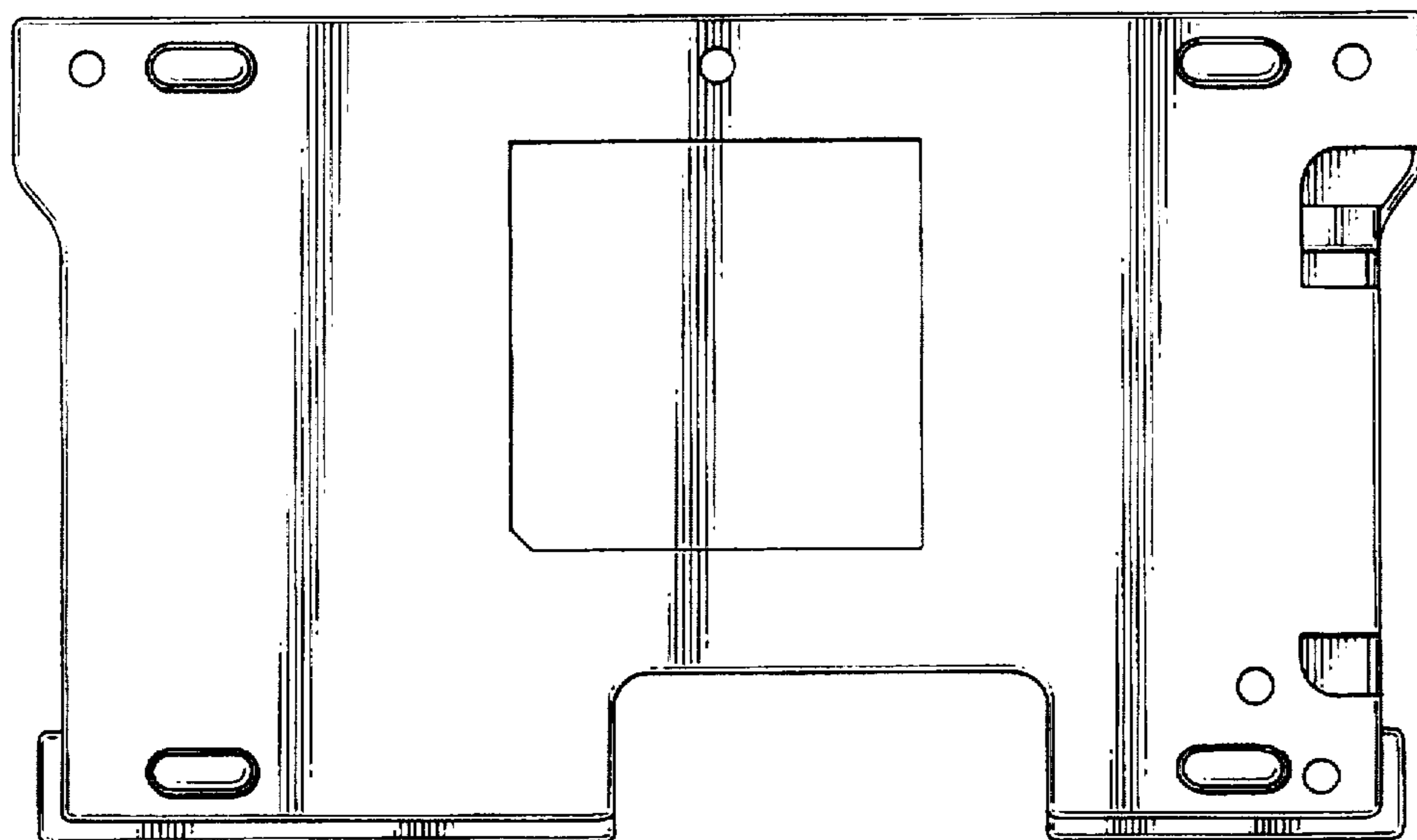


FIG. 8

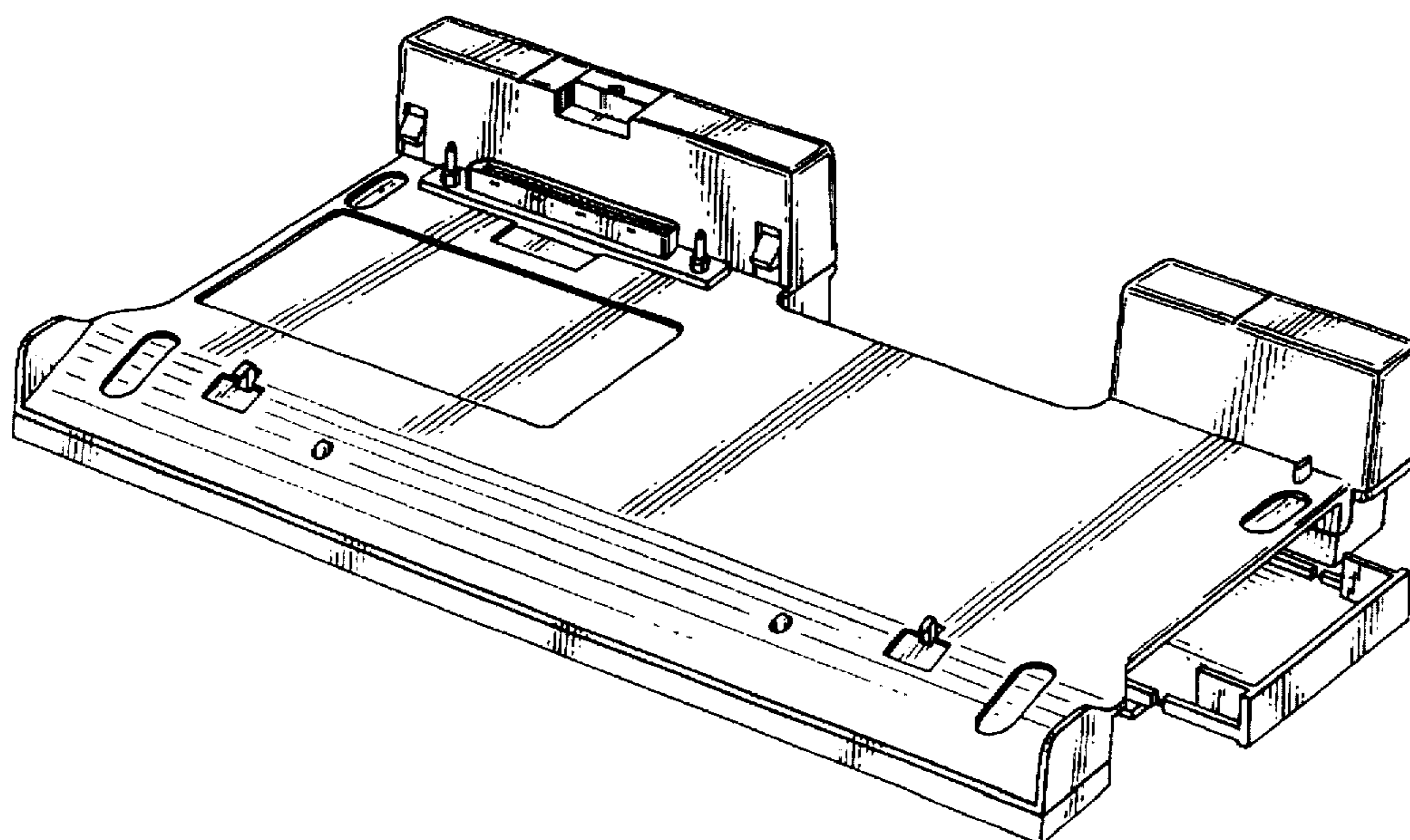


FIG. 9

