



US00D394244S

United States Patent [19]
Majumdar et al.

[11] **Patent Number: Des. 394,244**
[45] **Date of Patent: **May 12, 1998**

[54] **SEMICONDUCTOR DEVICE**

[75] **Inventors: Gorab Majumdar; Satoshi Mori; Sukehisa Noda; Tooru Iwagami; Yoshio Takagi; Hisashi Kawafuji, all of Tokyo, Japan**

[73] **Assignee: Mitsubishi Denki Kabushiki Kaisha, Tokyo, Japan**

[**] **Term: 14 Years**

[21] **Appl. No.: 55,963**

[22] **Filed: May 24, 1996**

[30] **Foreign Application Priority Data**

Nov. 27, 1995 [JP] Japan 7-35815

[51] **LOC (6) Cl. 13-03**

[52] **U.S. Cl. D13/182**

[58] **Field of Search D13/182; 174/16.3, 174/52.2, 52.4; 257/670, 676, 686, 688, 690-692, 696, 703, 787; 437/217**

[56] **References Cited**

U.S. PATENT DOCUMENTS

D. 288,922	3/1987	Olla	D13/182
D. 357,901	5/1995	Horman	D13/182
3,762,039	10/1973	Douglass et al.	437/217
4,012,766	3/1977	Phillips et al.	257/670
5,095,360	3/1992	Kizaki et al.	257/703

FOREIGN PATENT DOCUMENTS

5-15449 2/1993 Japan .
7-250485 9/1995 Japan .

OTHER PUBLICATIONS

Toshiba GTR module 1989, p. 26.
Mitsubishi semiconductor, 1985 M53200P Series, 1-27.
U.S. application No. 29/055,038, filed May 28, 1996, pending.
U.S. application No. 29/055,963, filed May 24, 1996, pending.

Primary Examiner—James Gandy
Assistant Examiner—Cathron B. Matta
Attorney, Agent, or Firm—Oblon, Spivak, McClelland, Maier & Neustadt, P.C.

[57] **CLAIM**

The ornamental design for a semiconductor device, as shown and described.

DESCRIPTION

FIG. 1 is a top, front and right side perspective view of semiconductor device showing our new design;
FIG. 2 is a front elevational view thereof;
FIG. 3 is a top plan view thereof;
FIG. 4 is a bottom plan view thereof;
FIG. 5 is a rear elevational view thereof; and,
FIG. 6 is a right side view thereof, the left side view being a mirror image of the side shown.

1 Claim, 2 Drawing Sheets

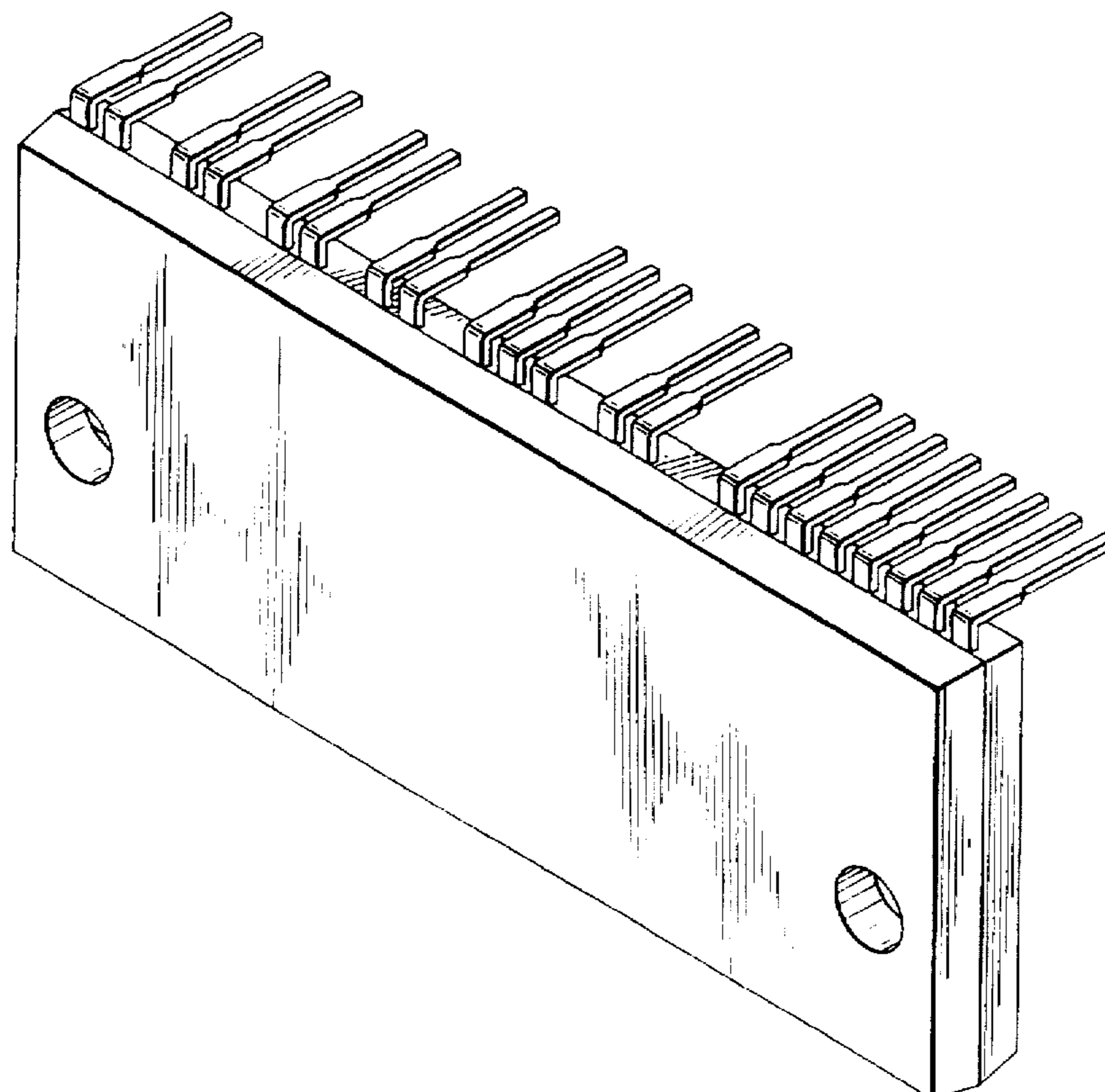


FIG. 1

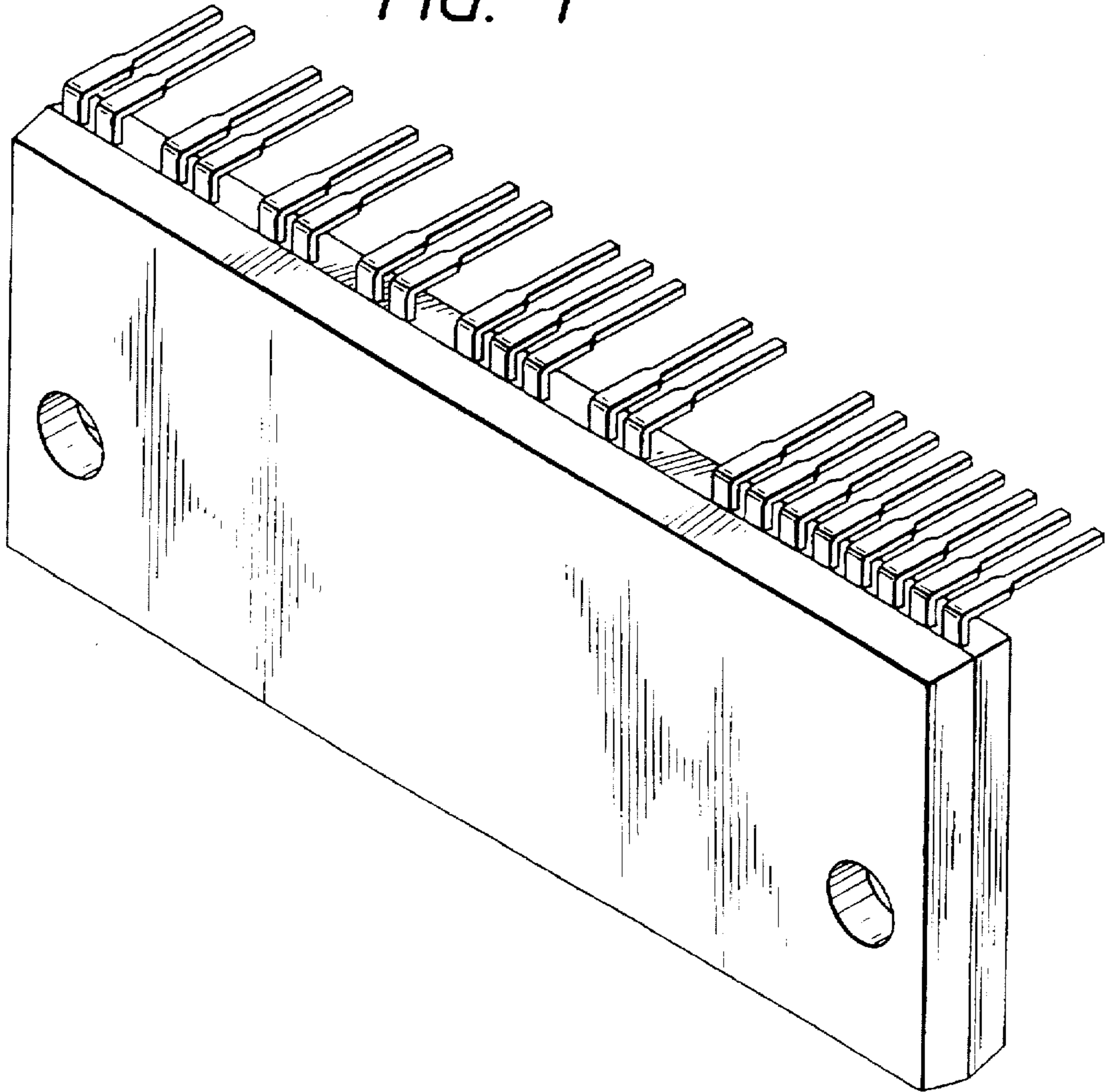


FIG. 2

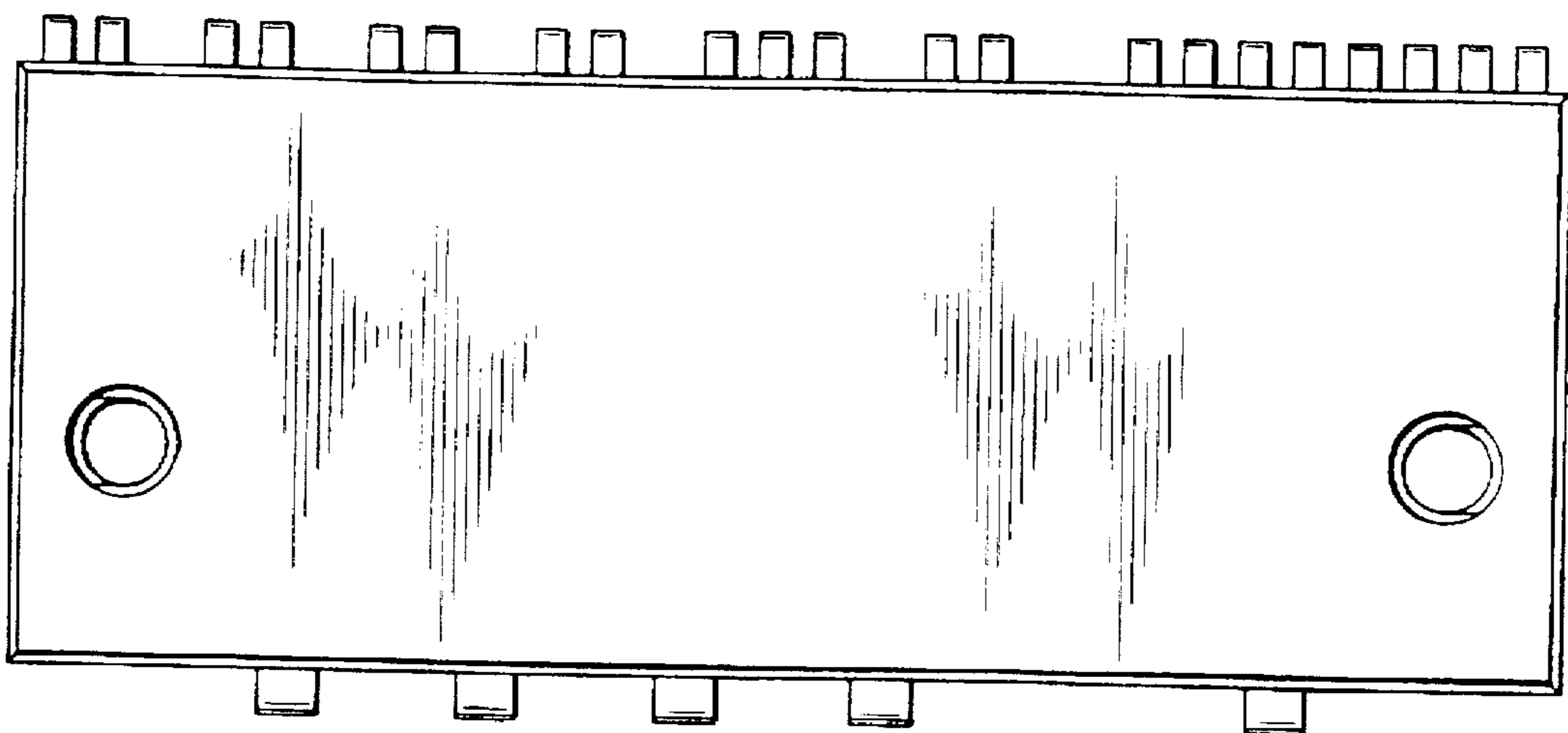


FIG. 3

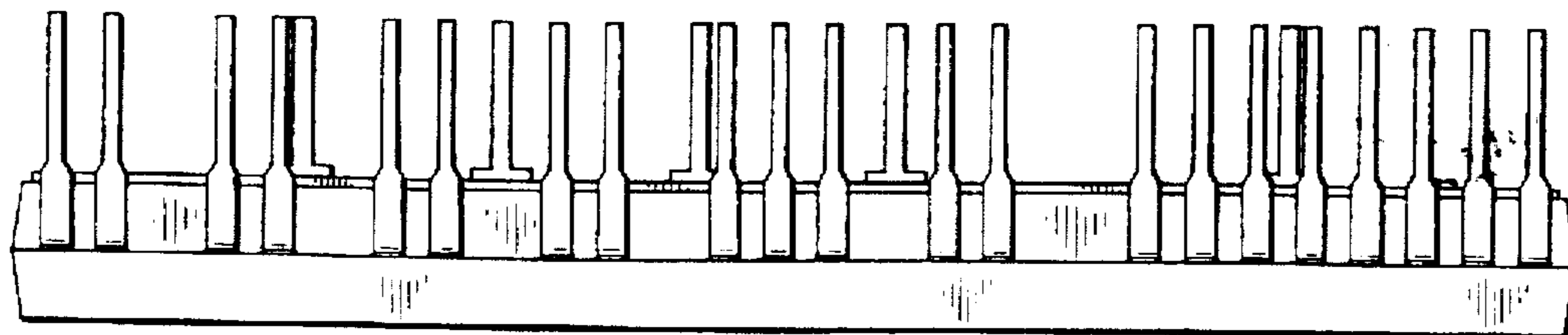


FIG. 4

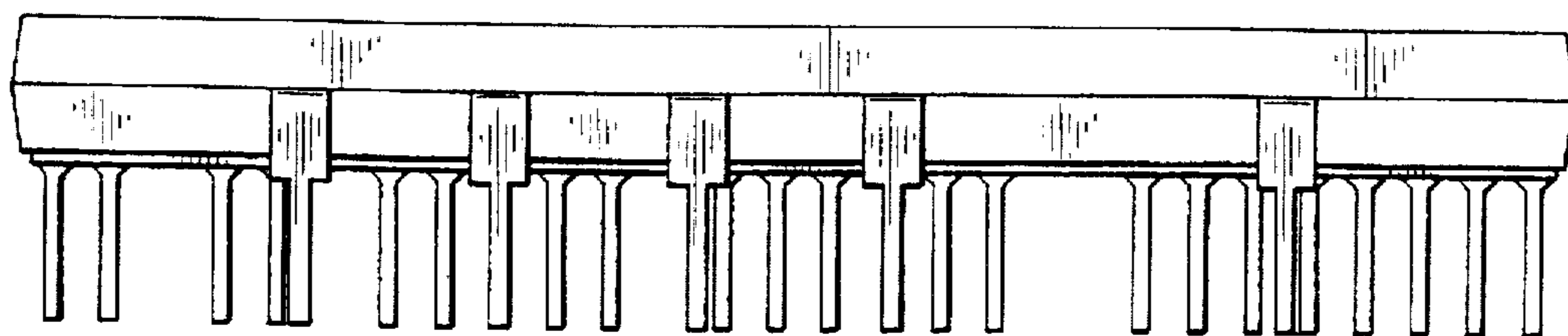


FIG. 5

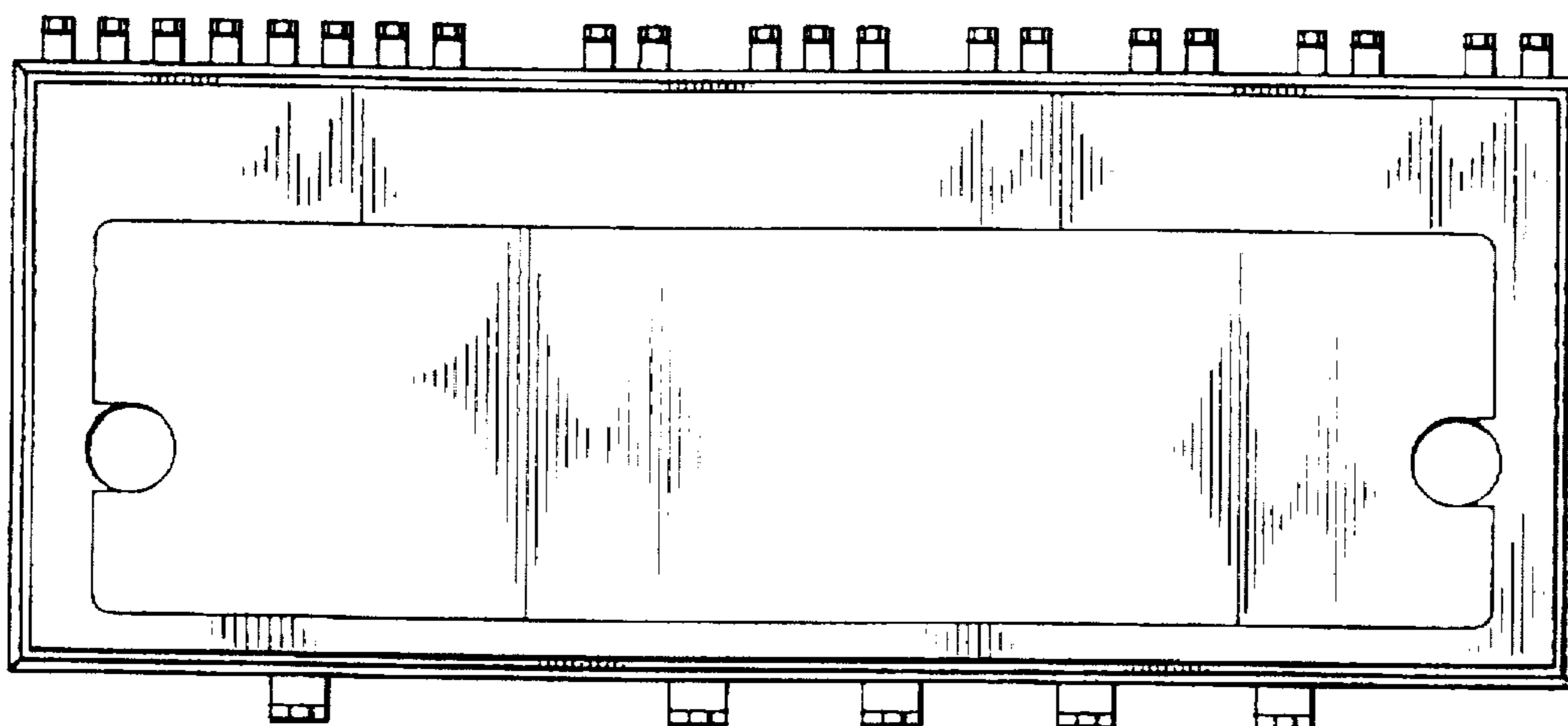


FIG. 6

