



US00D394243S

United States Patent [19] Siat

[11] Patent Number: **Des. 394,243**
[45] Date of Patent: ****May 12, 1998**

[54] **FUSE SWITCH WITH HANDLE**

[75] Inventor: **Benoit Siat**, Benfeld, France

[73] Assignee: **Socomec (societe Anonyme)**, Benfeld, France

[**] Term: **14 Years**

[21] Appl. No.: **49,475**

[22] Filed: **Jan. 26, 1996**

[30] **Foreign Application Priority Data**

Jul. 28, 1995 [FR] France 954245

[51] LOC (6) Cl. **13-03**

[52] U.S. Cl. **D13/158; D13/160**

[58] **Field of Search** D13/158-178, D13/184, 199; D9/300, 307, 308; 200/5 R, 43.11, 43.14, 43.19, 50.18, 329, 330, 332, 334, 336, 293; 335/8-10, 17, 202

[56] **References Cited**

U.S. PATENT DOCUMENTS

D. 320,385 10/1991 Owens et al. D13/160

D. 354,738 1/1995 Zimmermann et al. D13/158 X

3,081,390 3/1963 Lasar 200/43.11 X

3,171,908 3/1965 Malota 200/430.11 X

4,713,498 12/1987 Ludwig et al. 200/5 R

5,243,157 9/1993 Hoffman 200/43.11

OTHER PUBLICATIONS

NED. Advertisement for Cutler-Hammer Products, Handle Operator, p. 72, Jan. 1990.

Primary Examiner—James Gandy
Assistant Examiner—Cathorn B. Matta
Attorney, Agent, or Firm—Alfred M. Walker

[57] **CLAIM**

The ornamental design for a fuse switch with handle, as shown and described.

DESCRIPTION

FIG. 1 is a perspective view of a fuse switch with handle, showing my new design;

FIG. 2 is a top plan view thereof, shown at a reduced scale;

FIG. 3 is a left side elevational view thereof, shown at a reduced scale;

FIG. 4 is a front view thereof, shown at a reduced scale;

FIG. 5 is a right side elevational view thereof, shown at a reduced scale;

FIG. 6 is a rear view thereof, shown at a reduced scale; and

FIG. 7 is a bottom view thereof, shown at a reduced scale.

1 Claim, 3 Drawing Sheets

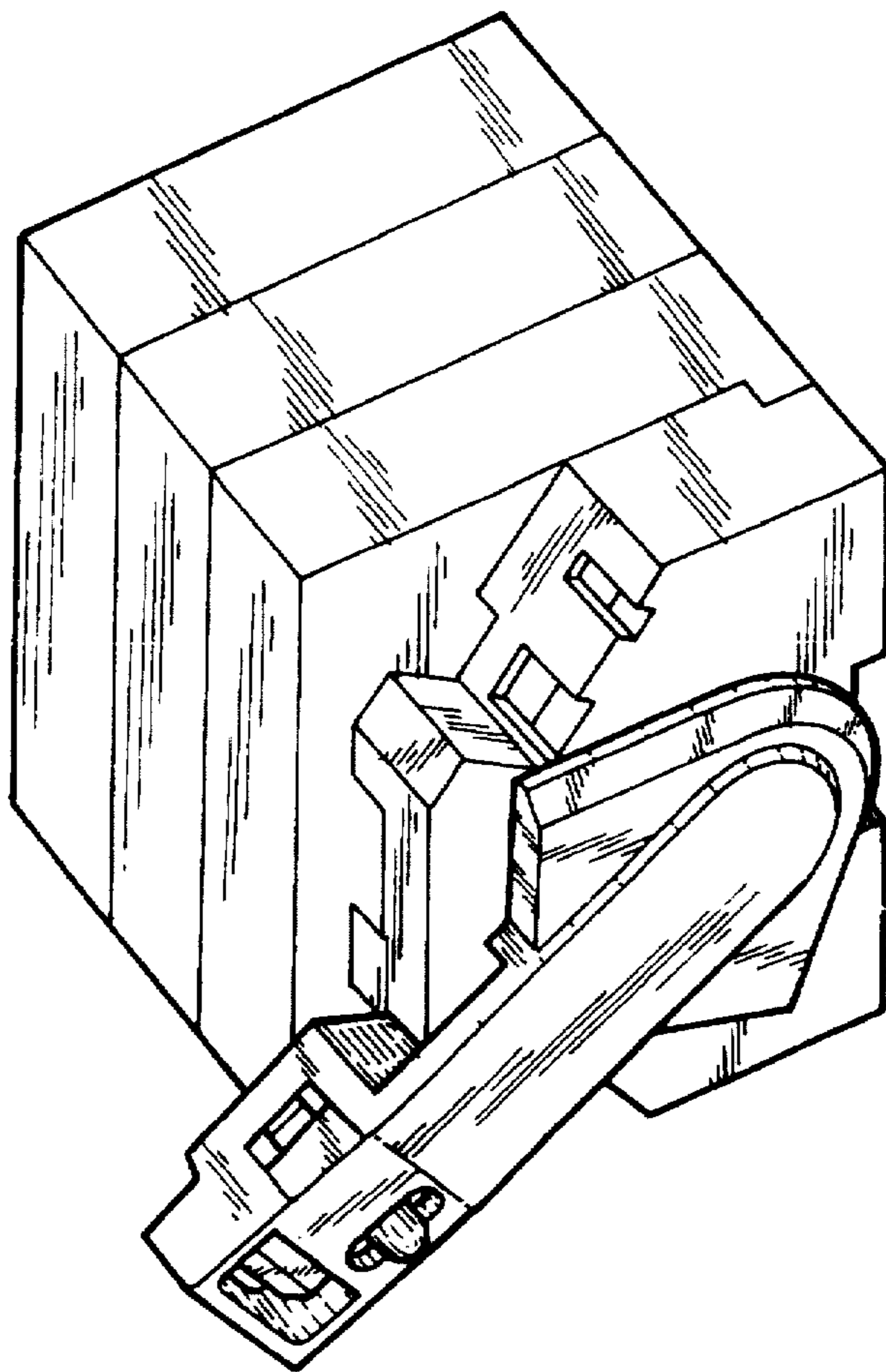


FIG. 1

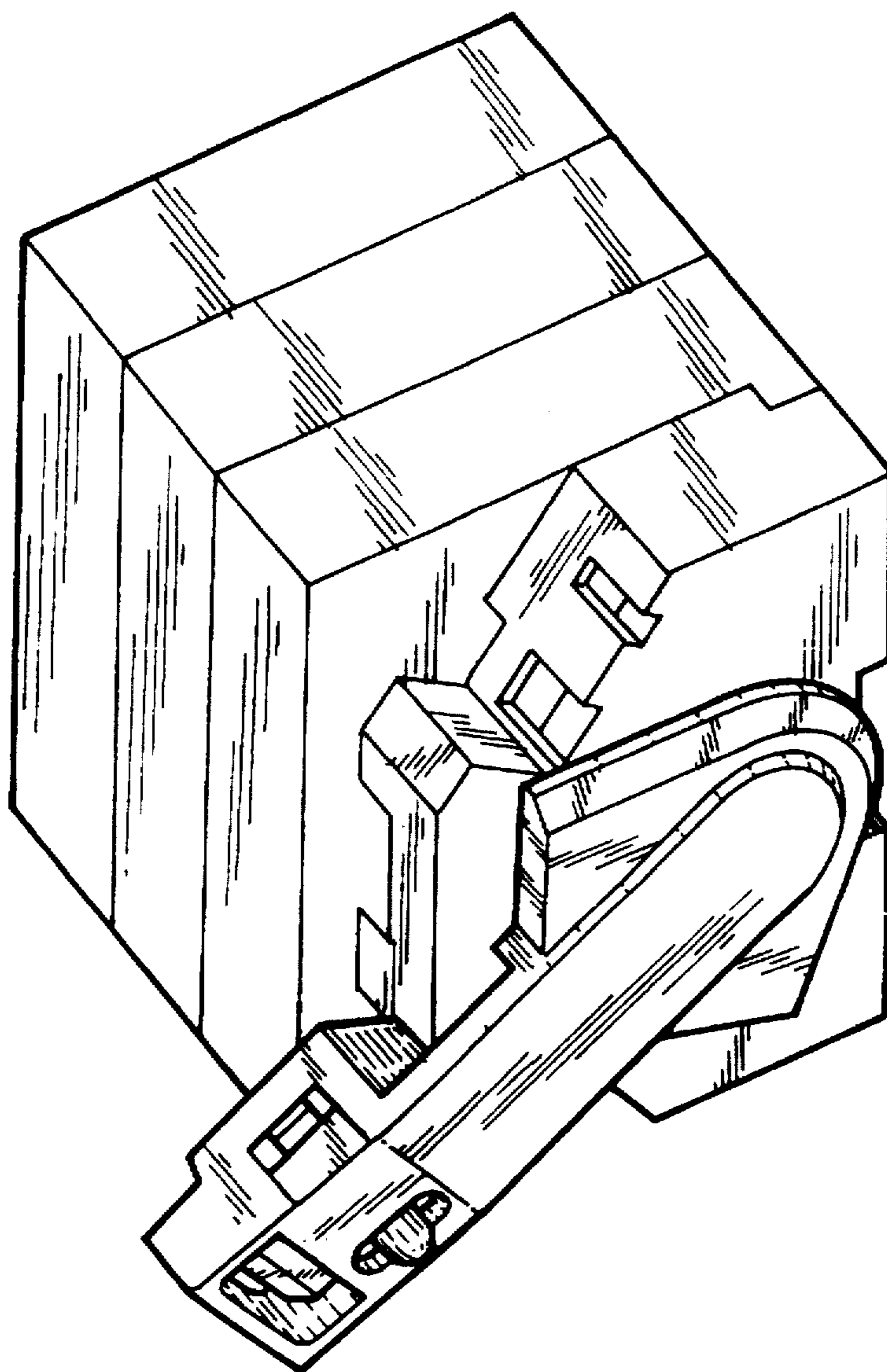


FIG. 2

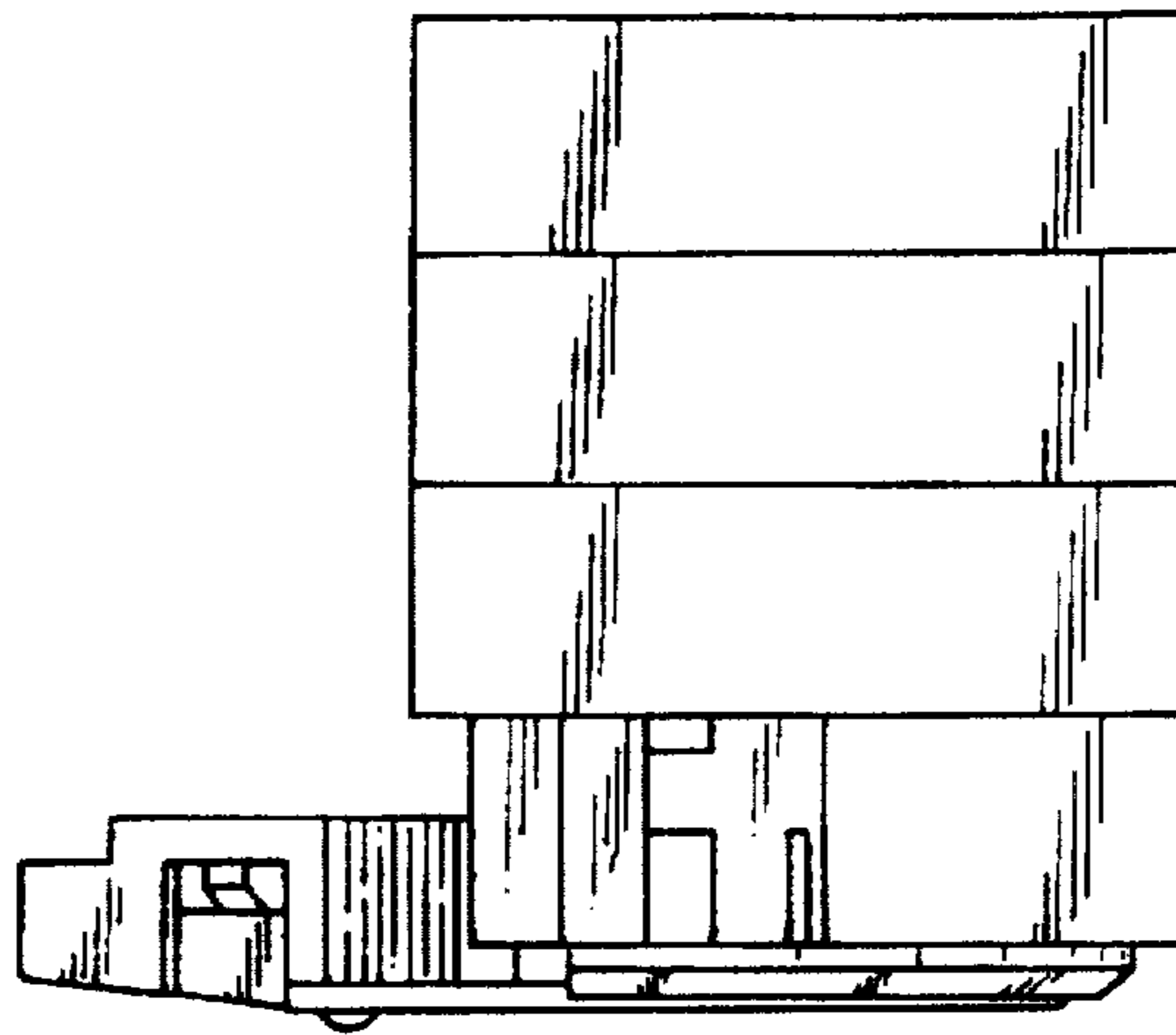


FIG. 3

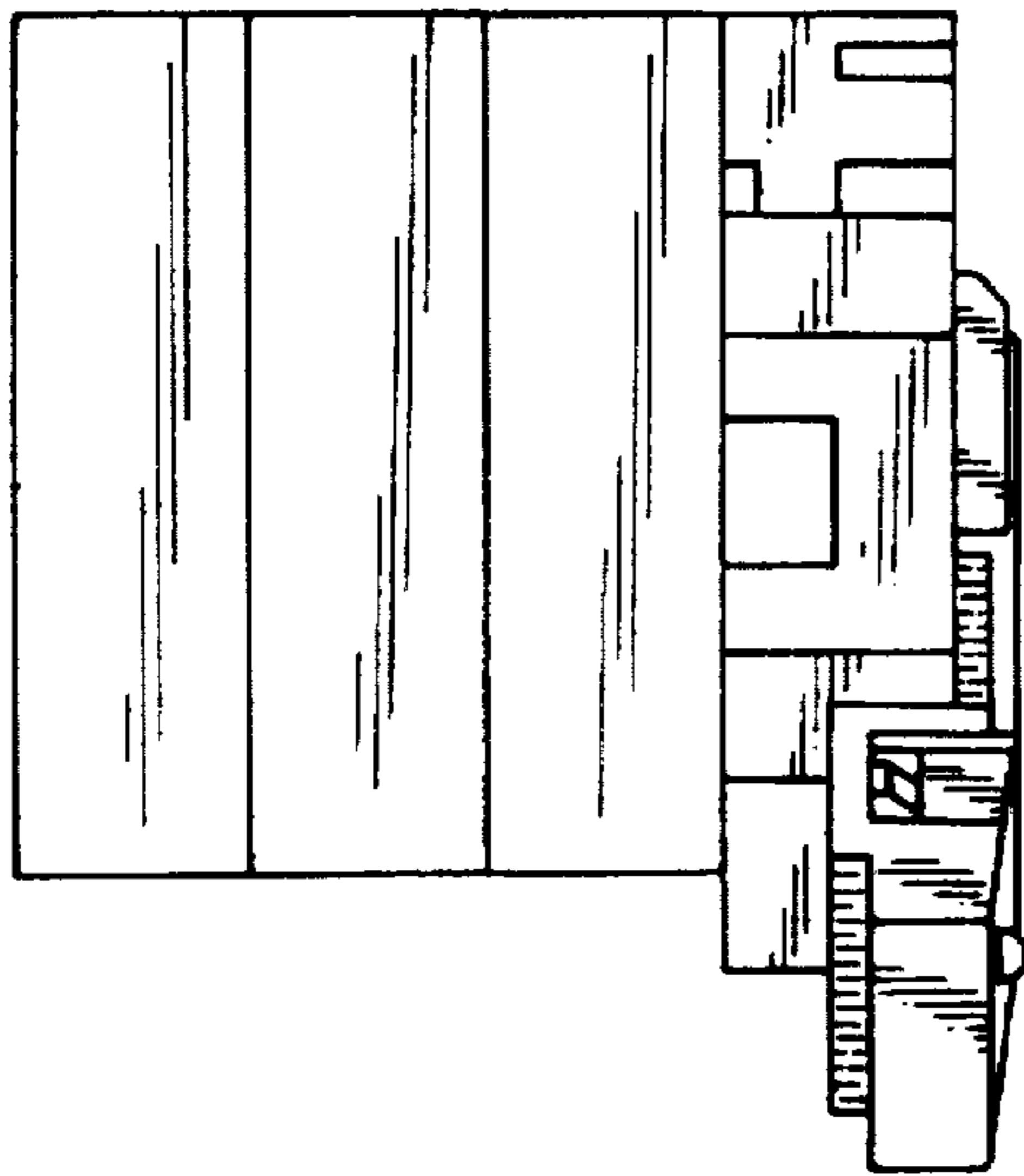


FIG. 4

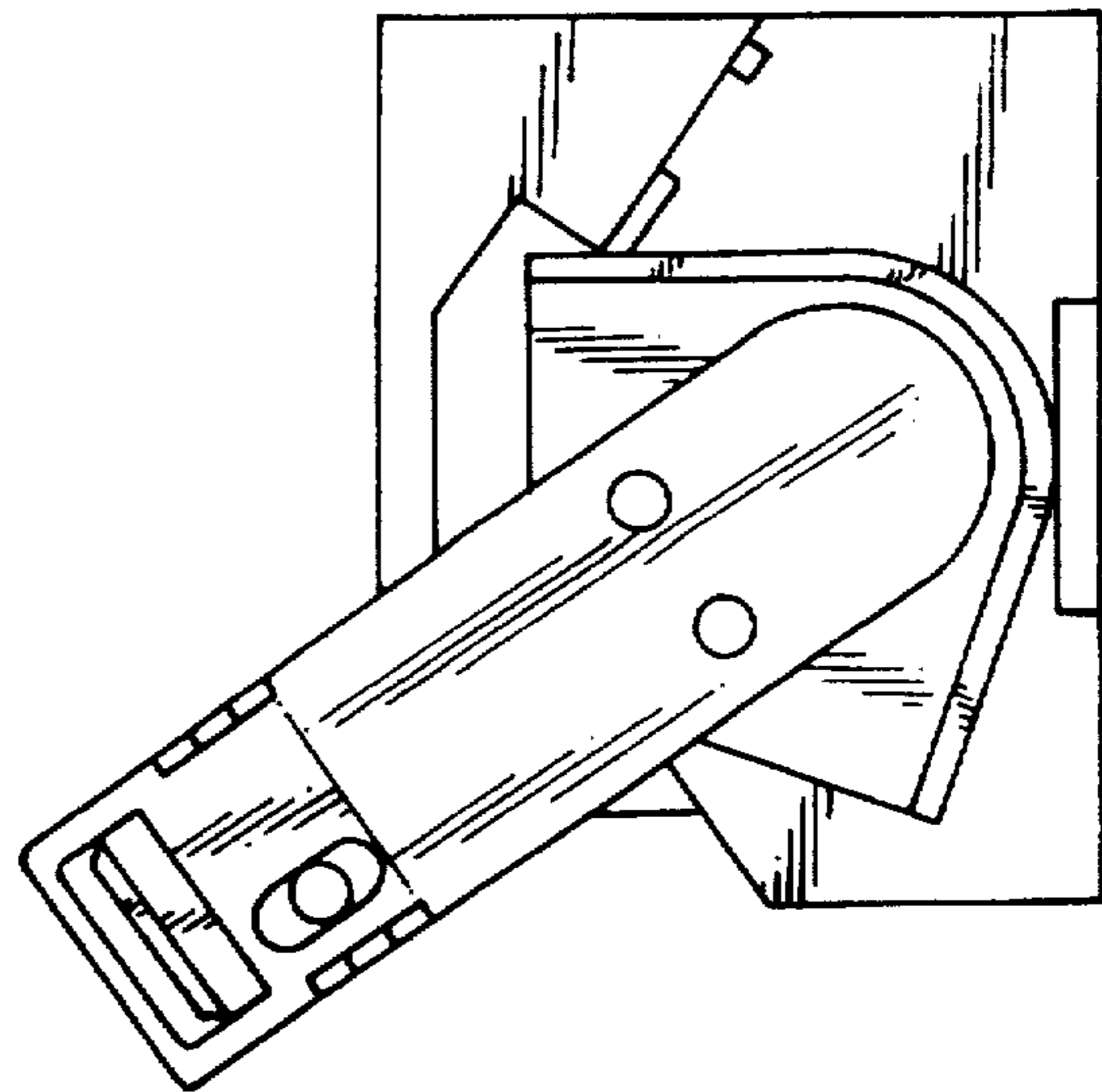


FIG. 5

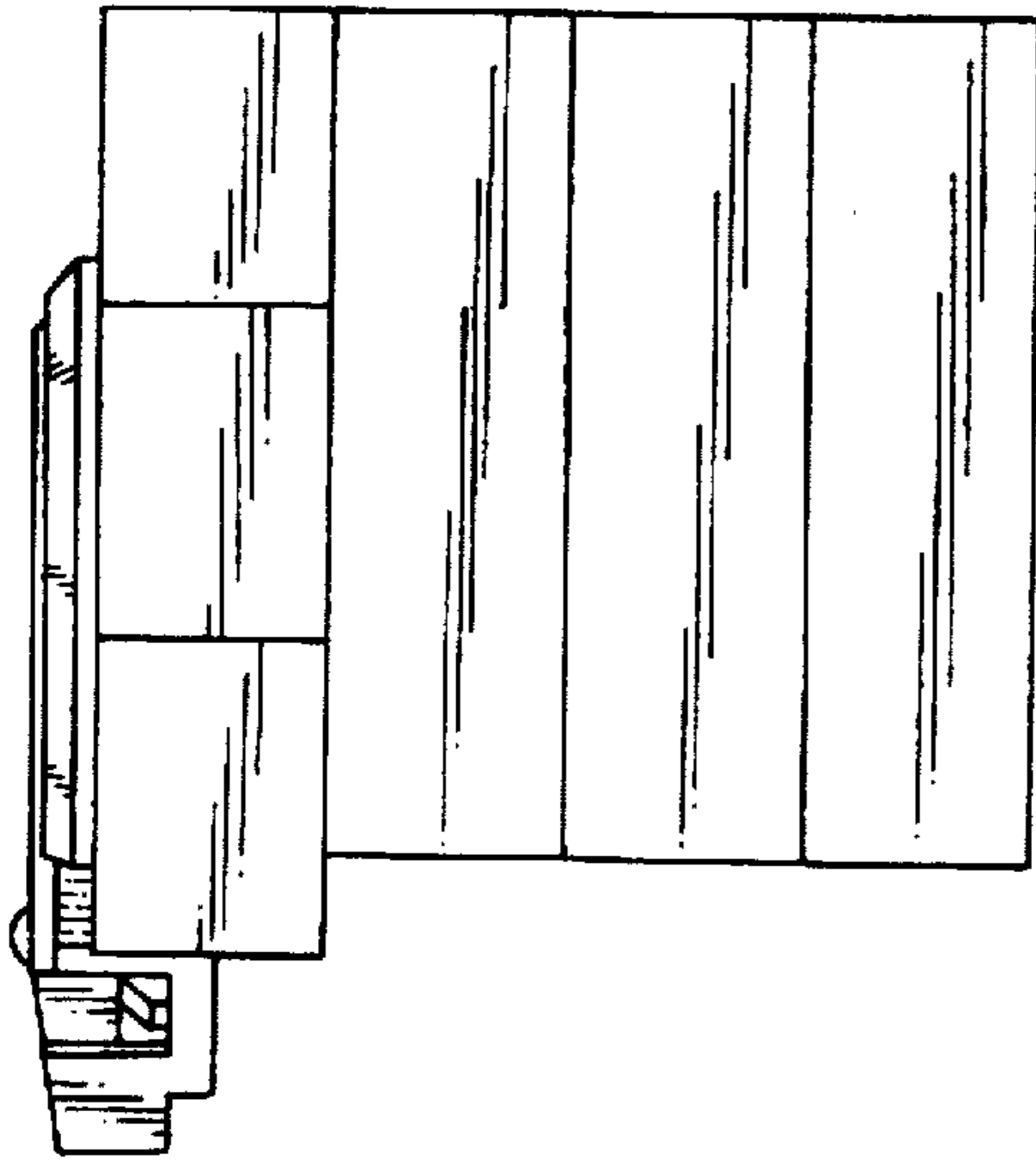


FIG. 6

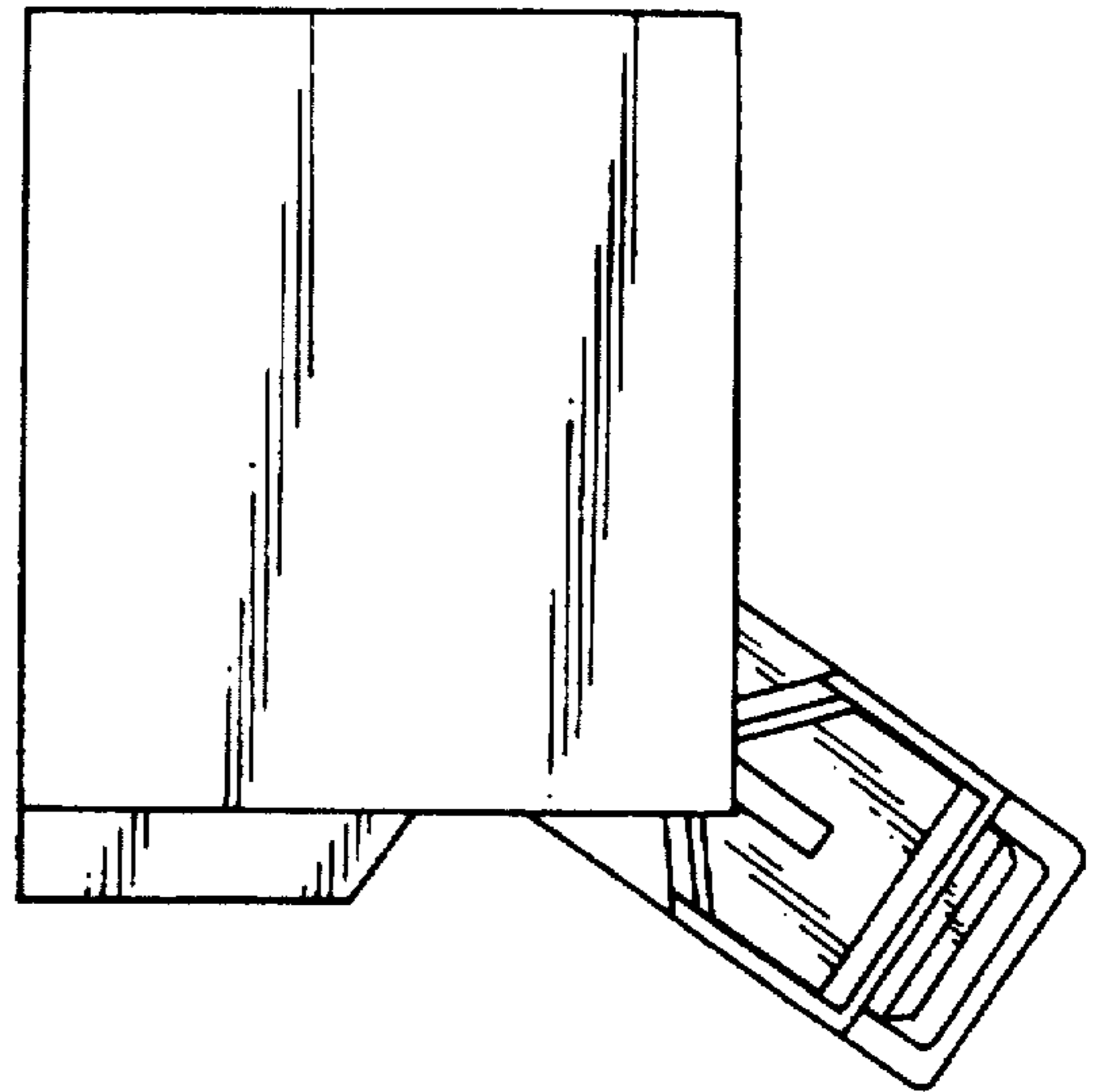


FIG. 7

