



US00D394242S

# United States Patent [19] Park

[11] Patent Number: Des. 394,242

[45] Date of Patent: \*\*May 12, 1998

[54] **ELECTRIC CONNECTOR**

[76] Inventor: **Chong Hwan Park**, 113-207, Sinsigaji Apt., Mok-dong, Yangcheon-ku, Rep. of Korea

[\*\*] Term: **14 Years**

[21] Appl. No.: **58,793**

[22] Filed: **Aug. 23, 1996**

[30] **Foreign Application Priority Data**

Mar. 14, 1996 [KR] Rep. of Korea ..... 96-4435

[51] LOC (6) Cl. .... **13-03**

[52] U.S. Cl. .... **D13/146**

[58] Field of Search ..... D13/133, 138, D13/141, 146, 147; 439/350, 569, 600, 606-610, 651, 660, 668, 685, 692, 676

[56] **References Cited**

**U.S. PATENT DOCUMENTS**

D. 286,397 10/1986 Challans ..... D13/133

D. 340,028 10/1993 Takizawa ..... D13/133  
D. 350,955 9/1994 Pucci et al. .... D13/146  
4,449,776 5/1984 Carmo et al. .... 439/350

*Primary Examiner*—Alan P. Douglas  
*Assistant Examiner*—Lavone D. Tabor  
*Attorney, Agent, or Firm*—Brinks Hofer Gilson & Lione

[57] **CLAIM**

The ornamental design for an electric connector, as shown and described.

**DESCRIPTION**

FIG. 1 is a front elevational view of an electrical connector showing my new design;  
FIG. 2 is a rear elevational view thereof;  
FIG. 3 is an elevational view of one side thereof;  
FIG. 4 is an elevational view of the opposite side thereof;  
FIG. 5 is a top plan view thereof;  
FIG. 6 is a bottom plan view thereof; and  
FIG. 7 is a perspective view of the electrical connector showing my new design.

**1 Claim, 4 Drawing Sheets**

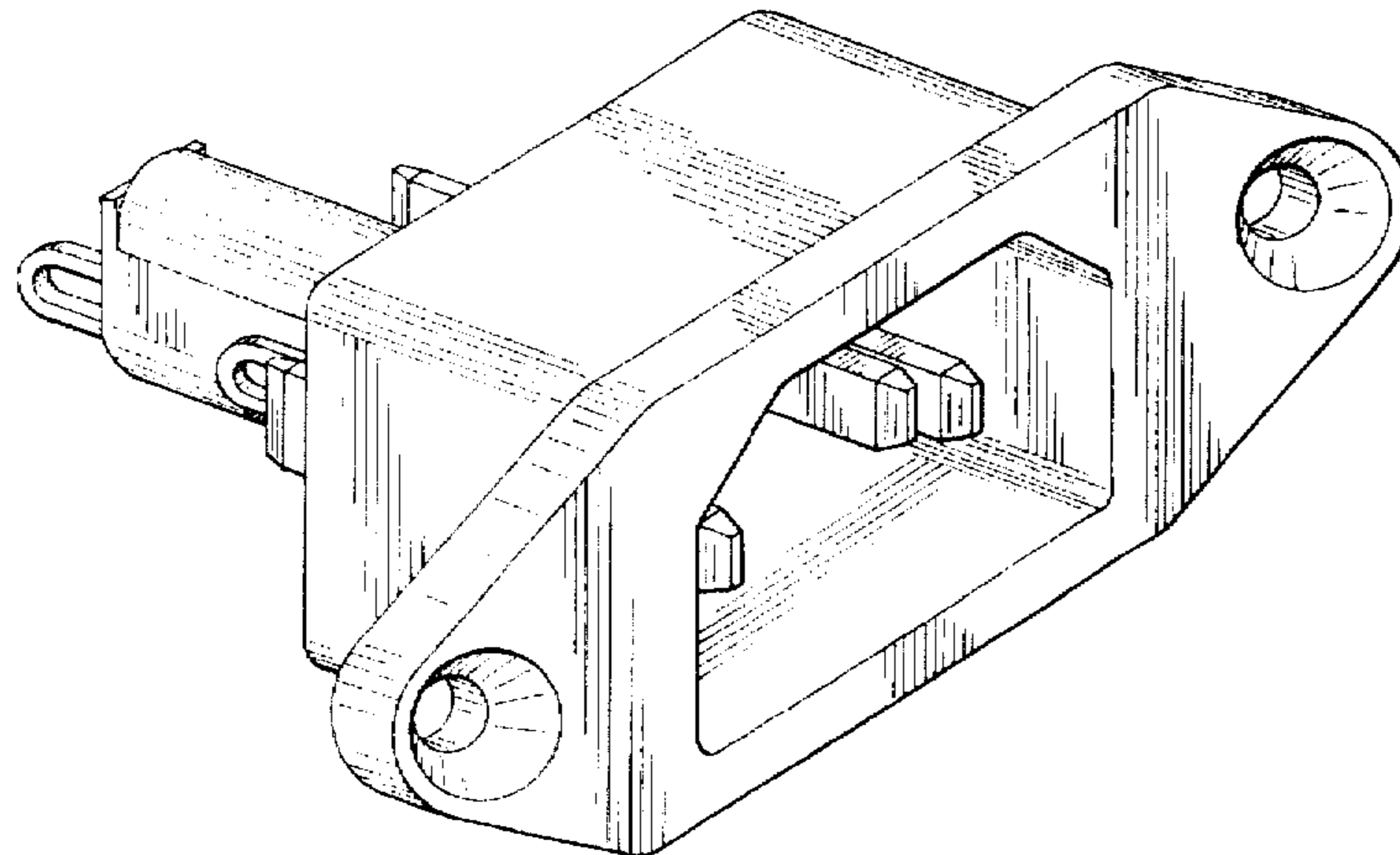
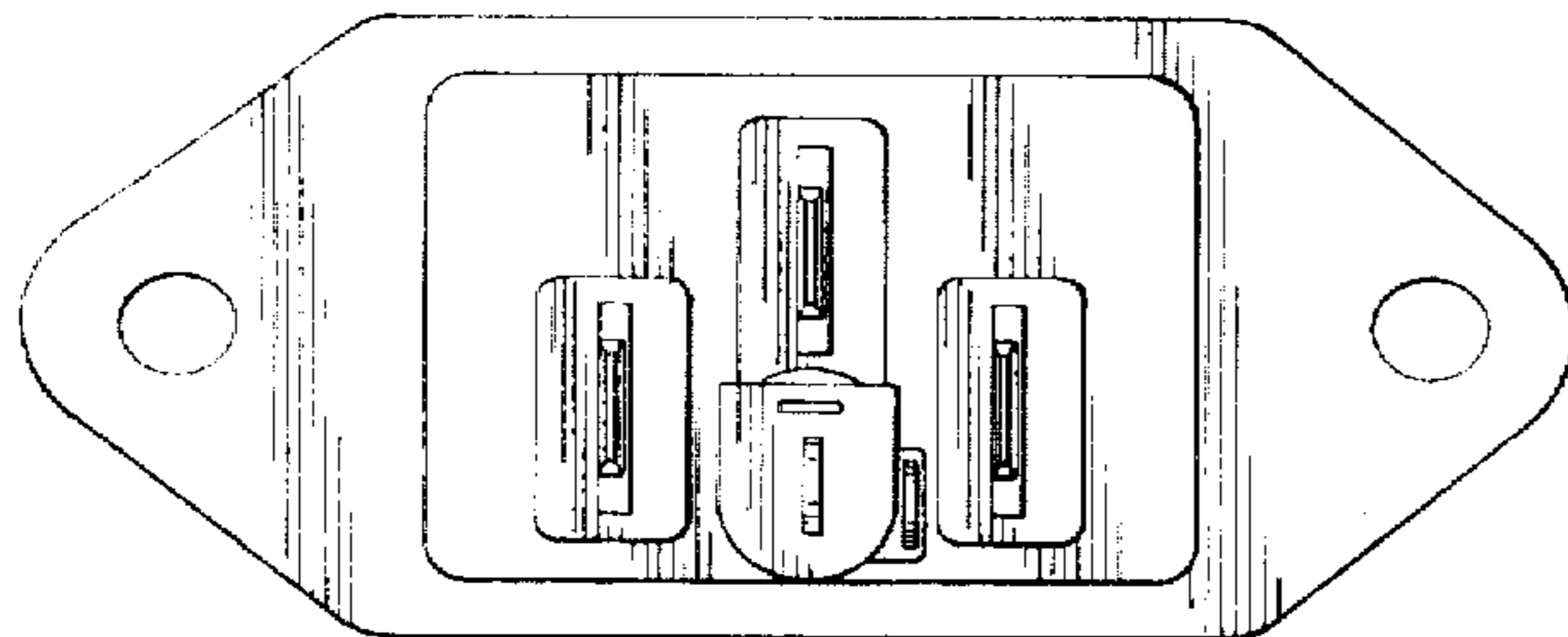
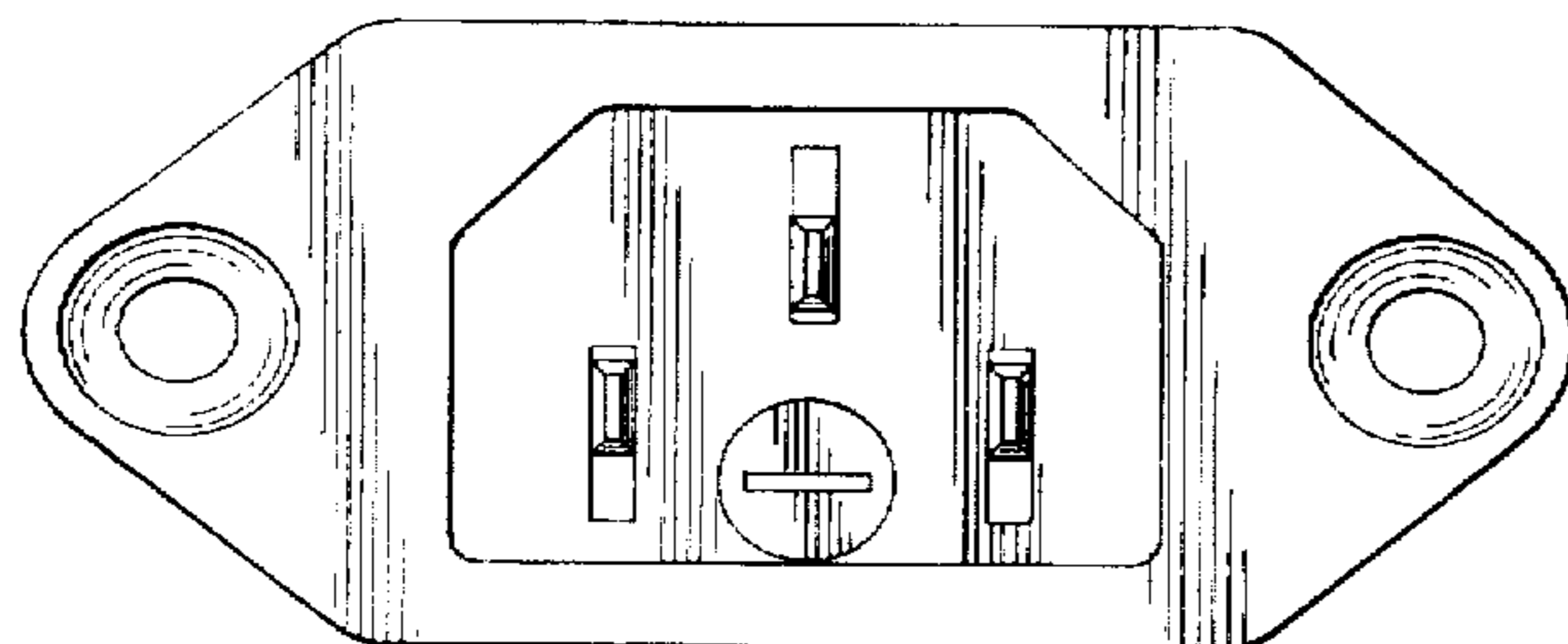


FIG. 1

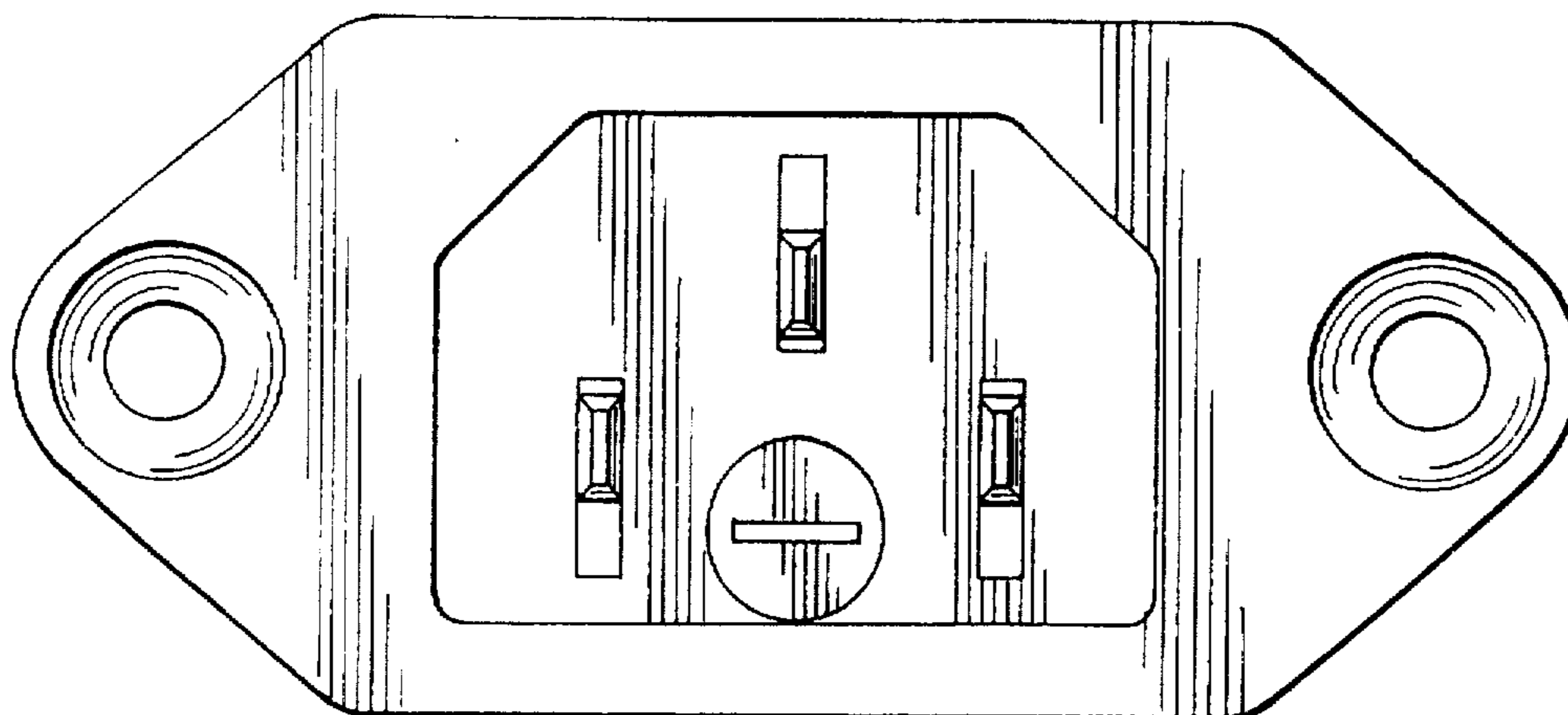


FIG. 2

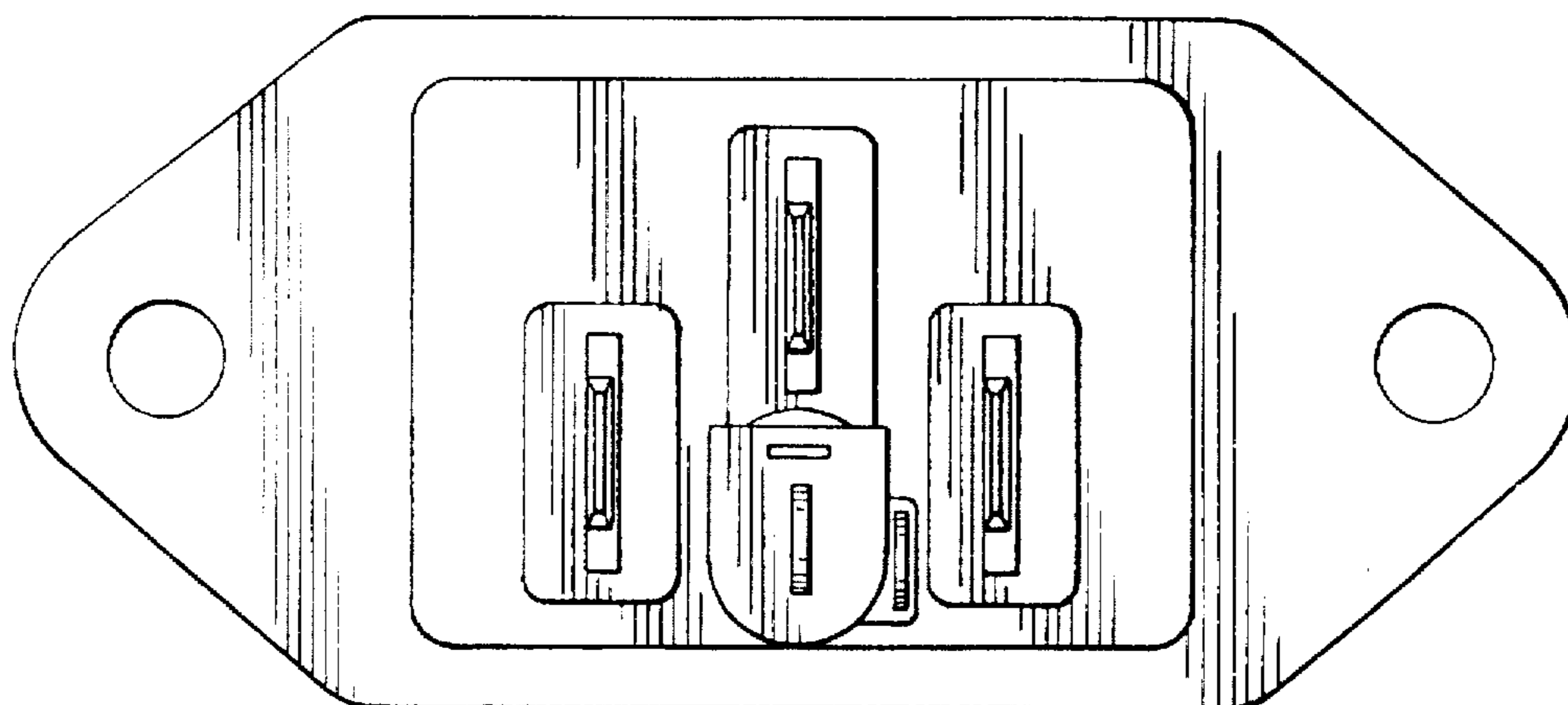


FIG. 3

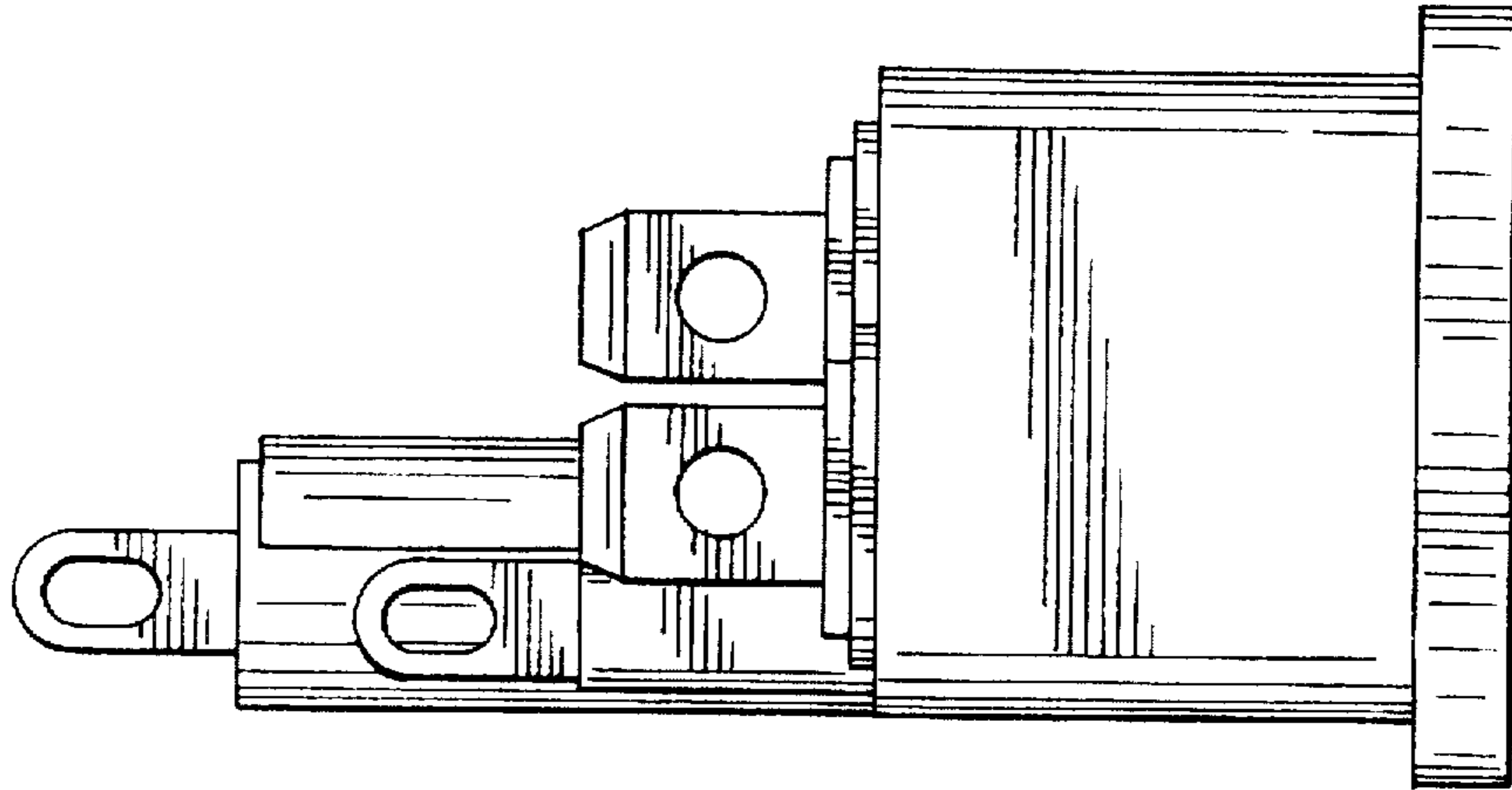


FIG. 4

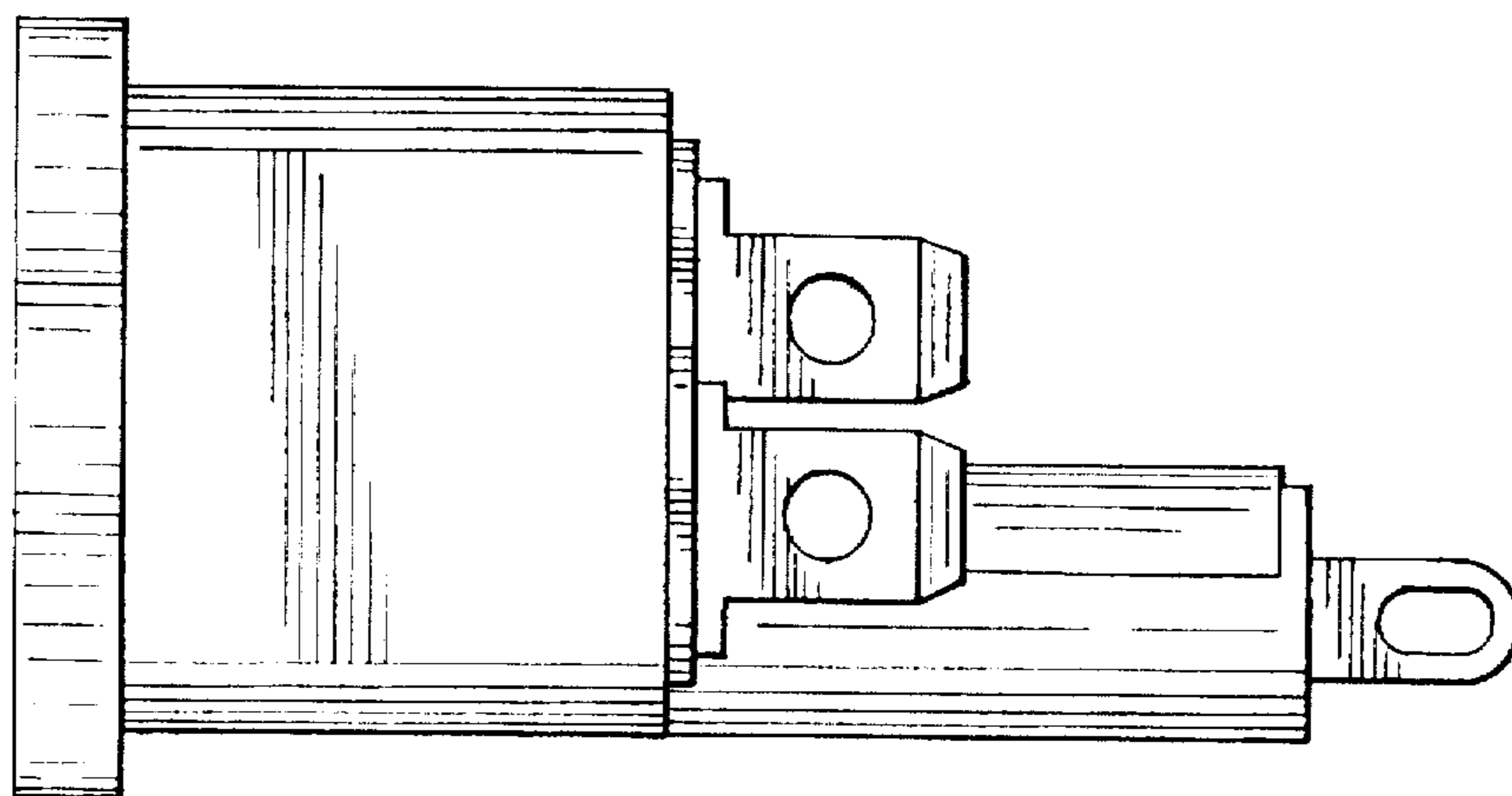


FIG.5

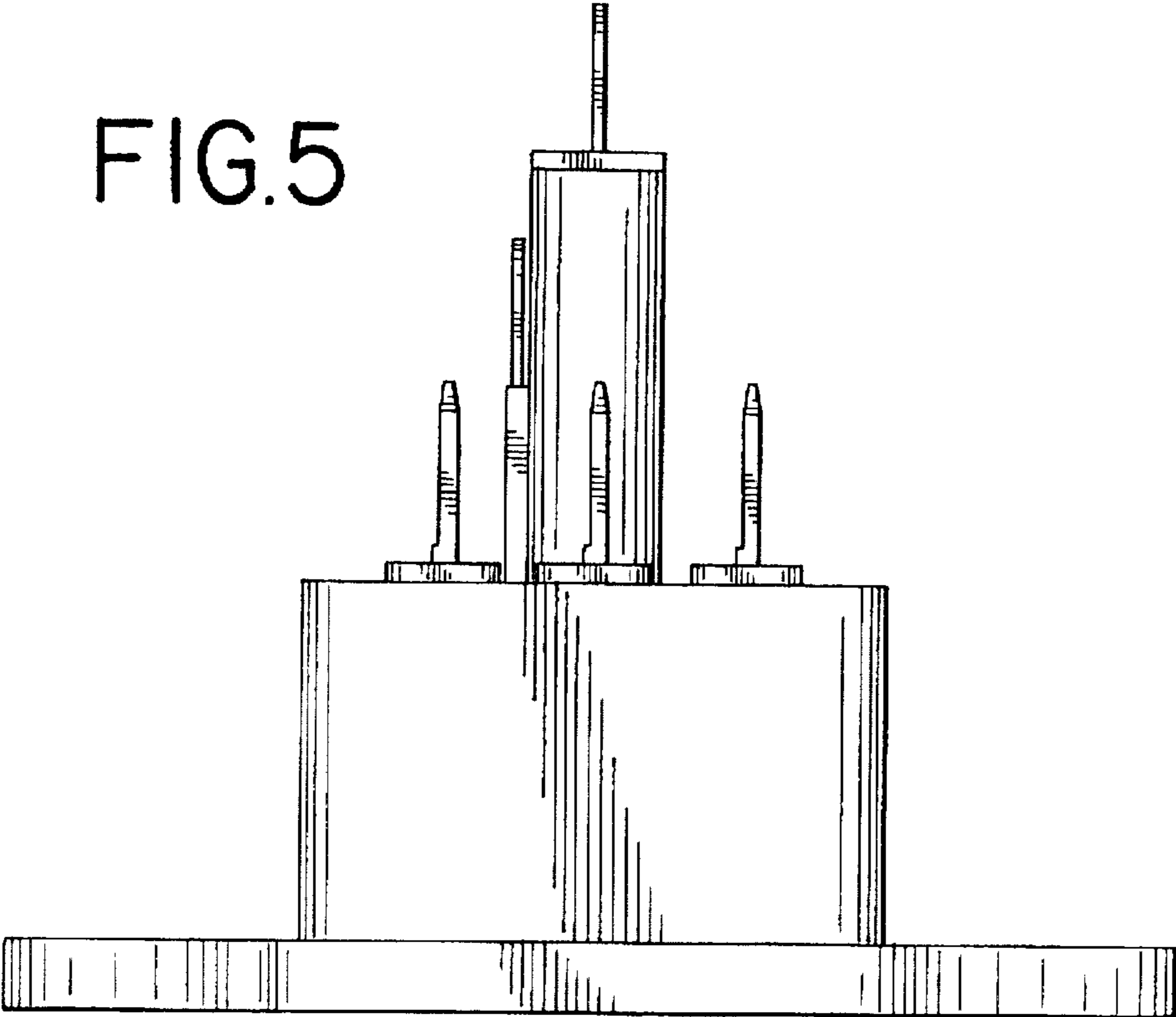
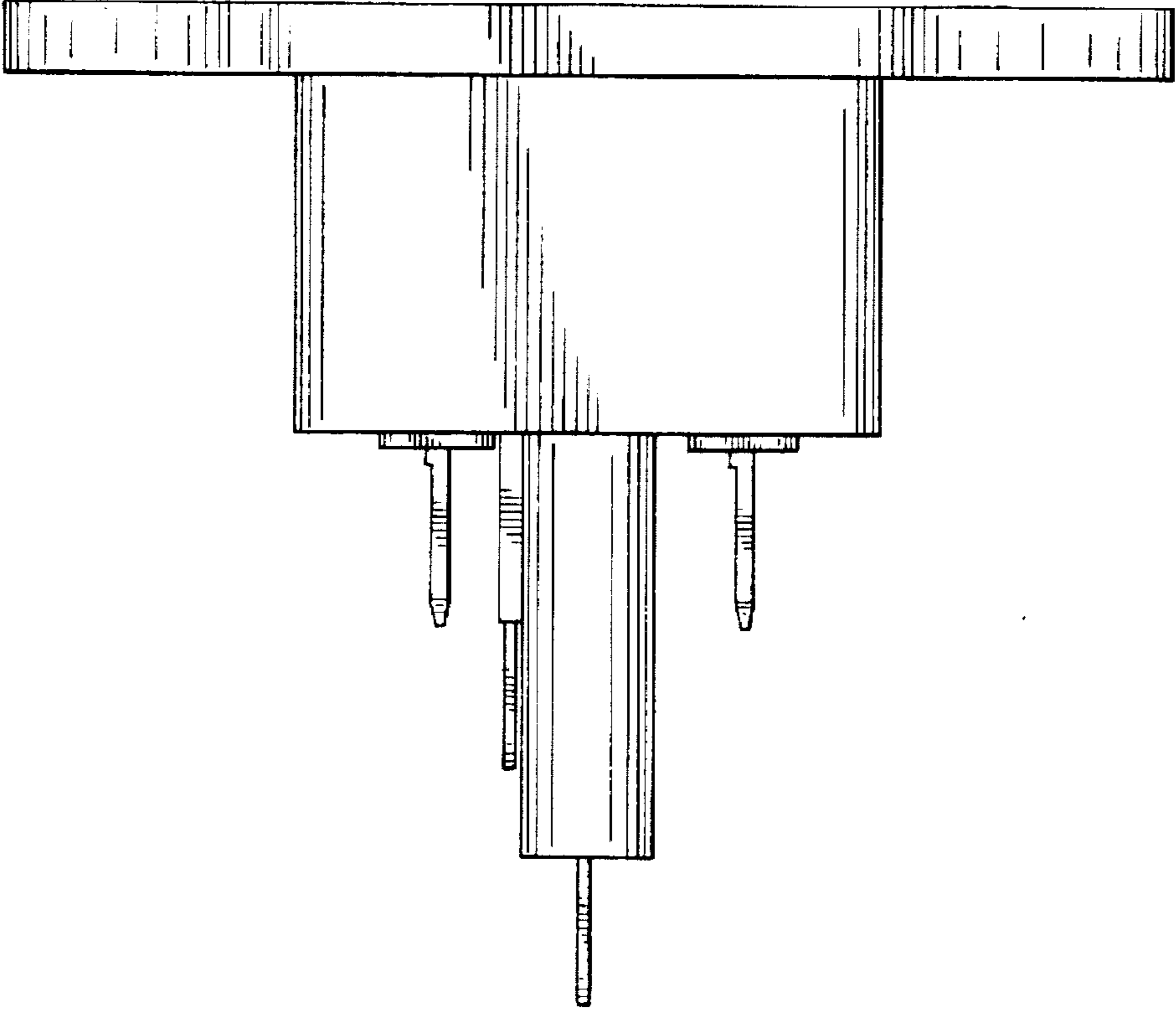


FIG.6



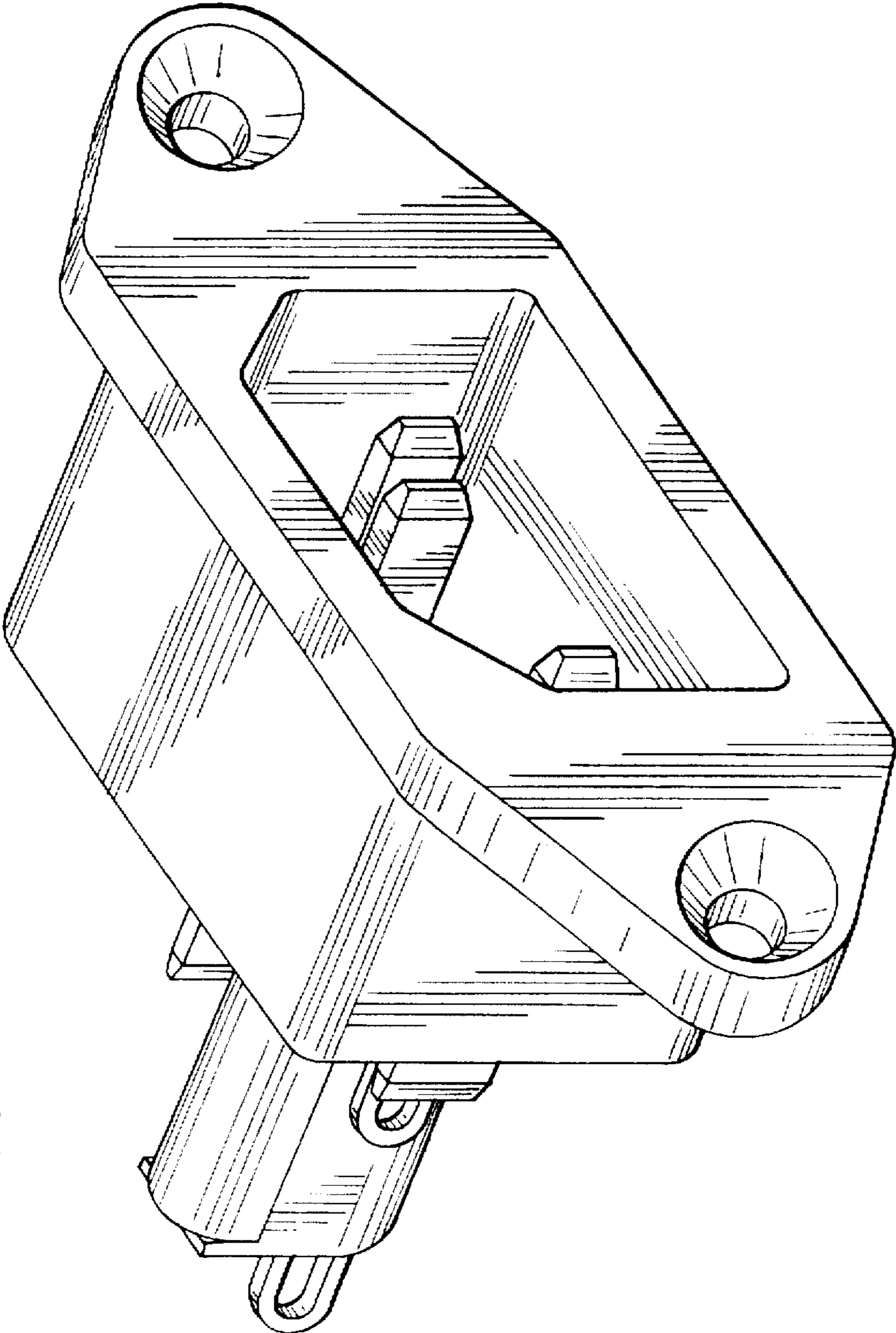


FIG. 7