



US00D394239S

**United States Patent** [19]  
**Lee**

[11] **Patent Number:** **Des. 394,239**

[45] **Date of Patent:** **\*\*May 12, 1998**

[54] **FISHING ANCHOR**

1,776,967	9/1930	Eckart	.....	43/44.96
2,980,050	4/1961	Murray	.....	114/298
4,785,758	11/1988	Eichelberger, Sr.	.....	114/299

[76] **Inventor:** **David Lee, R.R. #85, Tabor City, N.C. 28463**

[\*\*] **Term:** **14 Years**

*Primary Examiner*—Kay H. Chin  
*Attorney, Agent, or Firm*—Rhodes Coats & Bennett, L.L.P

[21] **Appl. No.:** **57,551**

[57] **CLAIM**

[22] **Filed:** **Jul. 26, 1996**

The ornamental design for fishing anchor, as shown and described.

[51] **LOC (6) Cl.** ..... **12-06**

[52] **U.S. Cl.** ..... **D12/215**

[58] **Field of Search** ..... D12/215; 114/294, 114/298, 300, 310; 52/23, 149, 157, 160, 161, 698, 155; 43/44.96

**DESCRIPTION**

FIG. 1 is a front perspective view of a fishing anchor showing my new design;

FIG. 2 is a side view thereof; and,

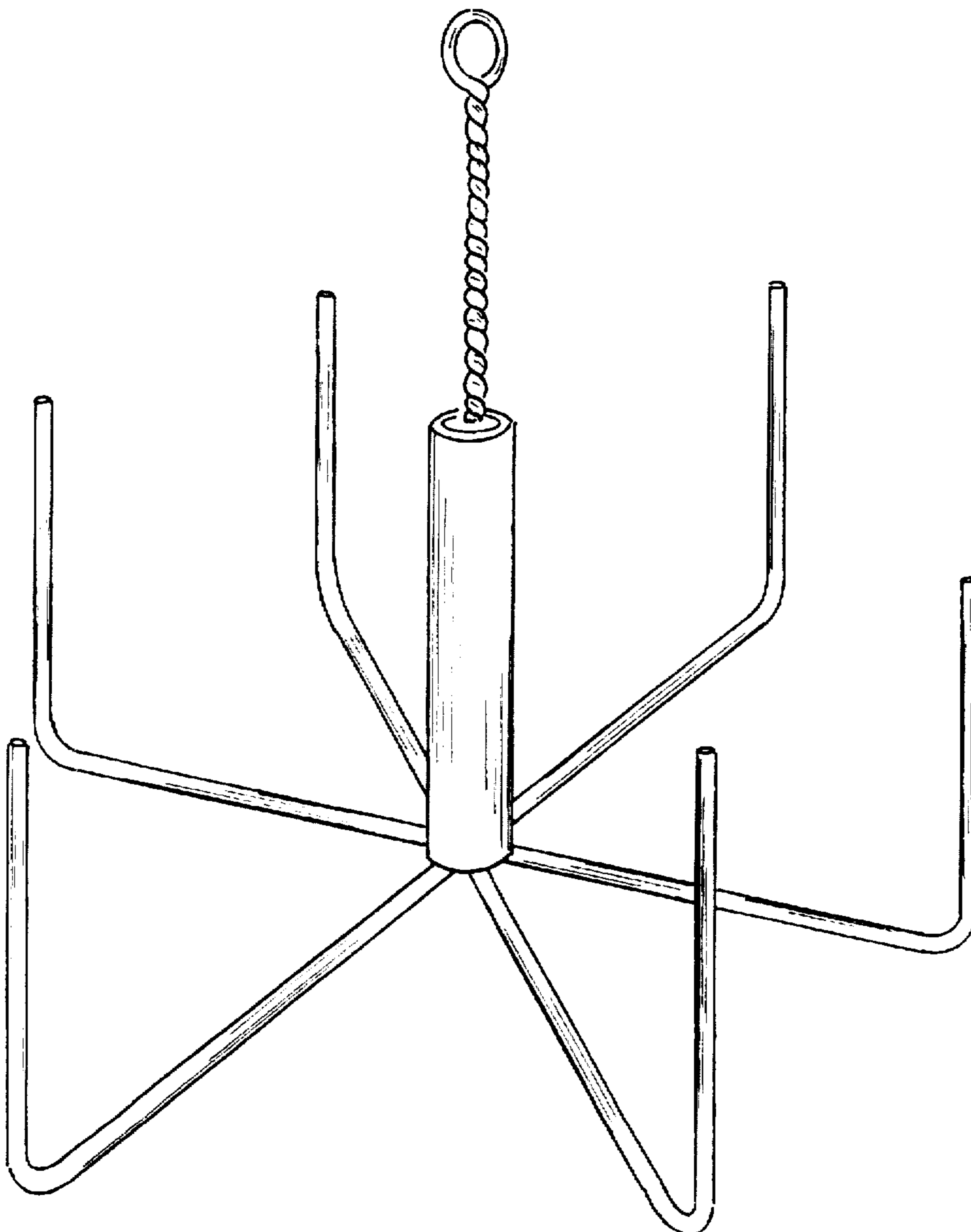
FIG. 3 is a top view.

[56] **References Cited**

**U.S. PATENT DOCUMENTS**

D. 223,551 5/1972 Persmger ..... D12/215

**1 Claim, 3 Drawing Sheets**



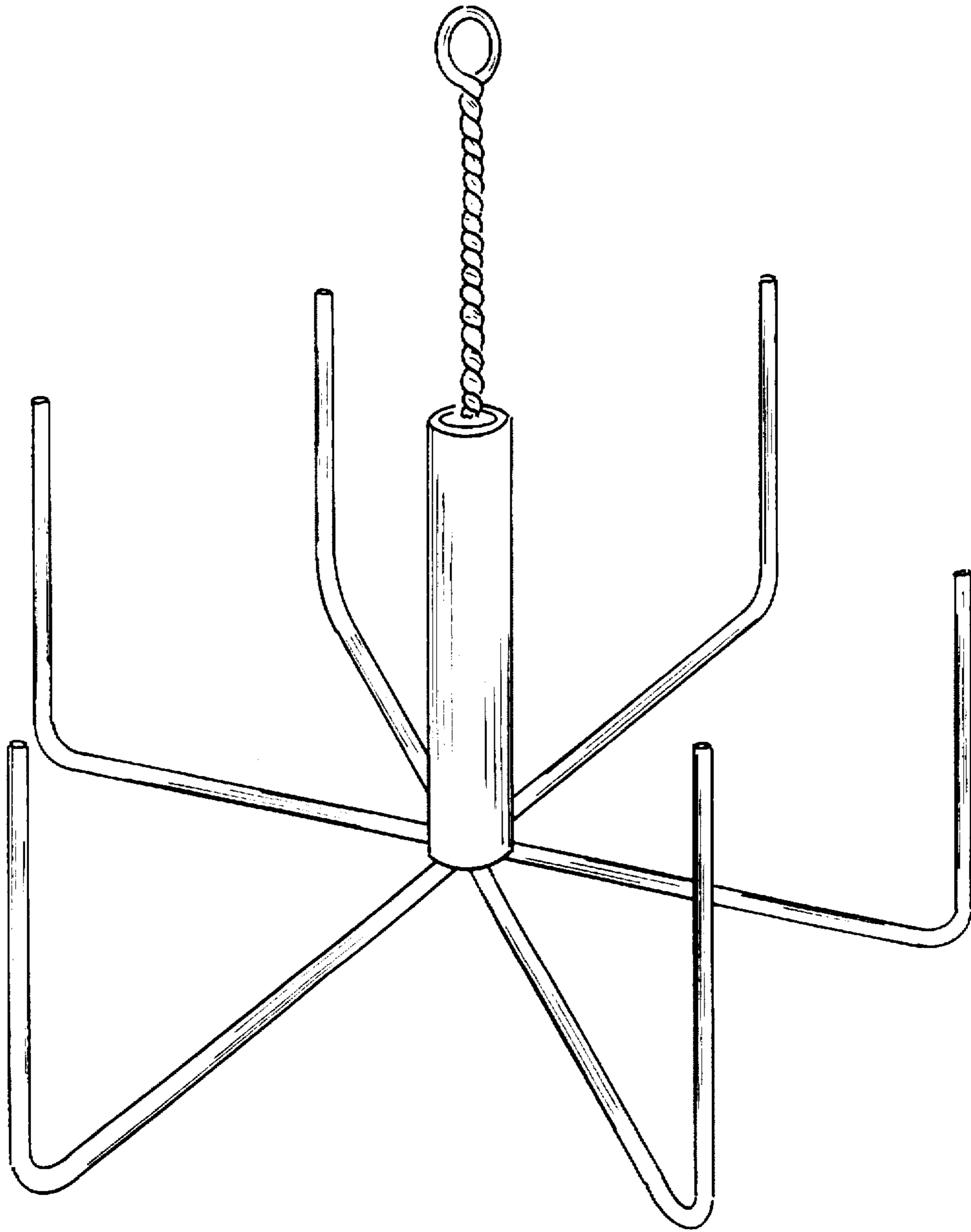


FIG. 1

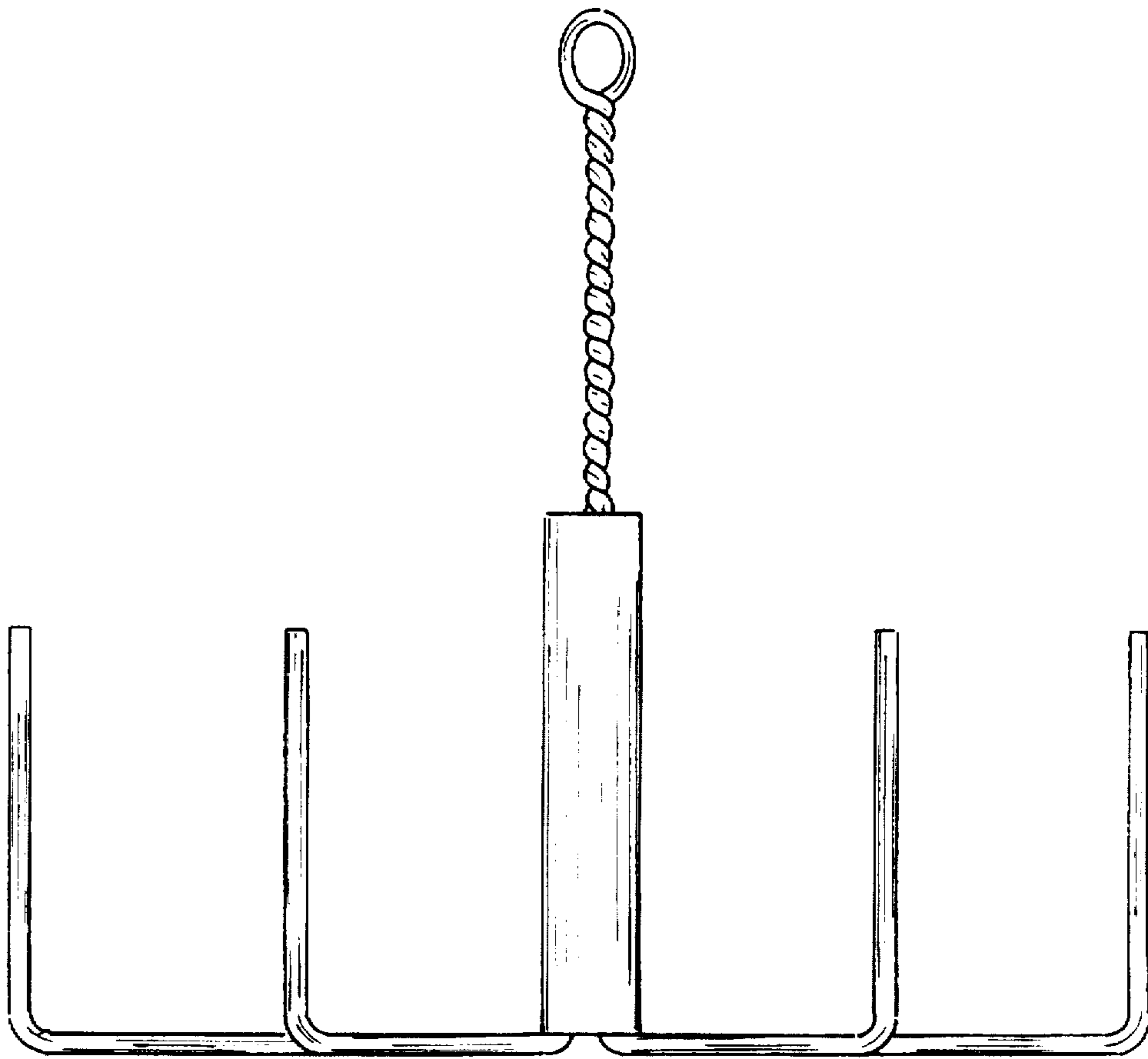


FIG. 2

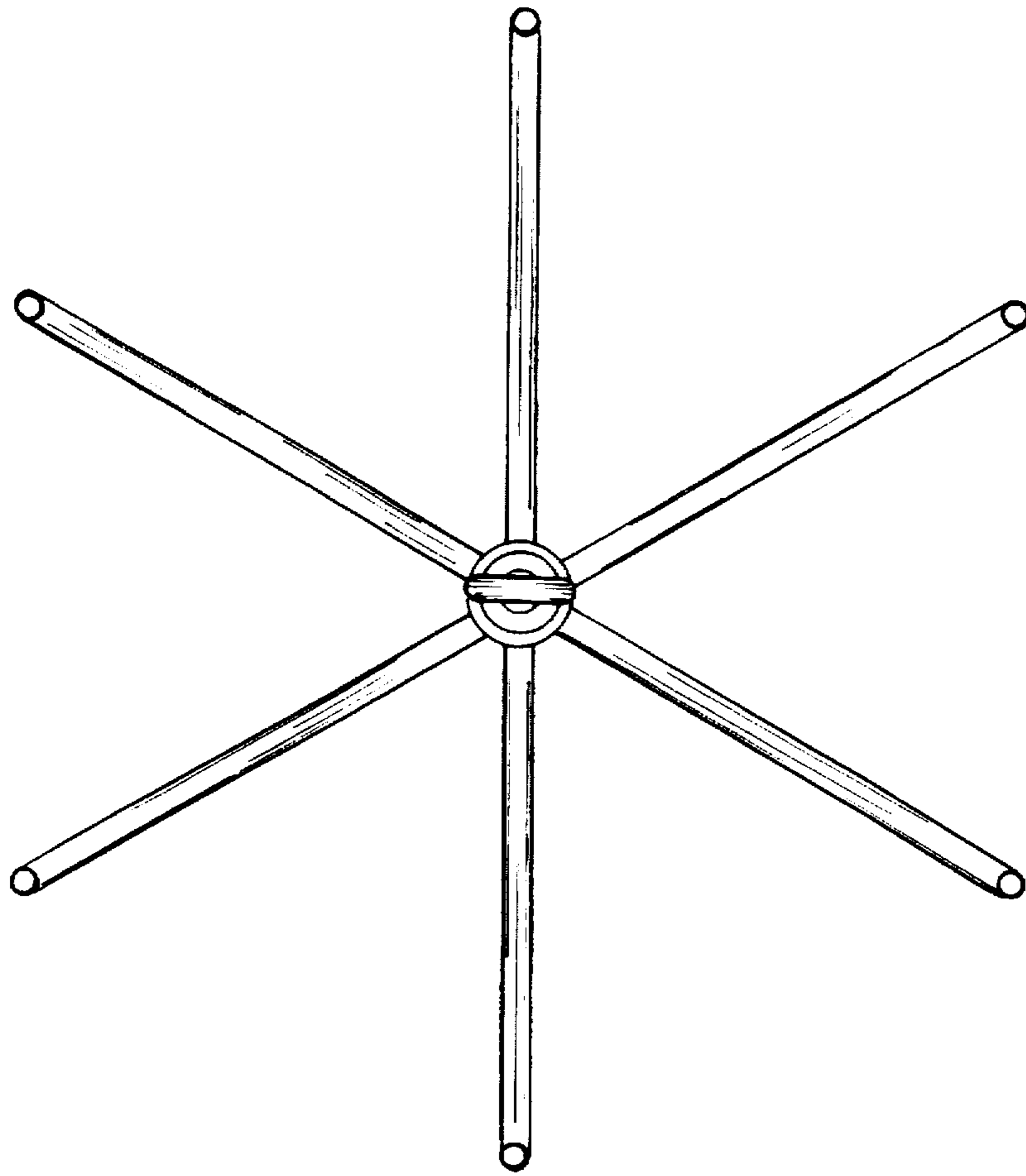


FIG.3