



US00D394236S

United States Patent [19] Verlengiere

[11] Patent Number: Des. 394,236
[45] Date of Patent: **May 12, 1998

[54] MUFFLER

[76] Inventor: Arthur R. Verlengiere, 2363-A
Thompson Way, Santa Maria, Calif.
93455

[**] Term: 14 Years

[21] Appl. No.: 55,216

[22] Filed: May 31, 1996

Related U.S. Application Data

[63] Continuation-in-part of Ser. No. 30,188, Oct. 24, 1994,
abandoned.

[51] LOC (6) Cl. 12-16

[52] U.S. Cl. D12/194

[58] Field of Search D12/194, 400;
D9/520; 60/317; 181/227, 228, 229, 247,
256, 257, 264, 282, 231, 232, 240, 243,
244, 245, 248-252, 255; 29/890, 890.08

[56] References Cited

U.S. PATENT DOCUMENTS

D. 184,198	12/1958	Russell	D12/194
D. 246,038	10/1977	Moller	D12/194
1,953,120	4/1934	Miller	D12/194 X
2,150,530	3/1939	Warsing	181/252
2,449,756	9/1948	Trautman	D12/194 X
3,173,710	3/1965	Kinnison	181/228
3,227,241	1/1966	Mattoon	181/245

3,396,813	8/1968	Hall	181/282
3,605,940	9/1971	Christensen	181/228
3,675,398	7/1972	Giarrizzo	181/231
4,371,054	2/1983	Wirt	181/252
4,685,534	8/1987	Burstein et al.	181/282
4,705,138	11/1987	Reese	181/228
4,795,615	1/1989	Cyron et al.	29/890

OTHER PUBLICATIONS

Kawasaki Vulcan Exhaust Pipe, Motor Cyclist Magazine, p.
51, Jun. 1995.

Chrome Customized 3" Bullet Exhaust Extensions to Fit
Volkswagen and Tailpipe Extension 15-1283, Both in J.C.
Whitney Catalog #291, p. 161, Jun. 1971.

Primary Examiner—Robert M. Spear
Attorney, Agent, or Firm—Daniel C. McKown

[57] CLAIM

The ornamental design for a muffler, as shown and
described.

DESCRIPTION

FIG. 1 is a front left top perspective view of a muffler
showing my new design;
FIG. 2 is a front elevational view thereof;
FIG. 3 is a top plan view thereof; and,
FIG. 4 is a bottom plan view thereof.
The left and right elevational views and the rear elevational
view are identical to the front elevational view shown in
FIG. 2.

1 Claim, 1 Drawing Sheet

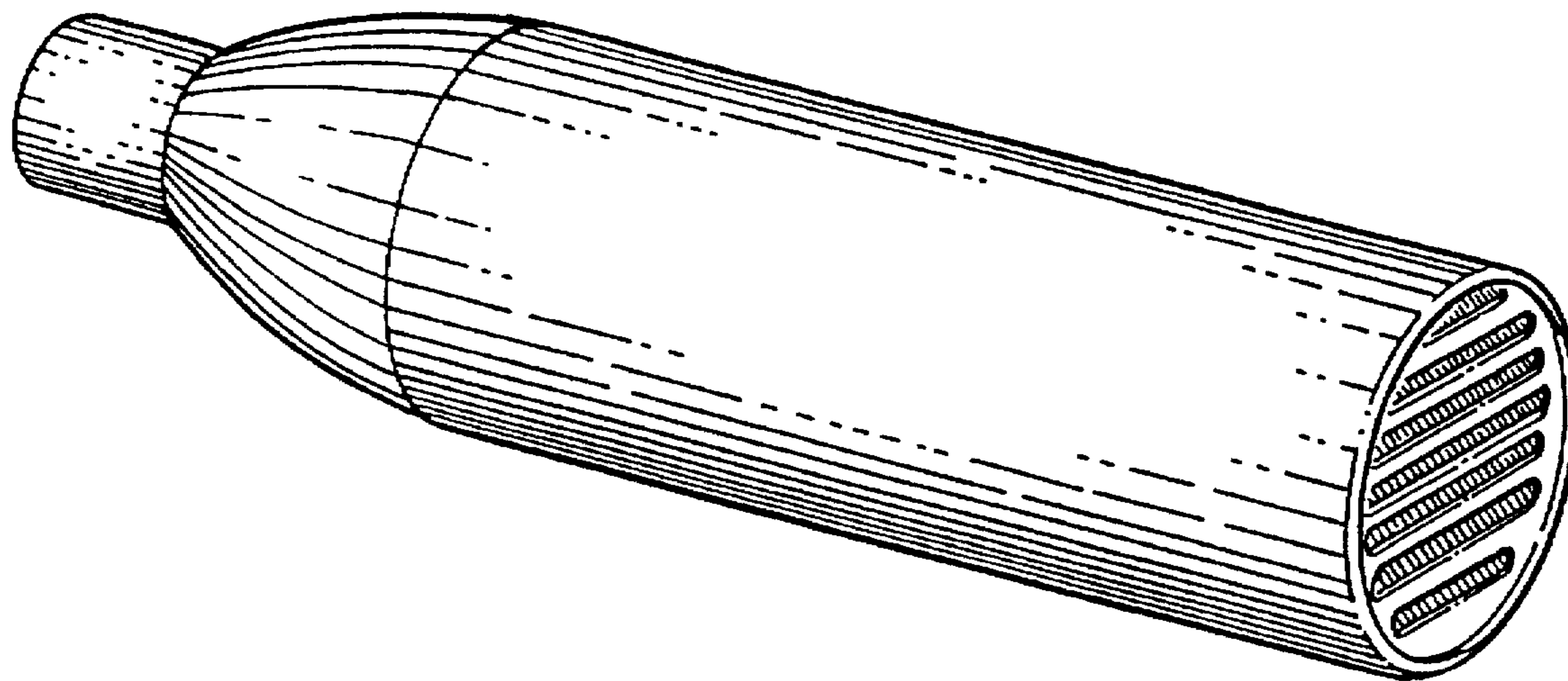


Fig. 2



Fig. 3

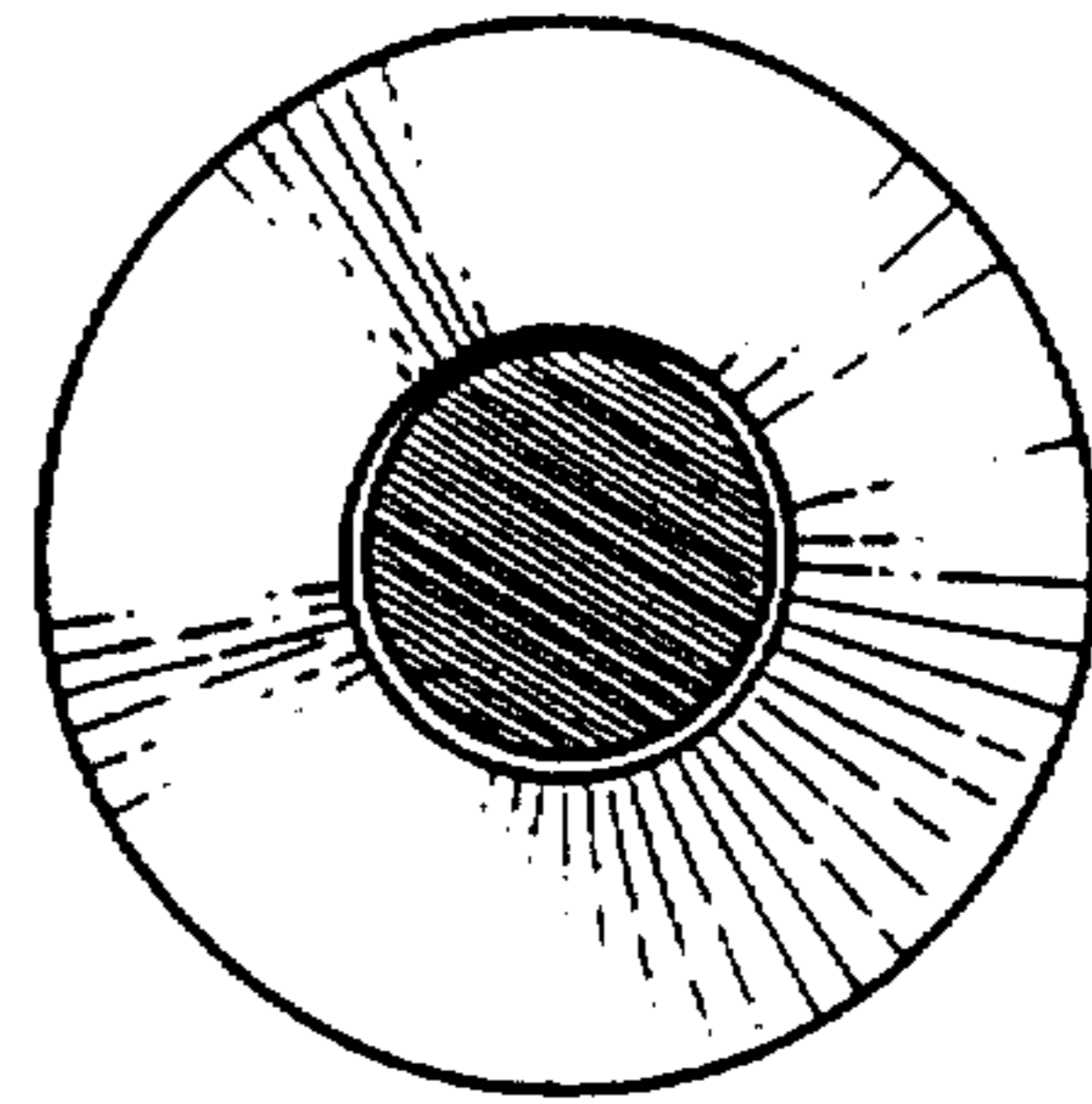
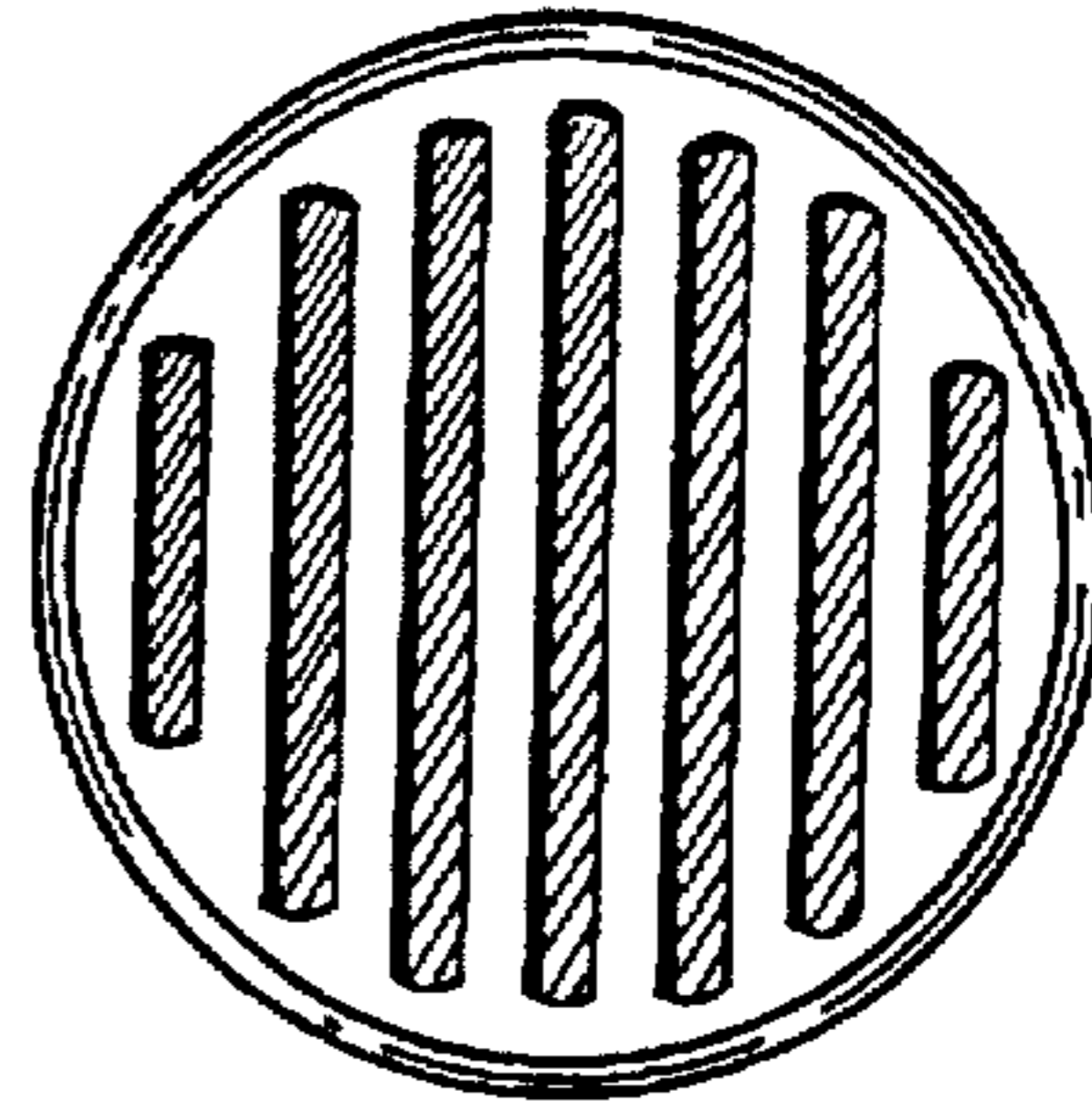


Fig. 4

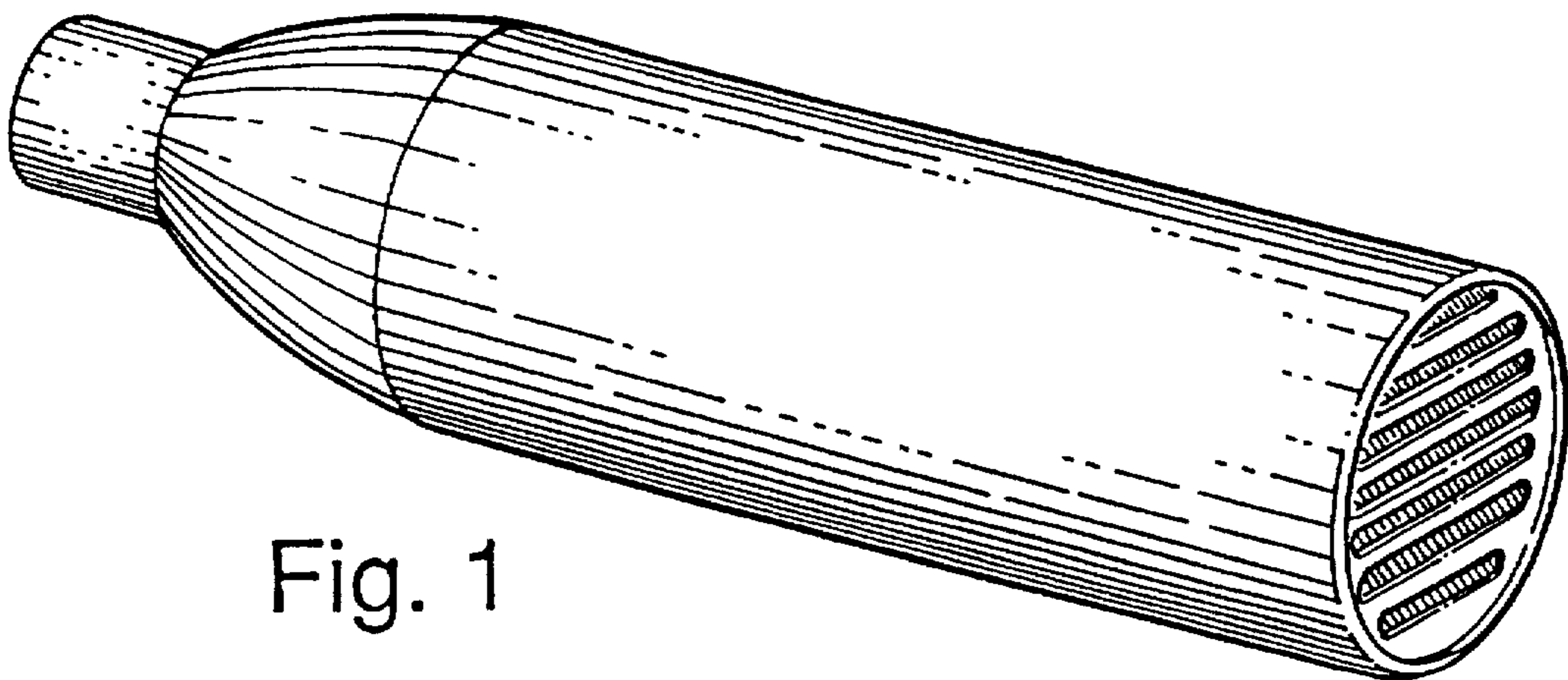


Fig. 1