



US00D394223S

# United States Patent [19]

Nishimura et al.

[11] Patent Number: Des. 394,223

[45] Date of Patent: \*\*May 12, 1998

[54] FISH FINDER

[75] Inventors: **Shinichiro Nishimura**, Tokyo; **Shigeru Namaizawa**, Koganei; **Toshiro Taki**, Hachioji; **Kiyofumi Ishibashi**, Mitaka, all of Japan

[73] Assignee: **Japan Radio Co., Ltd.**, Tokyo, Japan

[\*\*] Term: 14 Years

[21] Appl. No.: 68,004

[22] Filed: Mar. 14, 1997

### [30] Foreign Application Priority Data

Sep. 25, 1996 [JP] Japan ..... 8-28513

[51] LOC (6) Cl. .... 10-05

[52] U.S. Cl. .... D10/104

[58] Field of Search ..... D10/104, 106, D10/109, 114; 340/906, 907, 908, 916, 917

### [56] References Cited

#### U.S. PATENT DOCUMENTS

D. 191,581 10/1961 Scharfenberg ..... D10/104

D. 193,489	8/1962	Sarah .....	D10/104
D. 204,939	5/1966	Wyse .....	D10/104
D. 217,613	5/1970	Kahl, Jr. ....	D10/104
D. 222,941	2/1972	Knutson .....	D10/104
D. 226,857	5/1973	Van Den Broek .....	D10/104
D. 338,165	8/1993	Gregori et al. ....	D10/104

Primary Examiner—Marcus A. Jackson  
Attorney, Agent, or Firm—Frishauf, Holtz, Goodman, Langer & Chick

### [57] CLAIM

The ornamental design for a fish finder, as shown and described.

### DESCRIPTION

FIG. 1 is a perspective view of fish finder, showing our new design;  
FIG. 2 is a front view thereof;  
FIG. 3 is a rear view thereof;  
FIG. 4 is a right side view thereof;  
FIG. 5 is a left side view thereof;  
FIG. 6 is a top plan view thereof;  
FIG. 7 is a bottom plan view thereof; and,  
FIG. 8 is a cross-sectional view taken on line 8—8 of FIG. 2.

1 Claim, 7 Drawing Sheets

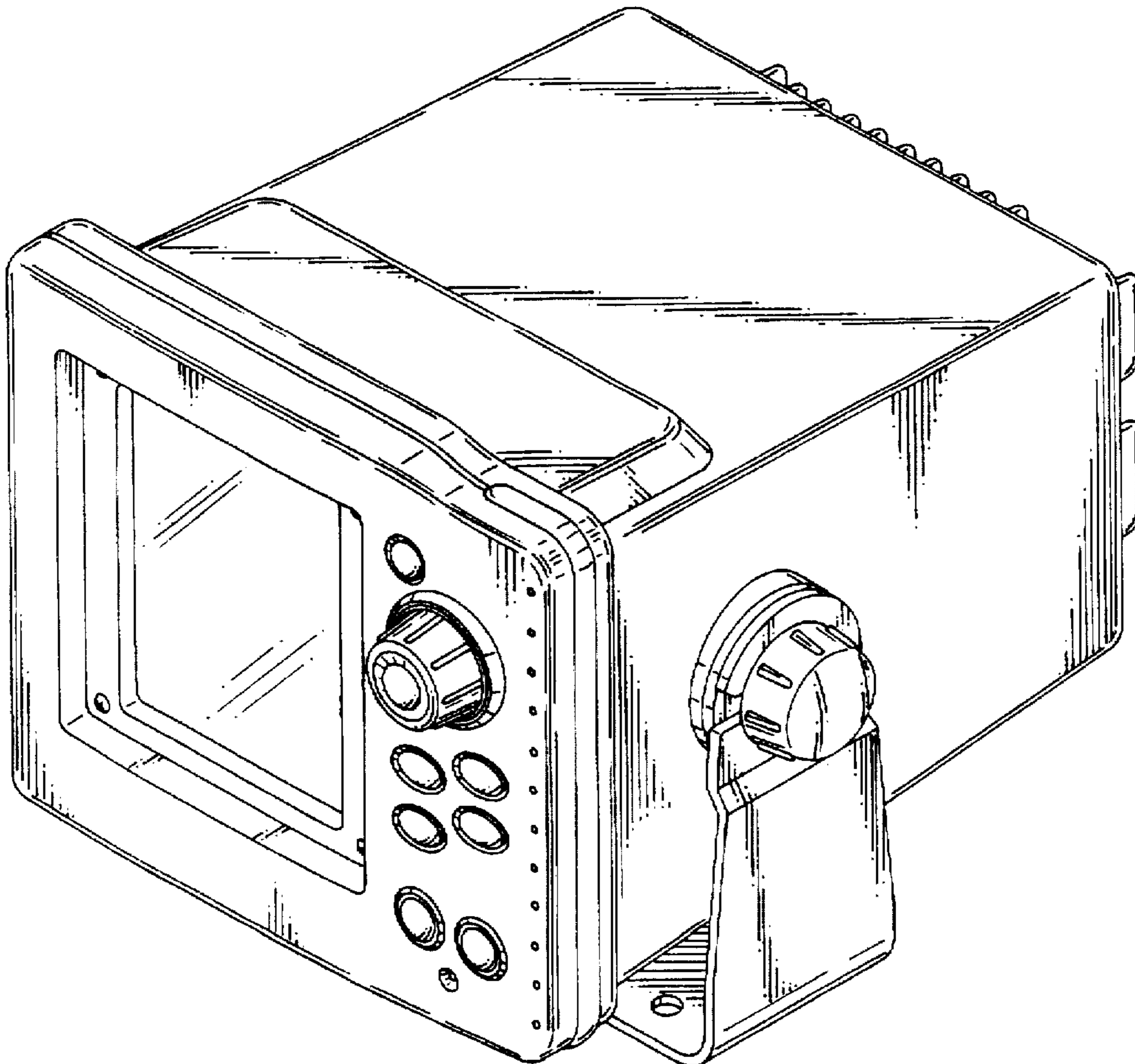


FIG. 1

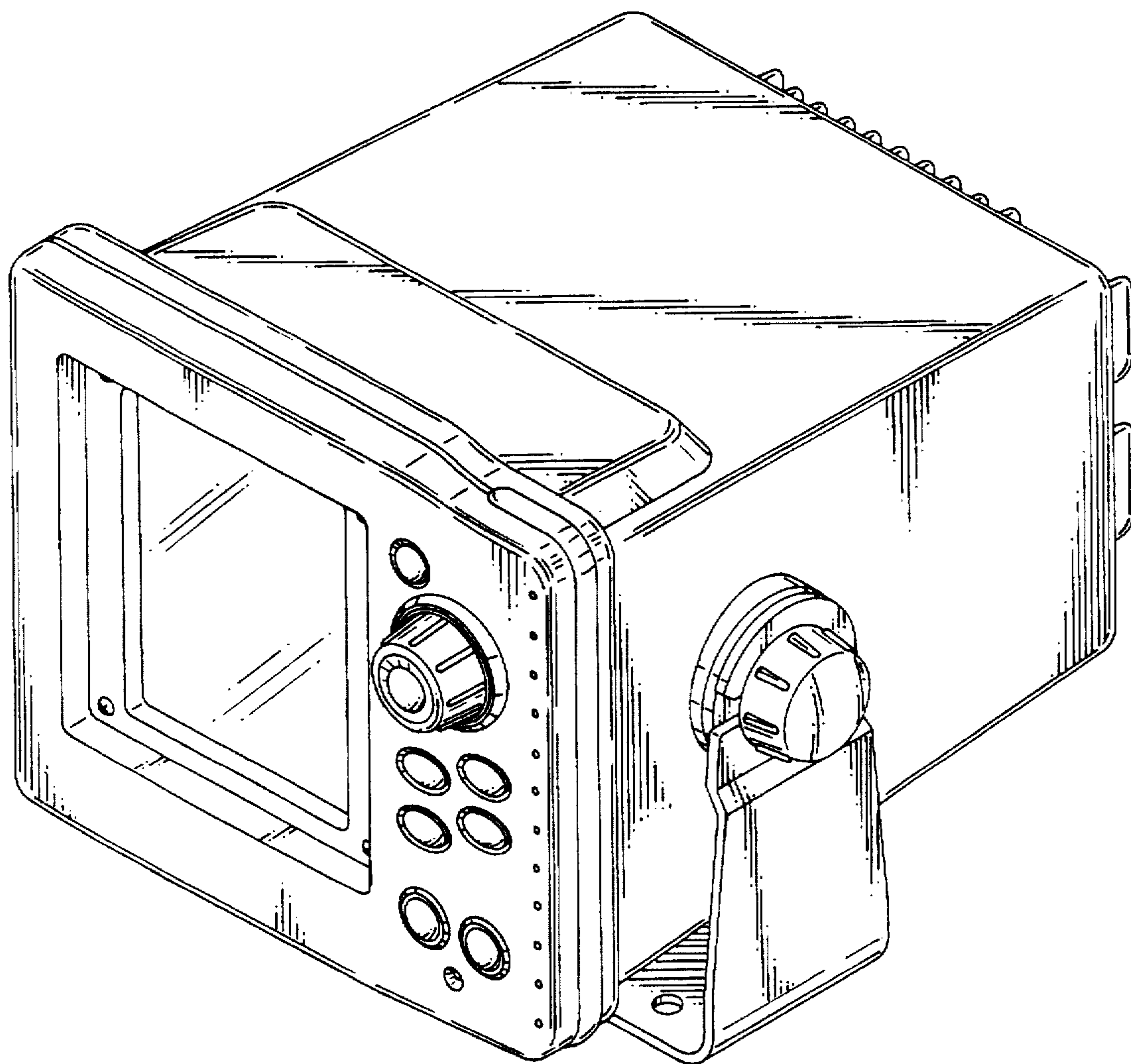


FIG. 2

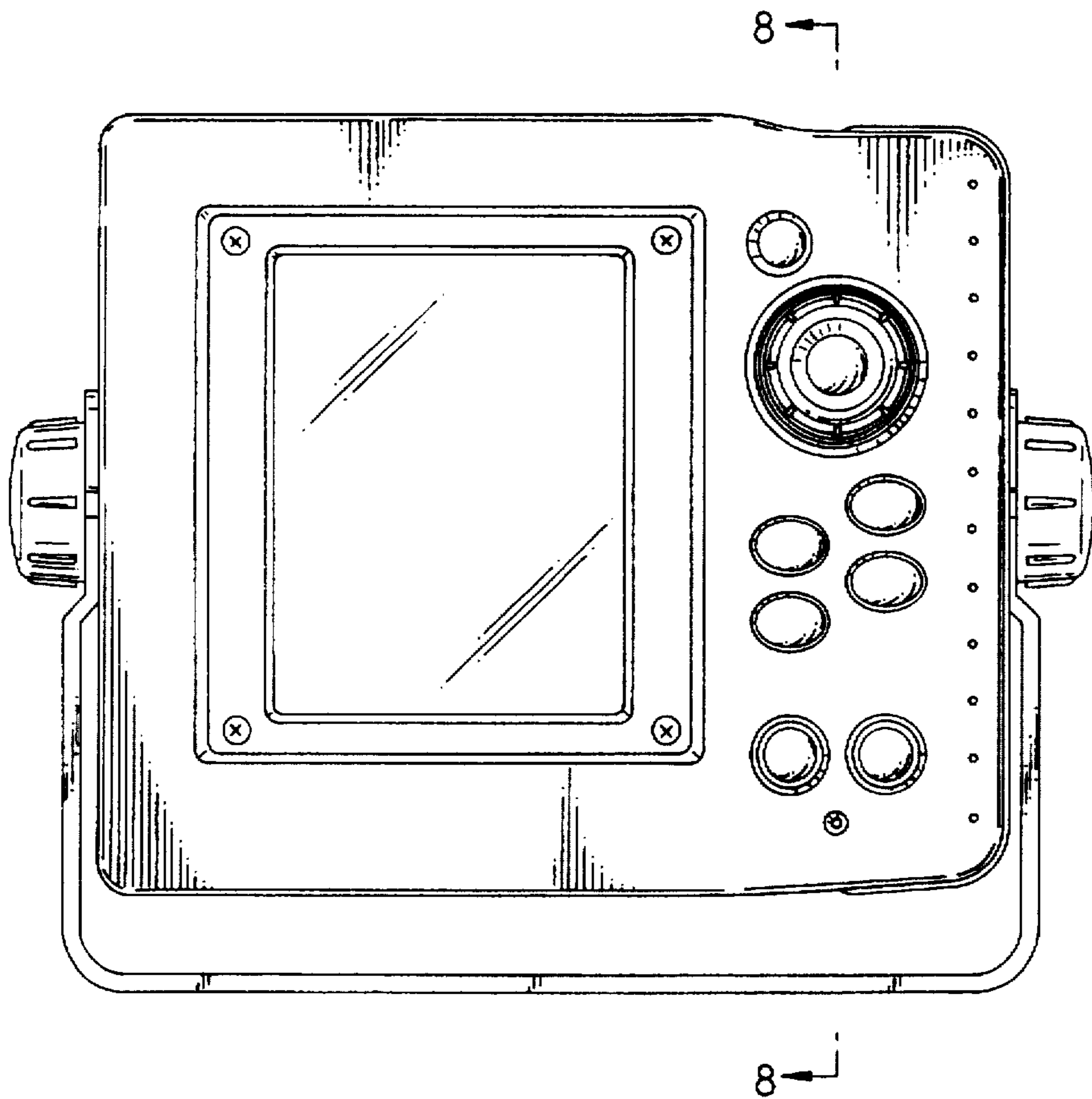


FIG. 3

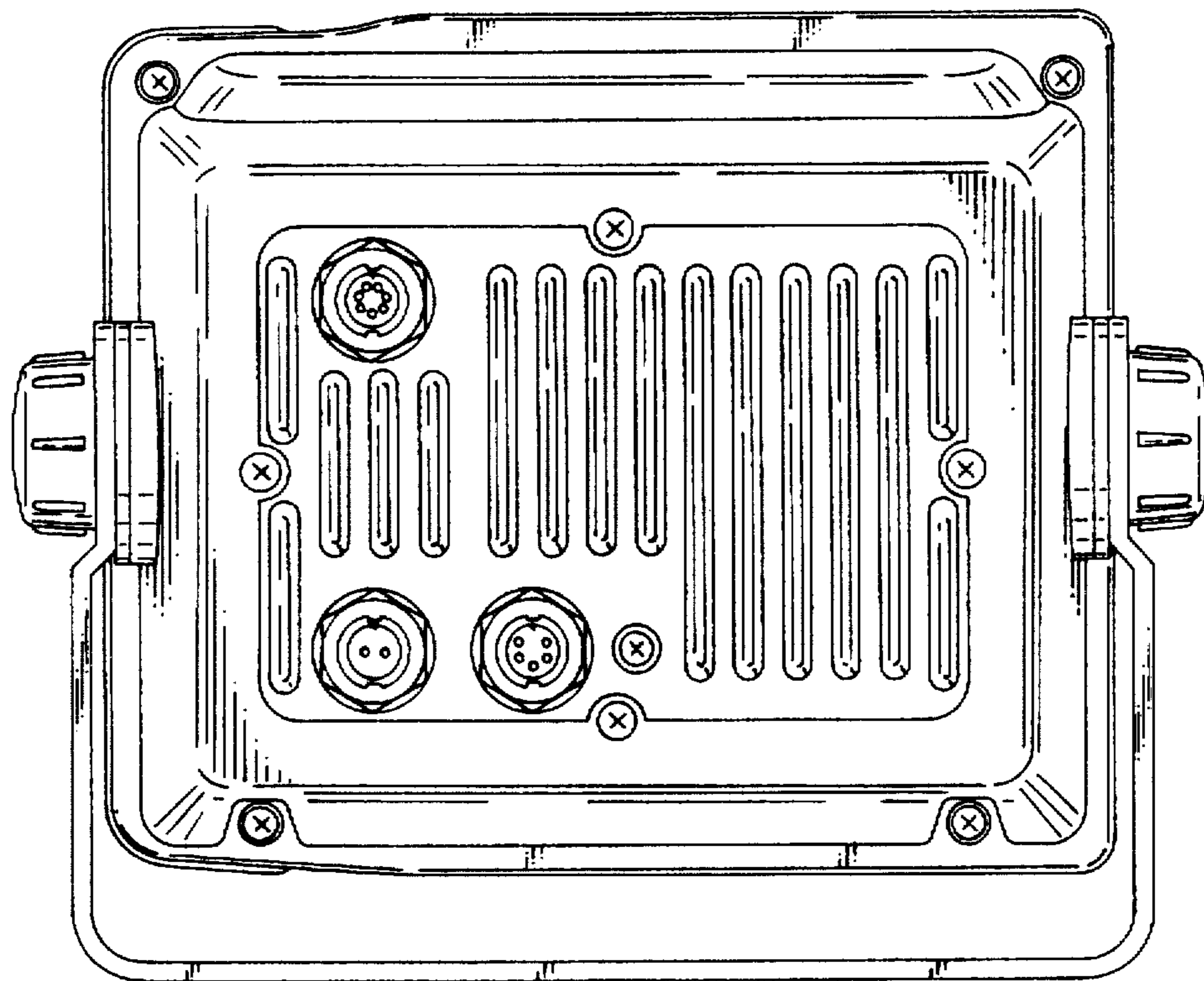


FIG. 4

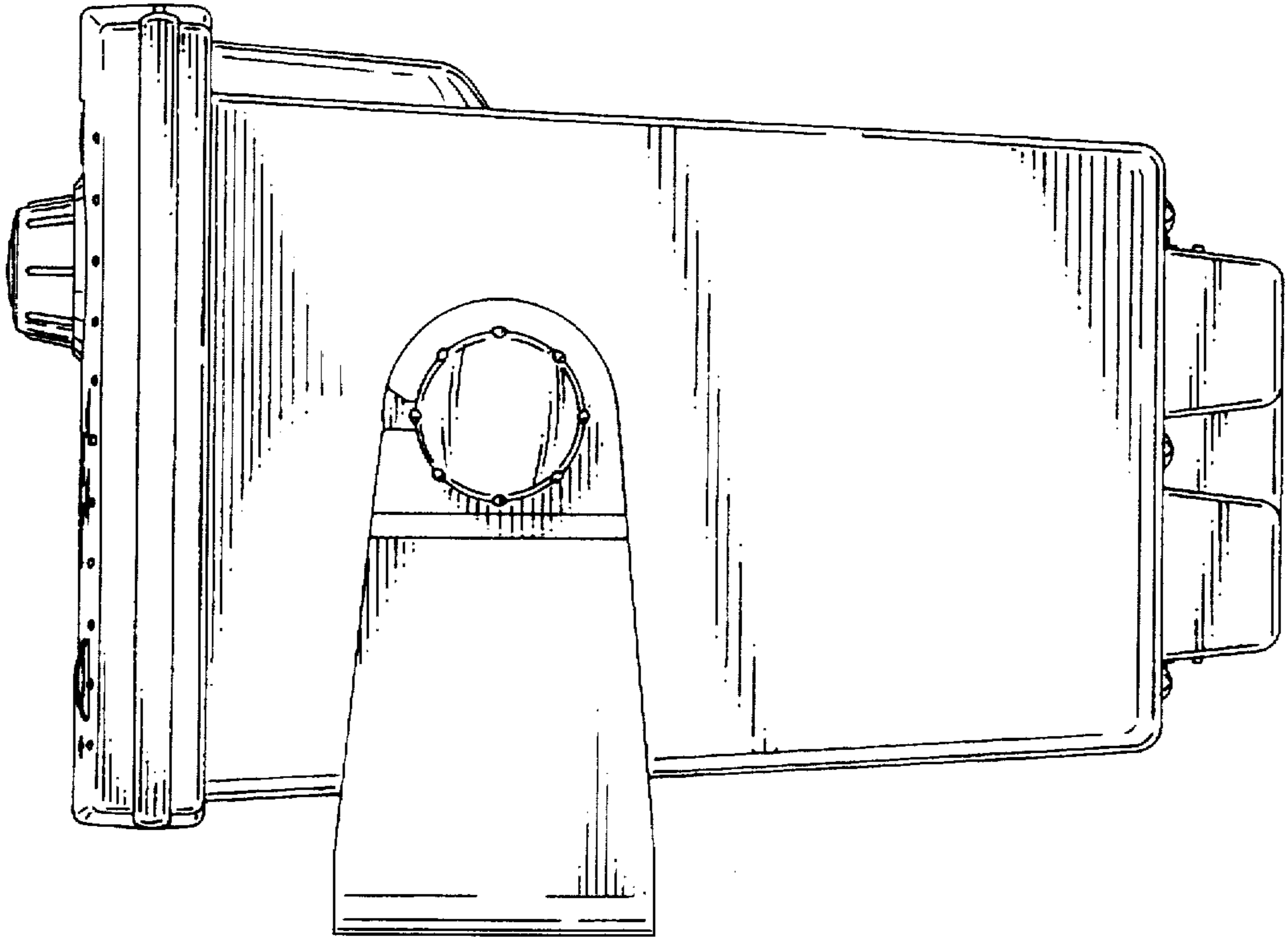


FIG. 5

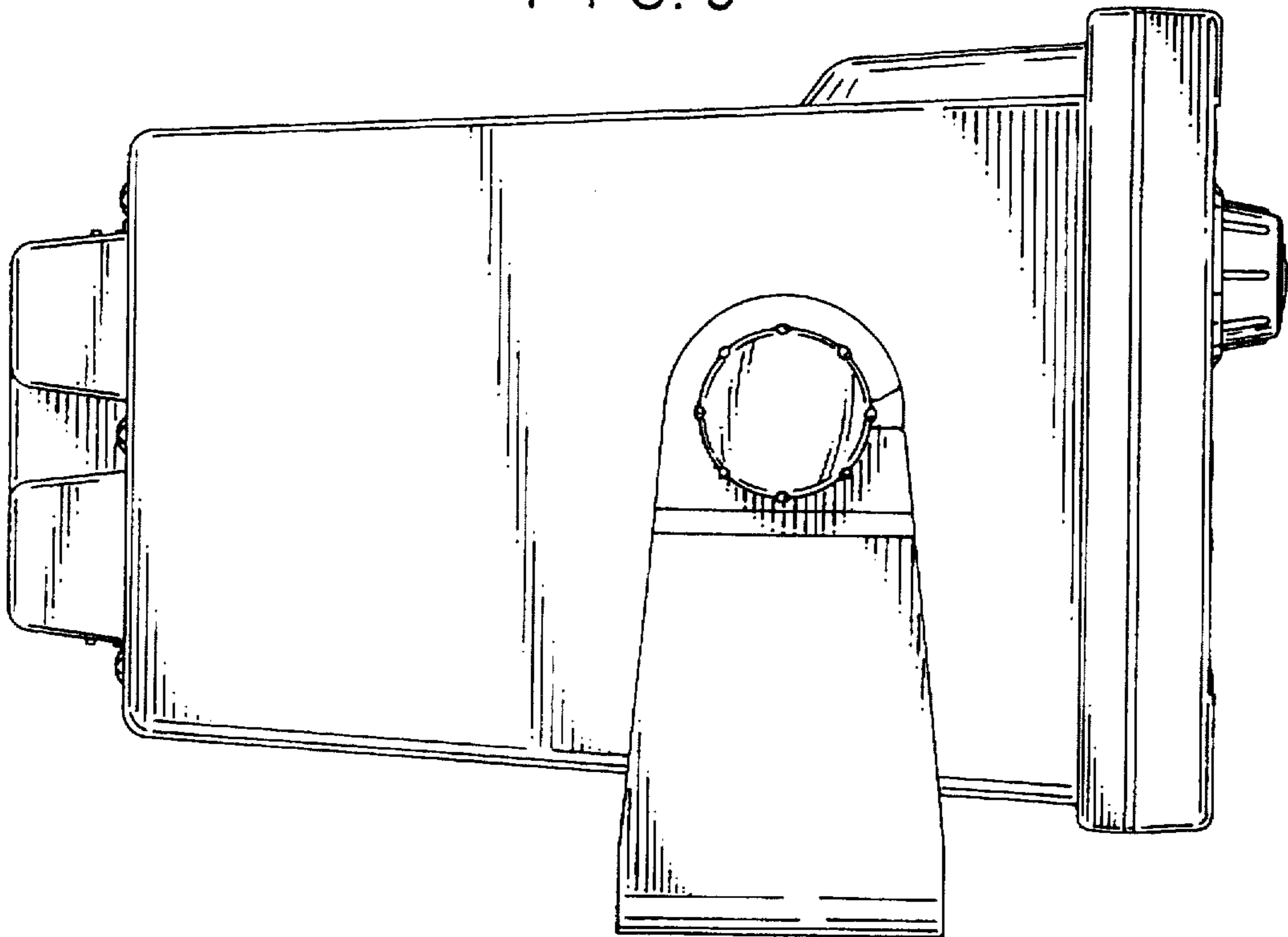


FIG. 6

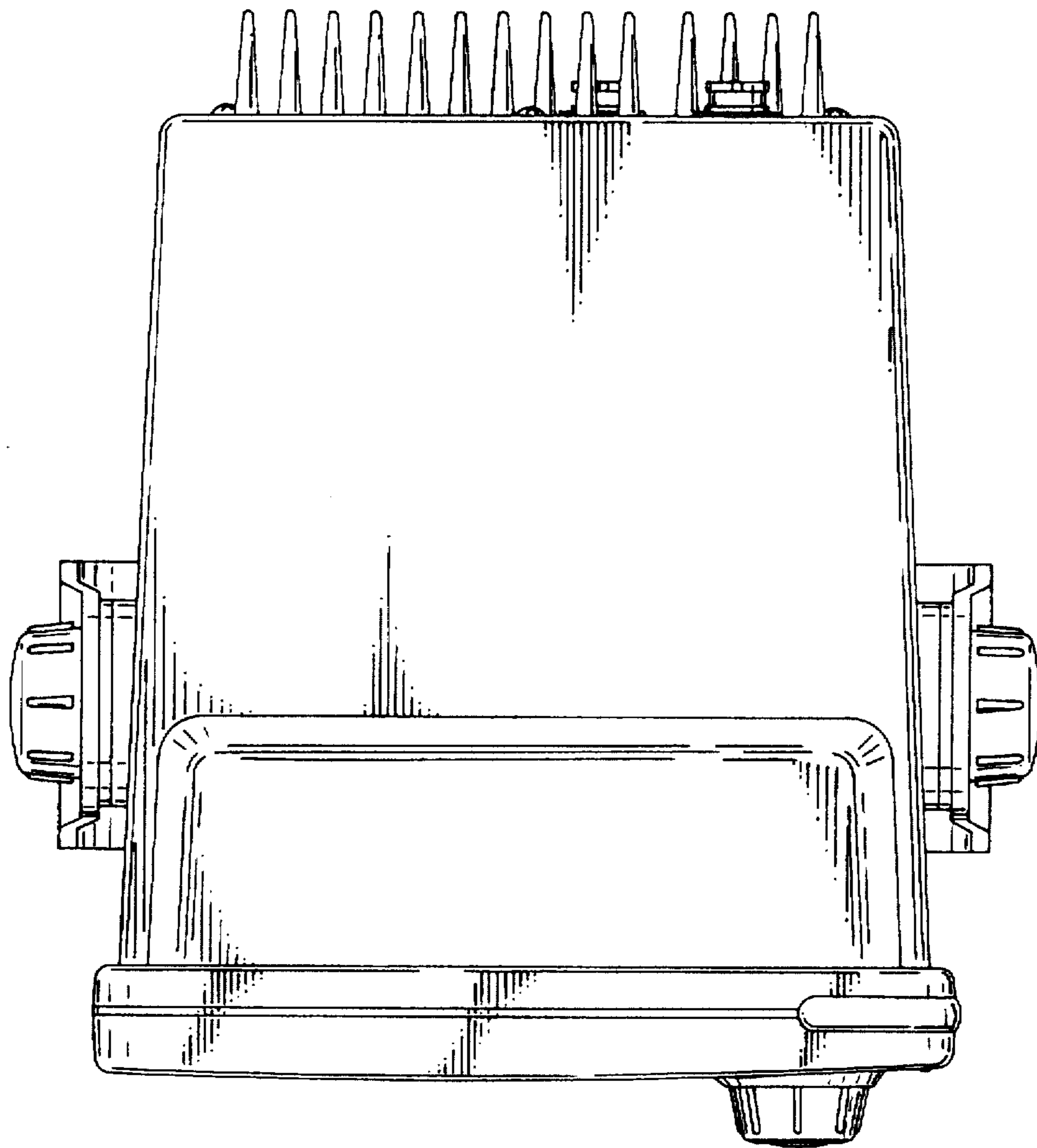


FIG. 7

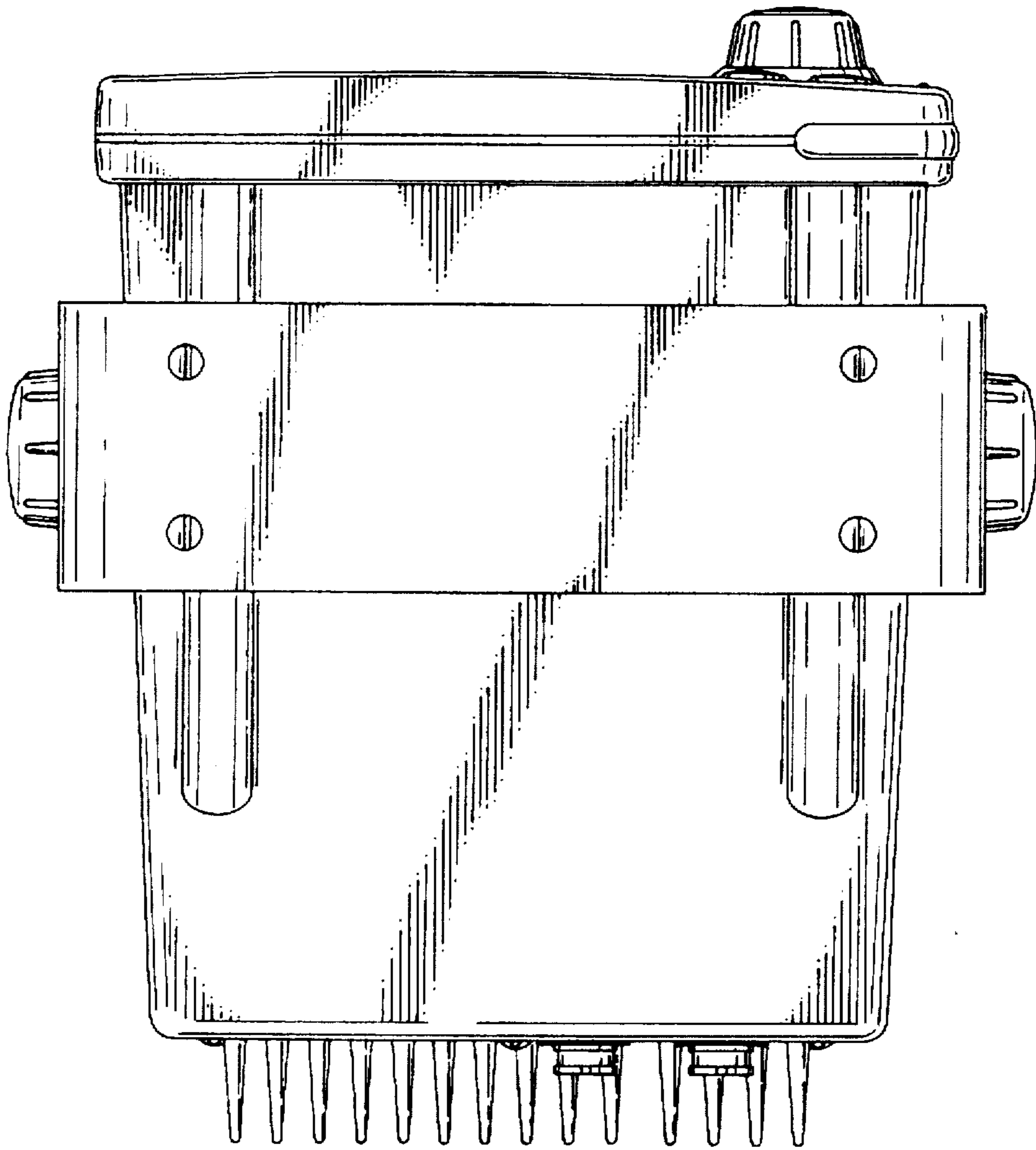


FIG. 8

