



US00D394222S

United States Patent [19]

Vainio et al.

[11] Patent Number: Des. 394,222

[45] Date of Patent: **May 12, 1998

[54] BODY FOR COMBINATION INSTRUMENT

[75] Inventors: **Erkki Vainio; Heikki Metsa-Ketela**,
both of Helsinki, Finland

[73] Assignee: **Suunto Oy**, Espoo, Finland

[**] Term: **14 Years**

[21] Appl. No.: **64,993**

[22] Filed: **Jan. 16, 1997**

[51] LOC (6) Cl. **10-04**

[52] U.S. Cl. **D10/68; D10/62**

[58] Field of Search **D10/62, 68; 33/272,
33/273, 275 R, 348, 354**

[56] References Cited

U.S. PATENT DOCUMENTS

D. 305,739	1/1990	Raitamaa	D10/68
D. 349,066	7/1994	Su	D10/68
4,438,568	3/1984	Kramer et al.	D10/68 X
4,899,453	2/1990	Bhat et al.	D10/68 X
5,313,712	5/1994	Curameng et al.	33/354

FOREIGN PATENT DOCUMENTS

919/86 9/1986 Finland .

OTHER PUBLICATIONS

Brochure entitled "The Suunto Twin. Two Precision Instruments in One" (First Page). Combinations of Clinometer and Hand-Bearing Compass: The Twin (Second Page). Suunto Oy, 1993.

Primary Examiner—Antoine Duval Davis
Attorney, Agent, or Firm—Steinberg, Raskin & Davidson, P.C.

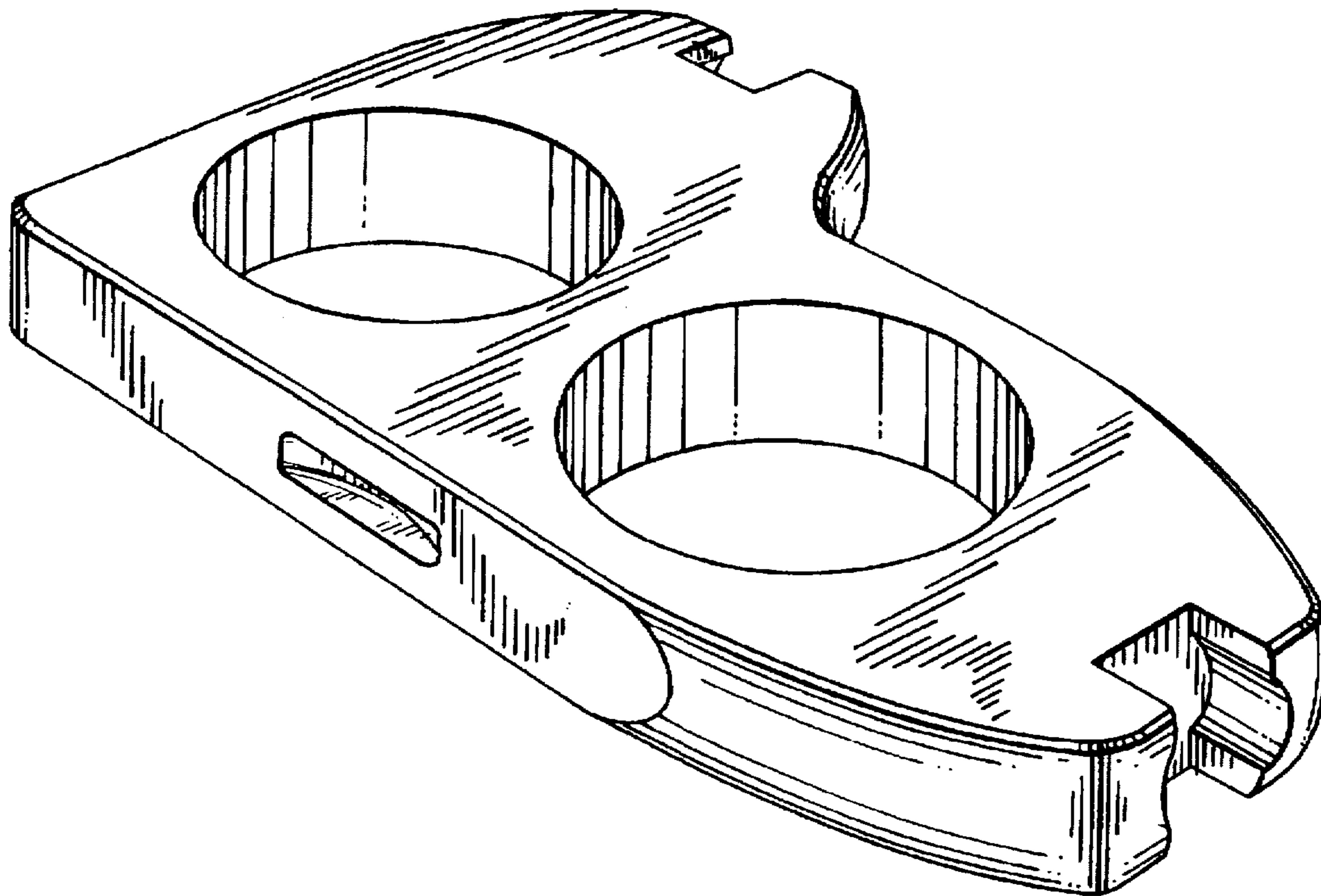
[57] CLAIM

The original ornamental design for a body for combination instrument, as shown.

DESCRIPTION

FIG. 1 is a front, left perspective view of a body for combination instrument showing my new design;
FIG. 2 is a top view thereof;
FIG. 3 is a left side view thereof;
FIG. 4 is a front view thereof;
FIG. 5 is a rear view thereof;
FIG. 6 is a right side view thereof; and,
FIG. 7 is a bottom view thereof.

1 Claim, 2 Drawing Sheets



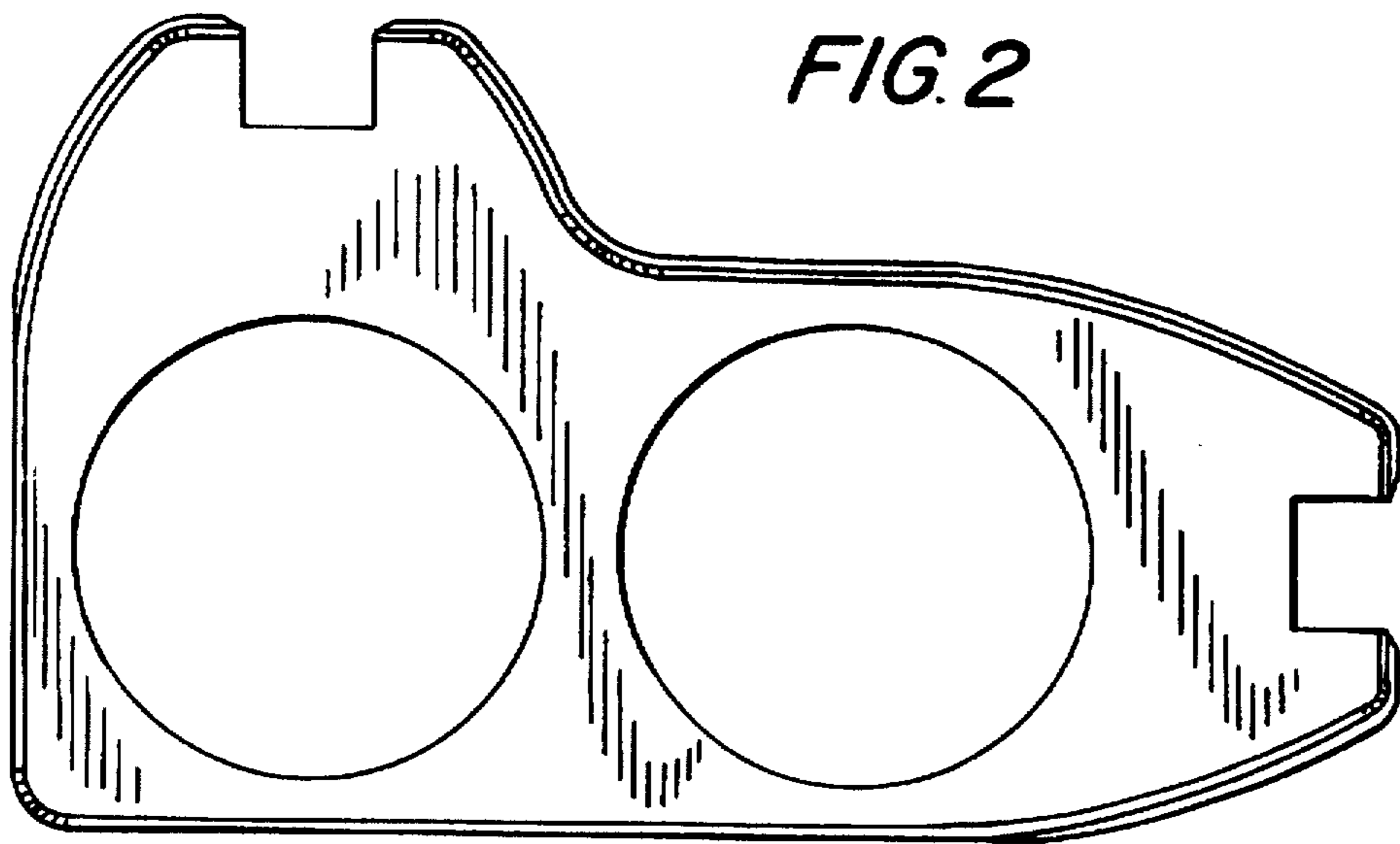
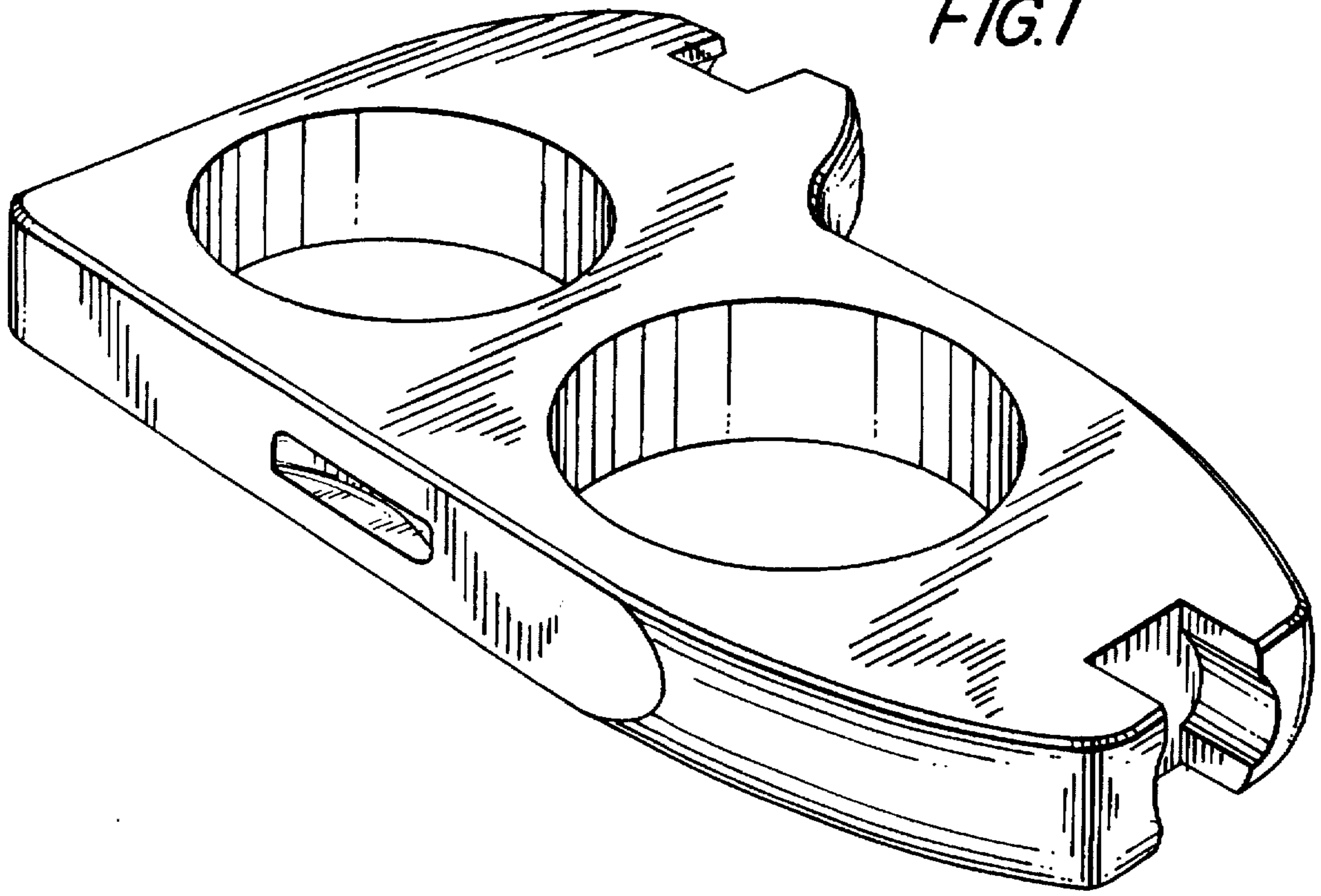


FIG.3

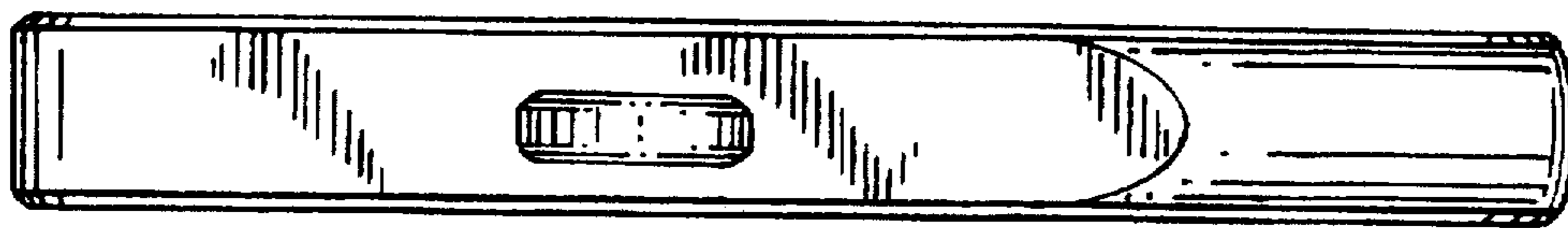


FIG.4

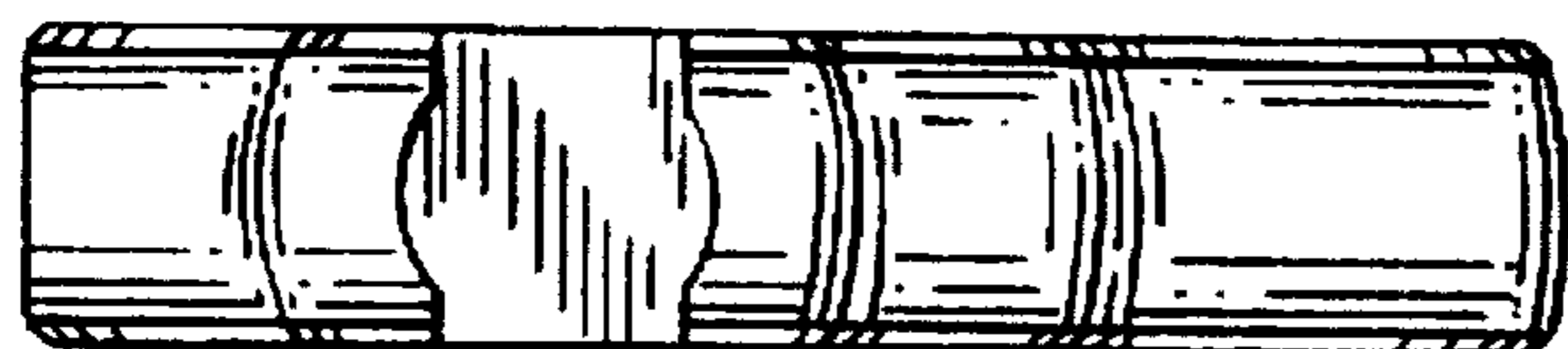


FIG.5

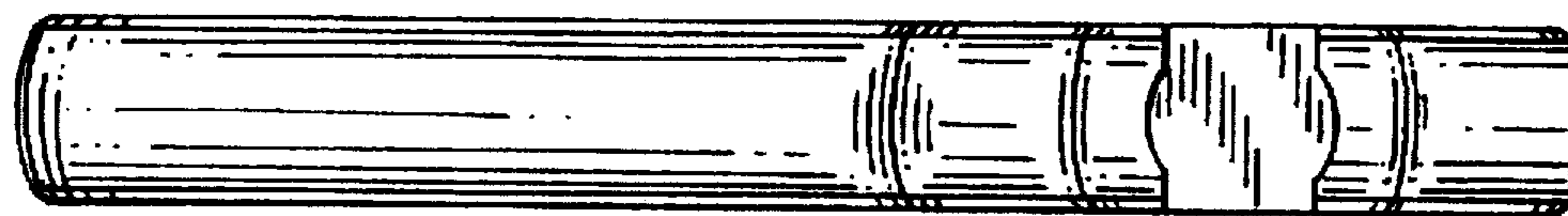
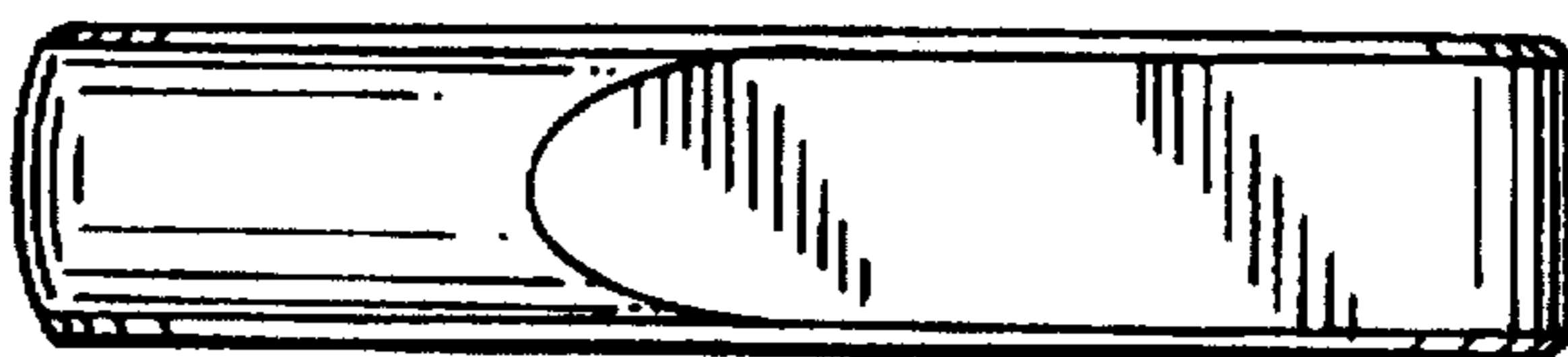


FIG.6

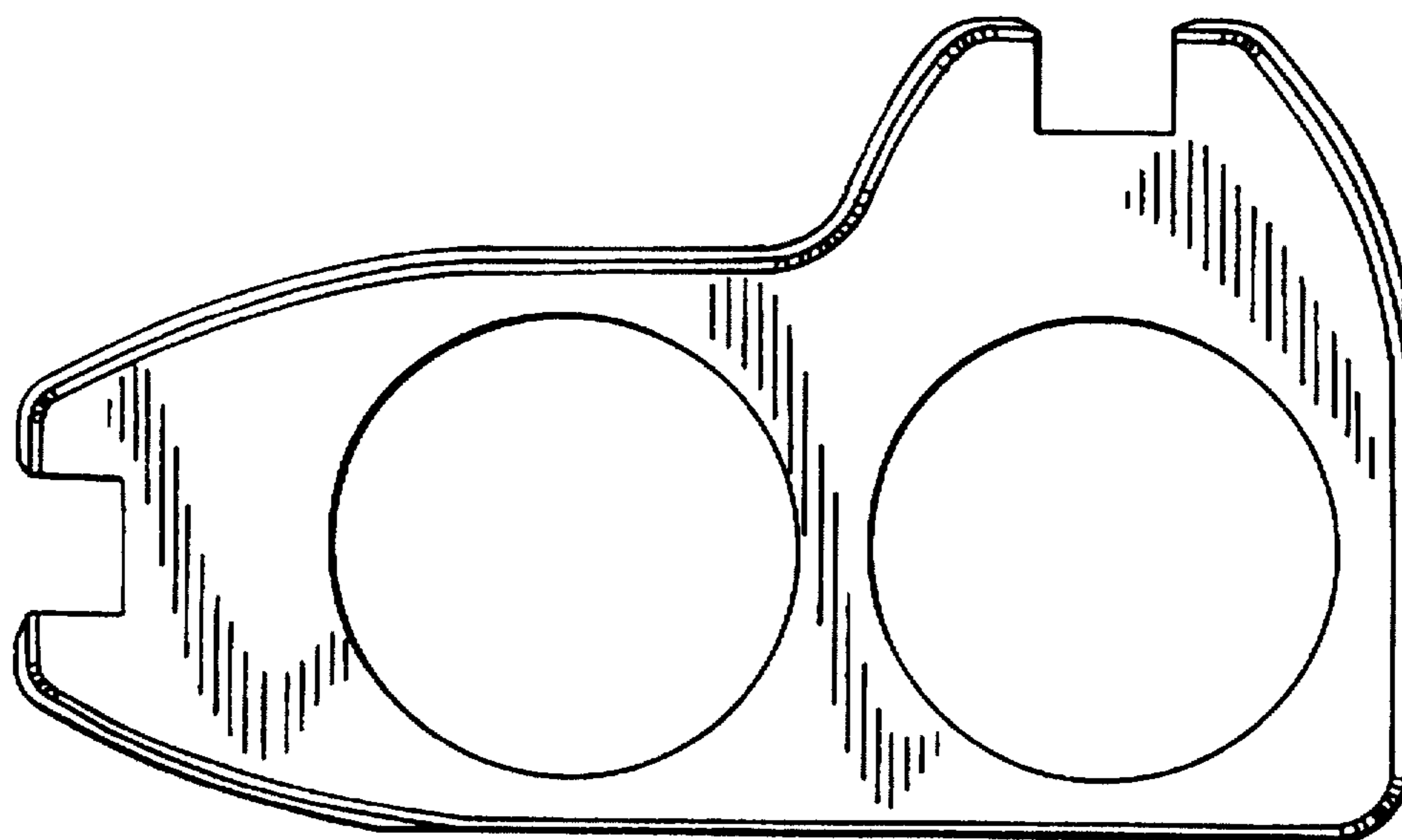


FIG.7