



US00D394218S

United States Patent [19]

Keto et al.

[11] Patent Number: Des. 394,218

[45] Date of Patent: **May 12, 1998

[54] QUANTUM USER INTERFACE MODULE

[75] Inventors: **Steven E. Keto**, Port Washington; **Herbert W. Mueller**, Sussex; **Thomas J. Lechner**, Mequon; **Jennifer J. Clark-Keller**, Jackson; **George Rudich, Jr.**, Cedarburg, all of Wis.; **Robert E. Hillmer**, Toronto, Canada

[73] Assignee: **Johnson Service Company**, Milwaukee, Wis.

[**] Term: **14 Years**

[21] Appl. No.: **61,772**

[22] Filed: **Oct. 30, 1996**

[51] LOC (6) Cl. **10-04**

[52] U.S. Cl. **D10/50**

[58] Field of Search D10/49, 50; 165/11.1, 165/13, 22, 32-41; 236/1 B, 46 R, 47, 49.3, 87, 94; 337/360, 380; 364/357

[56] References Cited

U.S. PATENT DOCUMENTS

D. 264,189	5/1982	Crawford et al.	D10/50
D. 360,145	7/1995	Odom et al.	D10/50
D. 360,147	7/1995	Odom et al.	D10/50
D. 361,287	8/1995	Guy et al.	D10/50
D. 366,429	1/1996	Dexter et al.	D10/50
5,482,209	1/1996	Cochran et al.	D10/50 X
5,485,954	1/1996	Guy et al.	D10/50 X

Primary Examiner—Antoine Duval Davis
Attorney, Agent, or Firm—Dickey & Pierce, P.L.C.

[57] CLAIM

The ornamental design for a quantum user interface module, as shown and described.

DESCRIPTION

FIG. 1 is a front perspective view of a quantum user interface module showing our new design, with a front cover in a closed position;

FIG. 2 is a front perspective view of a quantum user interface module of FIG. 1 in which the front cover is shown partially open;

FIG. 3 is a top elevational view of the quantum user interface module of FIG. 1 with the front cover completely open;

FIG. 4 is a top elevational view of the quantum user interface module of FIG. 1 with the front cover completely closed;

FIG. 5 is a left side elevational view of the quantum user interface module of FIG. 1, with the front cover completely closed, the right side being a mirror image;

FIG. 6 is a left side elevational view of the quantum user interface module of FIG. 1 with the front cover partially open;

FIG. 7 is a right side elevational view of the quantum user interface module of FIG. 1 with the front cover partially open;

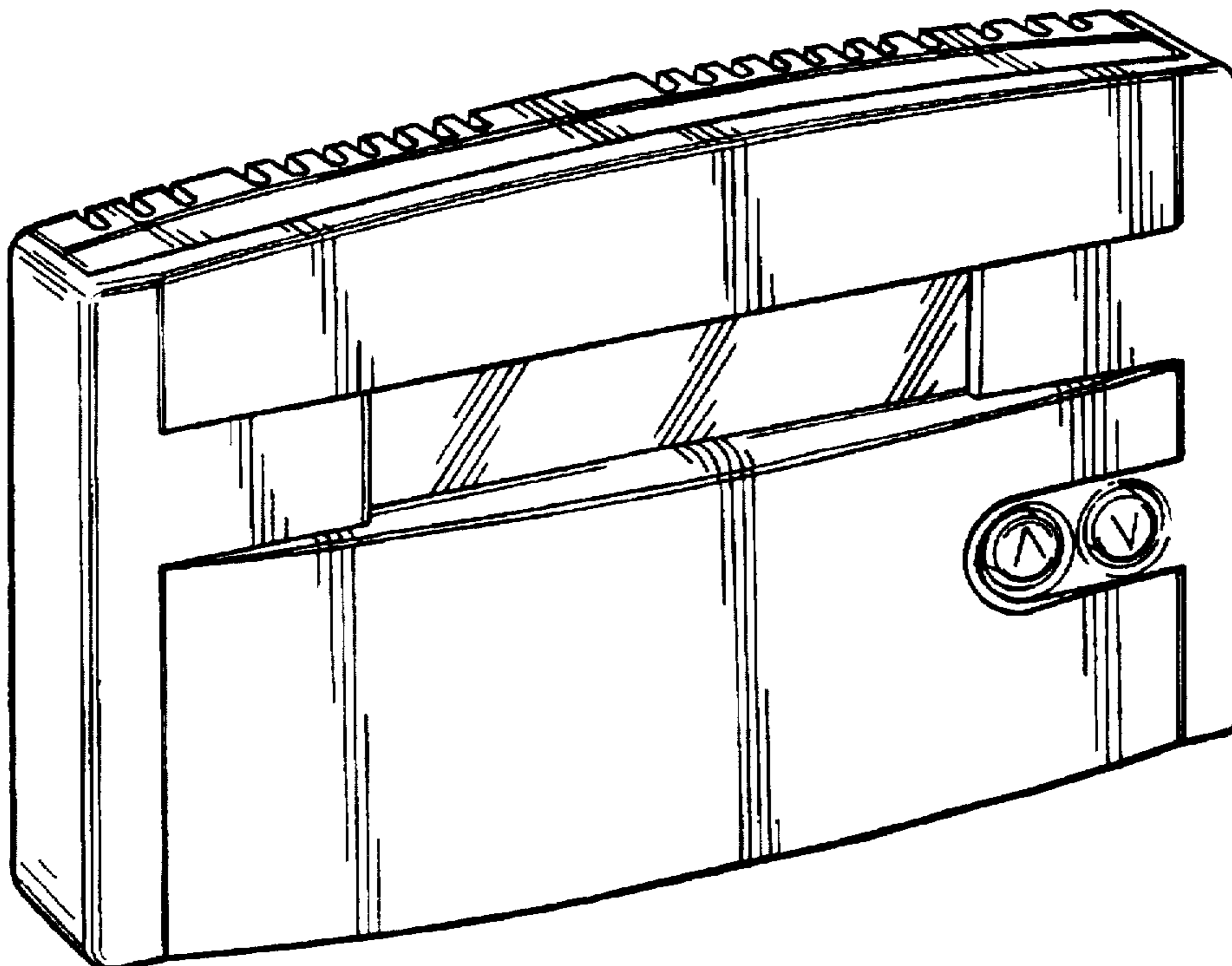
FIG. 8 is a front plan view of the quantum user interface module of FIG. 1 with the front cover completely closed;

FIG. 9 is a front plan view of the quantum user interface module of FIG. 1 with the front cover completely open;

FIG. 10 is a rear plan view of the quantum user interface module of FIG. 1 with the front cover completely closed; and,

FIG. 11 is a bottom elevational view of the quantum user interface module of FIG. 1 with the front cover closed.

1 Claim, 4 Drawing Sheets



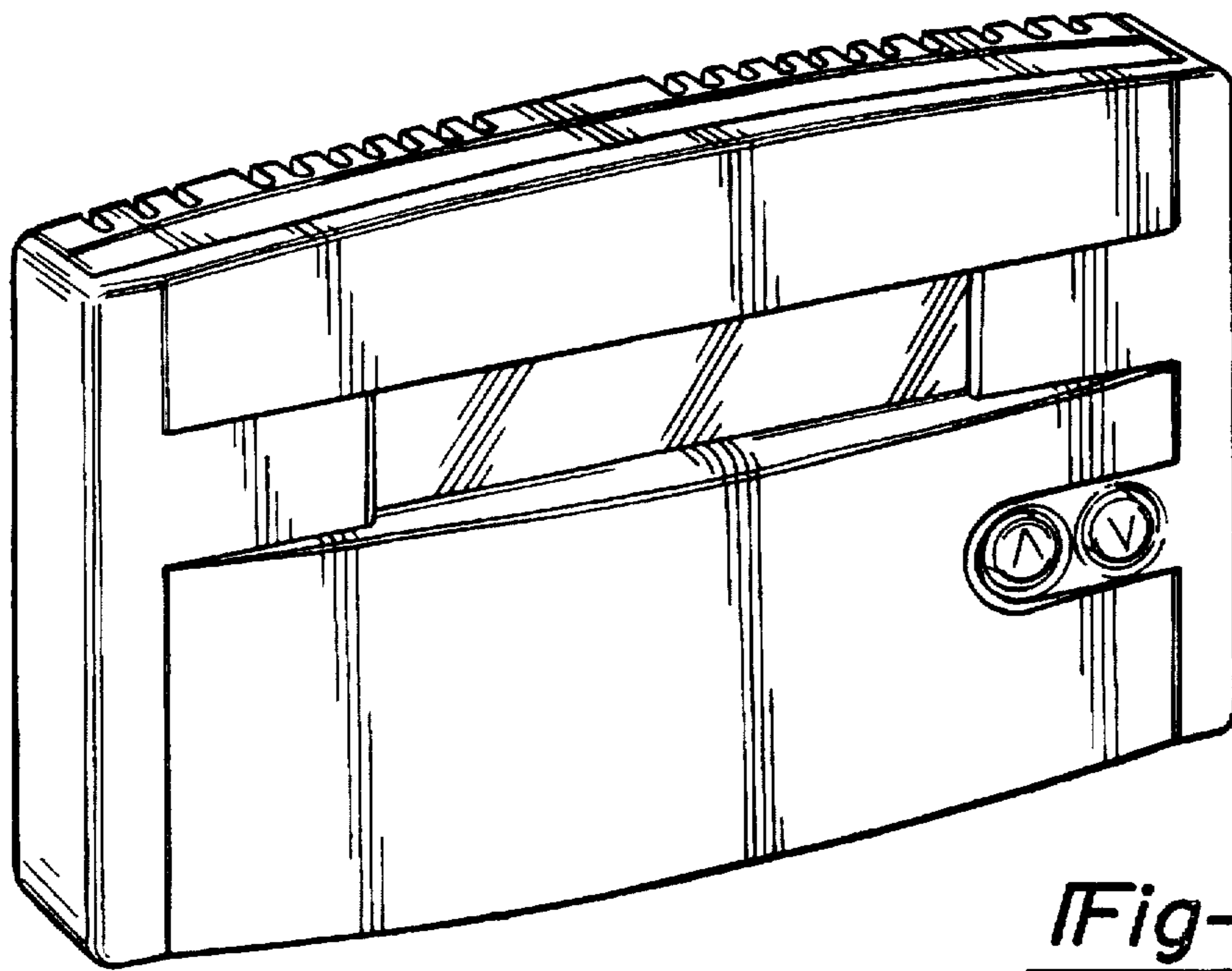


Fig-1

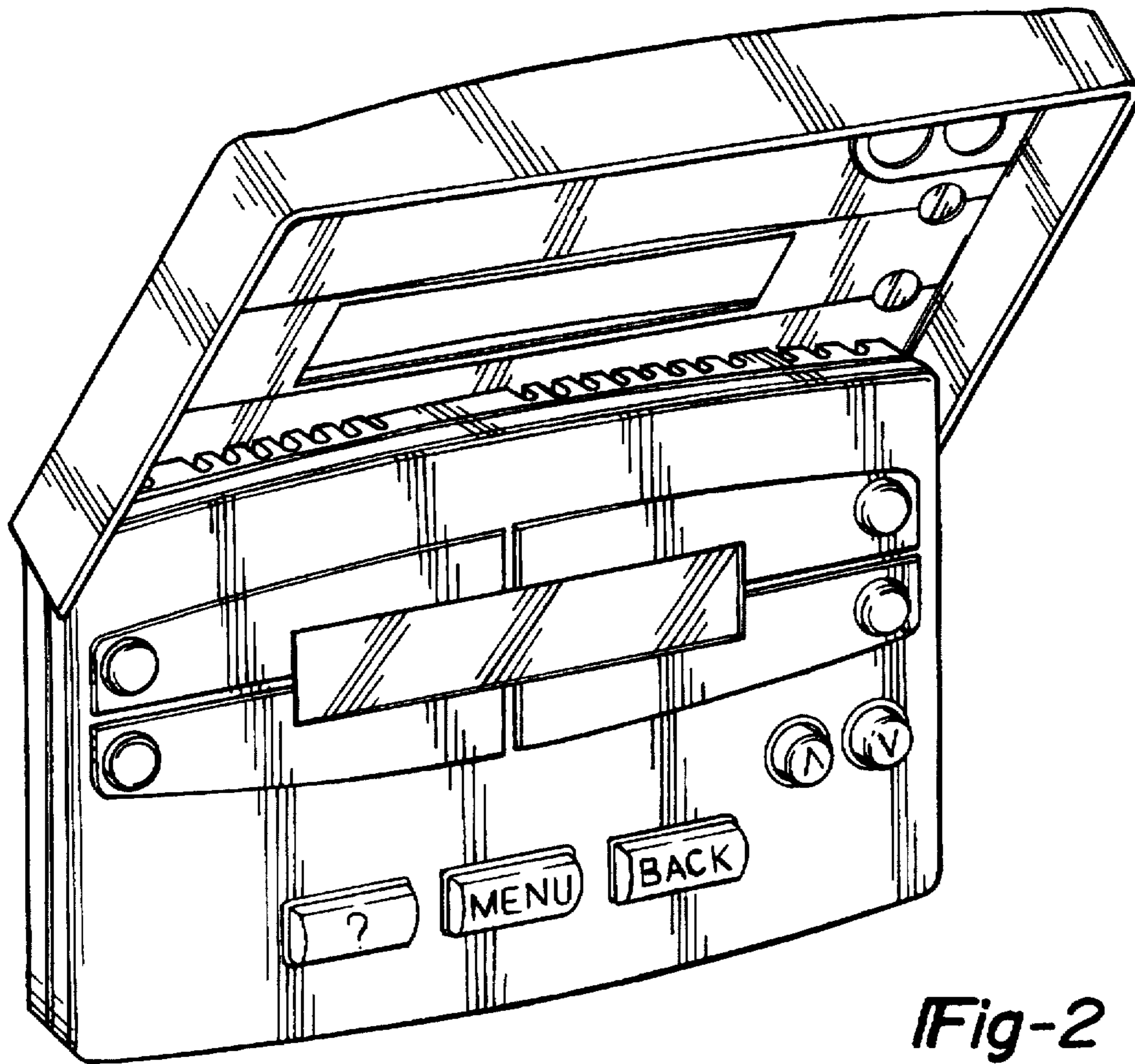


Fig-2

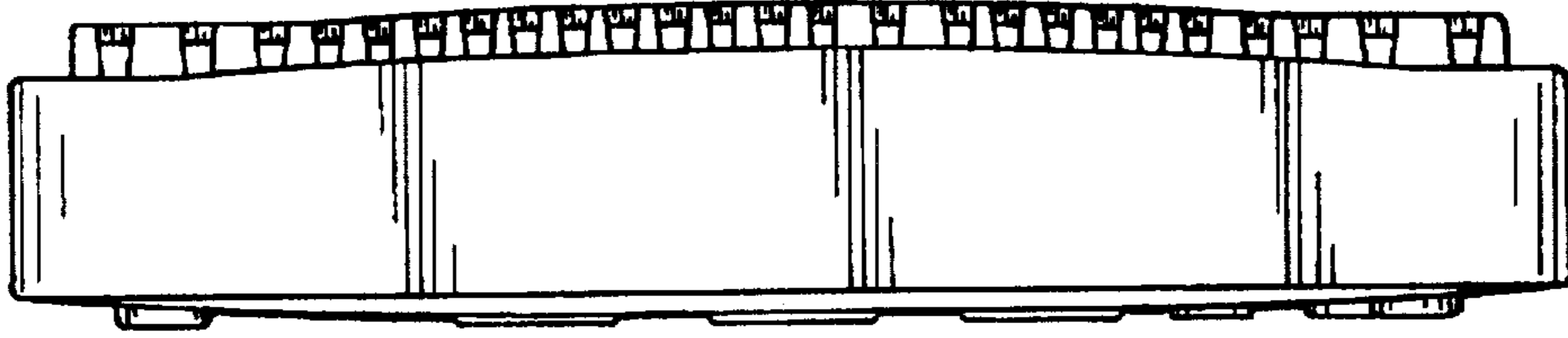


Fig-3

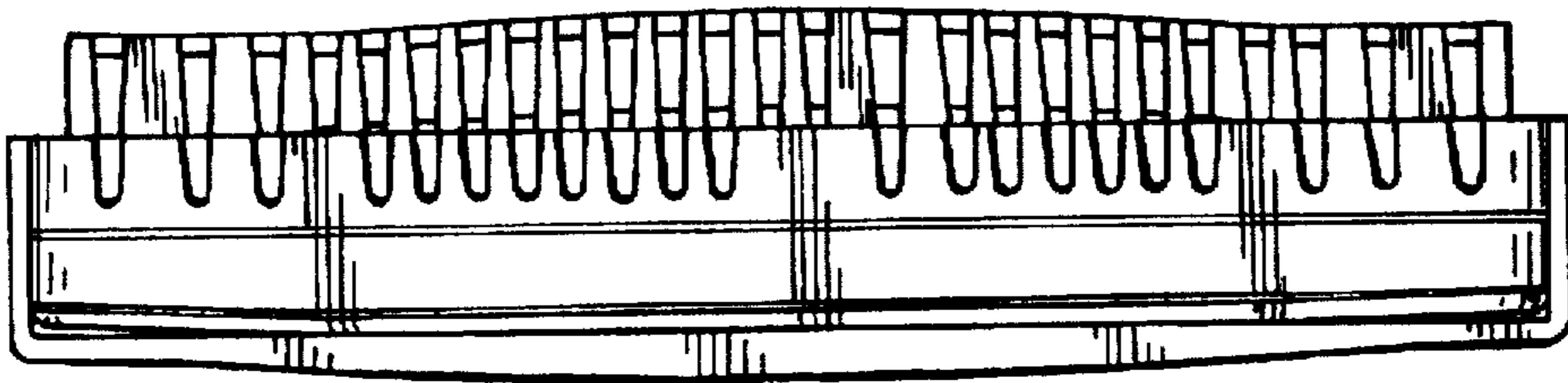


Fig-4

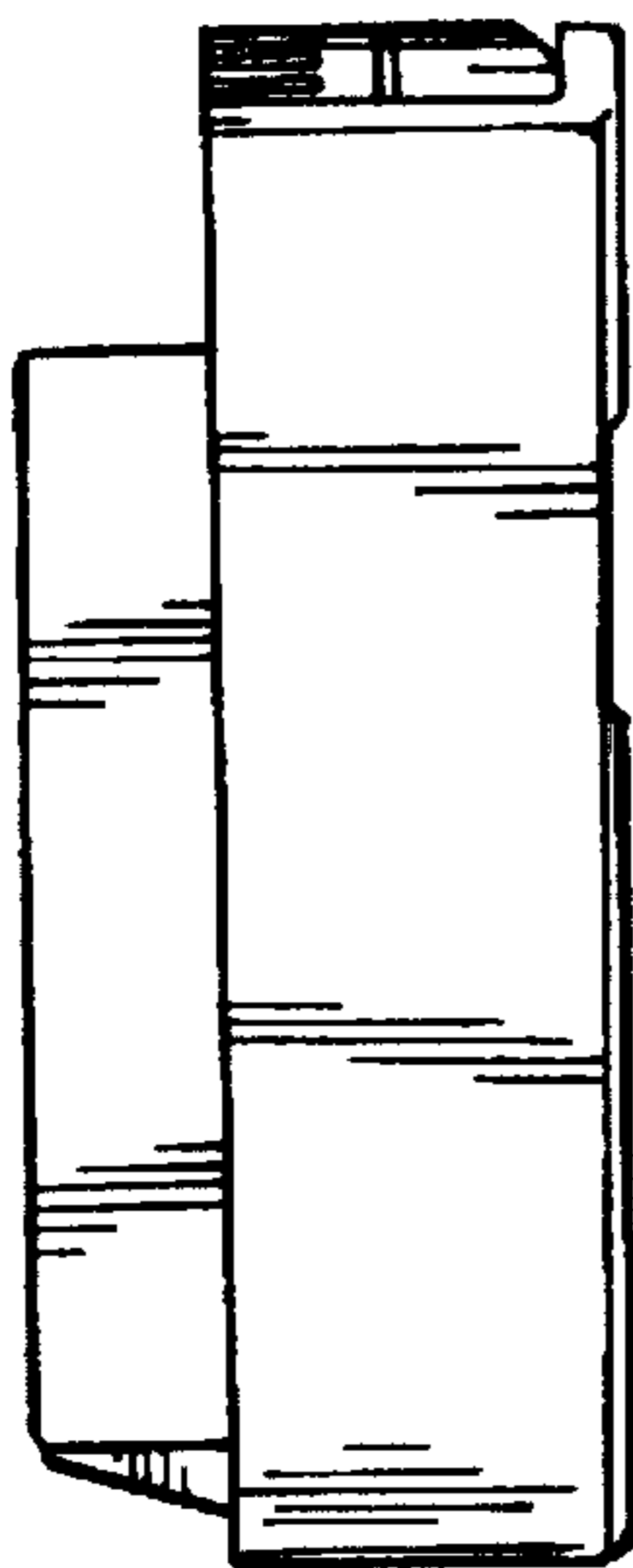


Fig-5

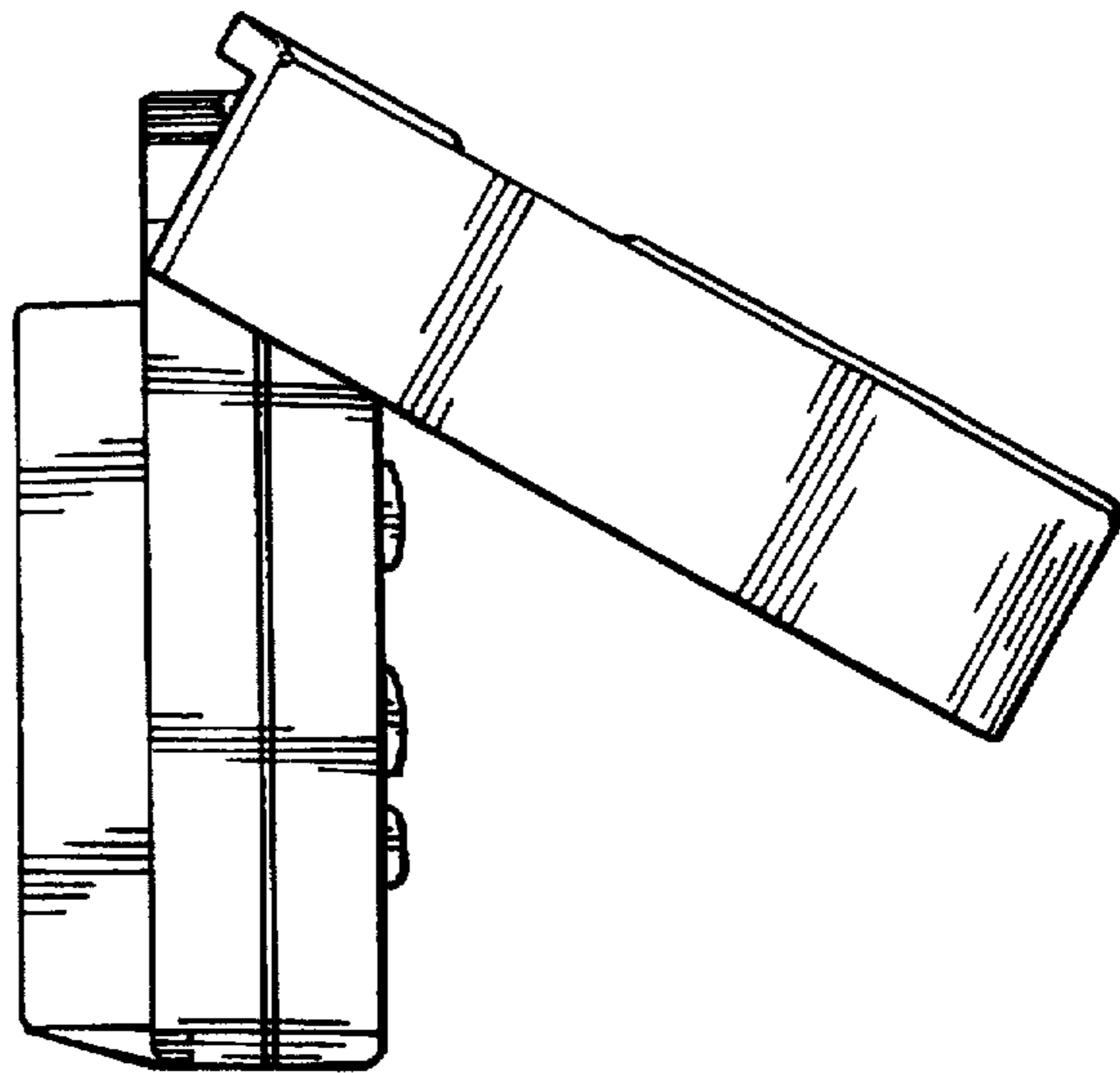


Fig-6

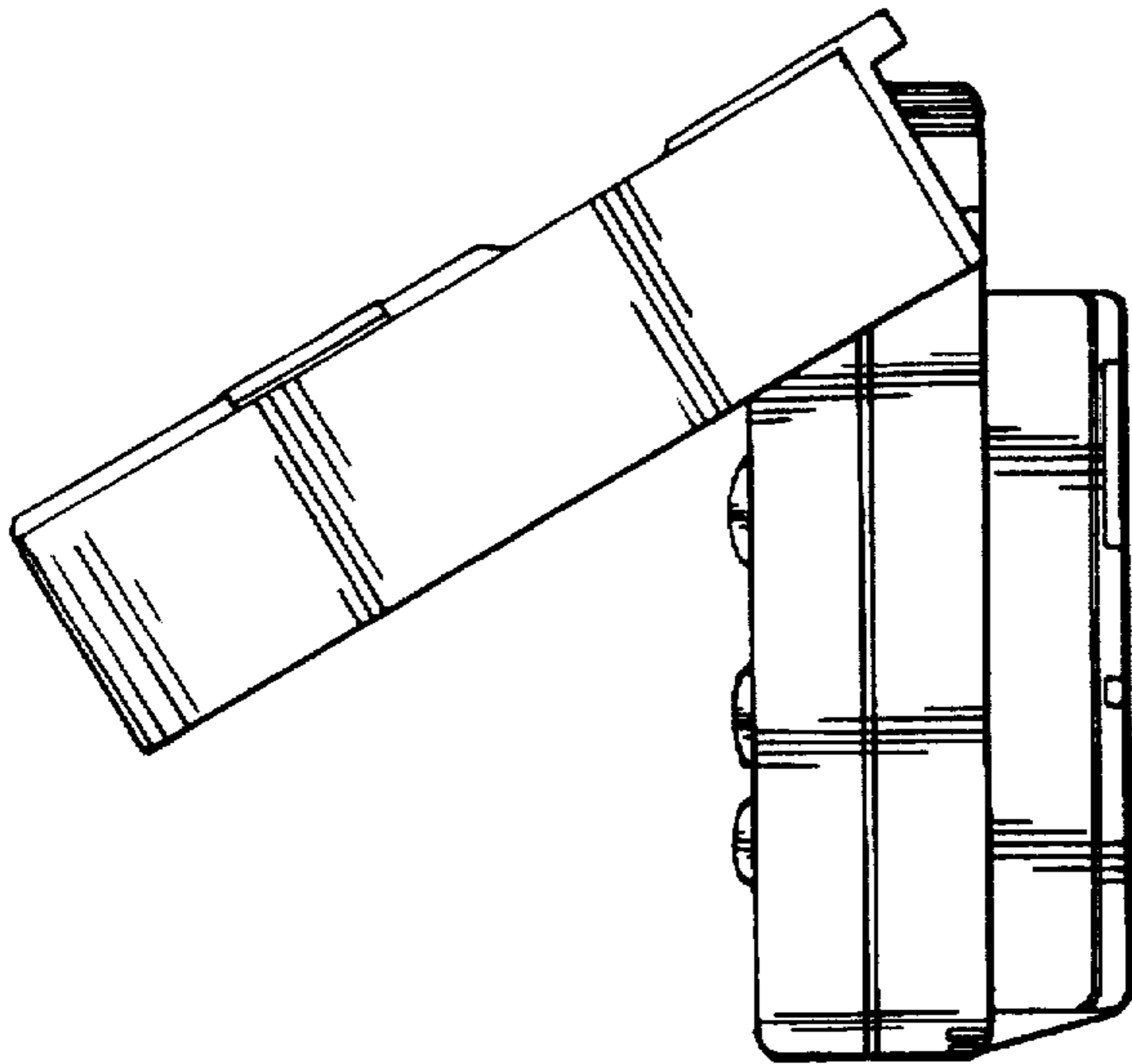


Fig-7

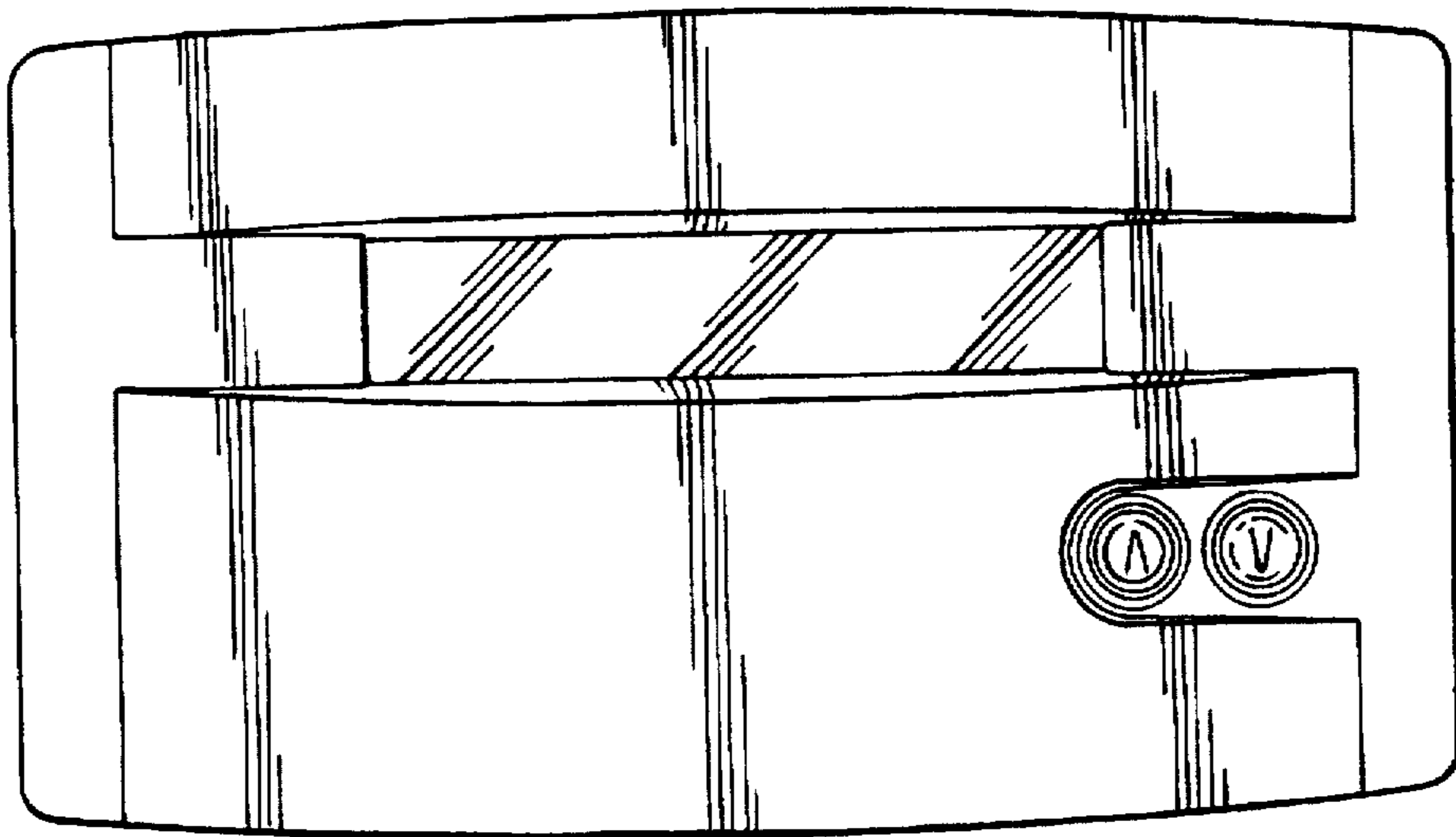


Fig-8

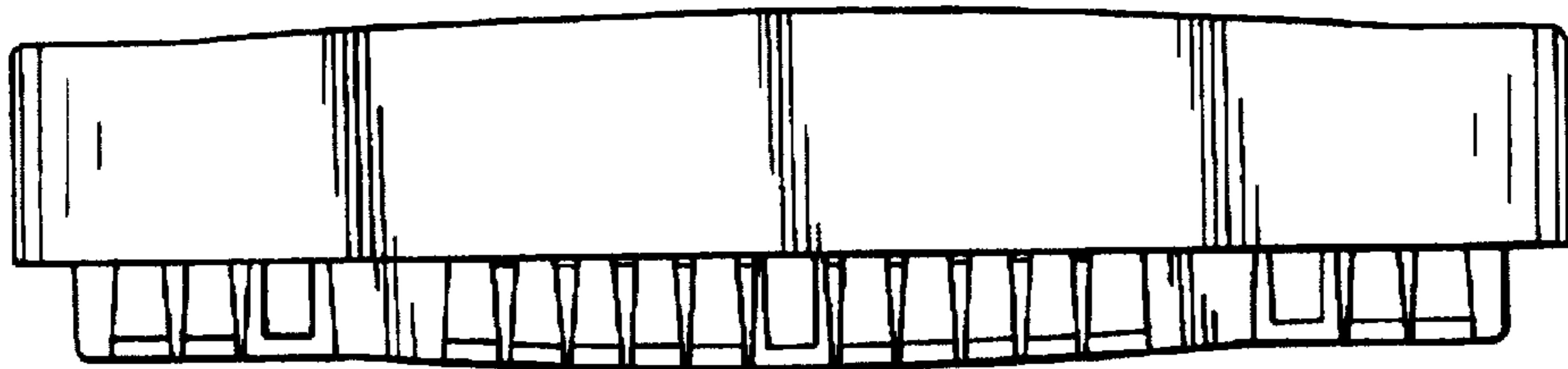


Fig-11

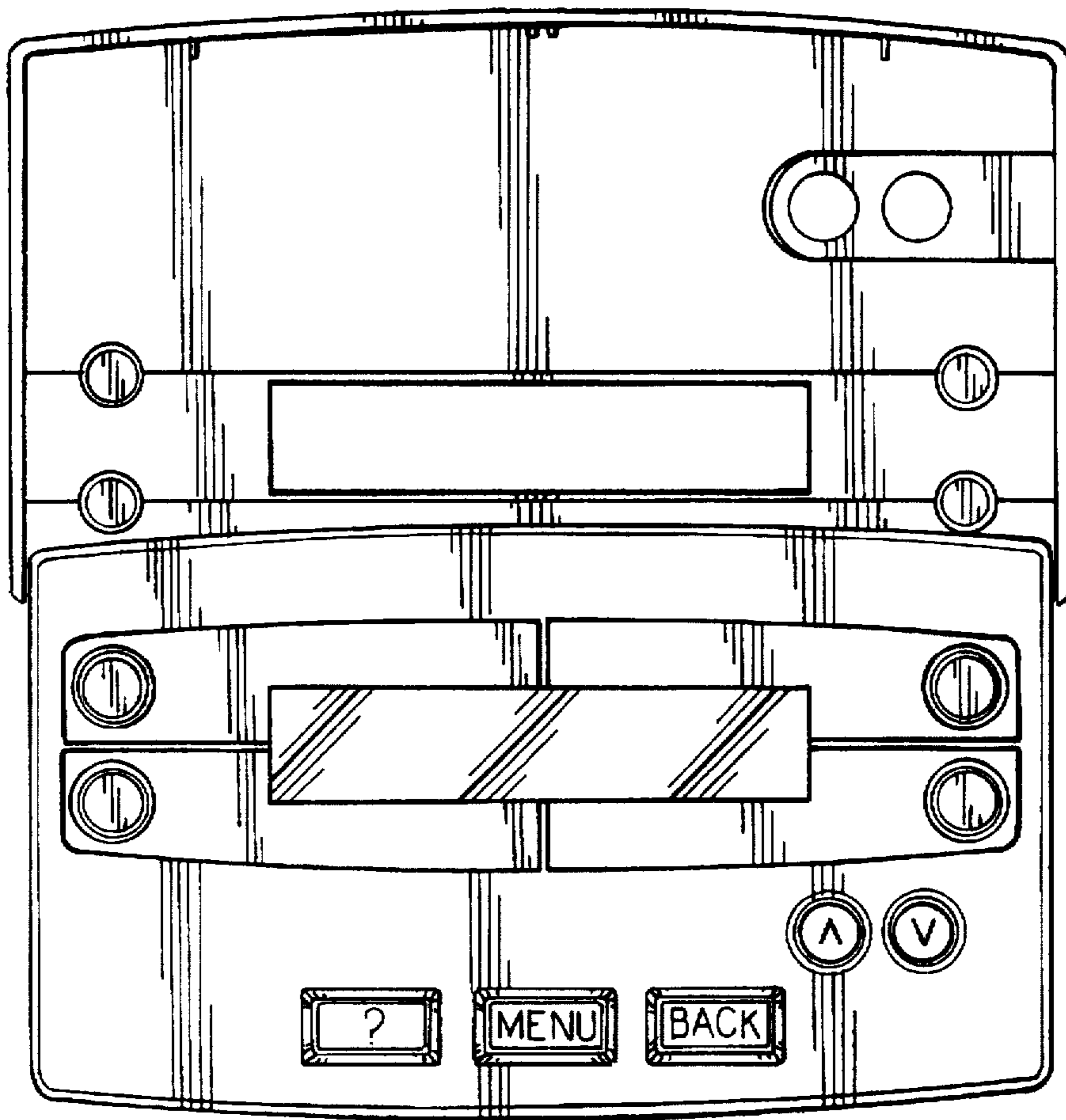


Fig-9

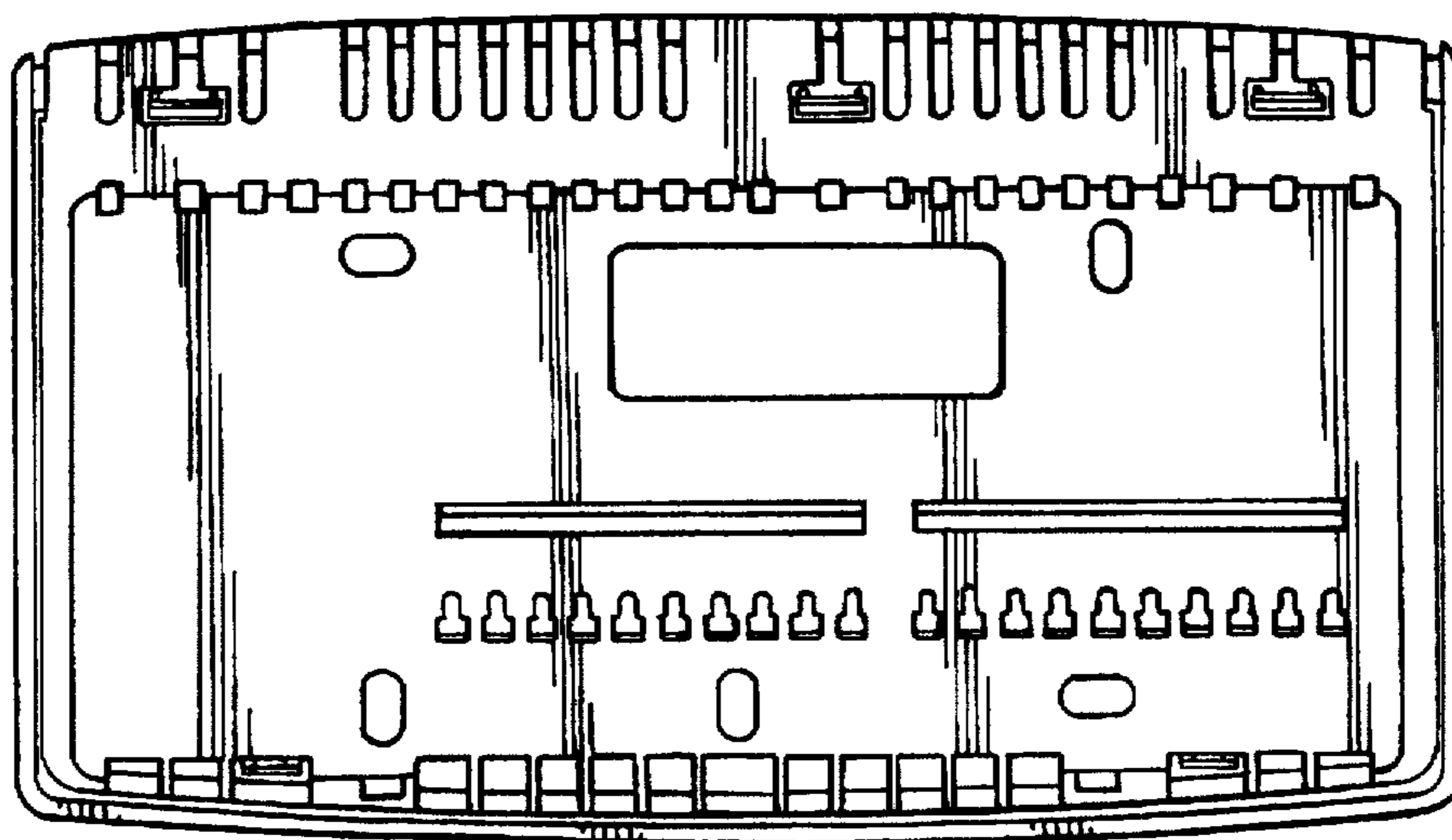


Fig-10