



US00D394214S

United States Patent [19]
Sang

[11] **Patent Number: Des. 394,214**
[45] **Date of Patent: **May 12, 1998**

[54] **CASING FOR A WATCH**
[75] **Inventor: Daniel Lai Kong Sang, Flat, Hong Kong**
[73] **Assignee: Timex Corp, Middlebury, Conn.**
[**] **Term: 14 Years**
[21] **Appl. No.: 57,781**
[22] **Filed: Jul. 31, 1996**
[51] **LOC (6) Cl. 10-02**
[52] **U.S. Cl. D10/30; D10/39**
[58] **Field of Search D10/1-40, 122-132; 368/280-282, 276-277, 285**

D. 369,750 5/1996 Riley D10/30
D. 378,738 4/1997 Gazzola D10/30

Primary Examiner—Nelson C. Holtje
Attorney, Agent, or Firm—Paul R. Juhasz

[57] **CLAIM**

The ornamental design for a “casing for a watch”, as shown and described.

DESCRIPTION

FIG. 1 is a perspective elevational view of a “casing for a watch”;
FIG. 2 is a left side elevational view thereof;
FIG. 3 is a top plan view thereof;
FIG. 4 is a right side elevational view thereof;
FIG. 5 is an elevational view of a bottom side thereof;
FIG. 6 is an elevational view of a top side thereof; and,
FIG. 7 is a bottom plan view thereof.

[56] **References Cited**

U.S. PATENT DOCUMENTS

D. 352,250 11/1994 Giardiello D10/39

1 Claim, 2 Drawing Sheets

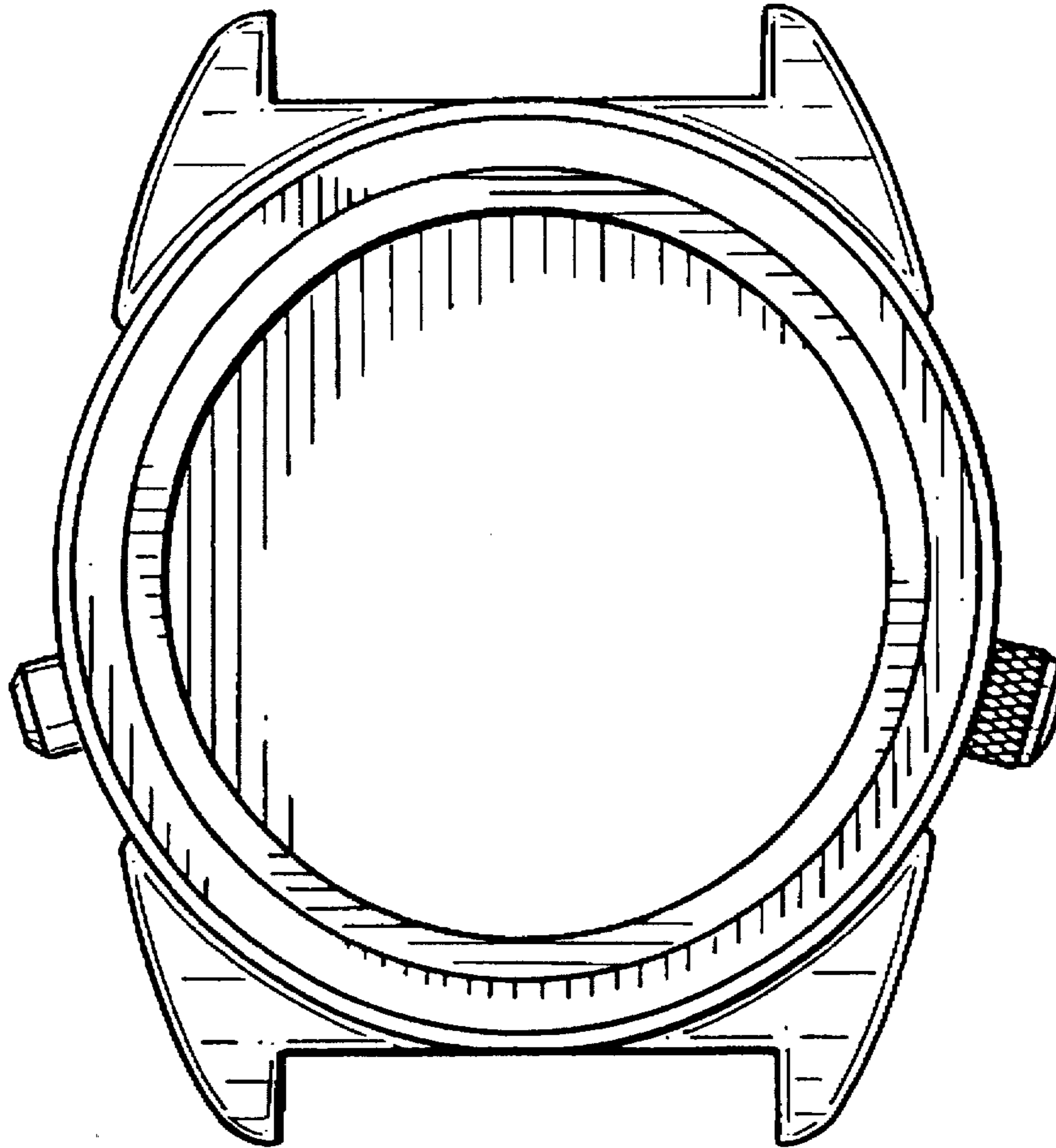


FIG. 1

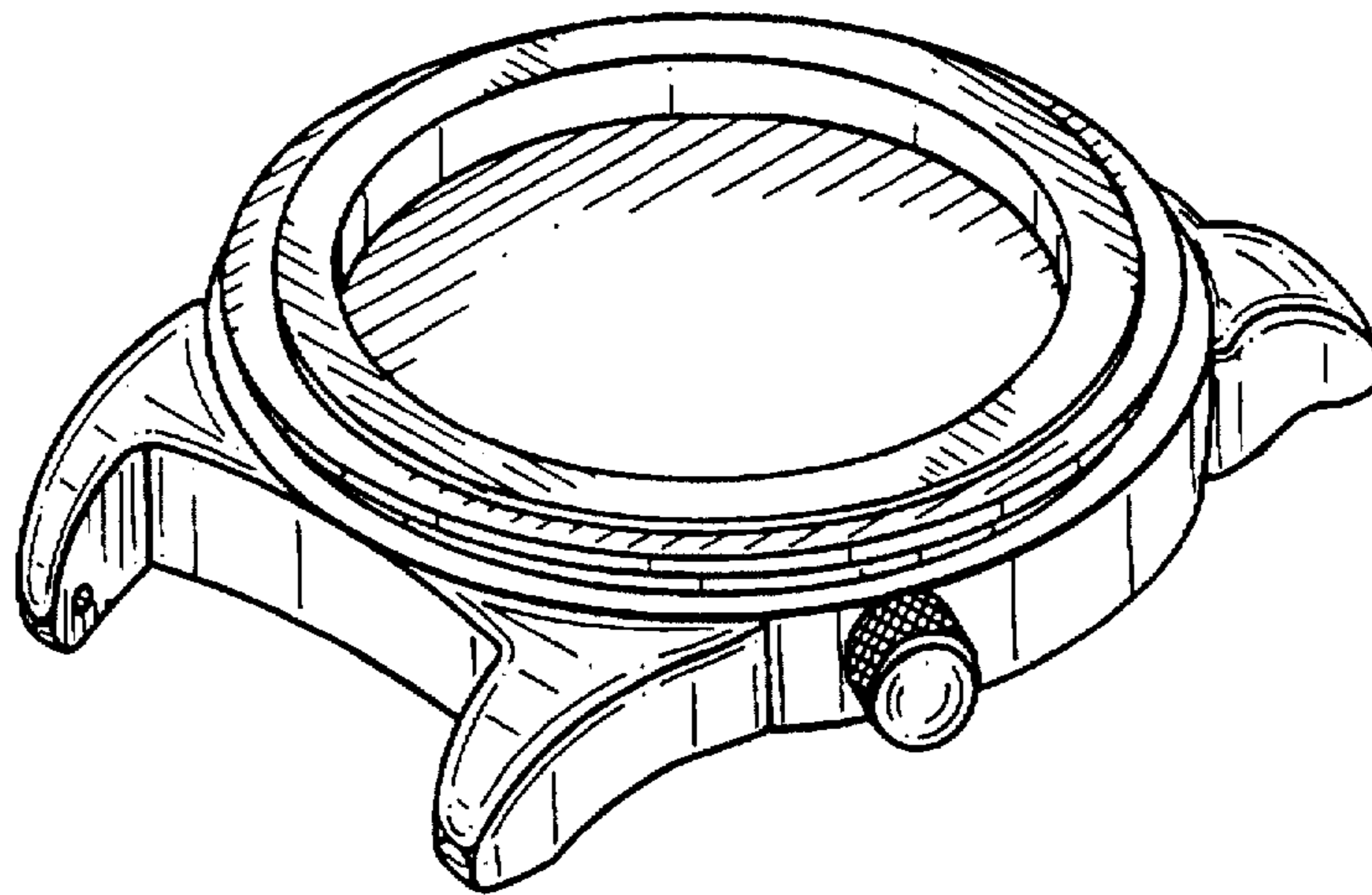


FIG. 7

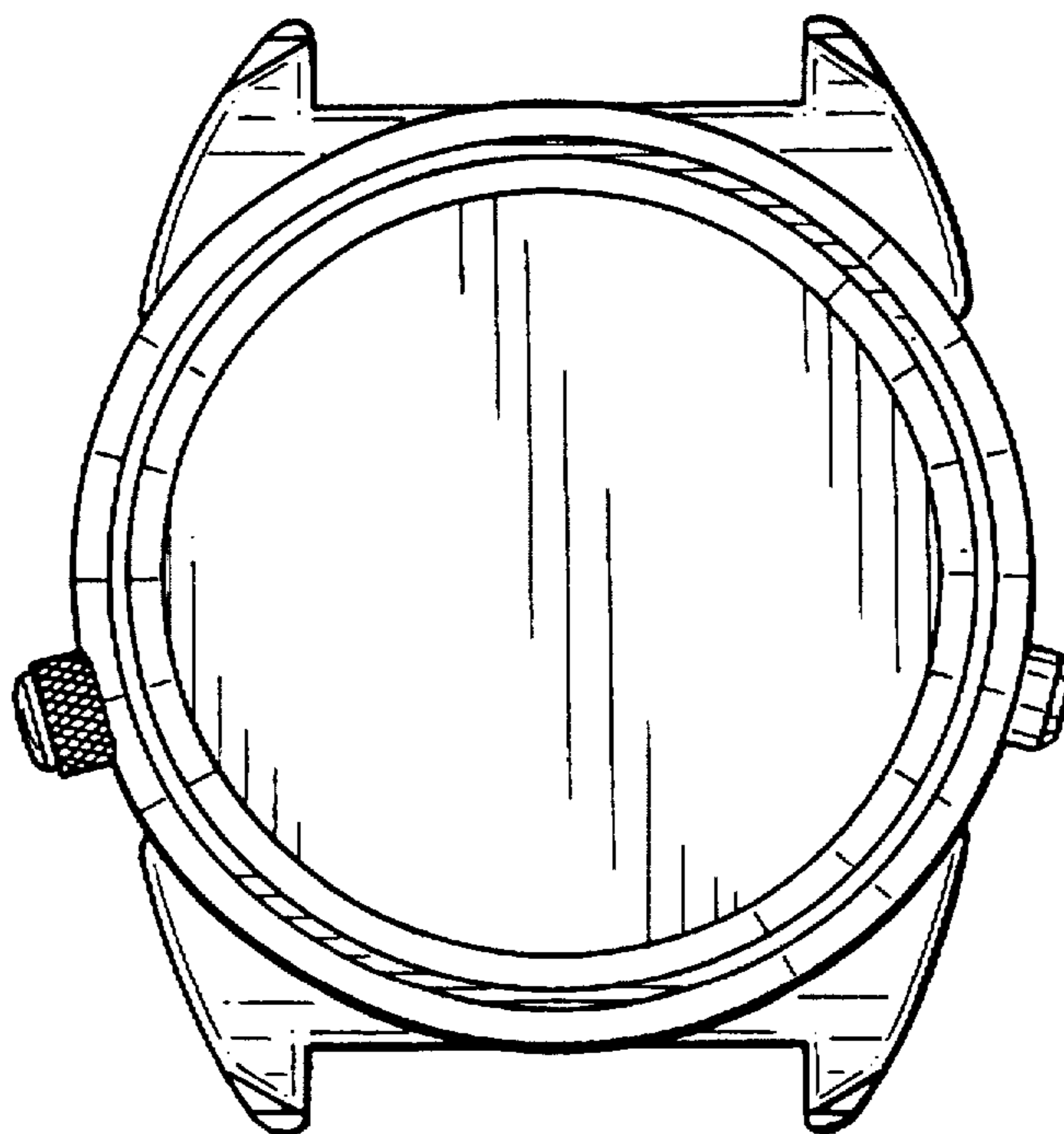


FIG. 2

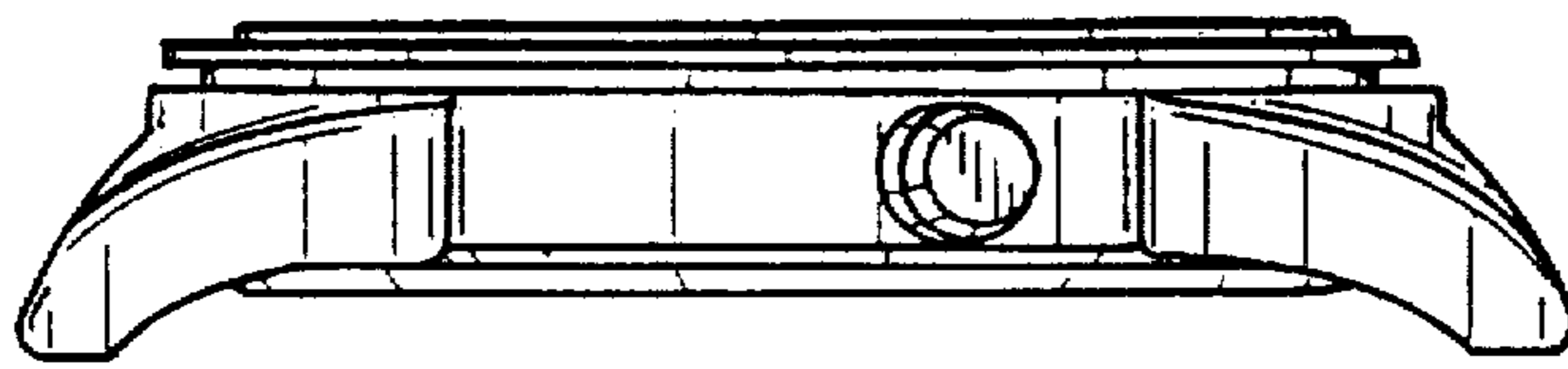


FIG. 3

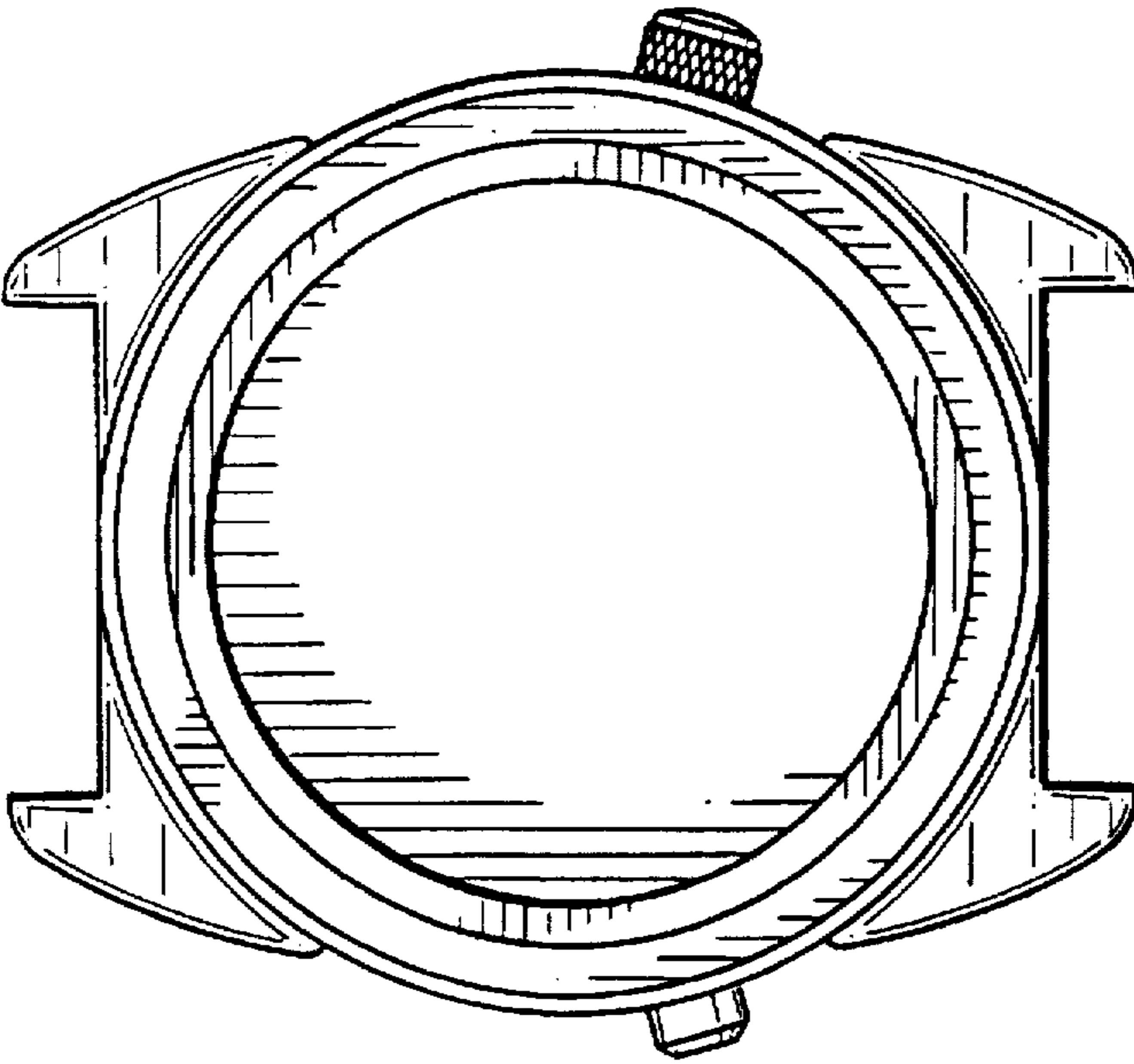


FIG. 4

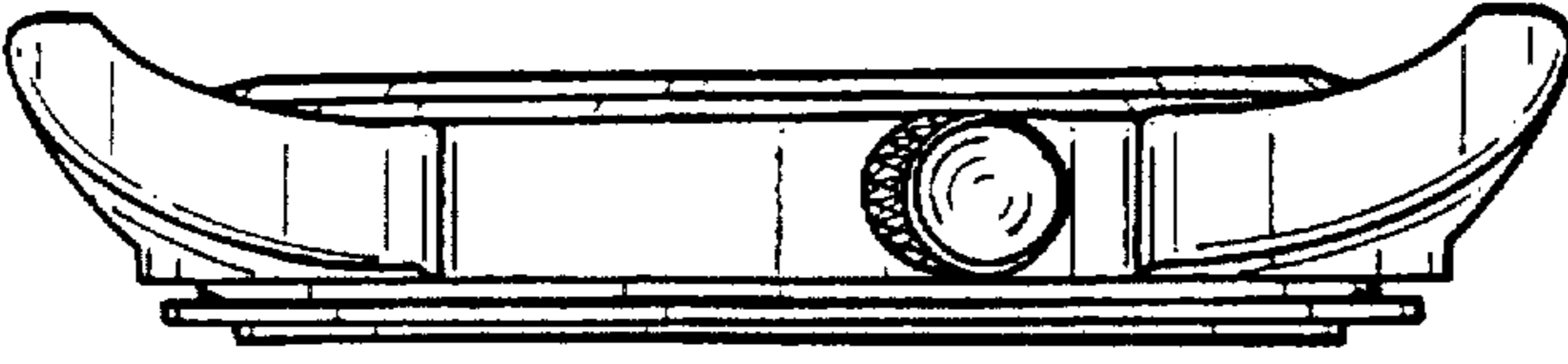


FIG. 5

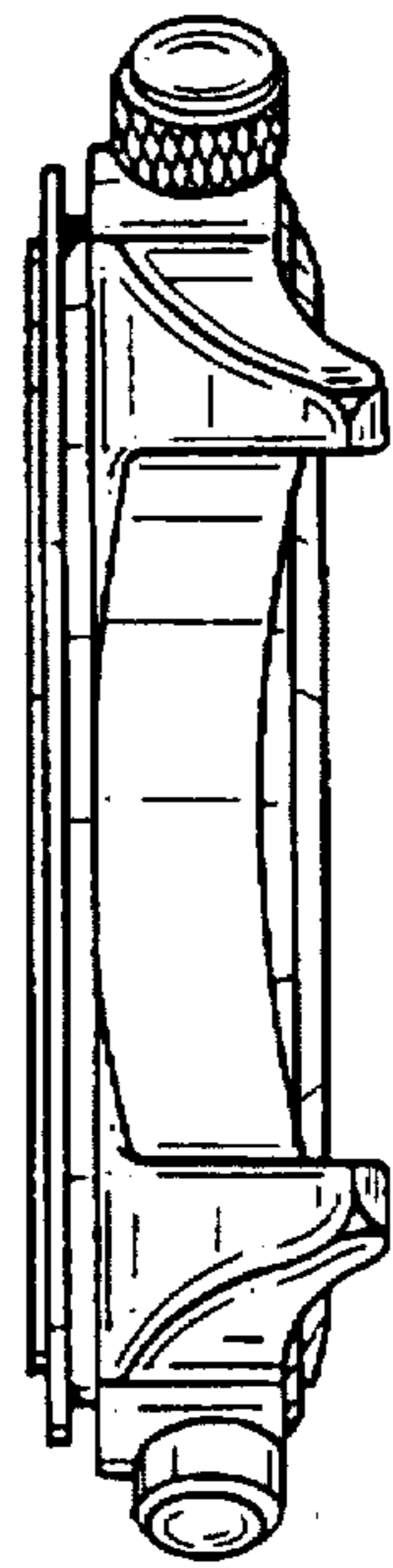


FIG. 6

