



US00D394212S

United States Patent [19]
Mazda

[11] **Patent Number:** **Des. 394,212**
[45] **Date of Patent:** ****May 12, 1998**

[54] **BELLOWS CONTAINER**
[76] Inventor: **Masayosi Mazda**, No. 70, 3 Chome
Ohno-Cho Kakamihara, Gifu 504, Japan
[**] Term: **14 Years**
[21] Appl. No.: **58,640**
[22] Filed: **Aug. 13, 1996**

5,137,183 8/1992 Mikulec et al. 222/525 X
5,333,761 8/1994 Davis et al. .
5,573,129 11/1996 Nagata et al. 220/666 X

FOREIGN PATENT DOCUMENTS

56-100347 of 1981 Japan .
59-168350 of 1984 Japan .
59-174474 of 1984 Japan .
60-169143 of 1985 Japan .
04-7478 of 1992 Japan .

Related U.S. Application Data

[63] Continuation-in-part of Ser. No. 25,816, Jun. 30, 1994, Pat.
No. Des. 372,667.

OTHER PUBLICATIONS

Strawbridge & Clothier, May 1960, p. 2. (Accordion Gift
Container; Item 2D).
Starcrest of California, *Bellow Bottles*.

Foreign Application Priority Data

Apr. 26, 1994 [JP] Japan 6-12316

Primary Examiner—James Gandy
Assistant Examiner—Cathron B. Matta
Attorney, Agent, or Firm—Adams Law Firm, P.A.

[51] **LOC (6) Cl.** **09-01**
[52] **U.S. Cl.** **D9/557; D9/502**
[58] **Field of Search** D9/301, 502, 557;
D7/512, 532; 215/382, 900; 220/6, 8, 666;
222/92, 95, 105, 107, 212, 321.7, 525

[57] **CLAIM**

The ornamental design for a bellows container, as shown and
described.

[56] **References Cited**

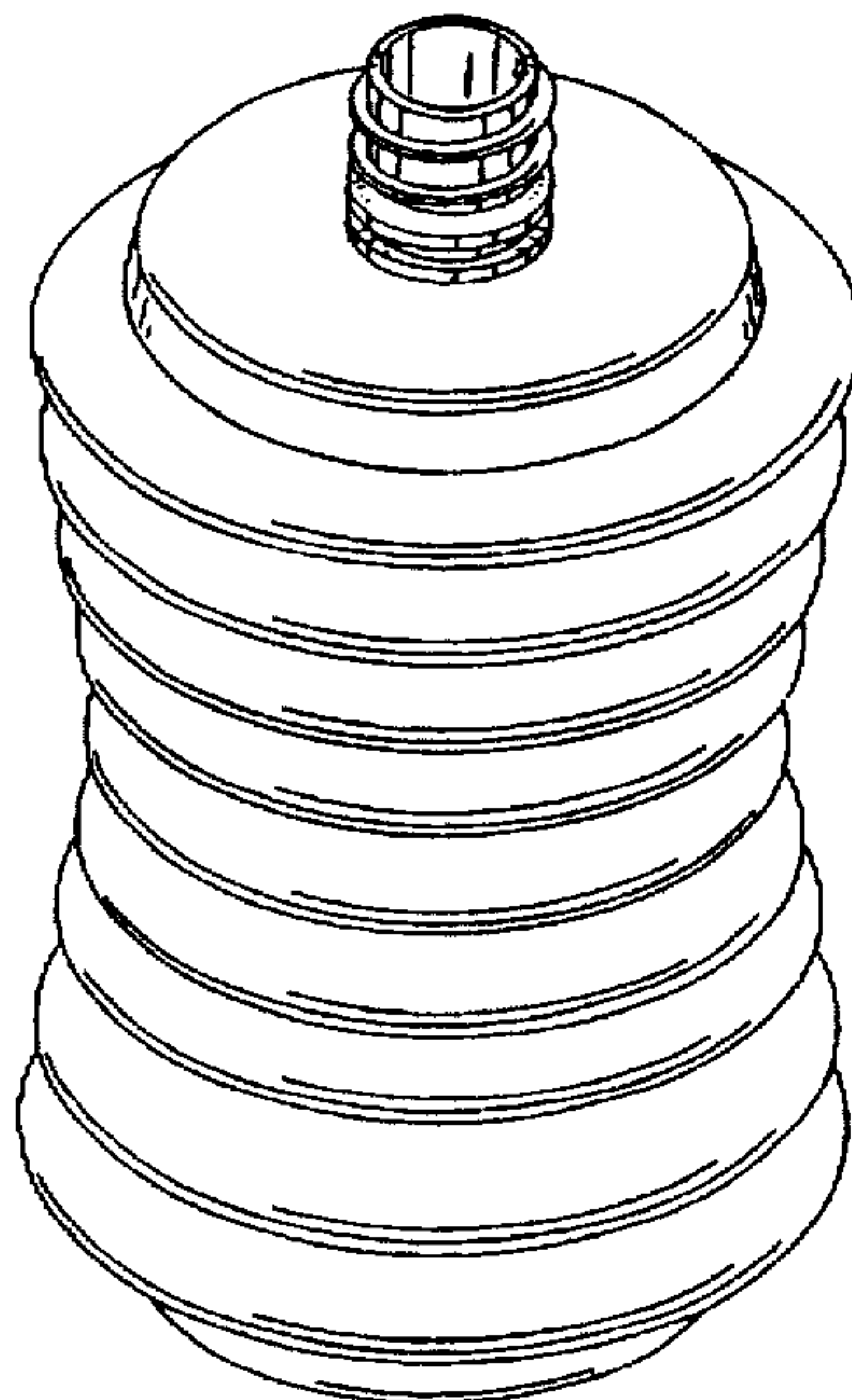
DESCRIPTION

U.S. PATENT DOCUMENTS

D. 229,034 11/1973 Miller et al. .
D. 246,028 10/1977 McNab .
D. 279,406 6/1985 Shiu D9/502 X
D. 287,462 12/1986 Bussell D9/502 X
D. 372,667 8/1996 Mazda D9/301
D. 372,669 8/1996 Mazda D9/301
2,441,649 5/1948 Sprague .
2,780,378 2/1957 Romano 215/900 X
3,143,429 8/1964 Swanson et al. .
3,390,821 7/1968 Mullan 222/212
3,506,163 4/1970 Rauh et al. .
3,833,154 9/1974 Markowitz 222/212
3,939,887 2/1976 Scarnato .
3,939,888 2/1976 Scarnato .
4,187,960 2/1980 Bonk 222/107
4,457,455 7/1984 Meshberg 222/321.7 X
4,873,100 10/1989 Dirksing et al. 215/382 X

FIG. 1 is a perspective view of the bellows container;
FIG. 2 is a right side elevational view, the left side being a
mirror image thereof;
FIG. 3 is a top end view thereof;
FIG. 4 is a bottom end view thereof;
FIG. 5 is a front side elevational view, the back side being
a mirror image thereof;
FIG. 6 is a right side elevational view of the container when
compressed, the left side being a mirror image thereof;
FIG. 7 is a front side elevational view of the container when
compressed, the back side being a mirror image thereof;
FIG. 8 is a cross-sectional view taken substantially along
line 8—8 of FIG. 3; and,
FIG. 9 is a cross-sectional view taken substantially along
line 9—9 of FIG. 6.

1 Claim, 5 Drawing Sheets



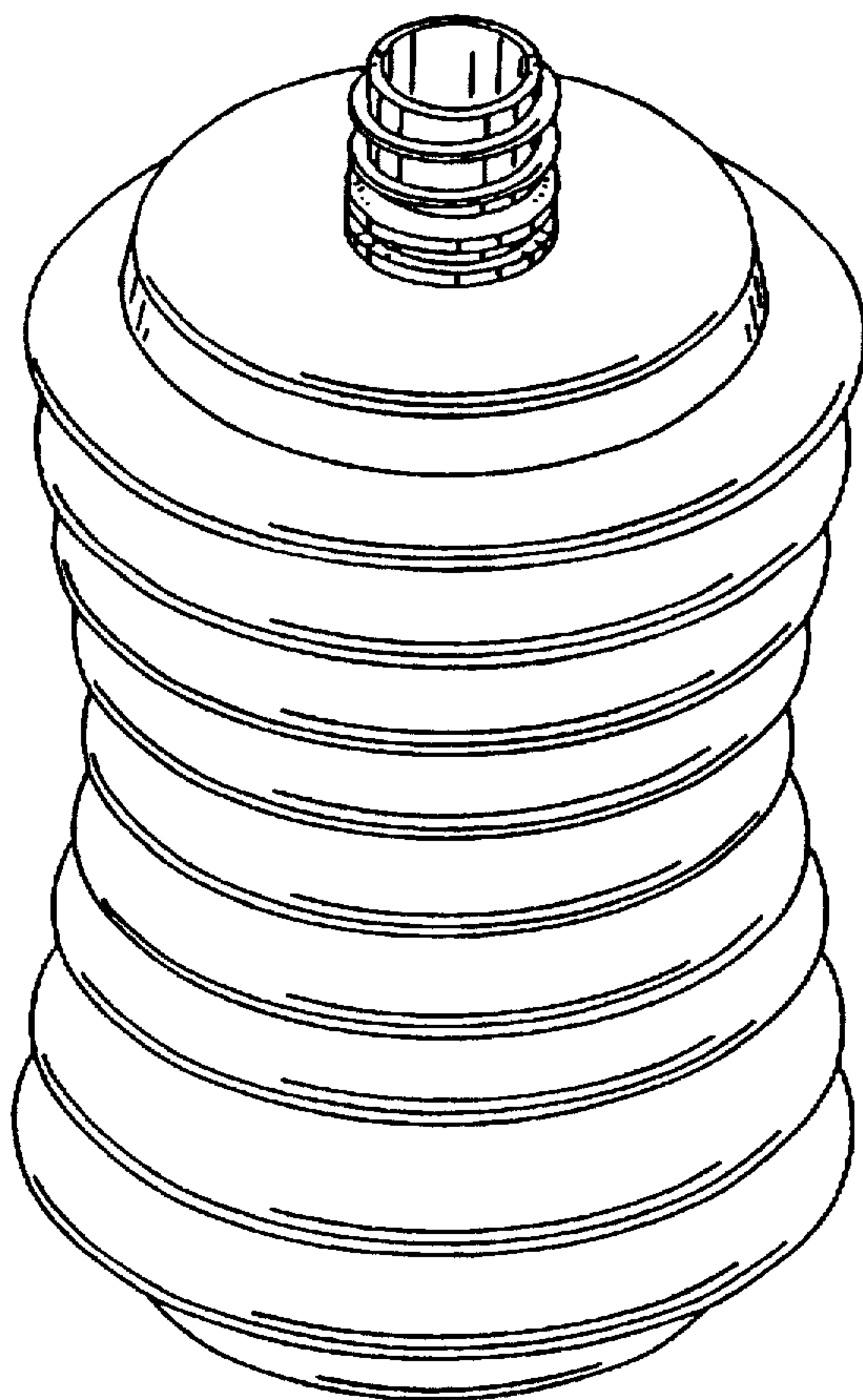


FIG. 1

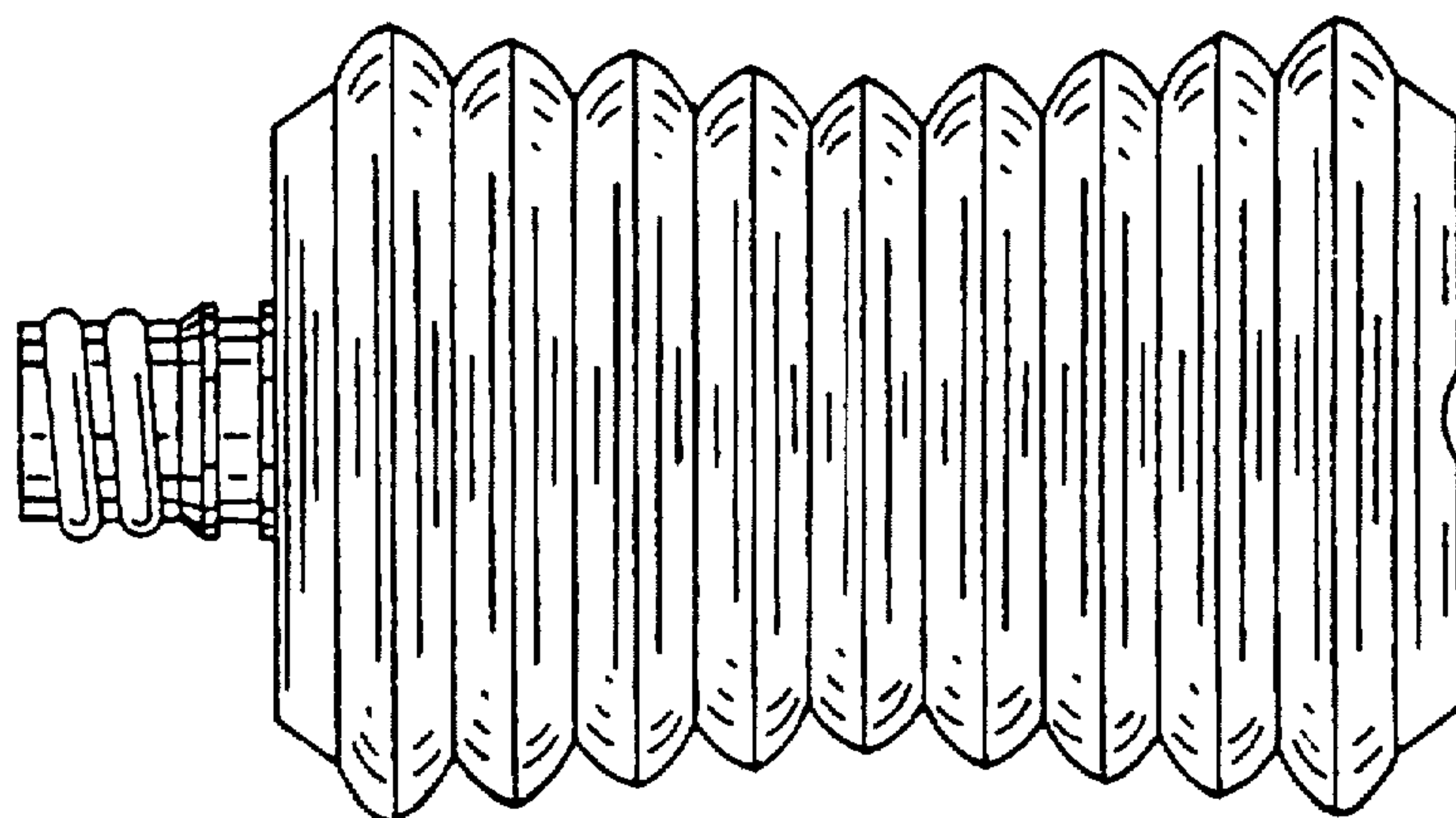


FIG. 2

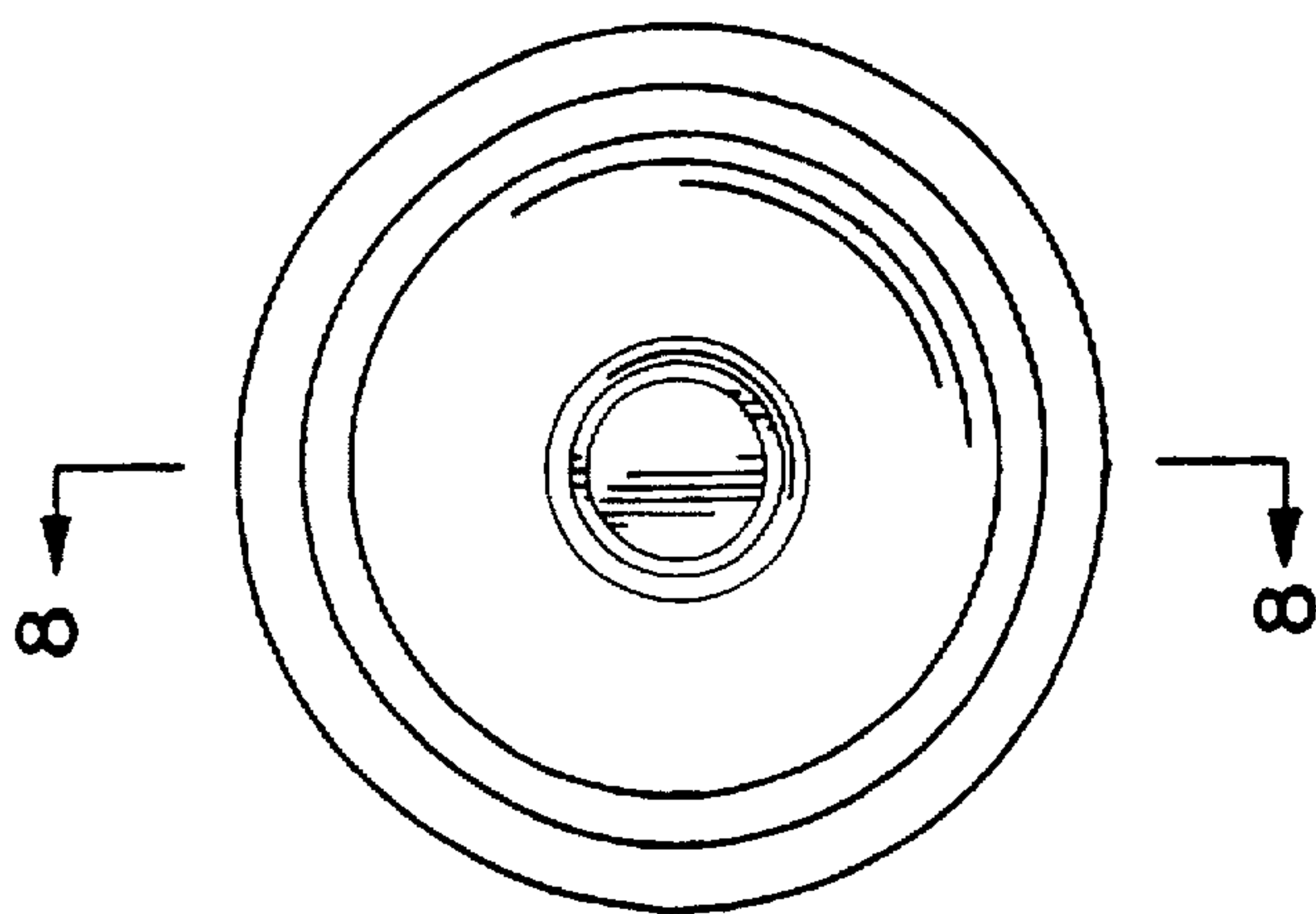


FIG. 3

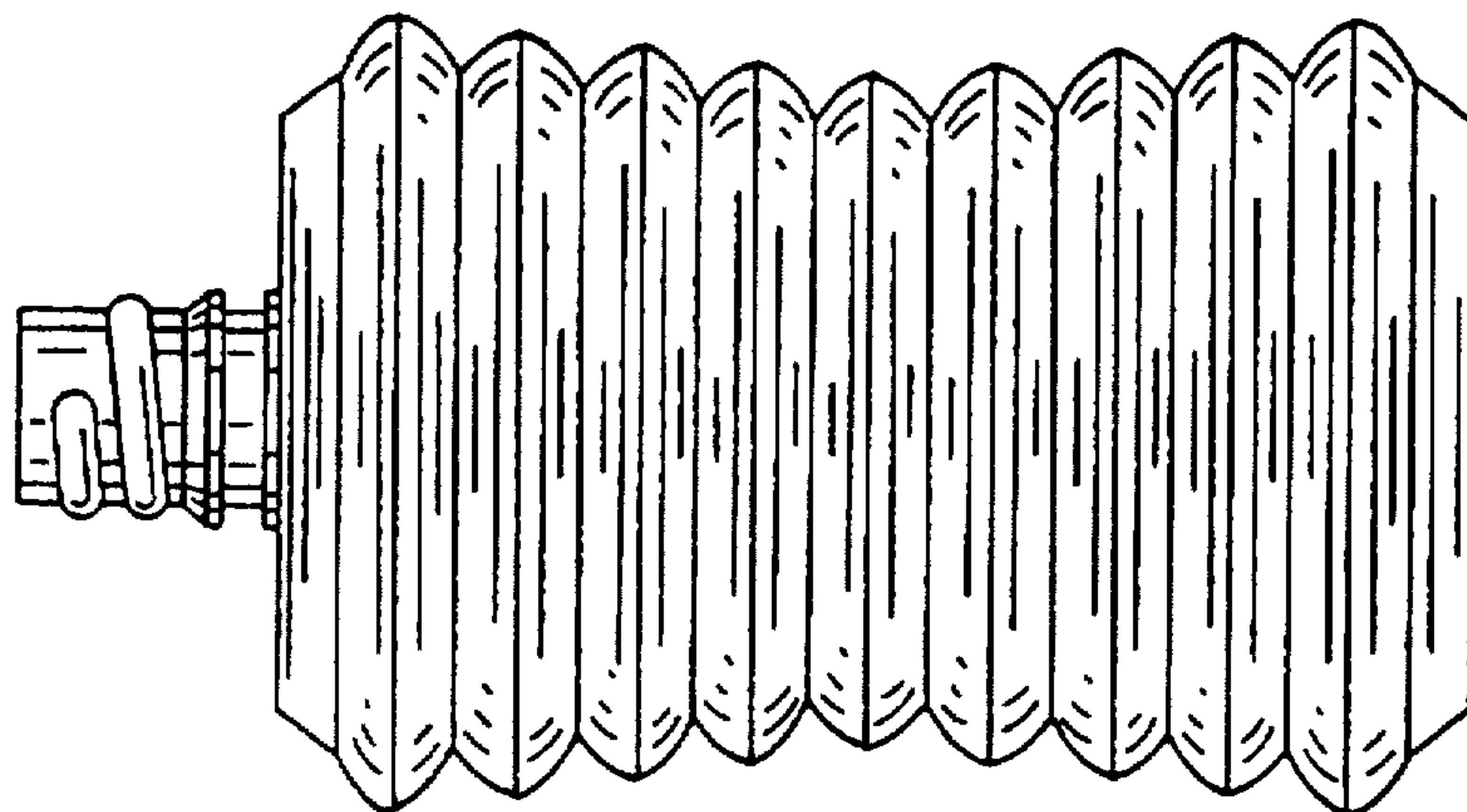


FIG. 5

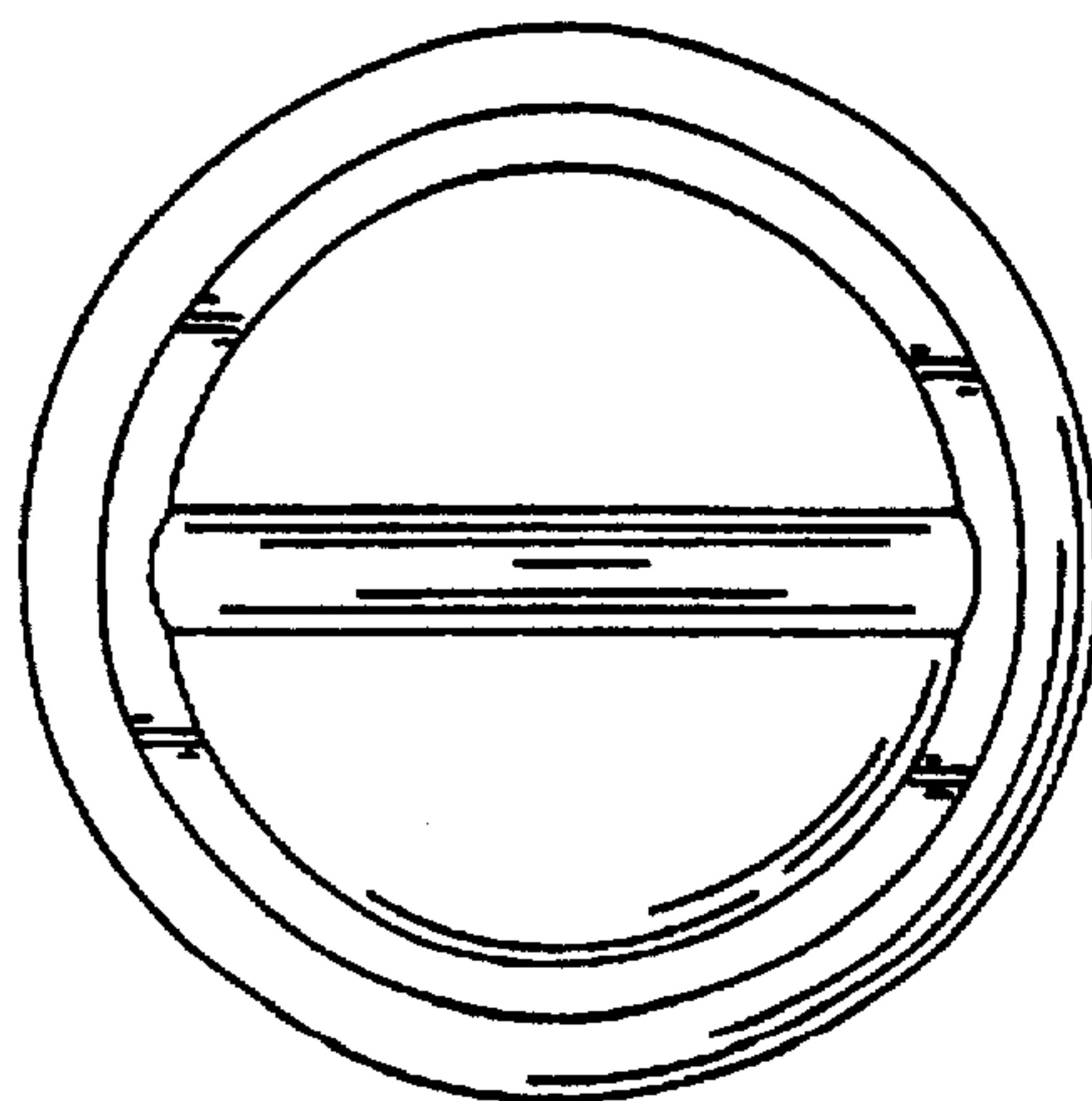


FIG. 4

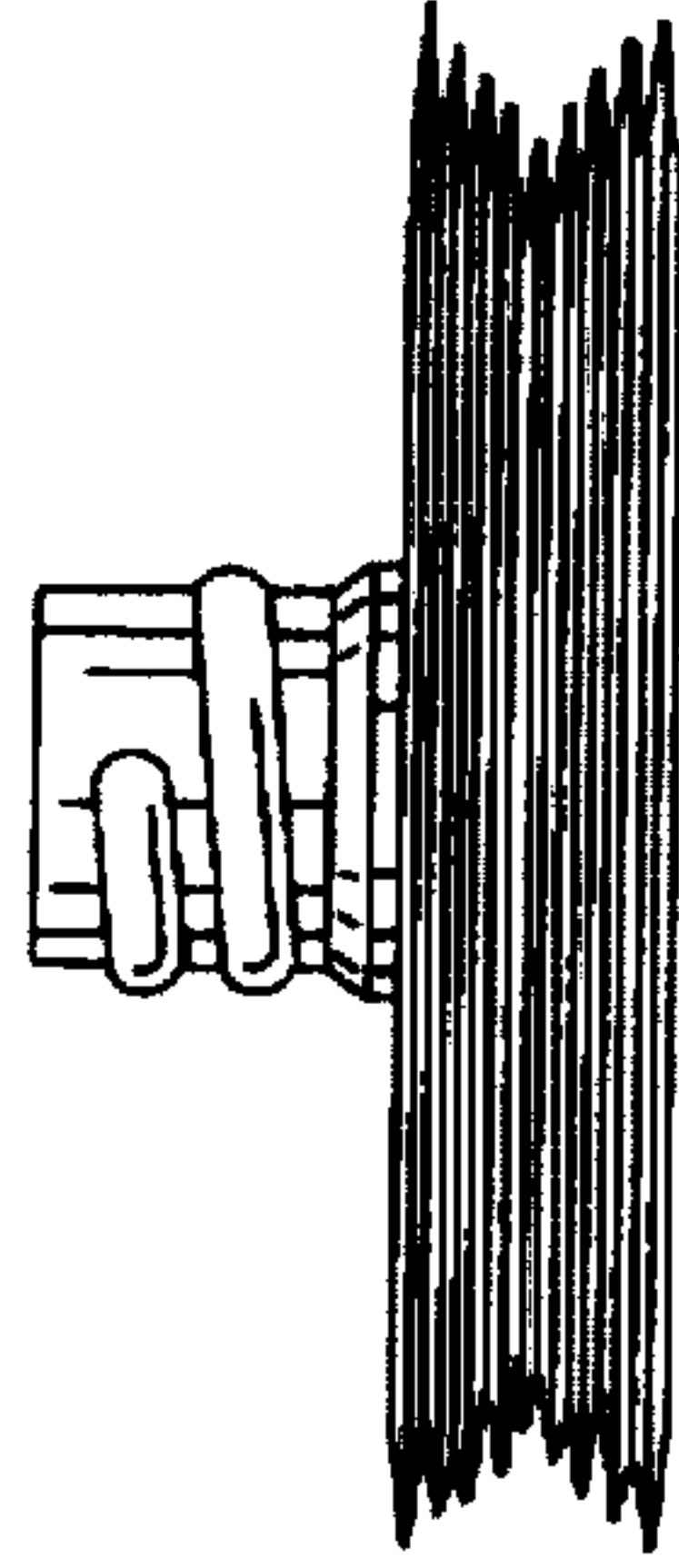
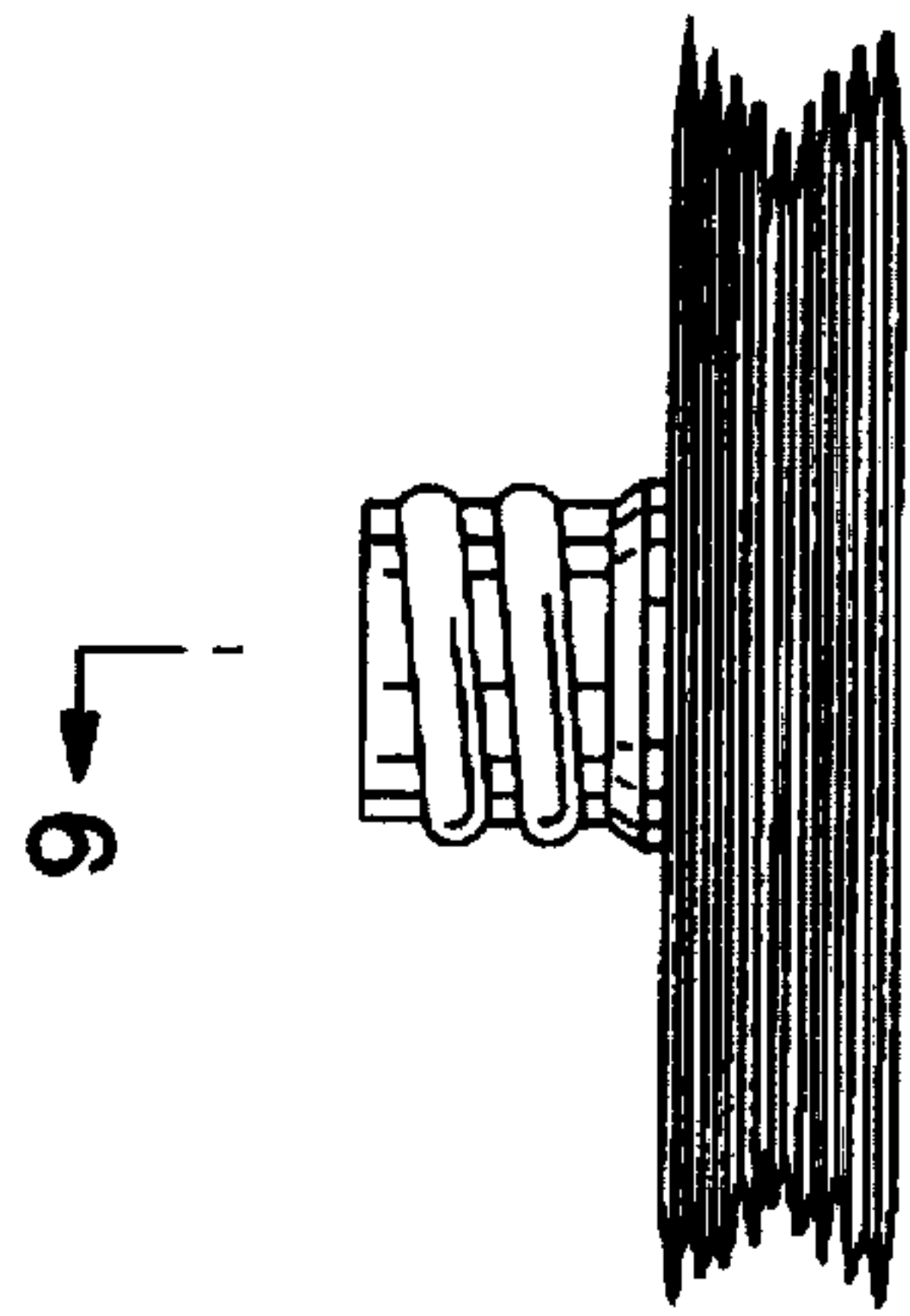


FIG. 7



9

FIG. 6

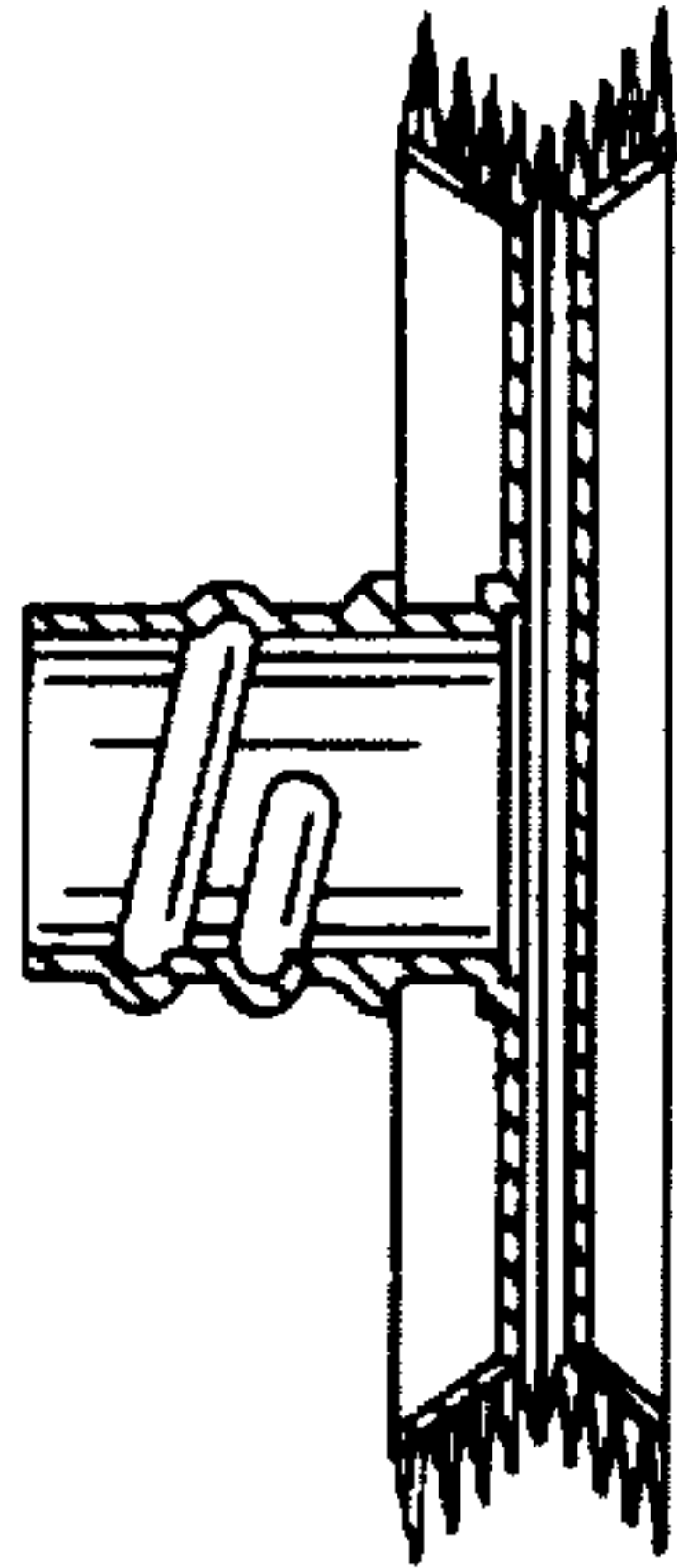


FIG. 9

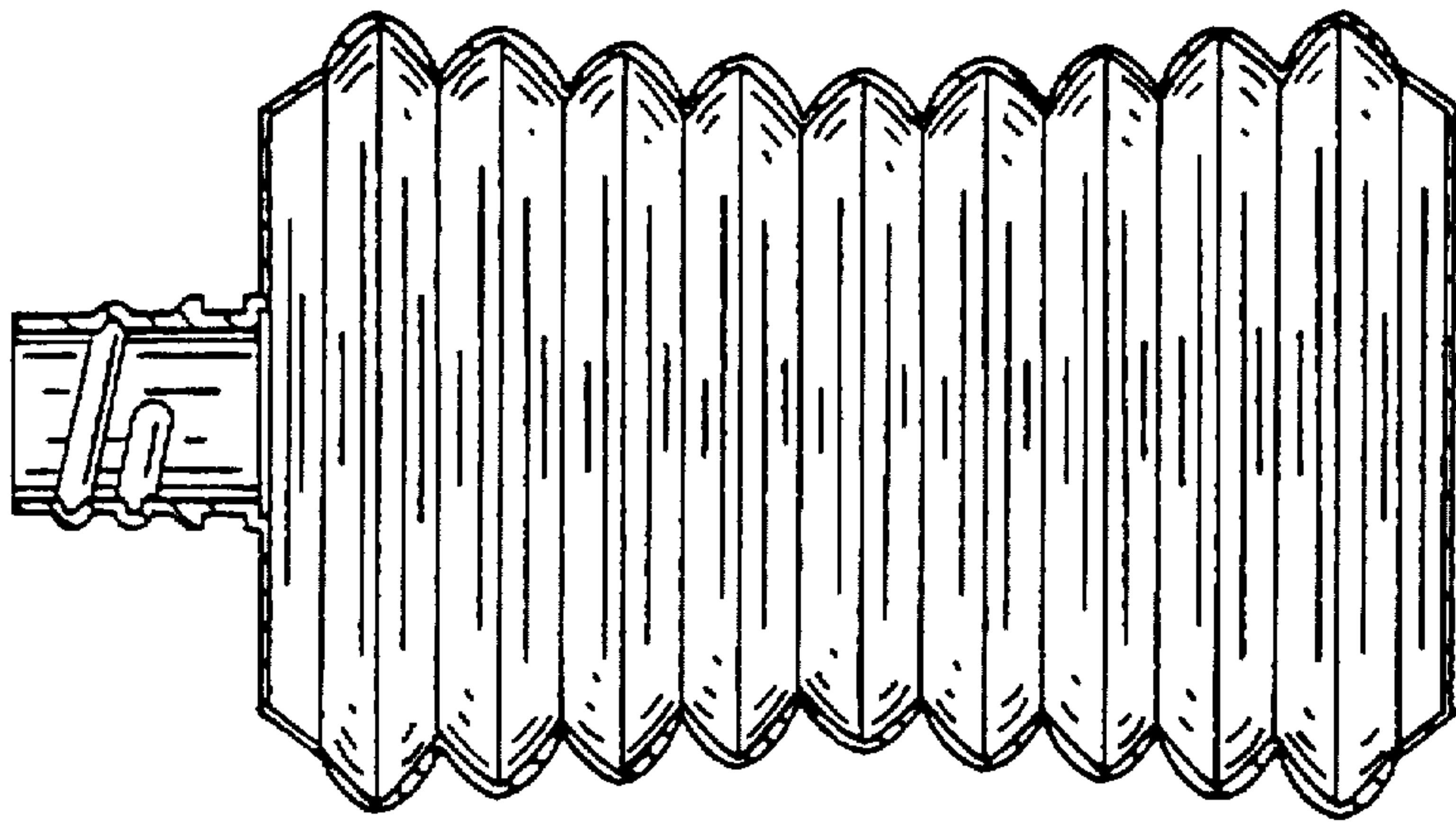


FIG. 8