

US00D394209S

United States Patent [19]
Millet

[11] **Patent Number: Des. 394,209**

[45] **Date of Patent: **May 12, 1998**

[54] **WINE BOTTLE HOLDER**

[75] **Inventor: Stéphane Millet, Paris, France**

[73] **Assignee: Garcon! Brands Limited, Ireland**

[**] **Term: 14 Years**

[21] **Appl. No.: 64,057**

[22] **Filed: Dec. 20, 1996**

[51] **LOC (6) Cl. 09-07**

[52] **U.S. Cl. D9/430; D7/619**

[58] **Field of Search D7/619; D9/430, D9/433, 455; 206/446; 229/89-91, 108**

[56] **References Cited**

U.S. PATENT DOCUMENTS

D. 373,531 9/1996 Cooksey D9/430

Primary Examiner—Terry A. Wallace

Attorney, Agent, or Firm—Sterne, Kessler, Goldstein & Fox P.L.L.C.

[57] **CLAIM**

The ornamental design for a wine bottle holder, as shown and described.

DESCRIPTION

FIG. 1 is a left side view of a wine bottle holder showing my new design;

FIG. 2 is a right side view thereof;

FIG. 3 is a front view thereof;

FIG. 4 is a rear view thereof;

FIG. 5 is a top plan view thereof;

FIG. 6 is a bottom plan view thereof;

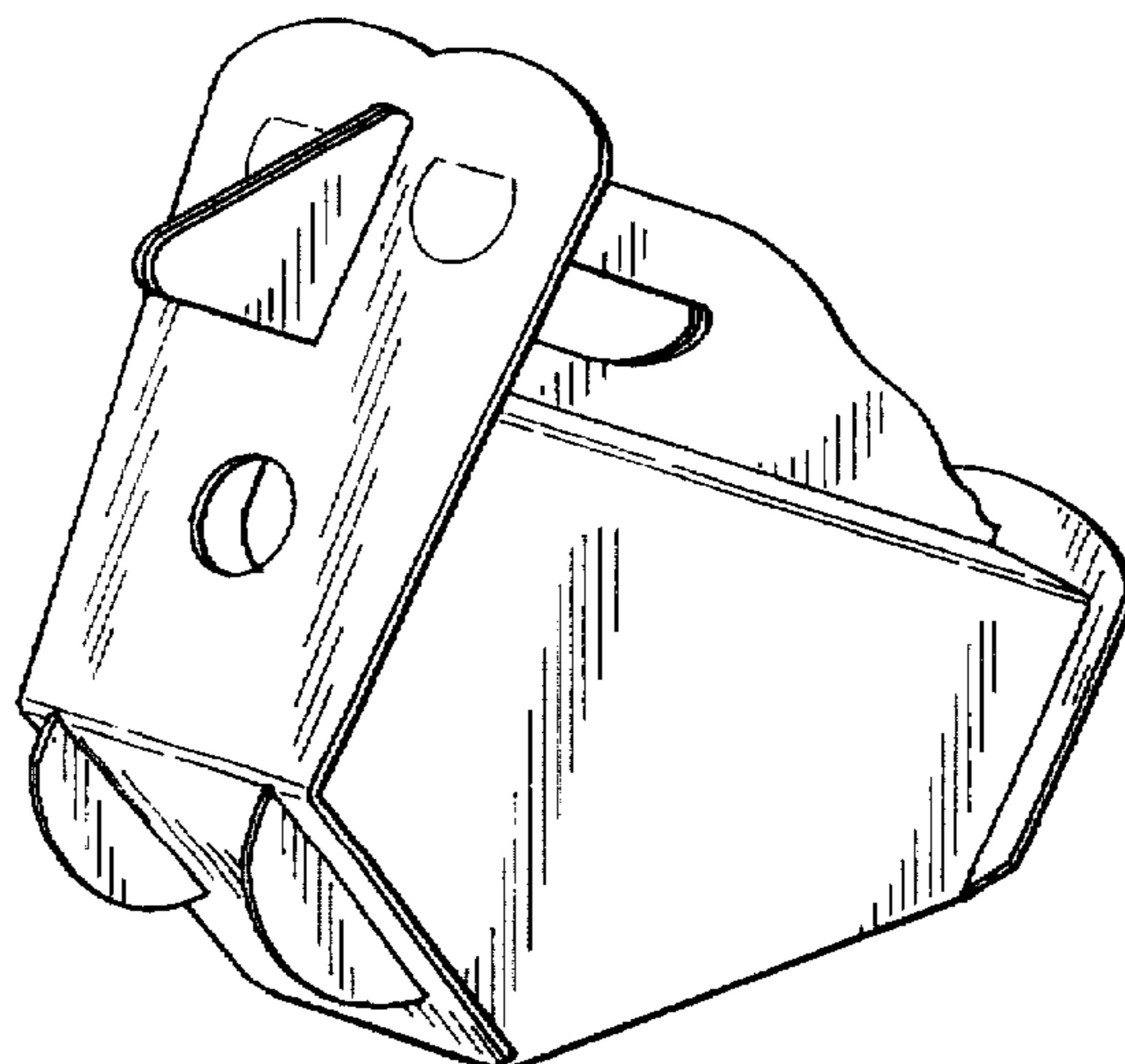
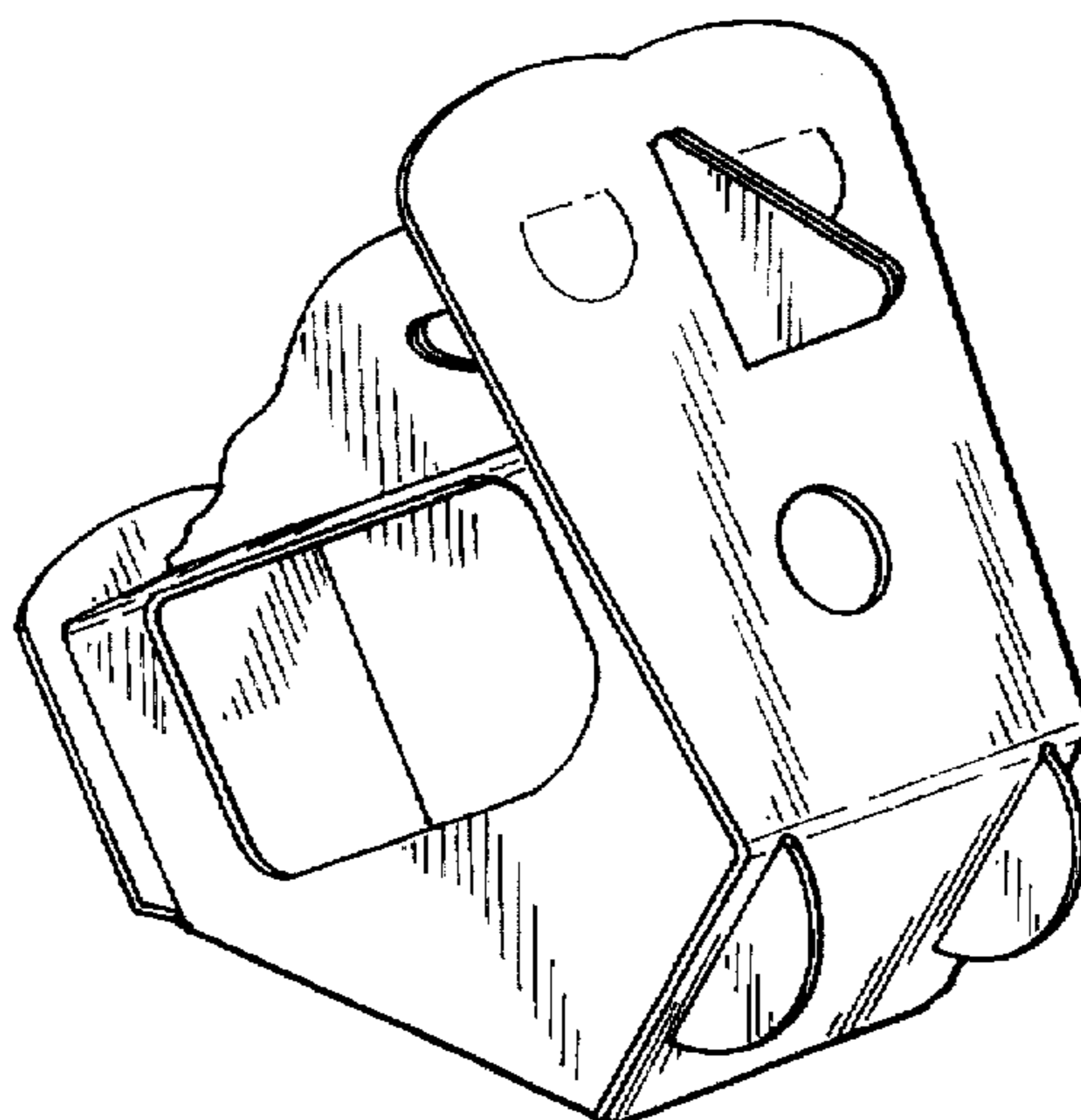
FIG. 7 is a left side perspective view thereof;

FIG. 8 is a right side perspective view thereof;

FIG. 9 is a top plan view of the blank for the wine bottle holder; and,

FIG. 10 is a bottom plan view of FIG. 9.

1 Claim, 5 Drawing Sheets



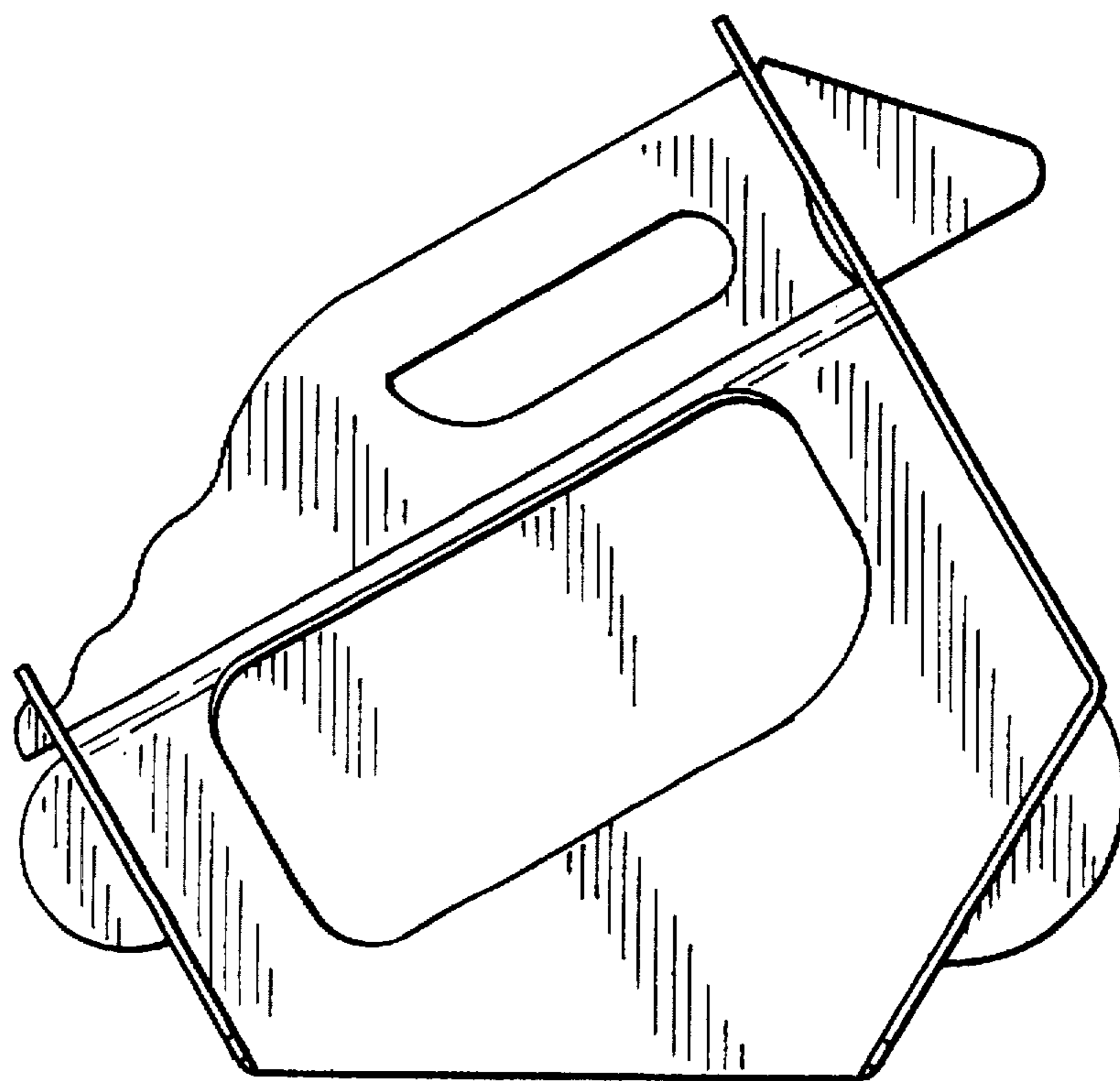


FIG. 1

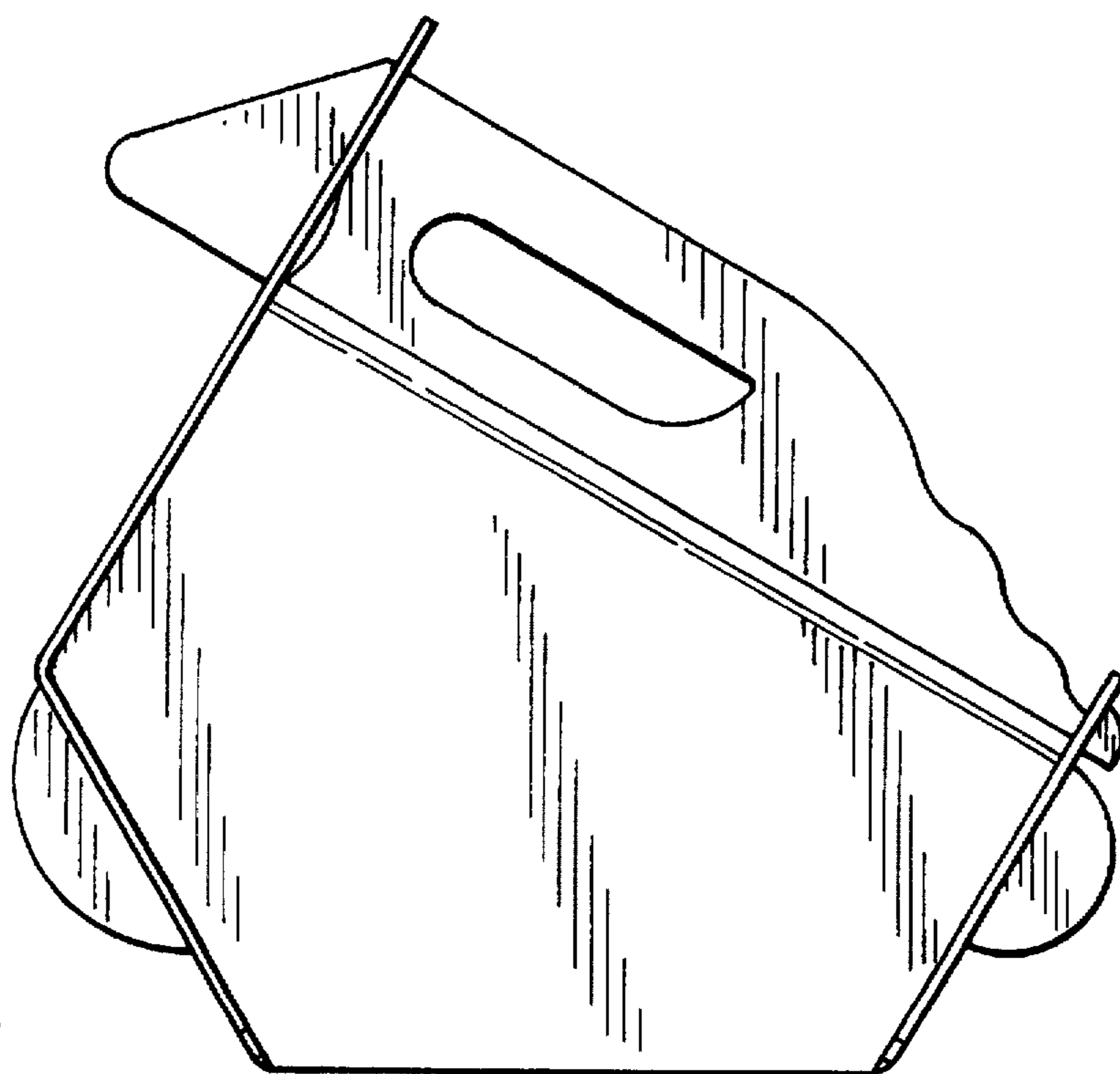


FIG. 2

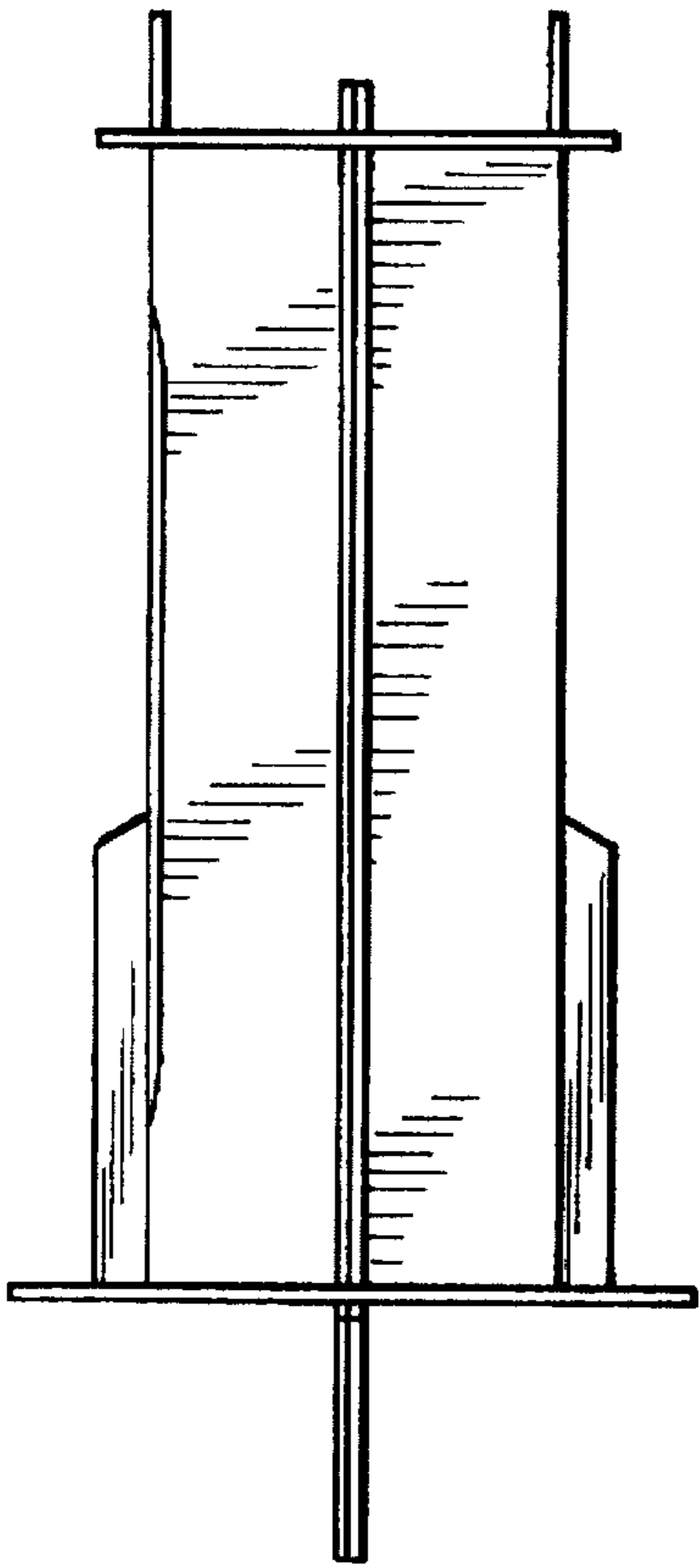


FIG. 5

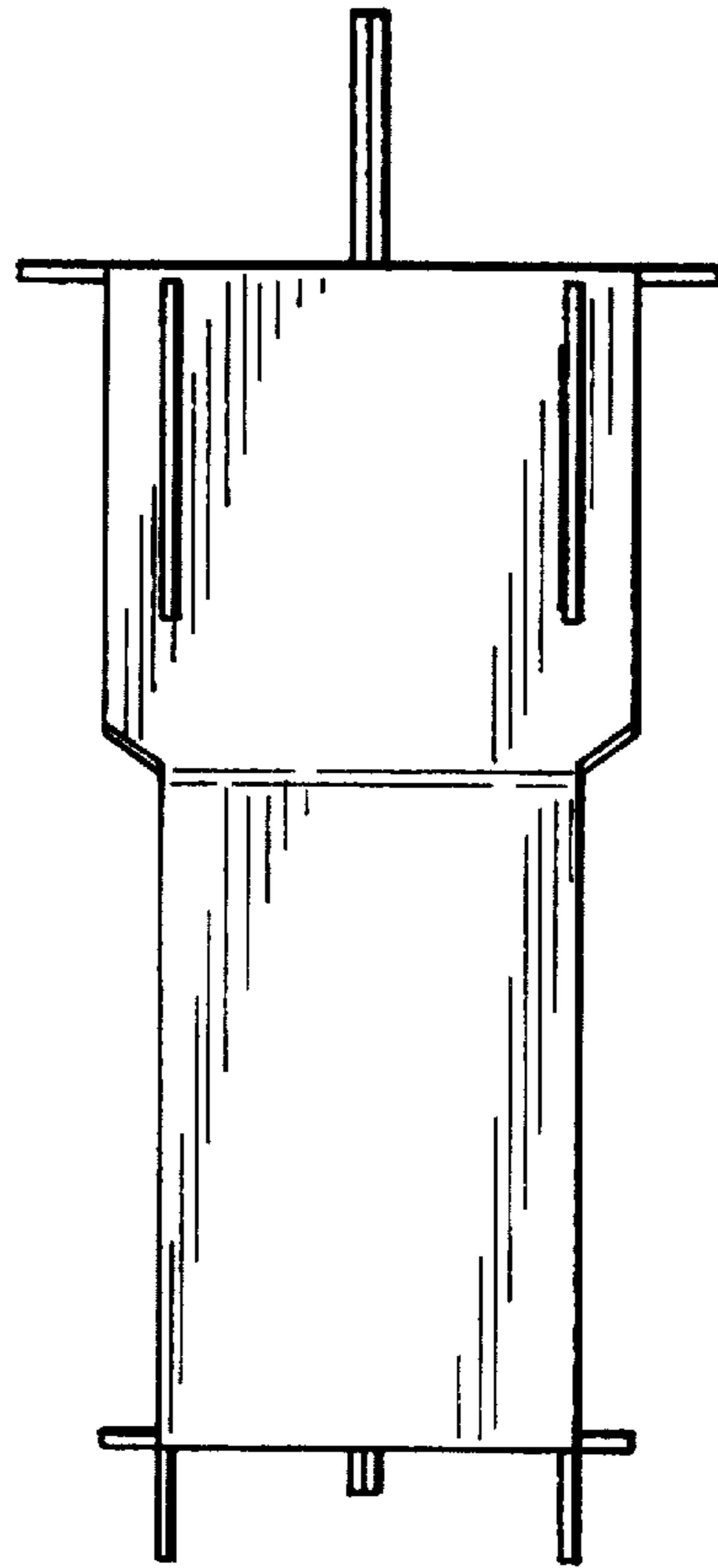


FIG. 6

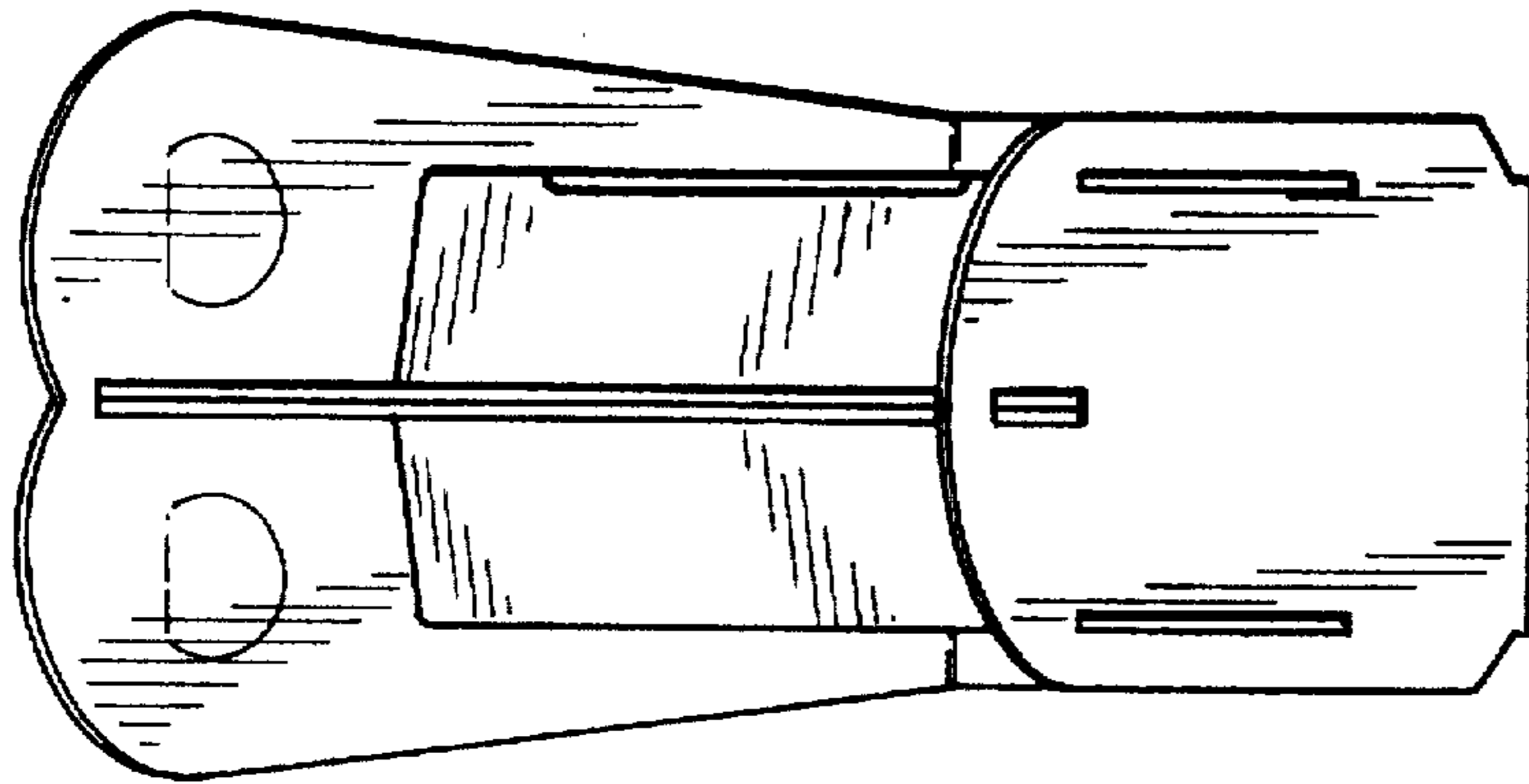


FIG. 4

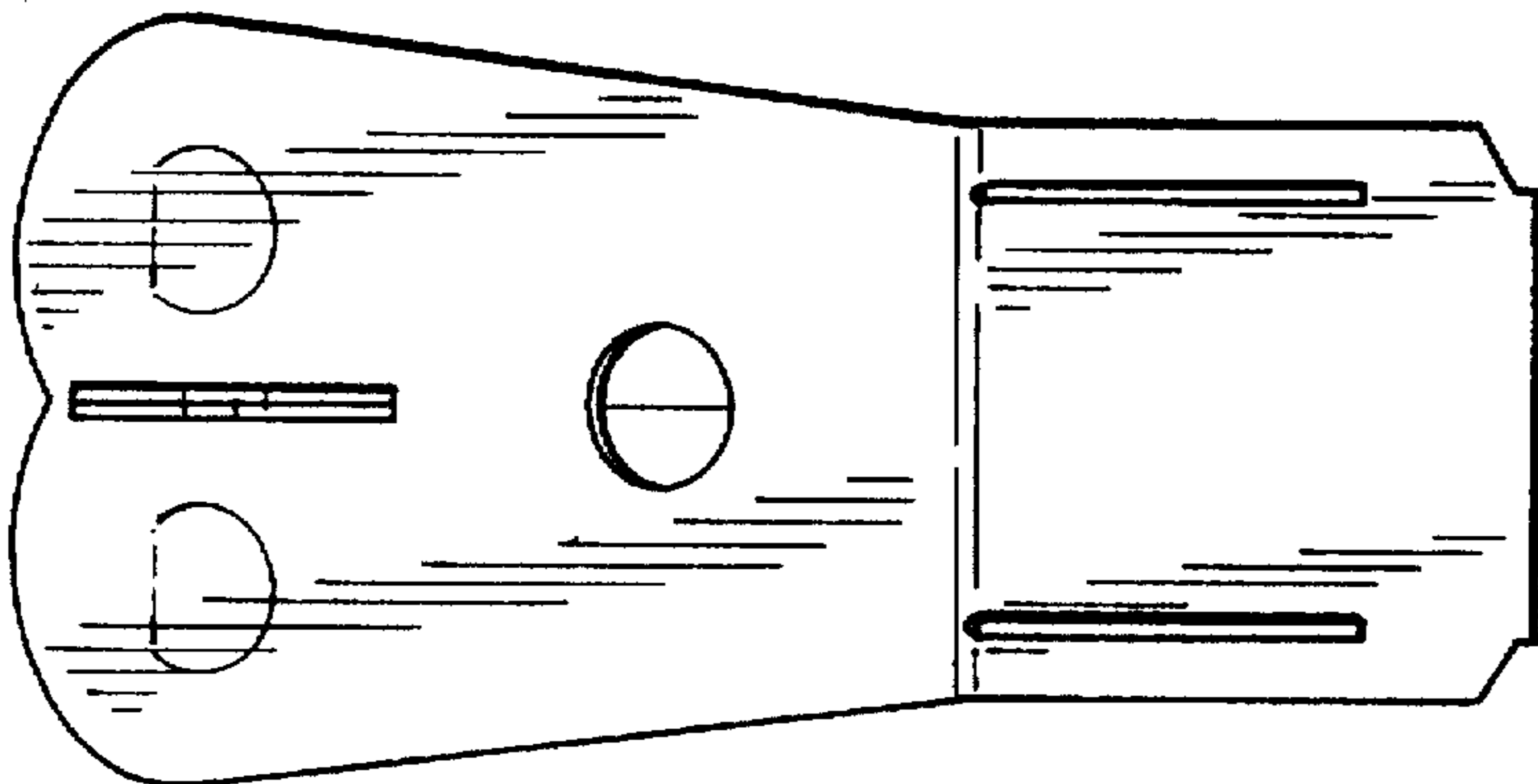


FIG. 3

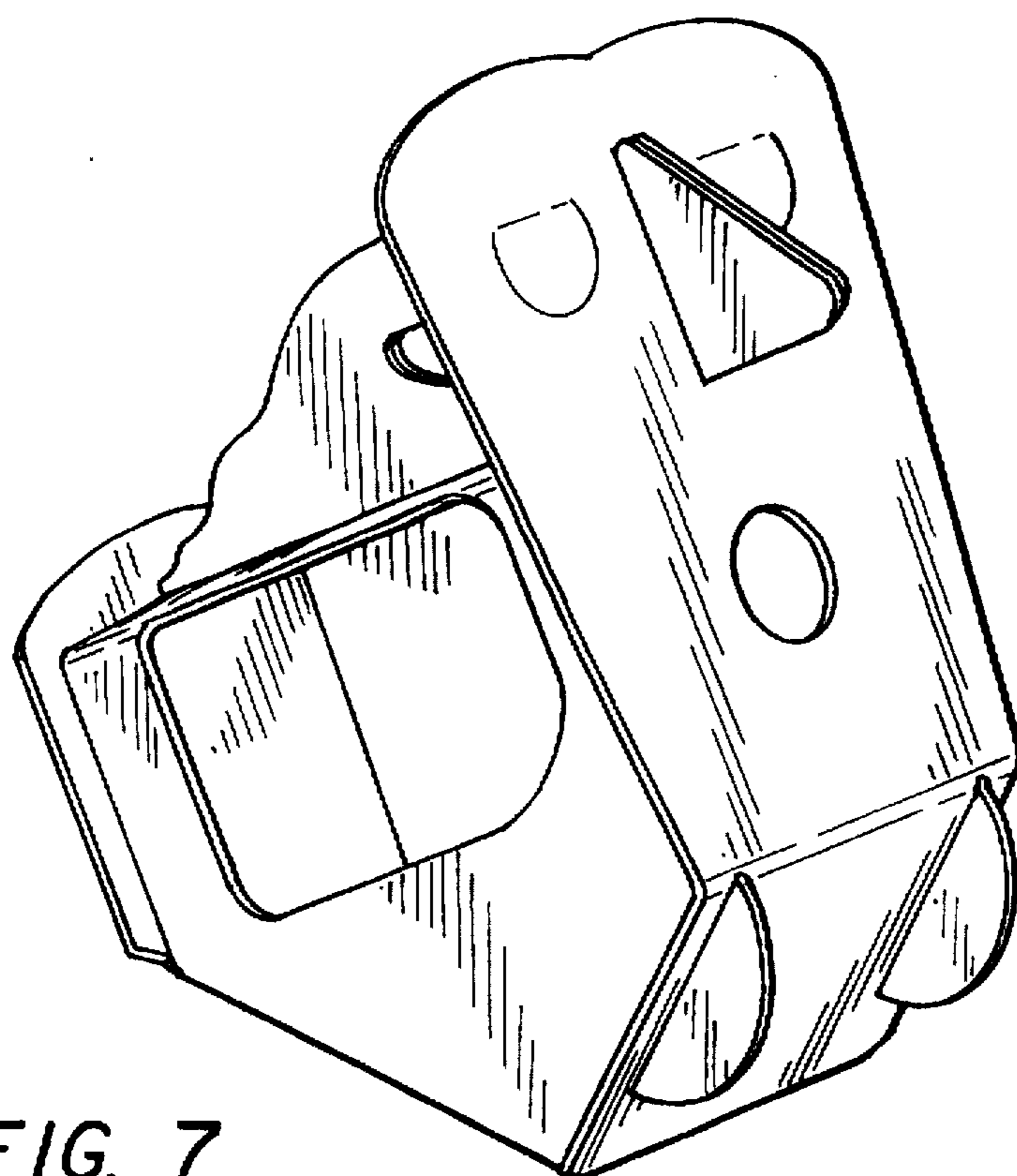


FIG. 7

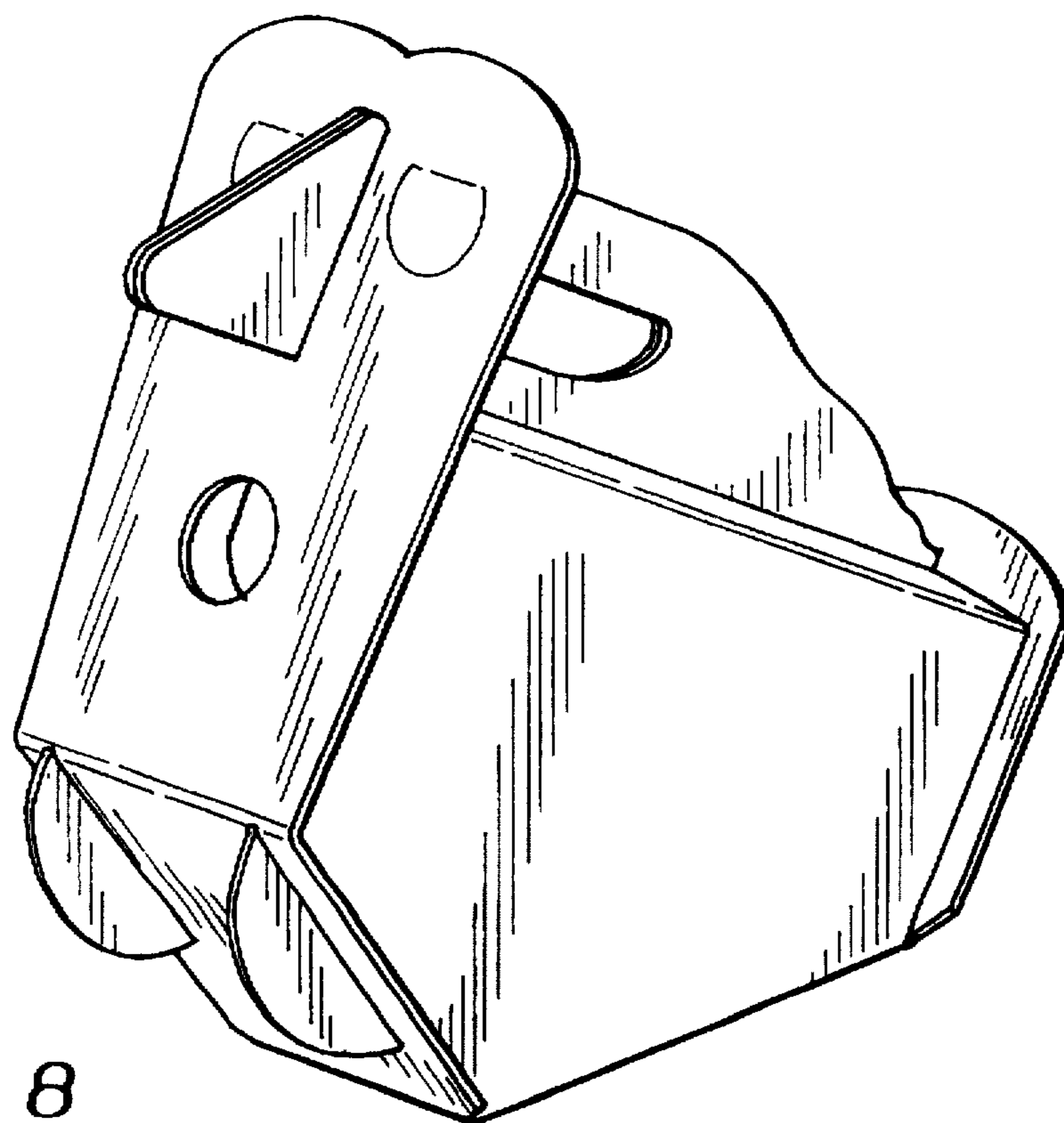


FIG. 8

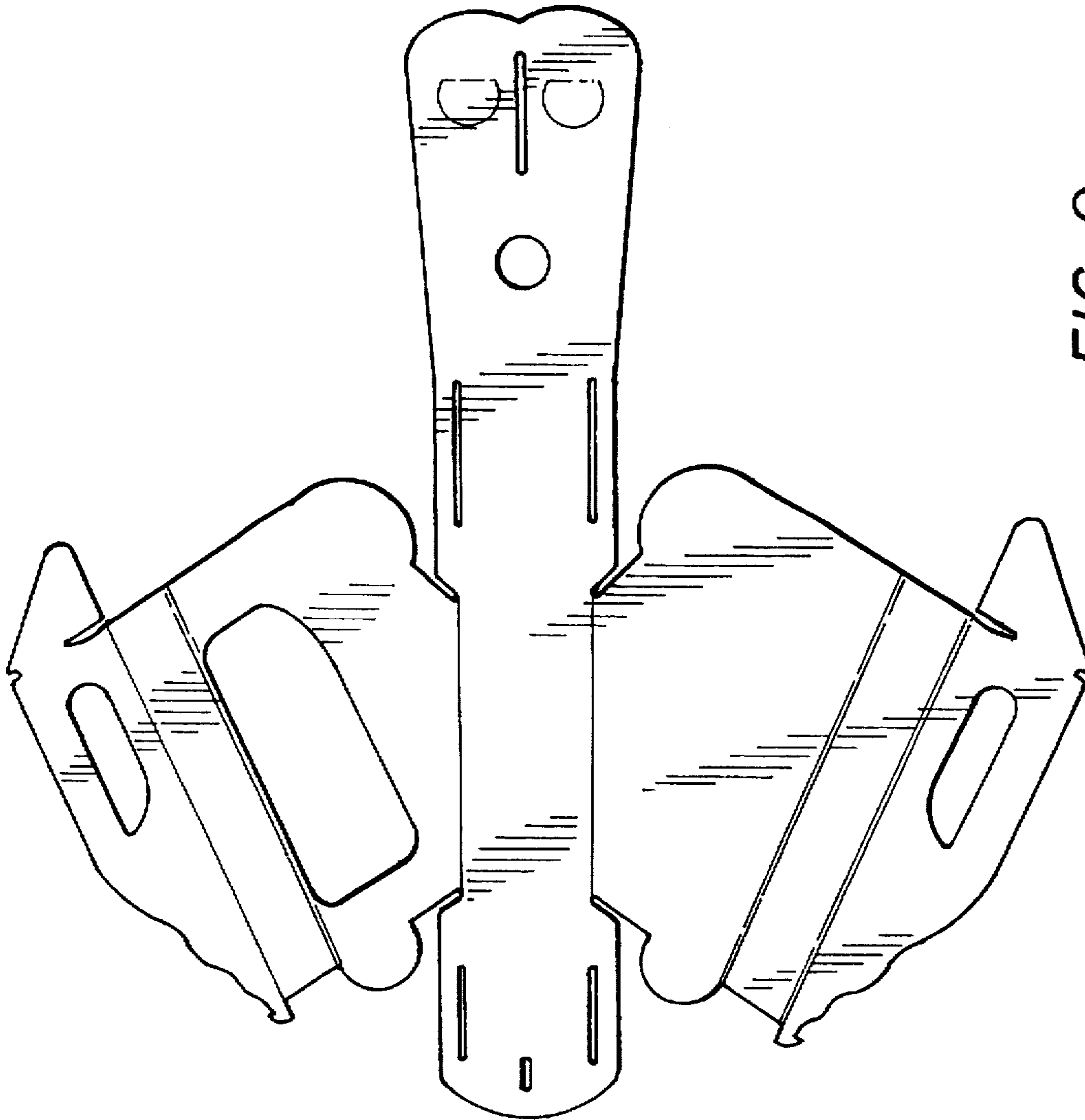


FIG. 9

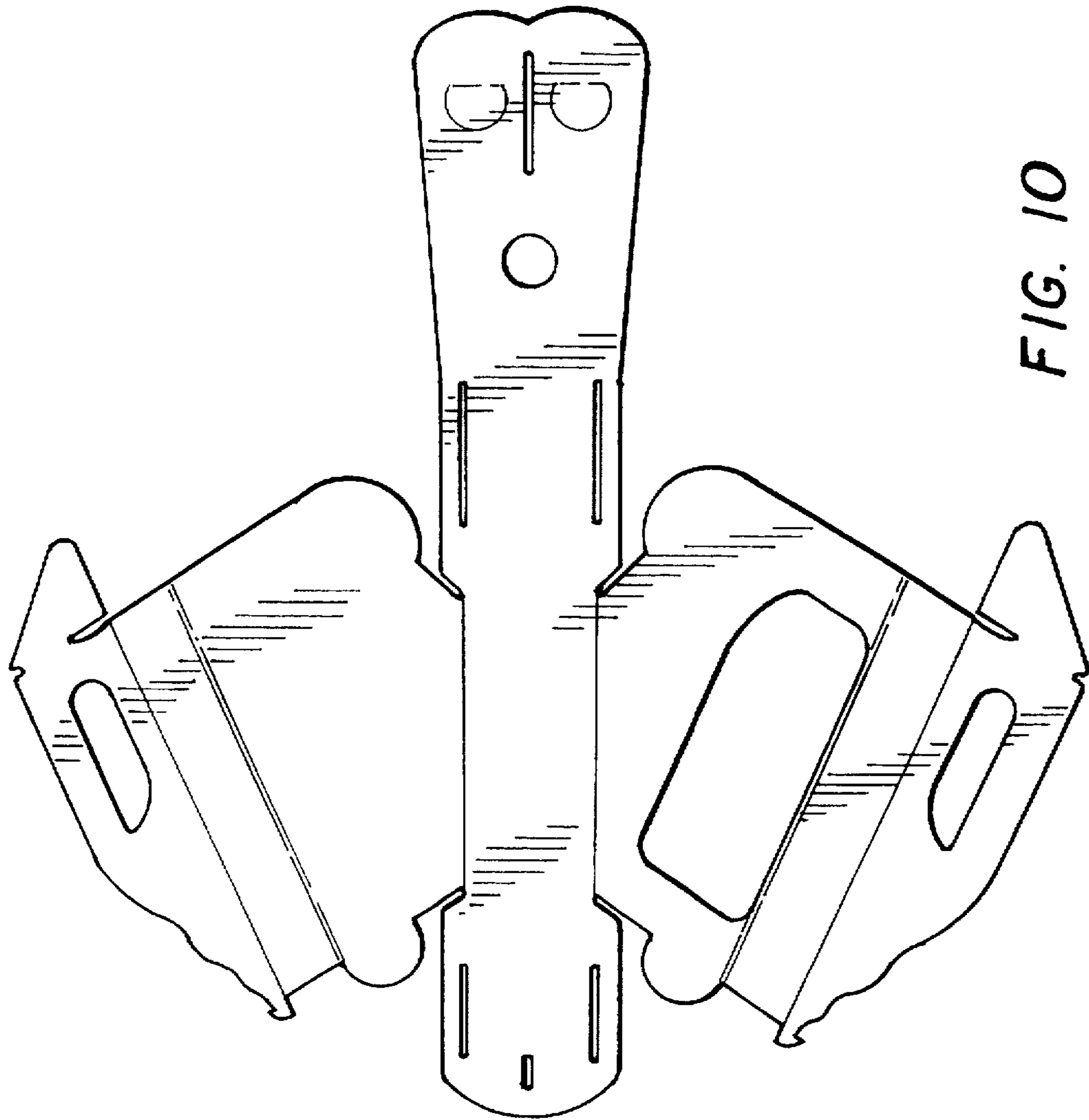


FIG. 10