



US00D394207S

United States Patent [19]

Waterbury et al.

[11] Patent Number: **Des. 394,207**

[45] Date of Patent: ****May 12, 1998**

[54] **BATTERY PACK**

[75] Inventors: **David H. Waterbury**, Cranford, N.J.;
Stephen Denny, Grosse Pointe, Mich.;
Kimberly Distaso, Berkeley Heights, N.J.

[73] Assignees: **Sony Corporation**, Tokyo, Japan; **Sony Electronics, Inc.**, Park Ridge, N.J.

[**] Term: **14 Years**

[21] Appl. No.: **75,750**

[22] Filed: **Aug. 22, 1997**

[51] LOC (6) Cl. **09-07**

[52] U.S. Cl. **D9/415**

[58] Field of Search D9/415, 418, 341,
D9/346; D6/512, 535; 206/461-471, 806,
468, 333, 445, 495, 775-783

[56] **References Cited**

U.S. PATENT DOCUMENTS

D. 302,662	8/1989	Calcerano et al.	D9/415
D. 352,894	11/1994	Halaburda et al.	D9/415
D. 381,263	7/1997	O'Brien et al.	D9/415
4,896,770	1/1990	Cacerano et al.	206/461 X
5,311,989	5/1994	Ward et al.	206/471 X

5,429,233	7/1995	Juaristi	206/461 X
5,462,161	10/1995	Halaburda et al.	206/470 X
5,593,636	1/1997	Dyboe et al.	206/464

Primary Examiner—Prabhakar G. Desmukh
Attorney, Agent, or Firm—Frommer Lawrence & Haug
LLP; William S. Frommer

[57] **CLAIM**

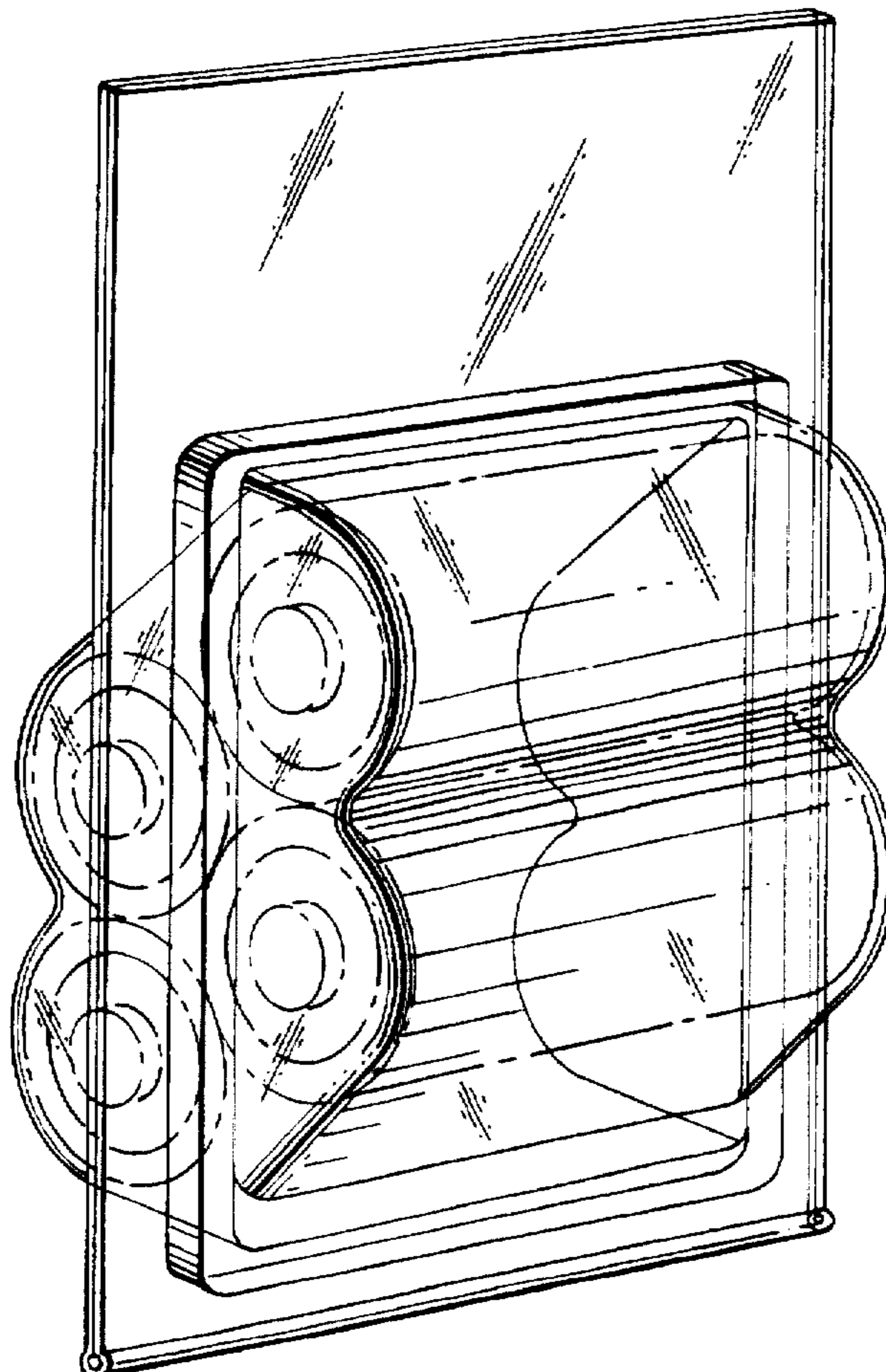
The ornamental design for a battery pack, as shown and described.

DESCRIPTION

FIG. 1 is a front perspective view of a battery pack showing our design;
FIG. 2 is a top plan view of the battery pack shown in FIG. 1;
FIG. 3 is a front plan view of the battery pack shown in FIG. 1;
FIG. 4 is a right side view of the battery pack shown in FIG. 1;
FIG. 5 is a rear plan view of the battery pack shown in FIG. 1; and,
FIG. 6 is a bottom plan view of the battery pack shown in FIG. 1.

The broken lines showing of batteries are for illustrative purposes only and forms no part of the claim.

1 Claim, 3 Drawing Sheets



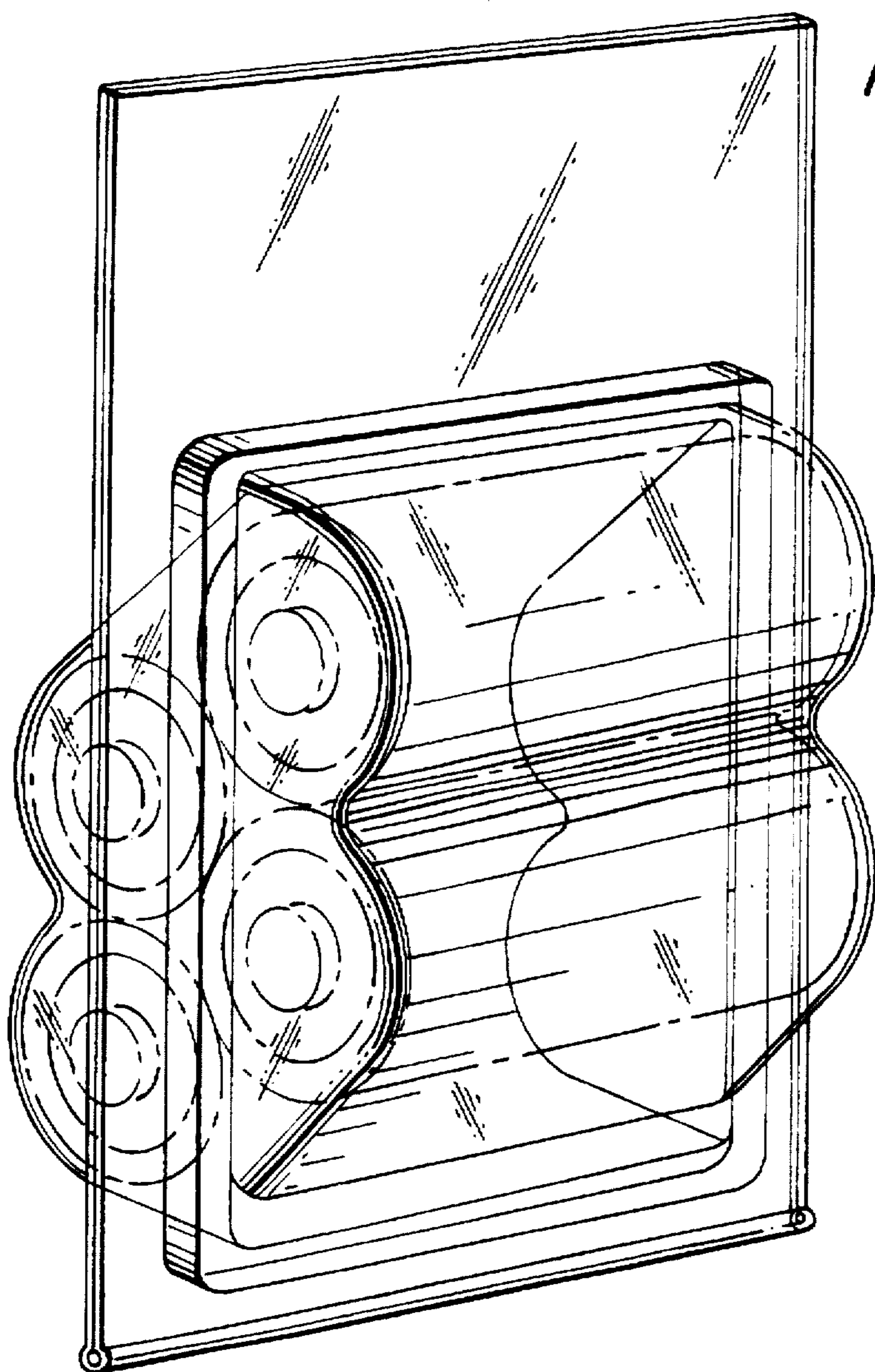


FIG. 1

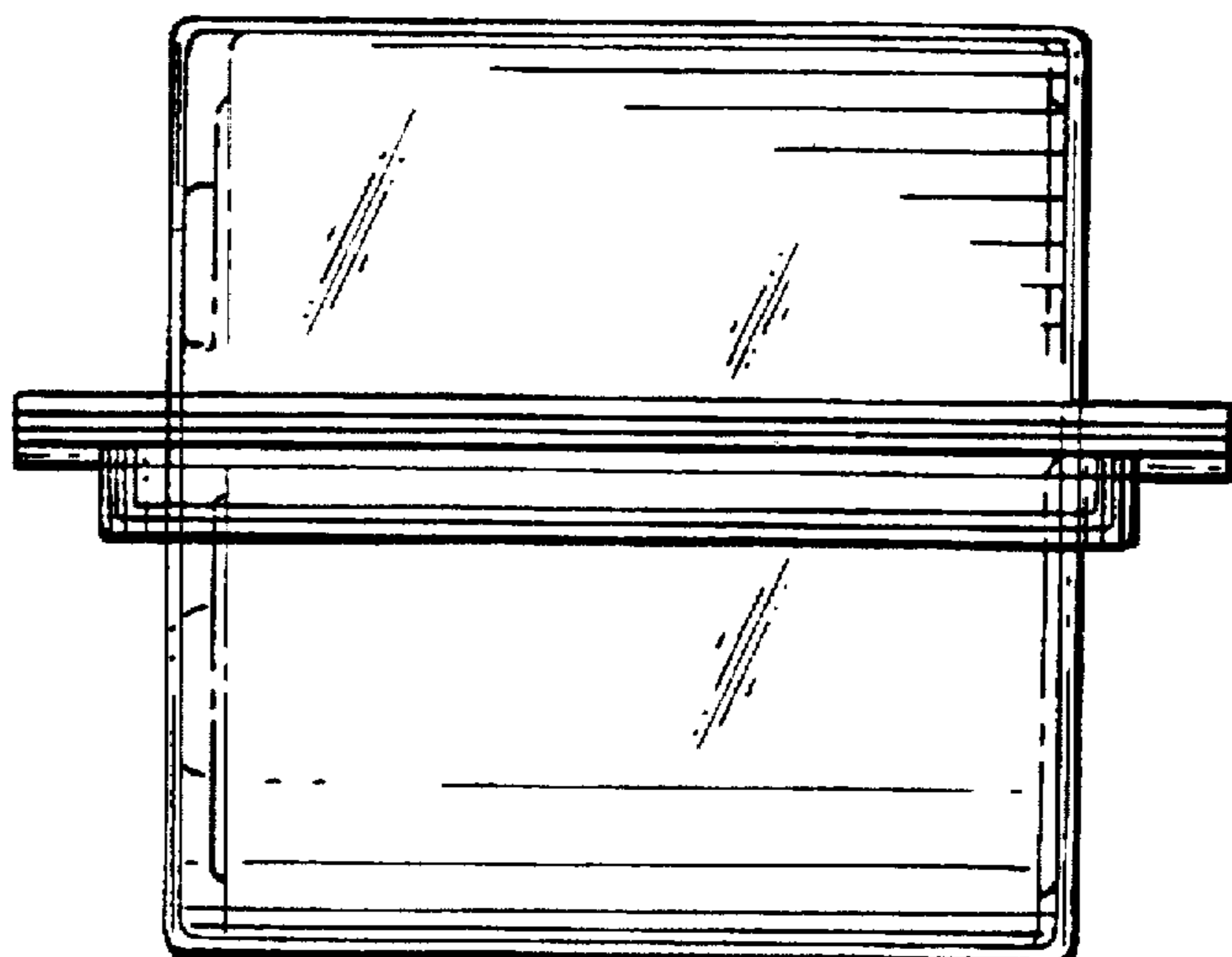


FIG. 2

FIG. 4

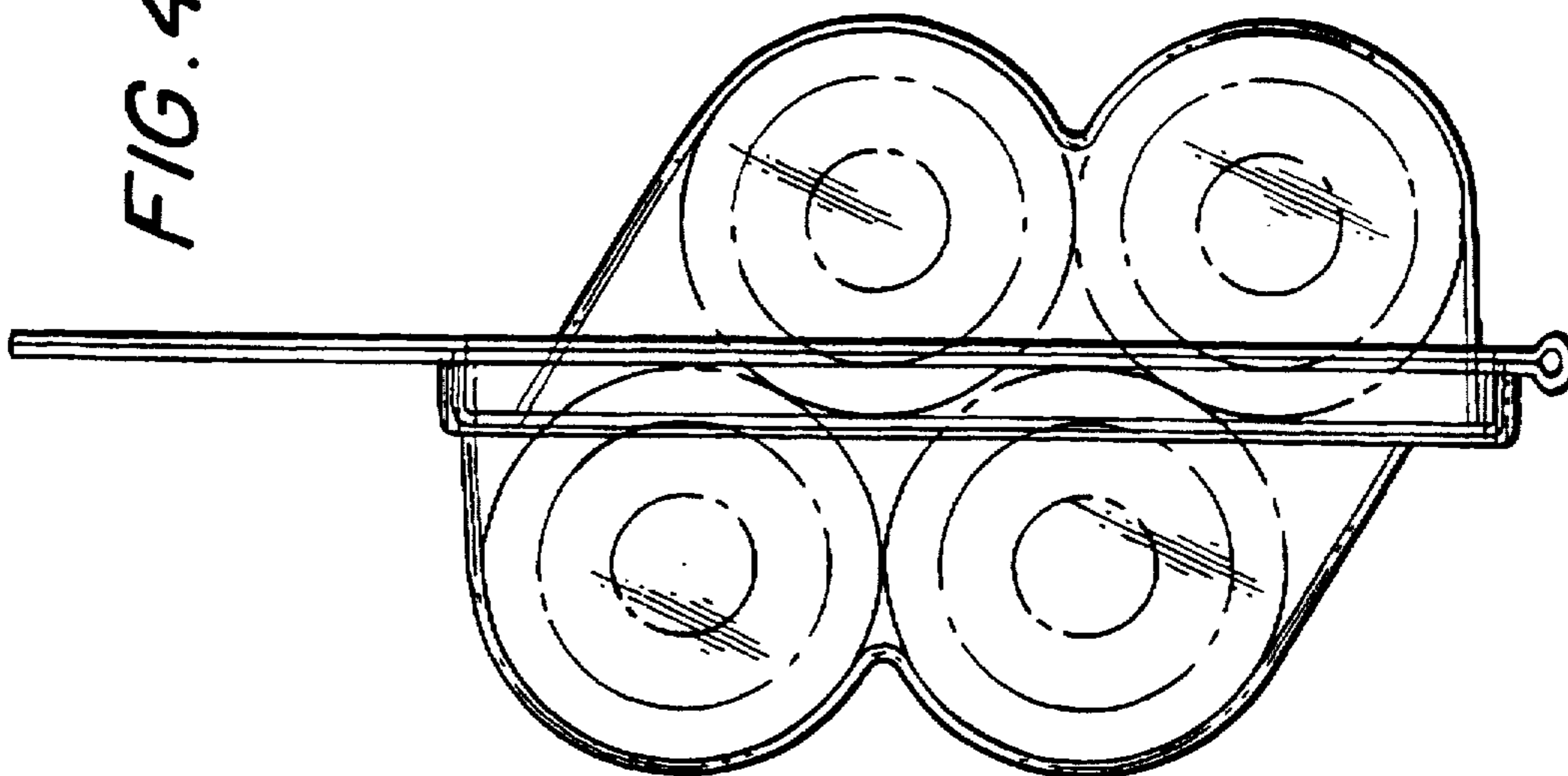


FIG. 3

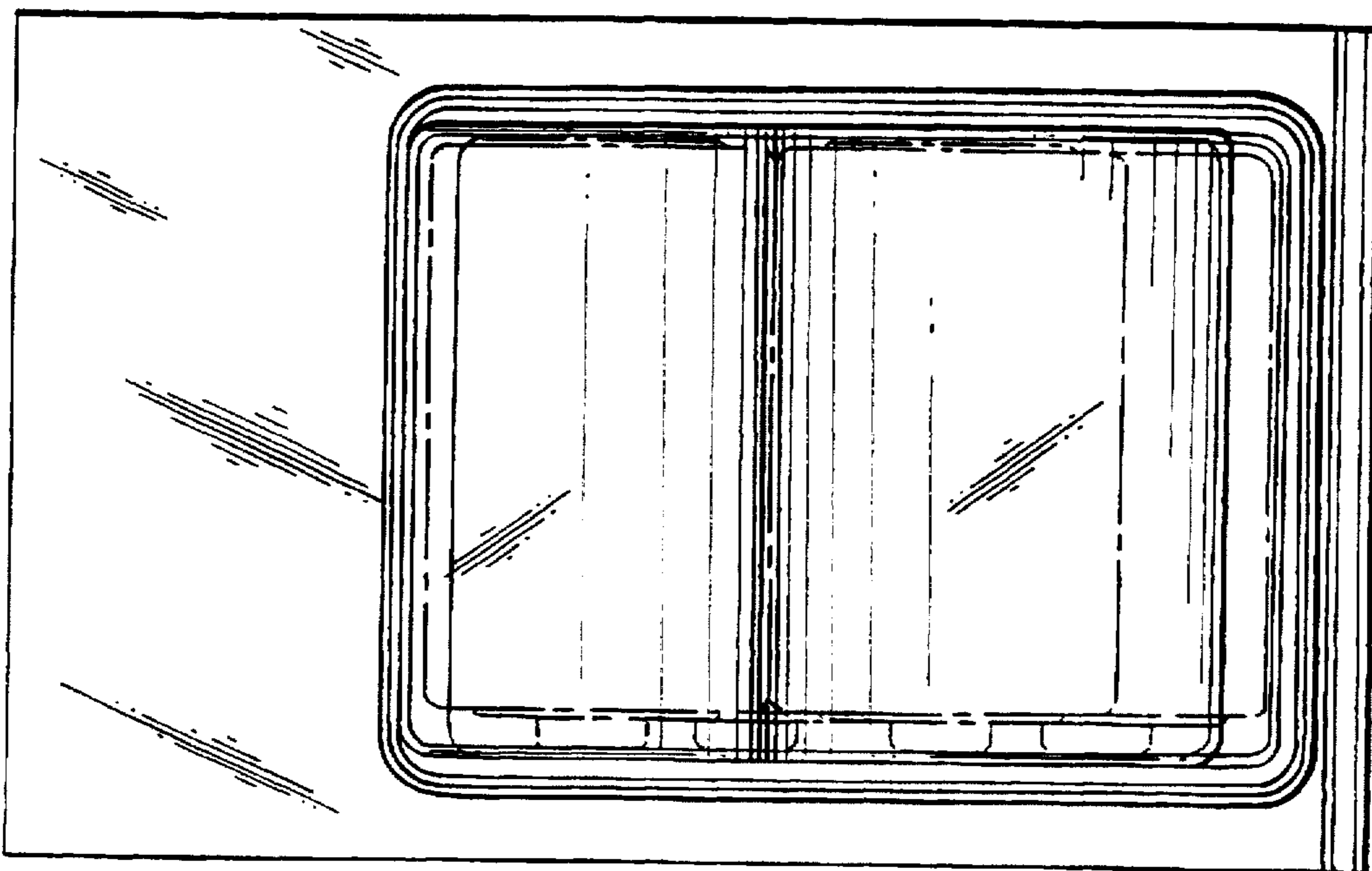


FIG. 5

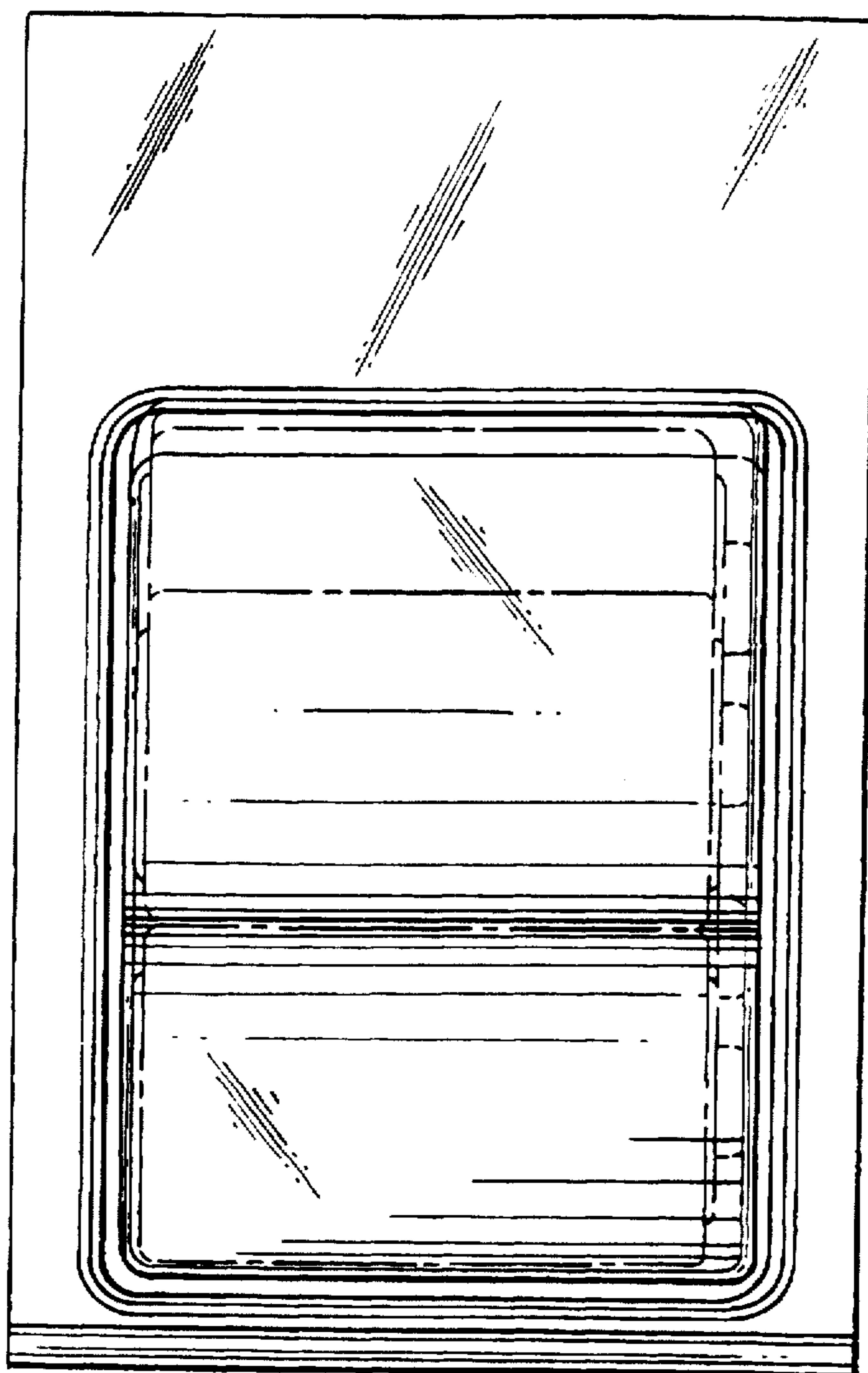


FIG. 6

