



US00D394206S

United States Patent [19]
Morrish

[11] **Patent Number:** **Des. 394,206**
[45] **Date of Patent:** ****May 12, 1998**

[54] **COMBINED DISPENSER PACKAGE WITH
FLAT ROLLED PRODUCT**

[75] **Inventor:** **David L. Morrish**, San Gabriel, Calif.

[73] **Assignee:** **Martha L. McGuire**, San Garbriel,
Calif.

[**] **Term:** **14 Years**

[21] **Appl. No.:** **72,098**

[22] **Filed:** **Jun. 9, 1997**

[51] **LOC (6) Cl.** **09-07**

[52] **U.S. Cl.** **D9/417; D9/422**

[58] **Field of Search** **D9/416, 417, 414,
D9/428, 337, 339, 422; 206/216, 233, 261,
310, 400, 409, 407, 39.6, 824; 220/4.23,
4.24, 4.25; 221/312 C. 303, 282, 285; D10/46,
71, 72**

[56] **References Cited**

U.S. PATENT DOCUMENTS

3,477,624 11/1969 Branyon et al. 206/409 X
4,034,926 7/1977 Wegner 206/409 X

4,378,068 3/1983 Bell 206/461
4,928,827 5/1990 Hara 206/407 X
5,053,795 10/1991 Wyman 206/409 X
5,060,814 10/1991 Oglesbee 206/421 X
5,358,113 10/1994 Hellenbrand 206/409 X

Primary Examiner—Prabhakar G. Deshmukh
Attorney, Agent, or Firm—Timothy T. Tyson; Freilich,
Hornbaker & Rosen

[57] **CLAIM**

The ornamental design for a combined dispenser package with flat rolled product, as shown.

DESCRIPTION

FIG. 1 is a top, front, left side perspective of a combined dispenser package with flat rolled product showing my new design;
FIG. 2 is a top plan view thereof;
FIG. 3 is a front elevational view thereof;
FIG. 4 is a right side elevational view thereof;
FIG. 5 is a left side elevational view thereof;
FIG. 6 is a rear elevational view thereof; and
FIG. 7 is a bottom plan view.

1 Claim, 3 Drawing Sheets

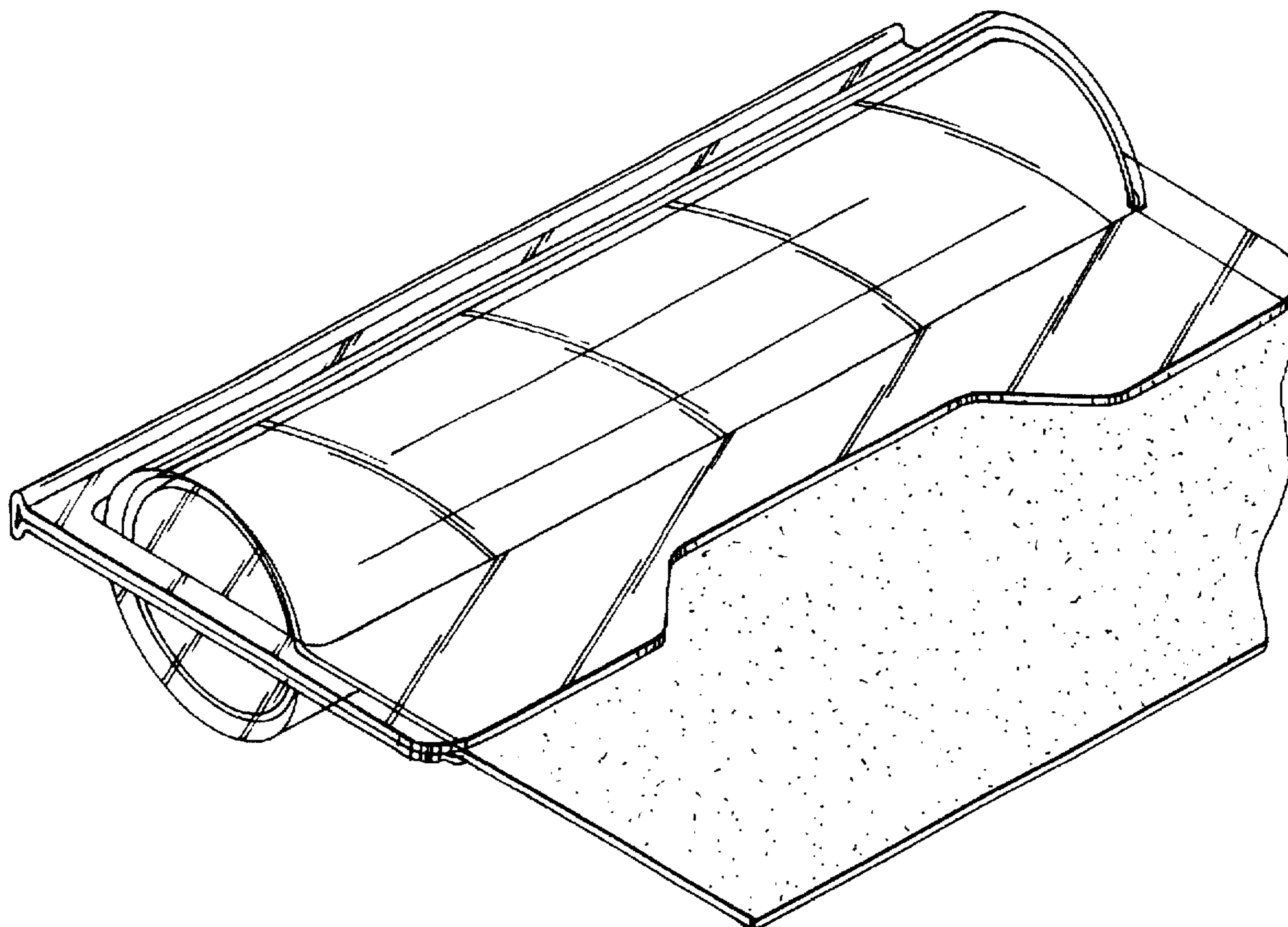


Fig. 1

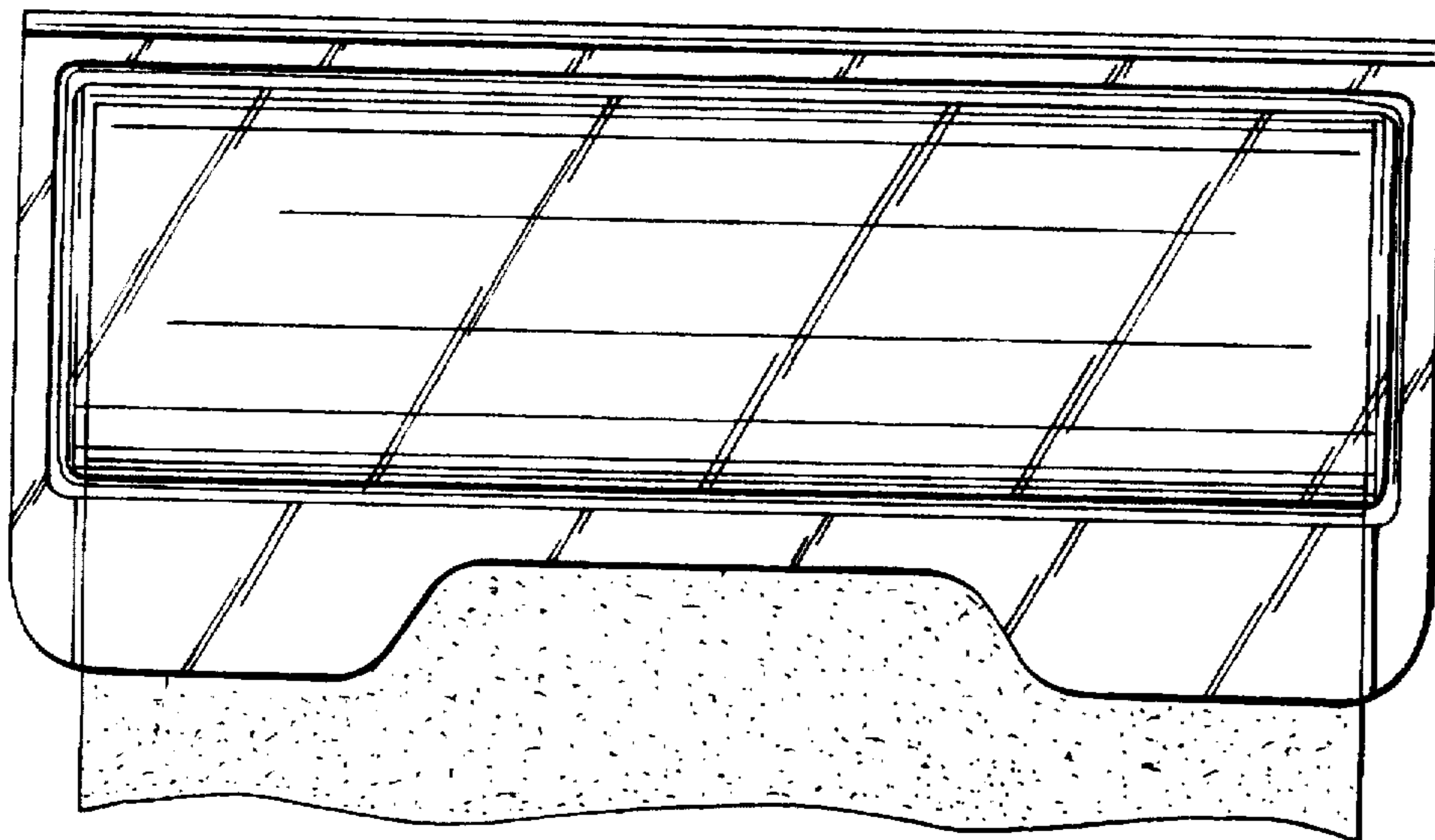
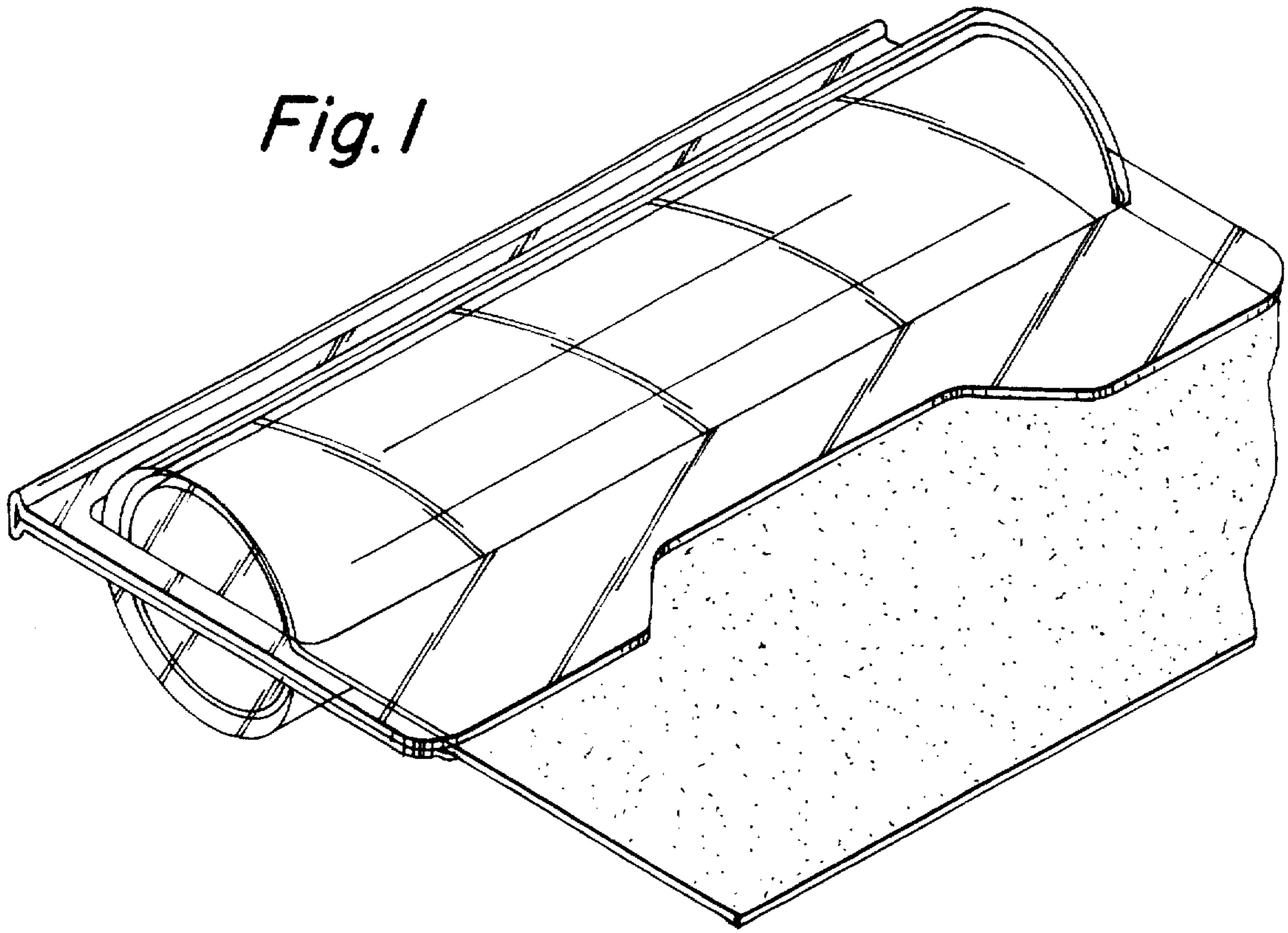


Fig. 2

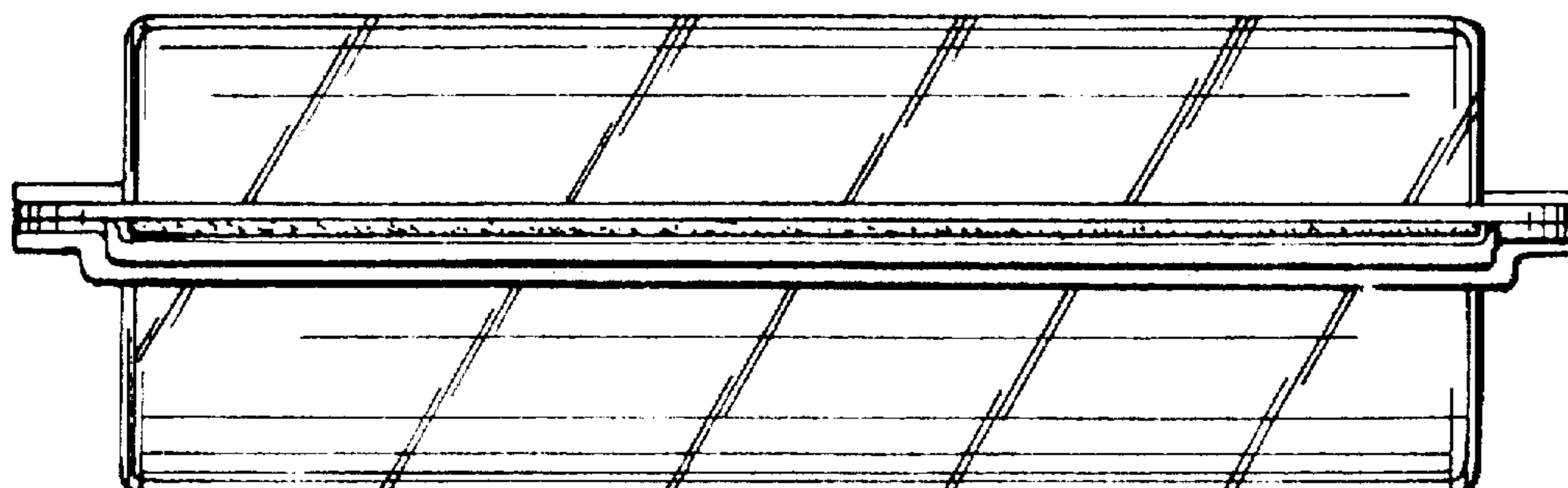


Fig. 3

Fig. 4

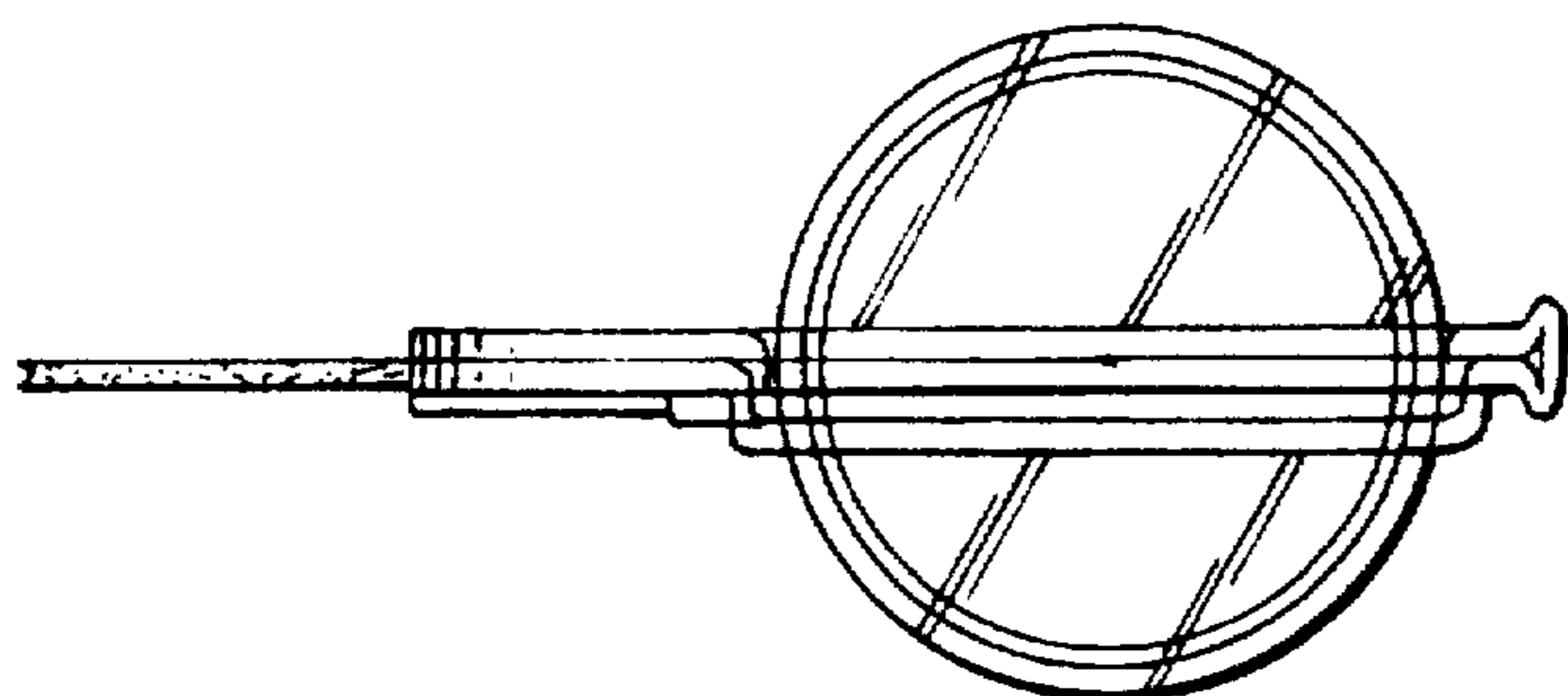
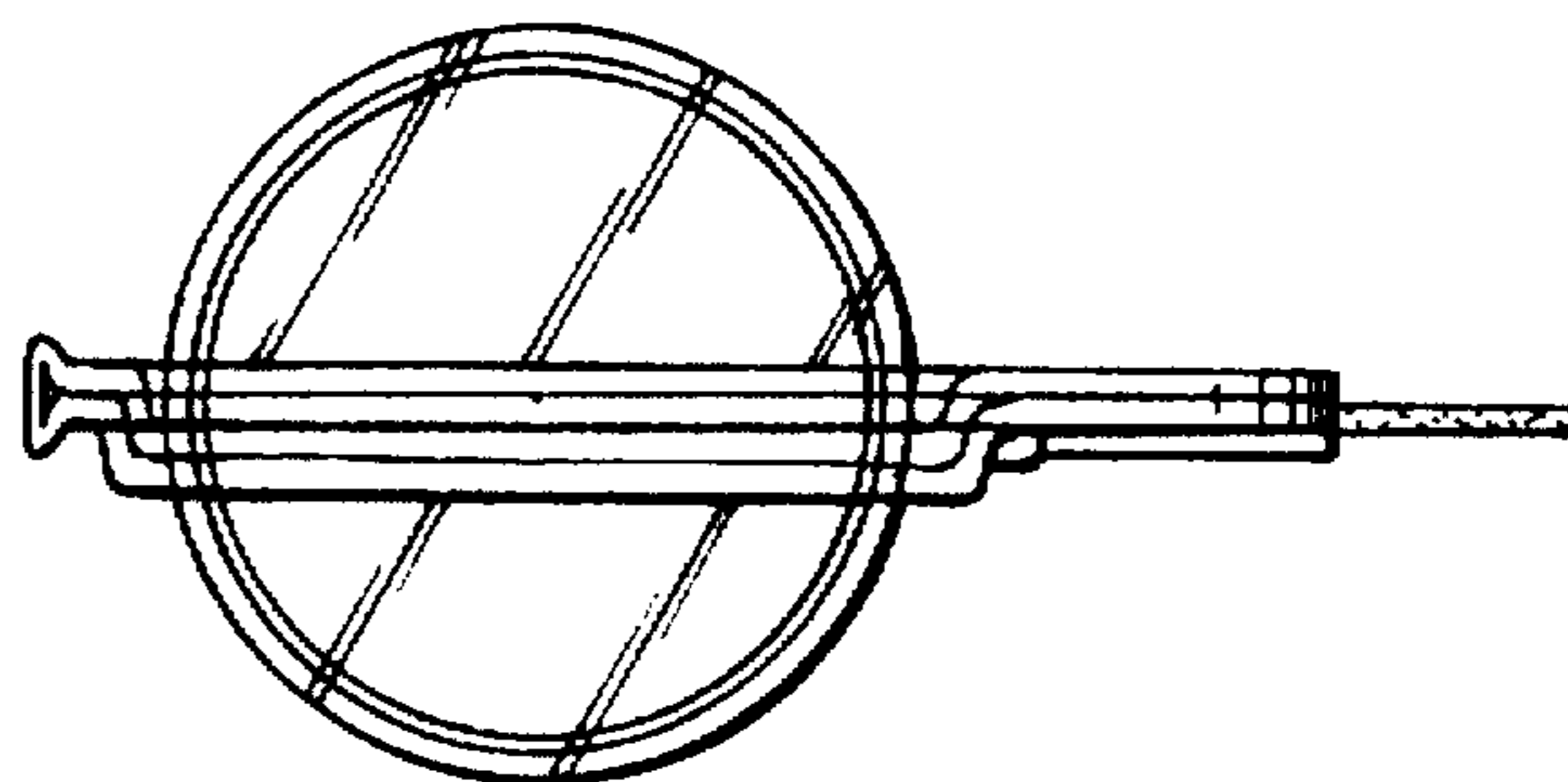


Fig. 5

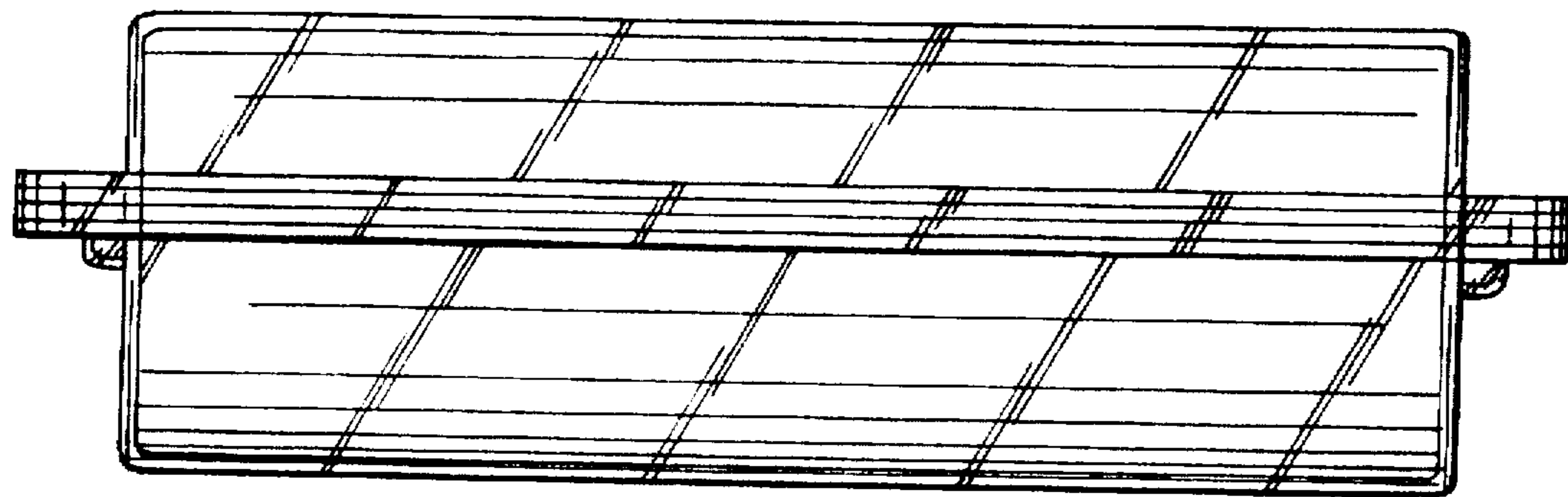


Fig. 6

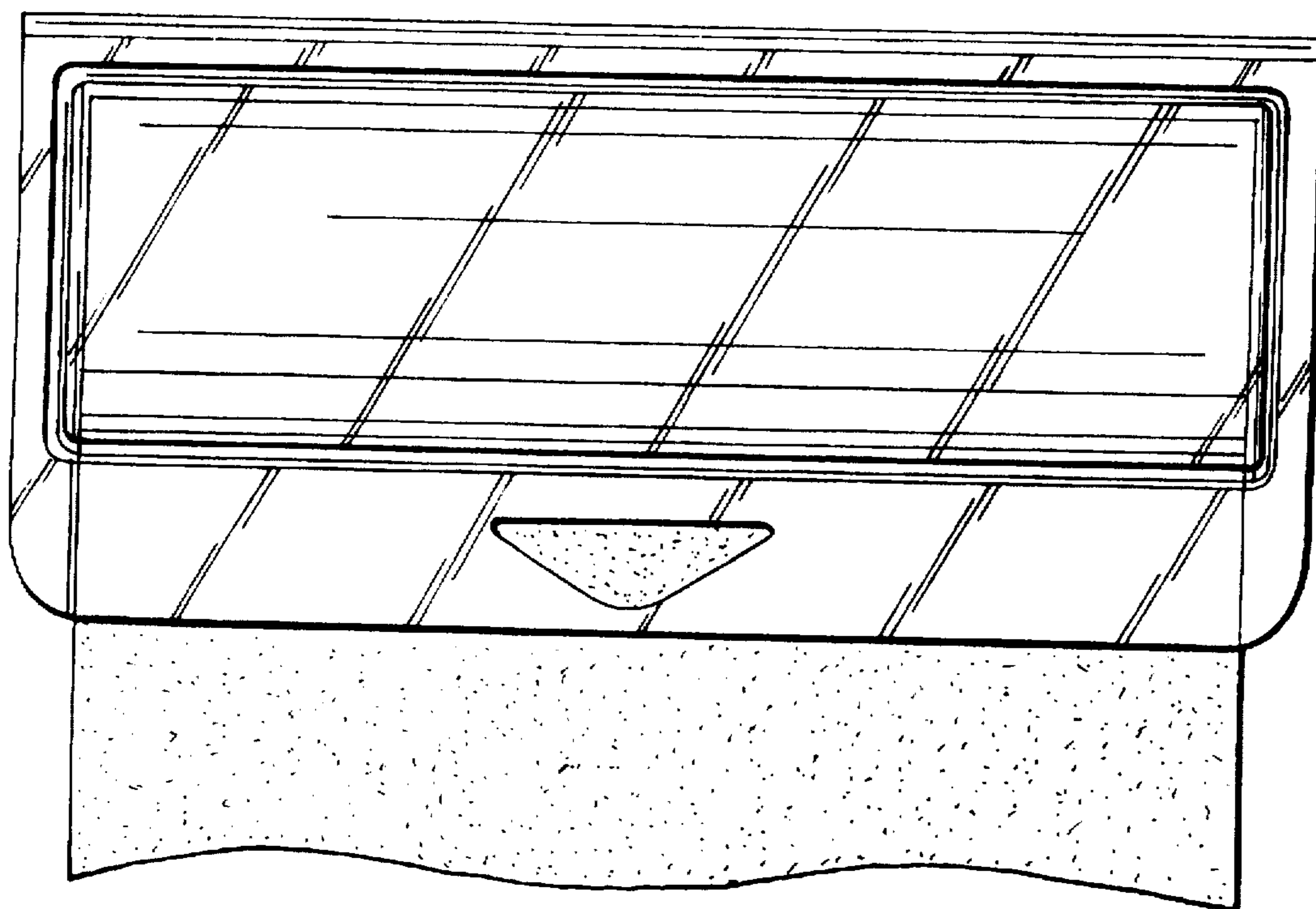


Fig. 7