



US00D394201S

# United States Patent [19]

Newell et al.

[11] Patent Number: **Des. 394,201**

[45] Date of Patent: **\*\*May 12, 1998**

[54] **ROD HOLDER SURFACE MOUNT BRACKET WITH SWIVEL PLATE**

D. 342,950 1/1994 Yoder ..... D8/396 X  
D. 342,952 1/1994 Yoder ..... D8/396

[75] Inventors: **Roger Newell, Carmel; Tommy L. Carter, Seaside, both of Calif.**

*Primary Examiner*—Susan J. Lucas  
*Assistant Examiner*—Cynthia E. Ramirez  
*Attorney, Agent, or Firm*—David O'Reilly

[73] Assignee: **E-Z Catch and Company, Carmel, Calif.**

[57] **CLAIM**

[\*\*] Term: **14 Years**

The ornamental design for a rod holder surface mount bracket with swivel plate, as shown and described.

[21] Appl. No.: **60,261**

**DESCRIPTION**

[22] Filed: **Sep. 25, 1996**

FIG. 1 is an isometric view of a rod holder surface mount bracket with swivel plate having a rod holding post and supports shown in phantom according to the invention; FIG. 2 is a front view thereof; FIG. 3 is a right side view thereof; FIG. 4 is a rear view thereof; FIG. 5 is a left side view thereof; and, FIG. 6 is a top view thereof the bottom view being identical. The broken line showing of a rod holding post and support in FIG. 1 is for illustrative purposes only and forms no part of the claimed design.

[51] **LOC (6) Cl.** ..... **08-05**

[52] **U.S. Cl.** ..... **D8/356; D14/238; D8/396**

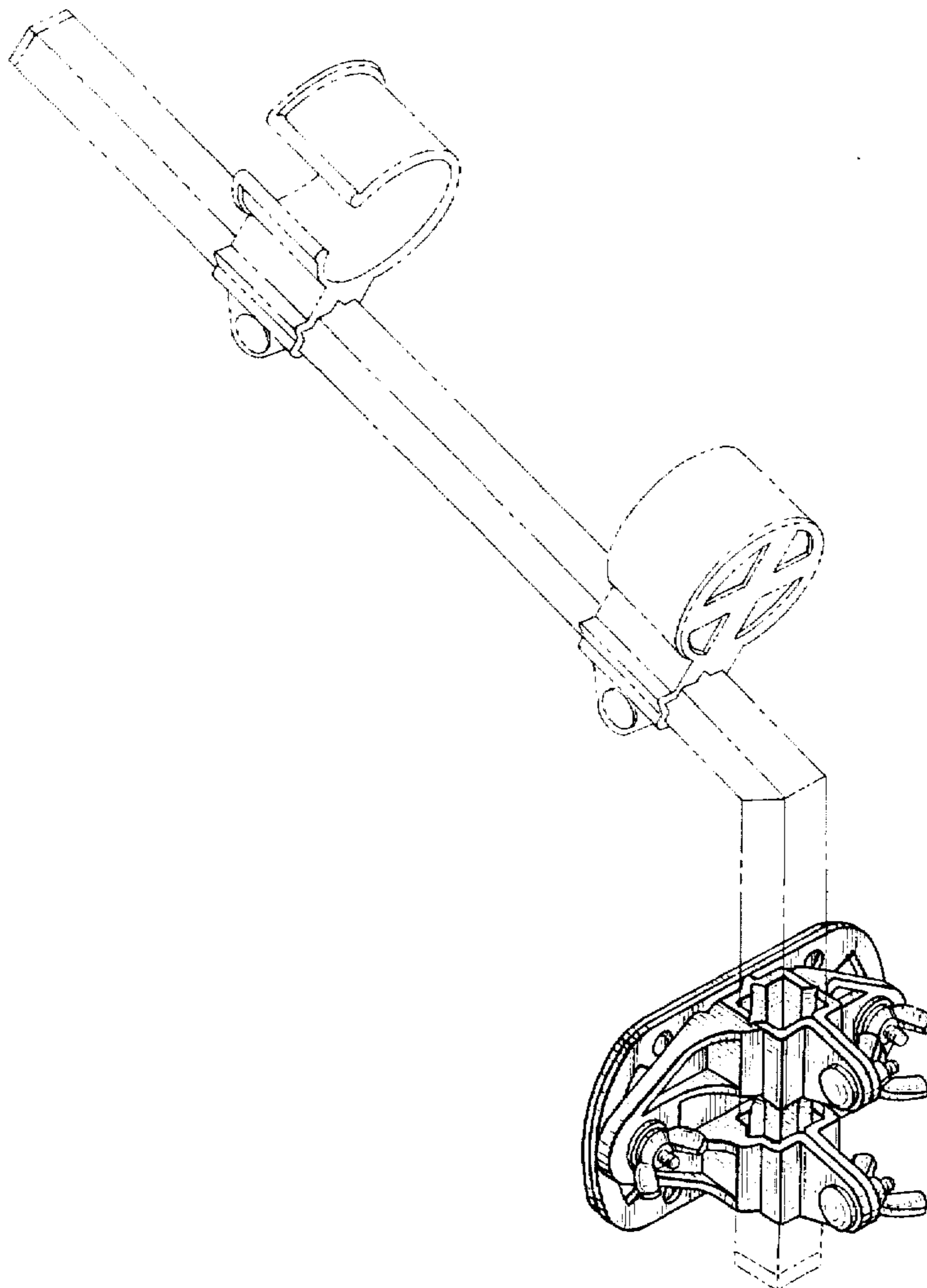
[58] **Field of Search** ..... **D8/354, 349, 356, D8/396; 248/27.1, 300, 309.1, 200; 15/314**

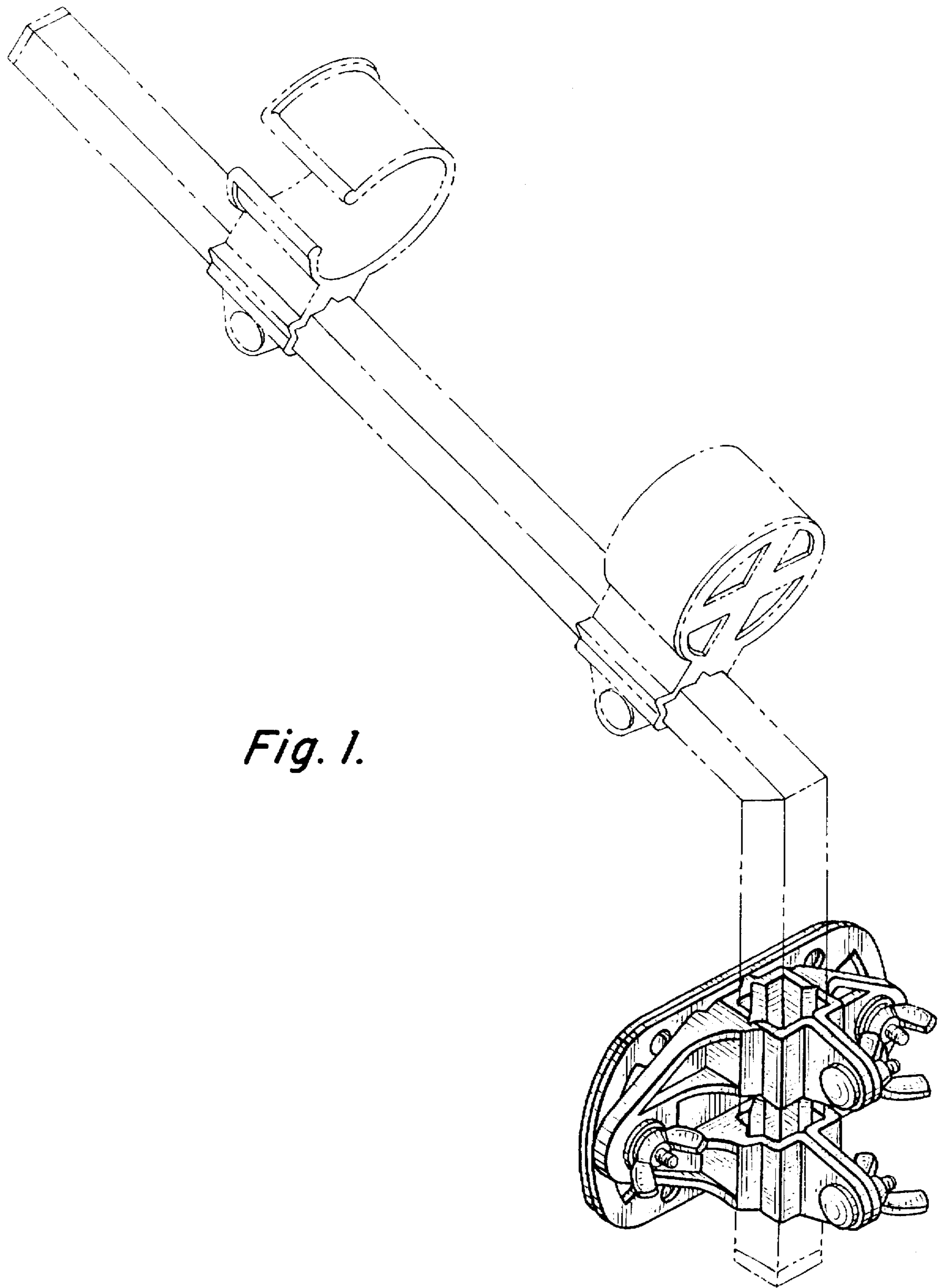
[56] **References Cited**

**U.S. PATENT DOCUMENTS**

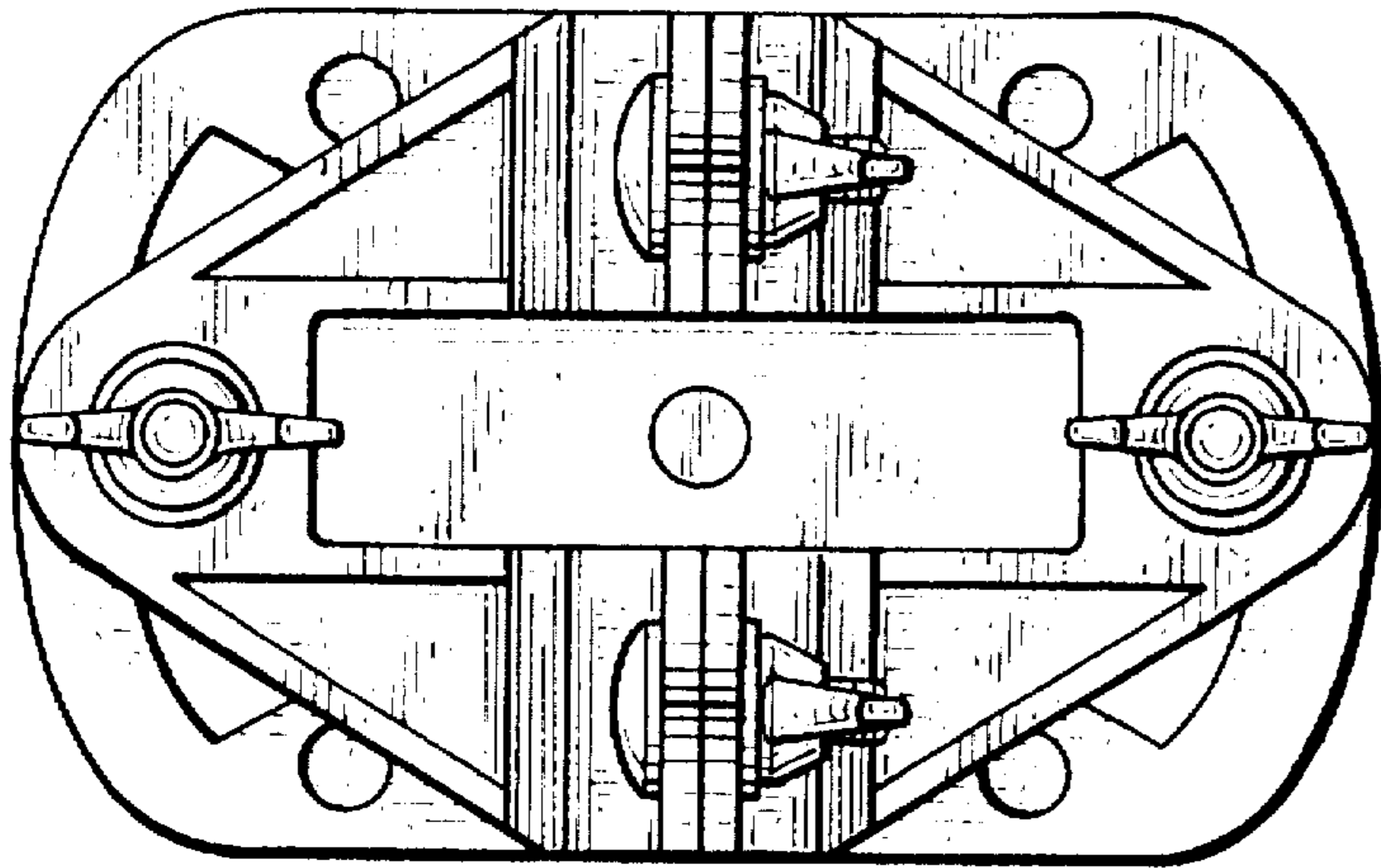
- D. 311,201 10/1990 Nakayama et al. .... D8/396 X
- D. 311,202 10/1990 Nakayama et al. .... D8/396 X
- D. 340,720 10/1993 Yoder ..... D8/396 X

**1 Claim, 2 Drawing Sheets**

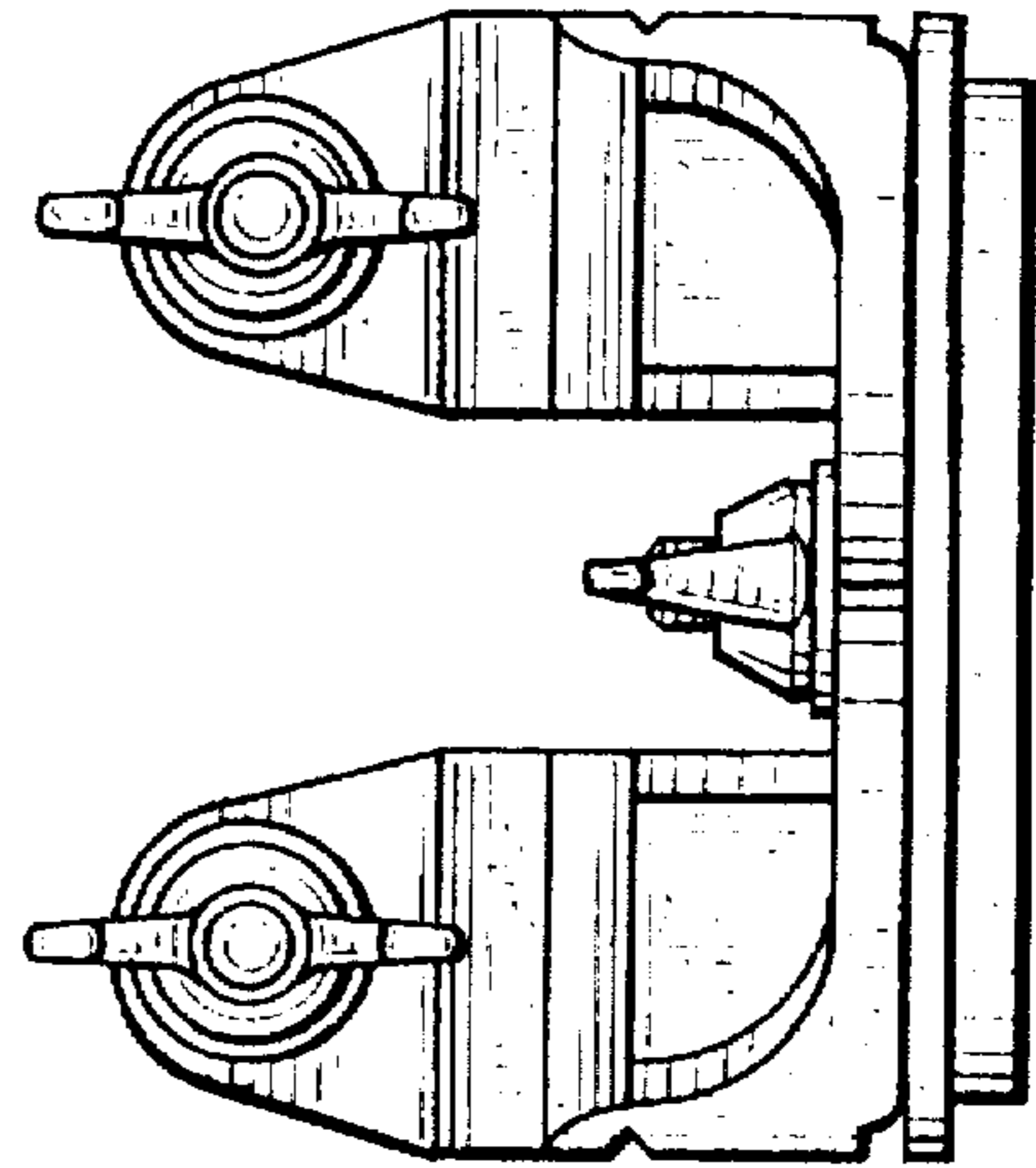




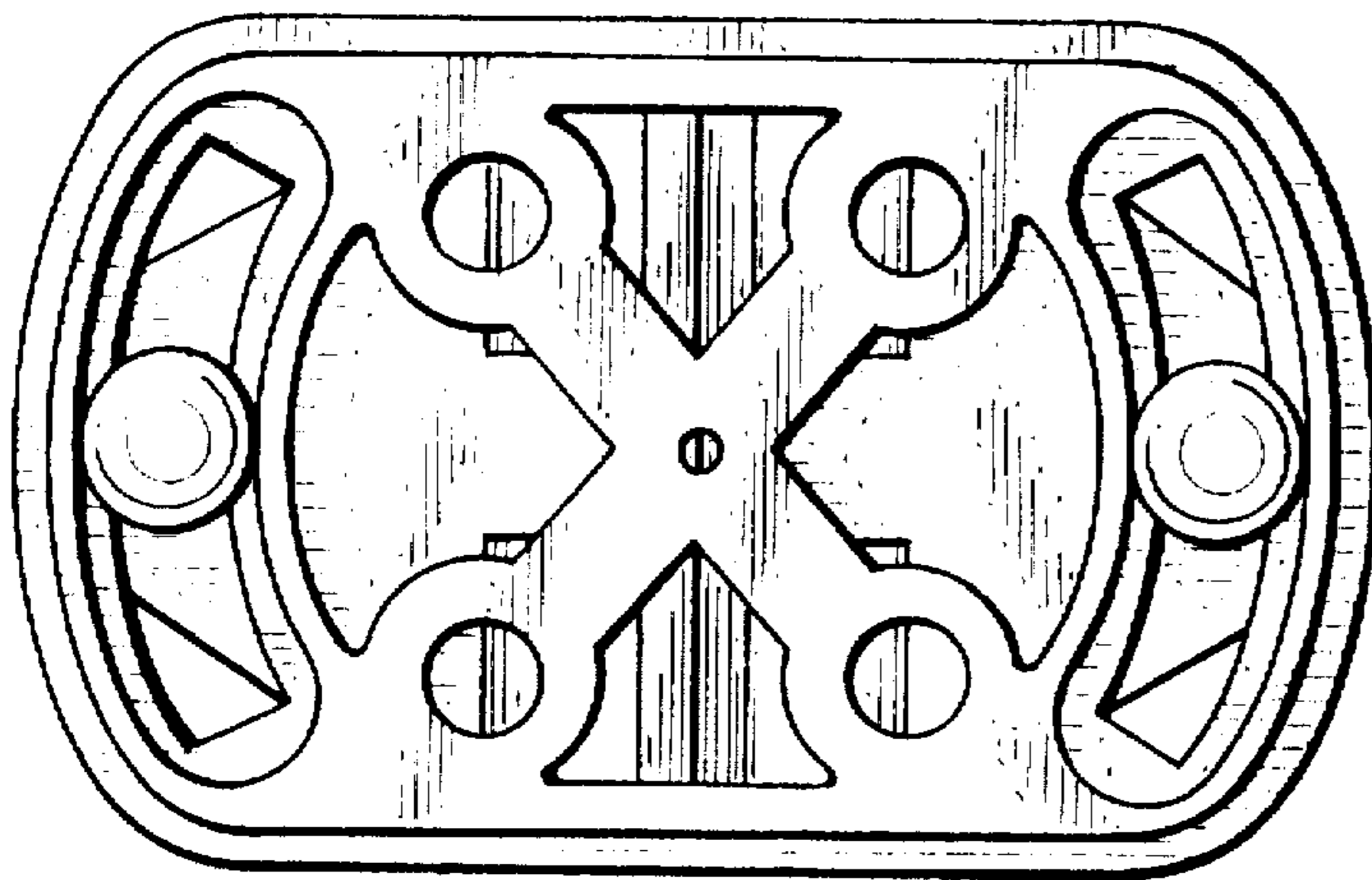
*Fig. 1.*



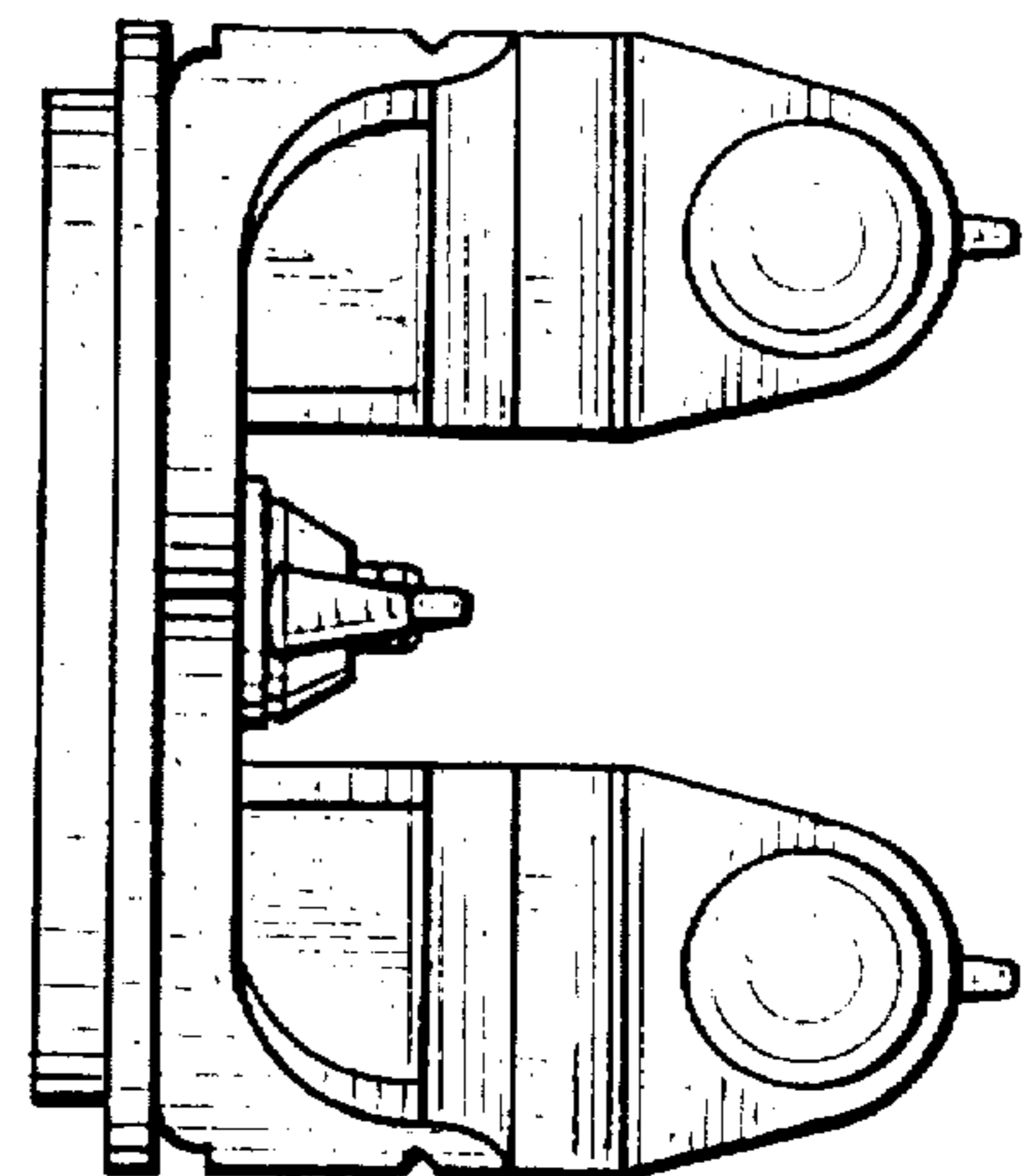
*Fig. 2.*



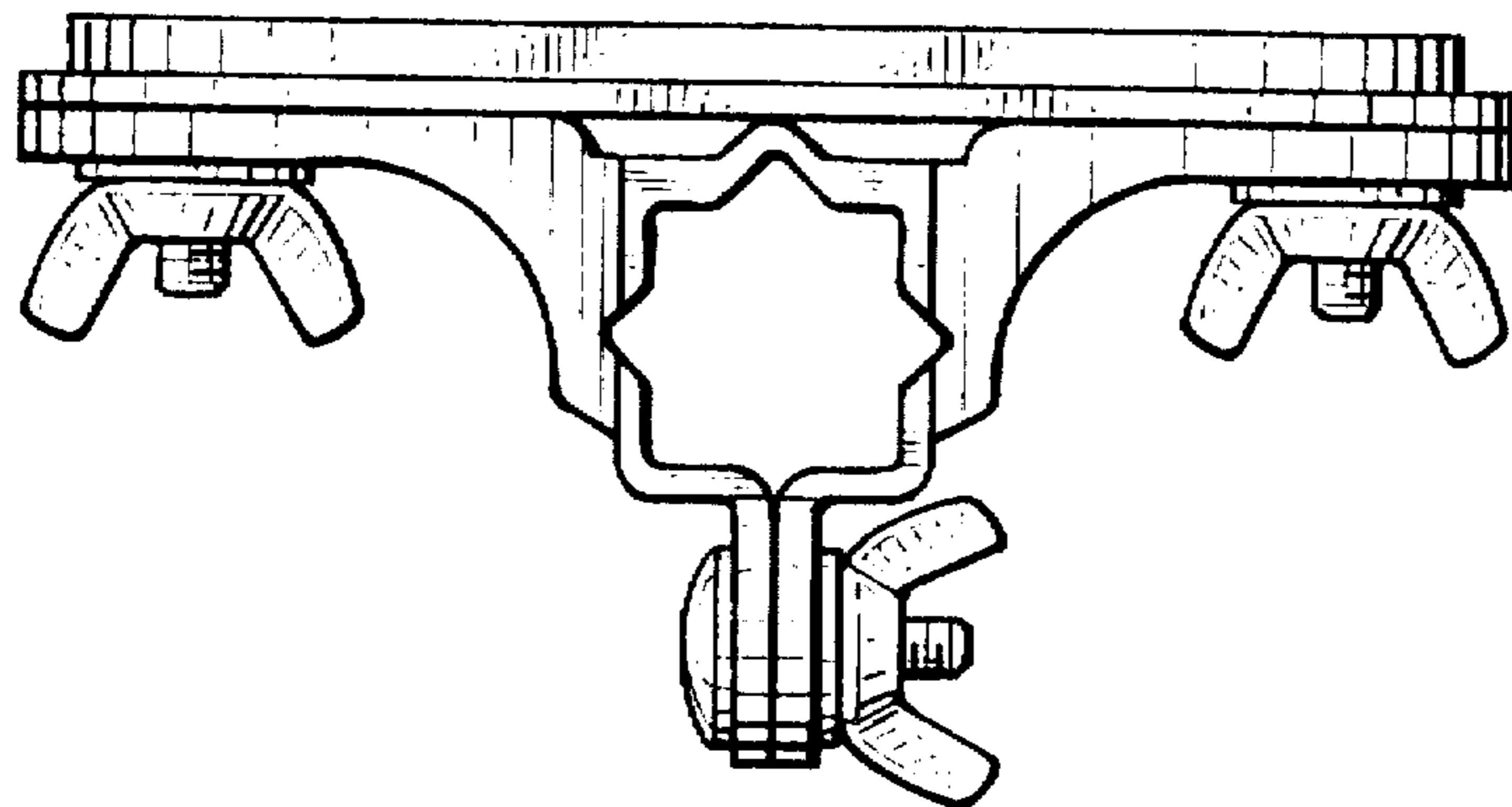
*Fig. 3.*



*Fig. 4.*



*Fig. 5.*



*Fig. 6.*