



US00D394199S

# United States Patent [19] Hodges

[11] Patent Number: **Des. 394,199**  
[45] Date of Patent: **\*\*May 12, 1998**

[54] **TRANSMISSION SUPPORT STAND**  
[76] Inventor: **Douglas Hodges**, 672 W. 12th St., Unit 4, San Pedro, Calif. 90731  
[\*\*] Term: **14 Years**  
[21] Appl. No.: **35,195**  
[22] Filed: **Feb. 22, 1995**  
[51] LOC (6) Cl. .... **08-05**  
[52] U.S. Cl. .... **D8/349**  
[58] Field of Search ..... D8/349, 354; D34/31; 248/354.3; 254/98

D. 242,613 12/1976 Prather ..... D34/31

*Primary Examiner*—Holly Baynham  
*Attorney, Agent, or Firm*—Roger A. Marrs

### [57] CLAIM

The ornamental design for transmission support stand, as shown and described.

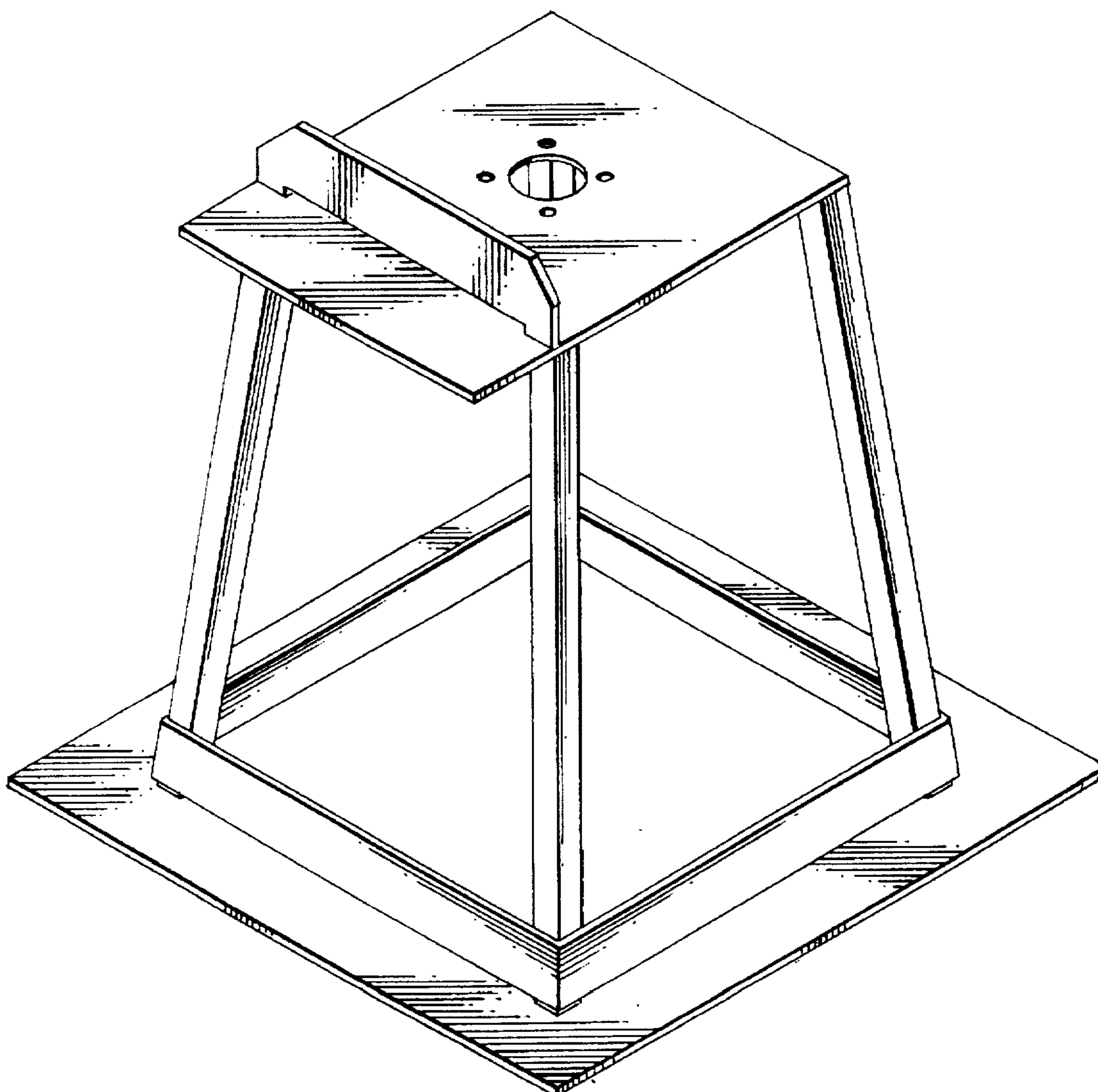
### DESCRIPTION

FIG. 1 is a top view showing my new design for a transmission support stand with the undisclosed bottom view being planar and unornamented;  
FIG. 2 is a side elevational view with its opposite side being a mirror image thereof;  
FIG. 3 is an end elevation view with the opposite end being a mirror image devoid of the extending plate; and,  
FIG. 4 is a perspective view thereof.

### [56] References Cited U.S. PATENT DOCUMENTS

D. 230,836 3/1974 Powers ..... D34/31  
D. 231,093 4/1974 Woldert, Jr. .... D34/31

**1 Claim, 2 Drawing Sheets**



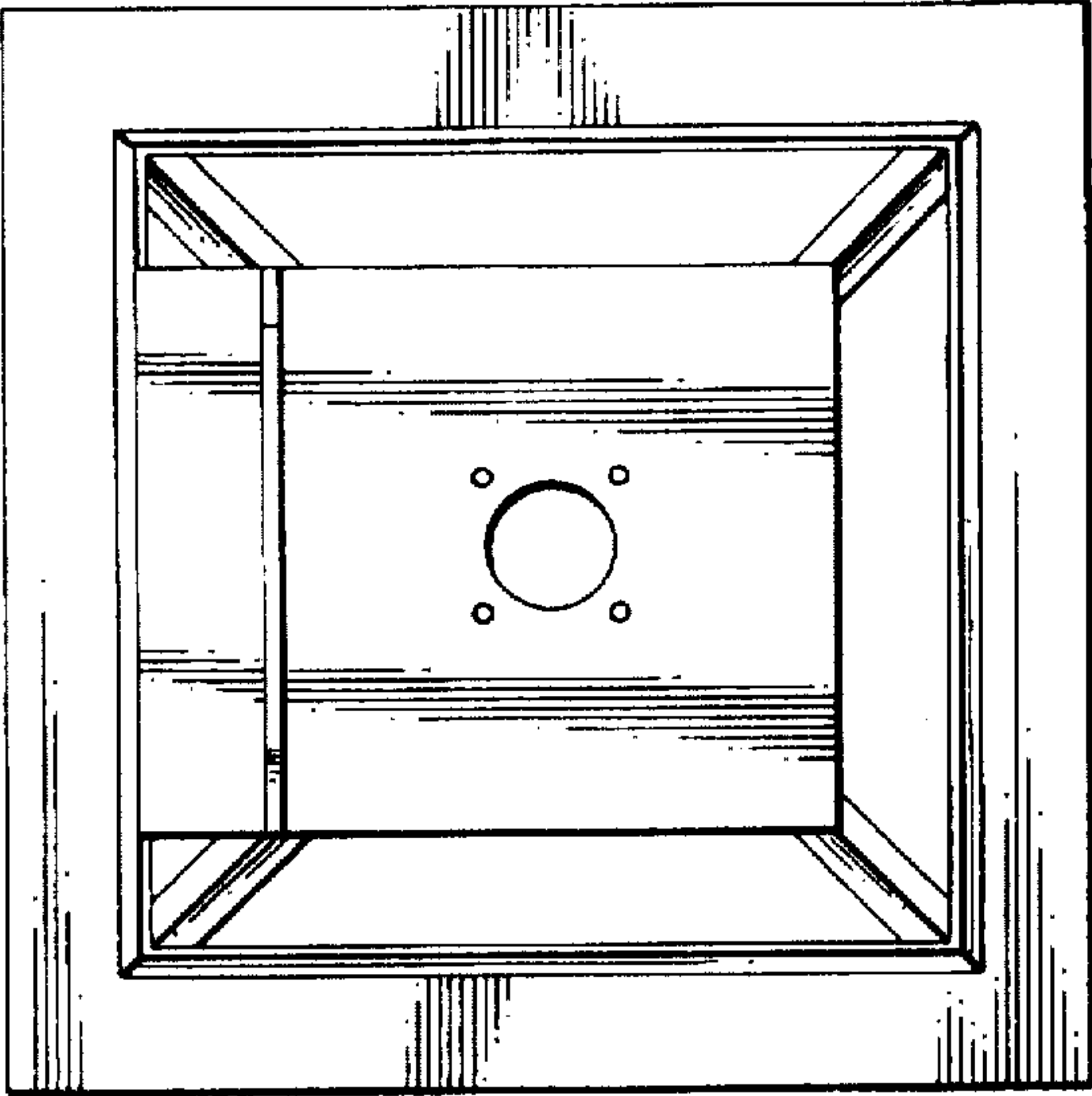


FIG. 1

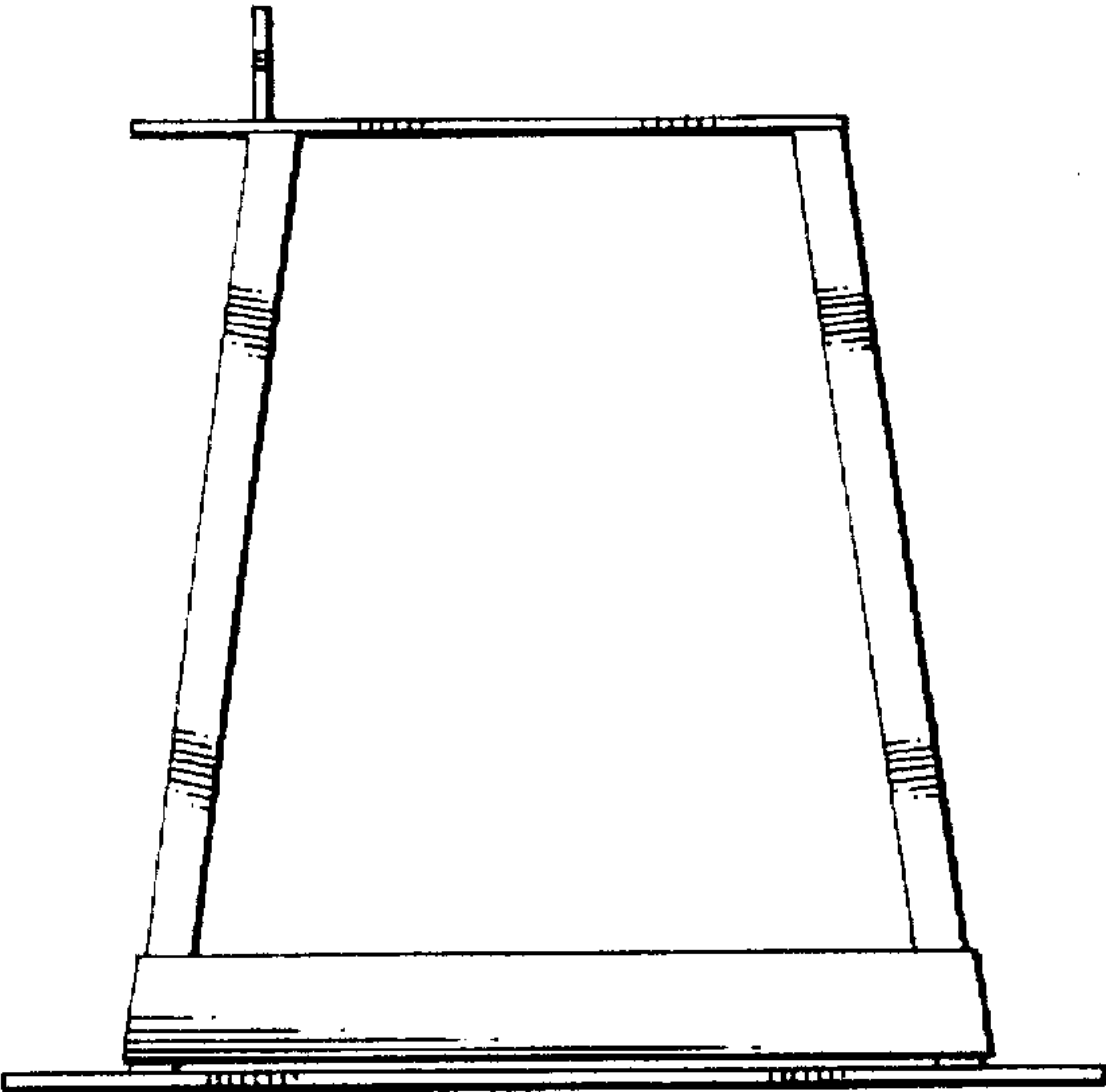


FIG. 2

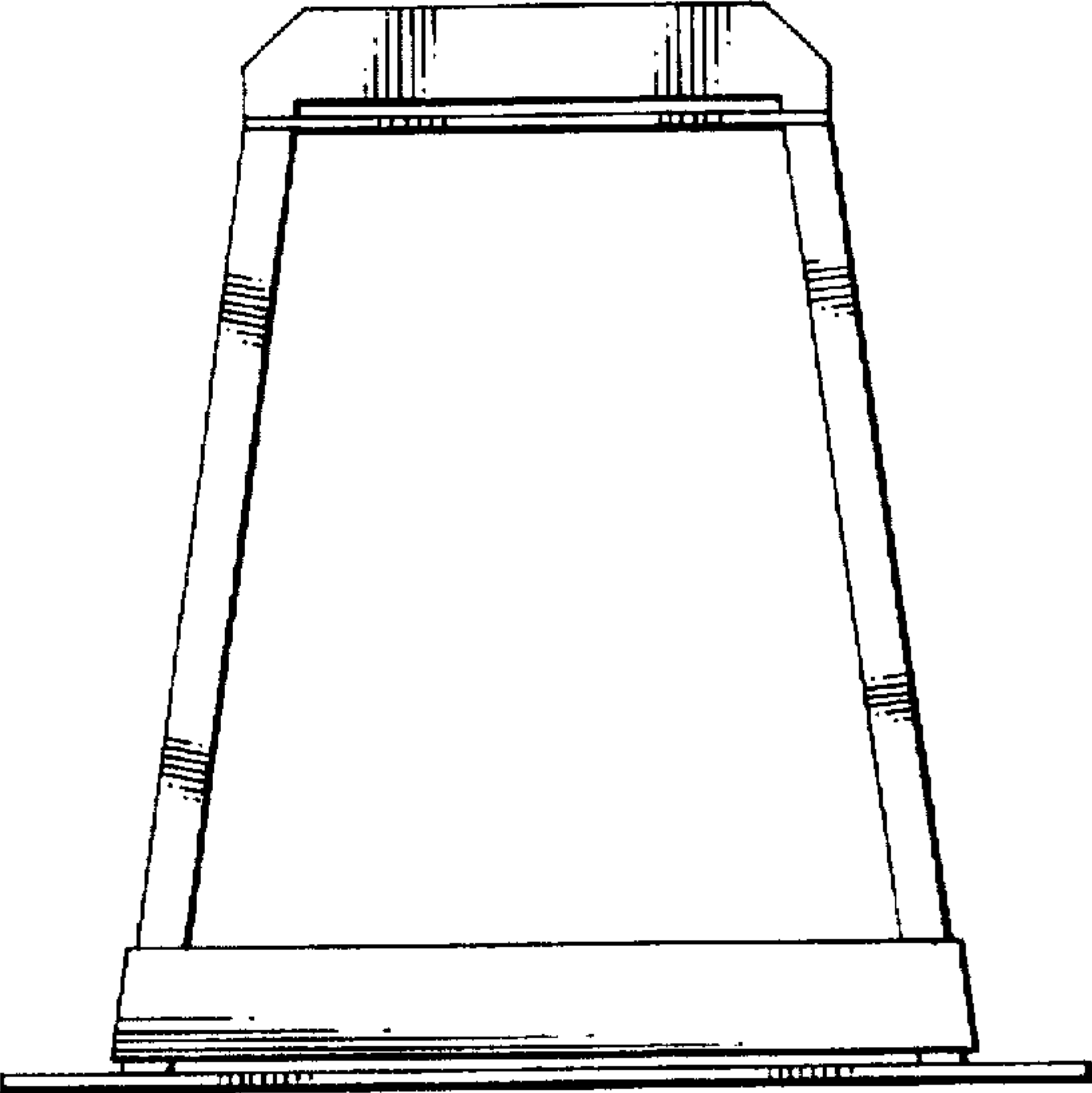


FIG. 3

FIG. 4

