



US00D394197S

# United States Patent [19]

Zeller

[11] Patent Number: Des. 394,197

[45] Date of Patent: \*\*May 12, 1998

[54] PORTABLE CABLE LOCK

[76] Inventor: Noel E. Zeller, c/o Zelco Industries, Inc. 630 S. Columbus Ave., Mount Vernon, N.Y. 10551-4445

[\*\*] Term: 14 Years

[21] Appl. No.: 71,818

[22] Filed: May 1, 1997

[51] LOC (6) Cl. .... 08-07

[52] U.S. Cl. .... D8/333

[58] Field of Search ..... D8/330-331, 333, D8/334; 70/14, 18, 20, 22-23, 30, 49

### [56] References Cited

#### U.S. PATENT DOCUMENTS

- D. 332,387 1/1993 Ling ..... D8/333
- D. 339,283 9/1993 Barros ..... D8/333
- D. 369,088 4/1996 Brendel ..... D8/333

Primary Examiner—Brian N. Vinson  
Attorney, Agent, or Firm—Donald S. Dowden

### [57] CLAIM

The ornamental design for a portable cable lock, as shown and described.

### DESCRIPTION

FIG. 1 is a rear view showing an embodiment of my new design;

FIG. 2 is a left side view thereof;

FIG. 3 is a top view thereof;

FIG. 4 is a front view thereof;

FIG. 5 is a right side view thereof;

FIG. 6 is a bottom view thereof; and,

FIG. 7 is a perspective view thereof, with the cable shown extended and the broken-line disclosure of a portion of a handle being for illustrative purposes only and forming no part of the claimed design.

1 Claim, 3 Drawing Sheets

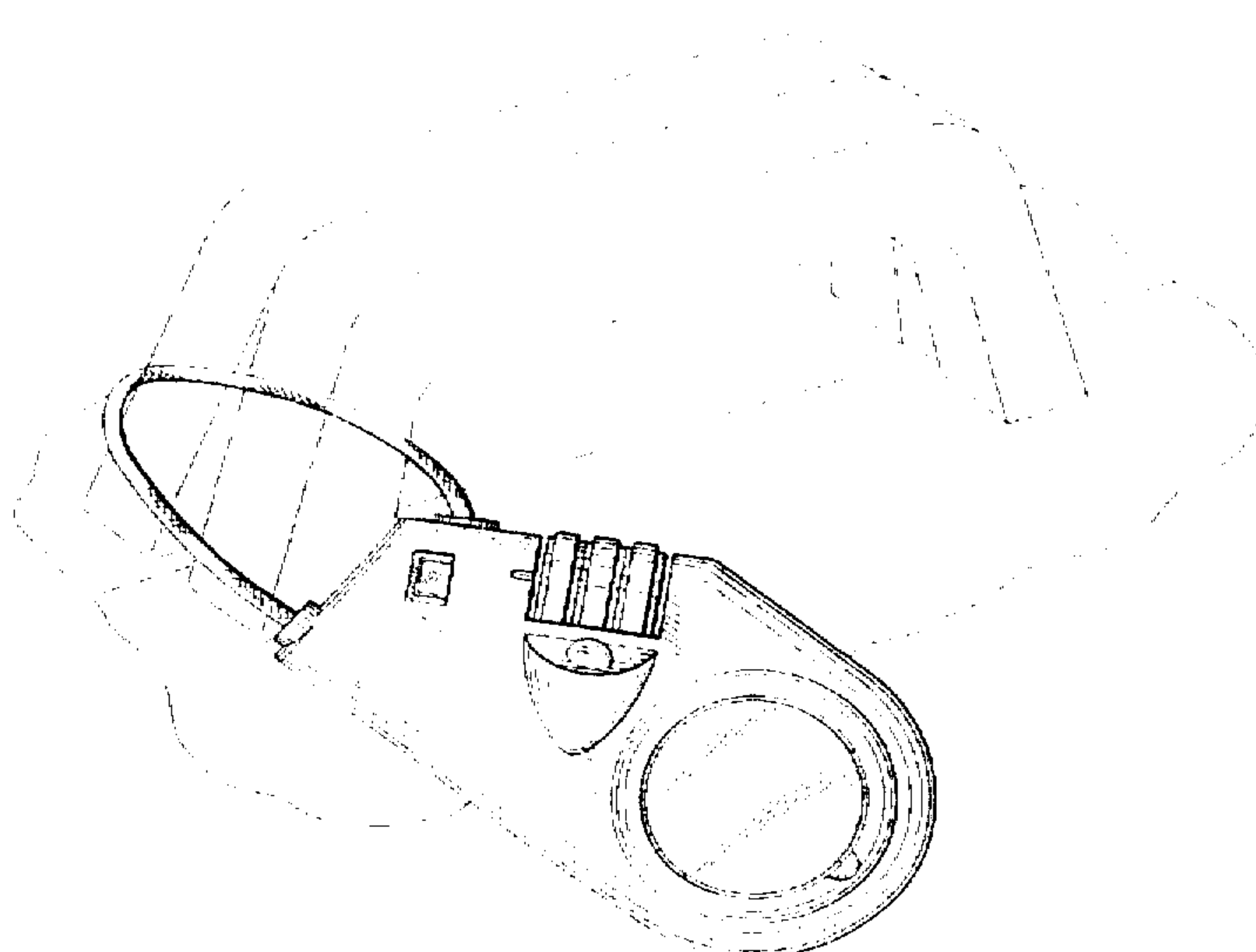
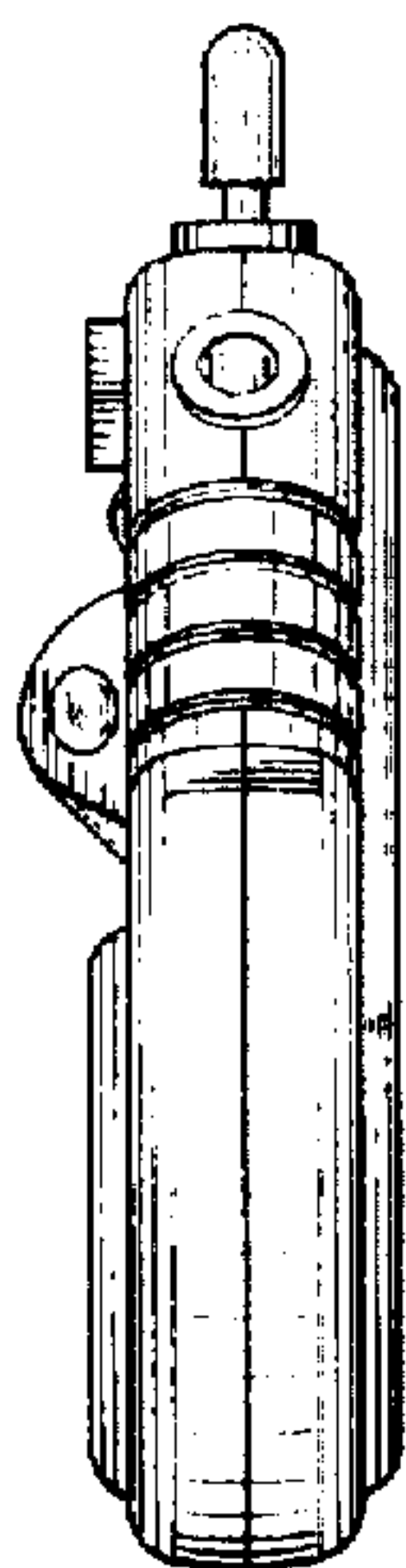
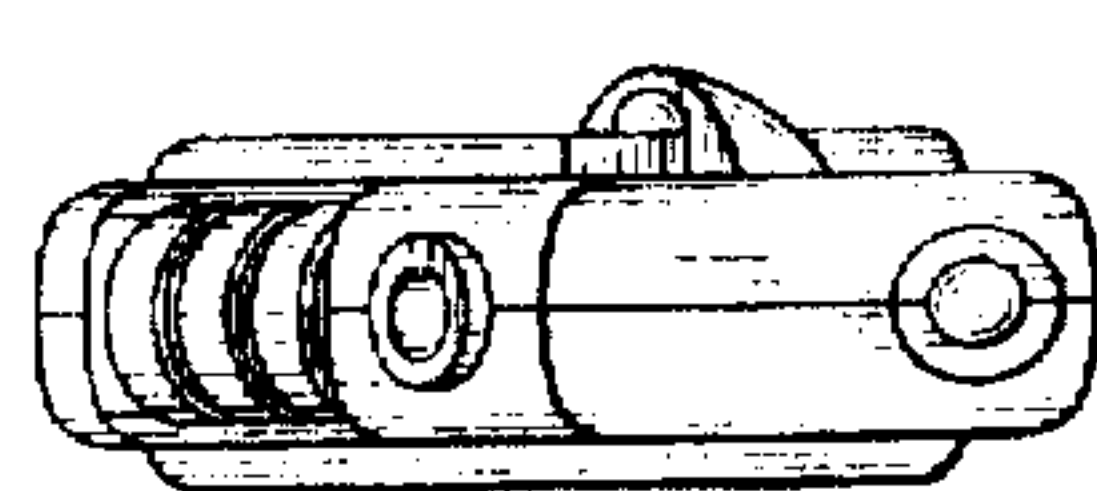


FIG. 4

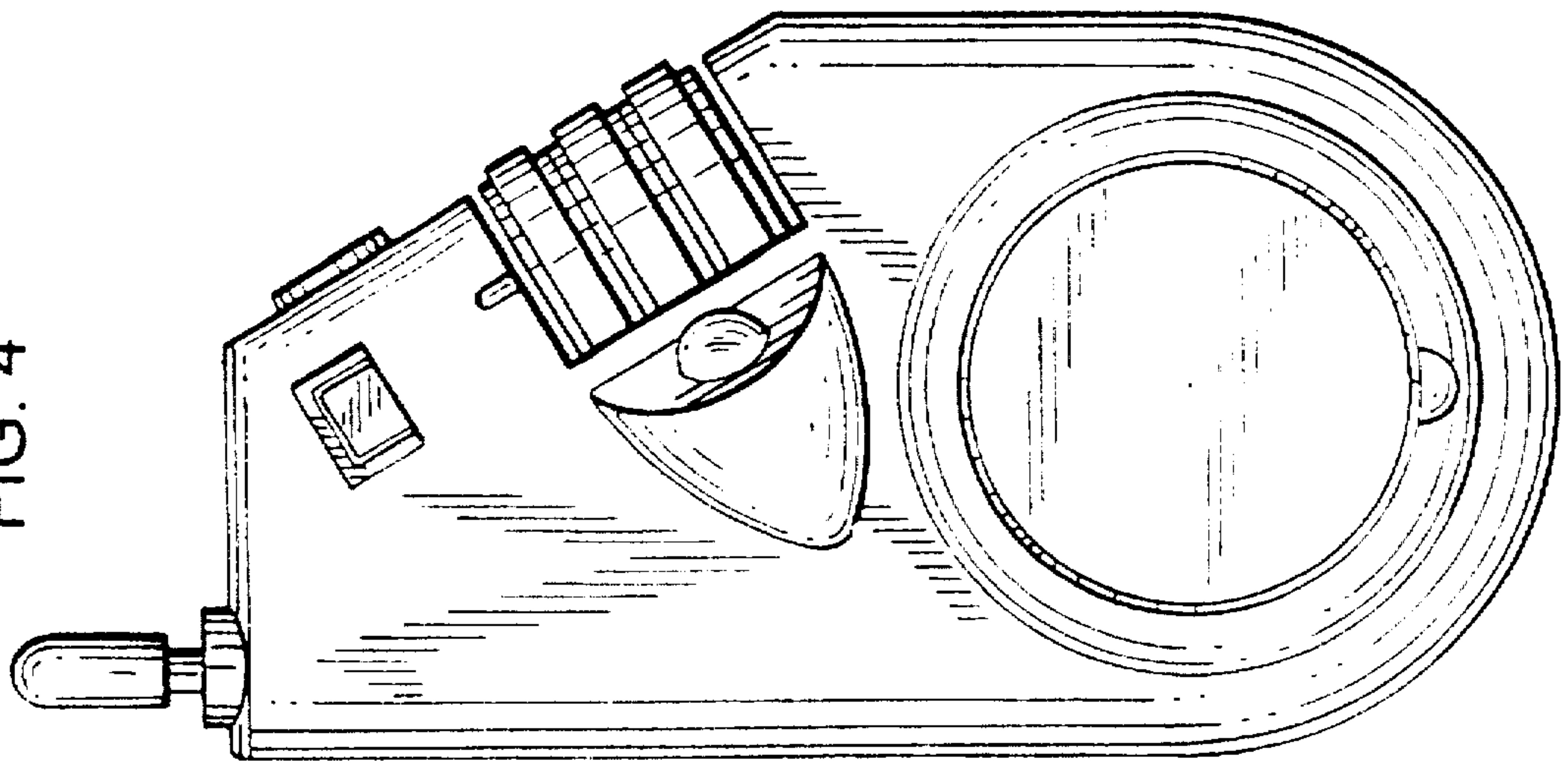


FIG. 2

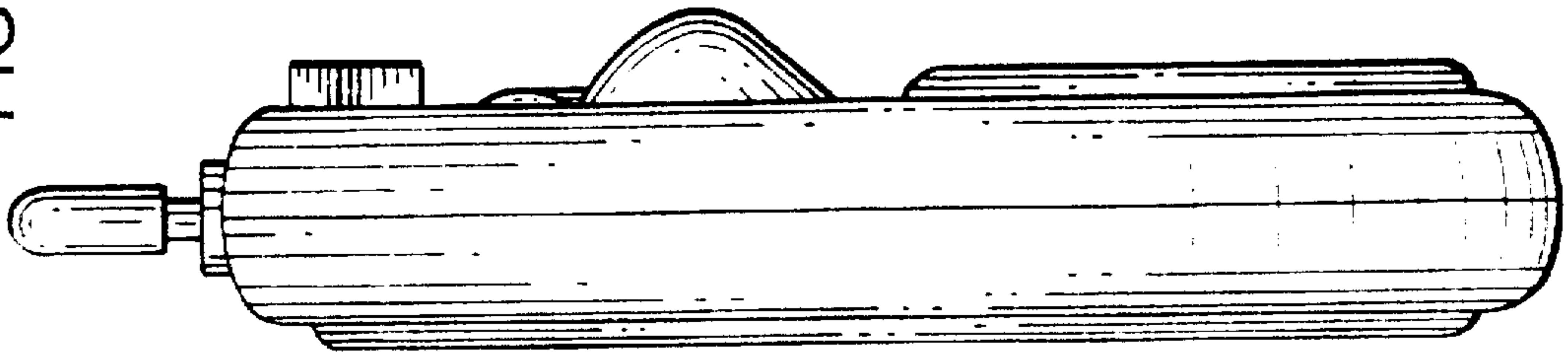


FIG. 1

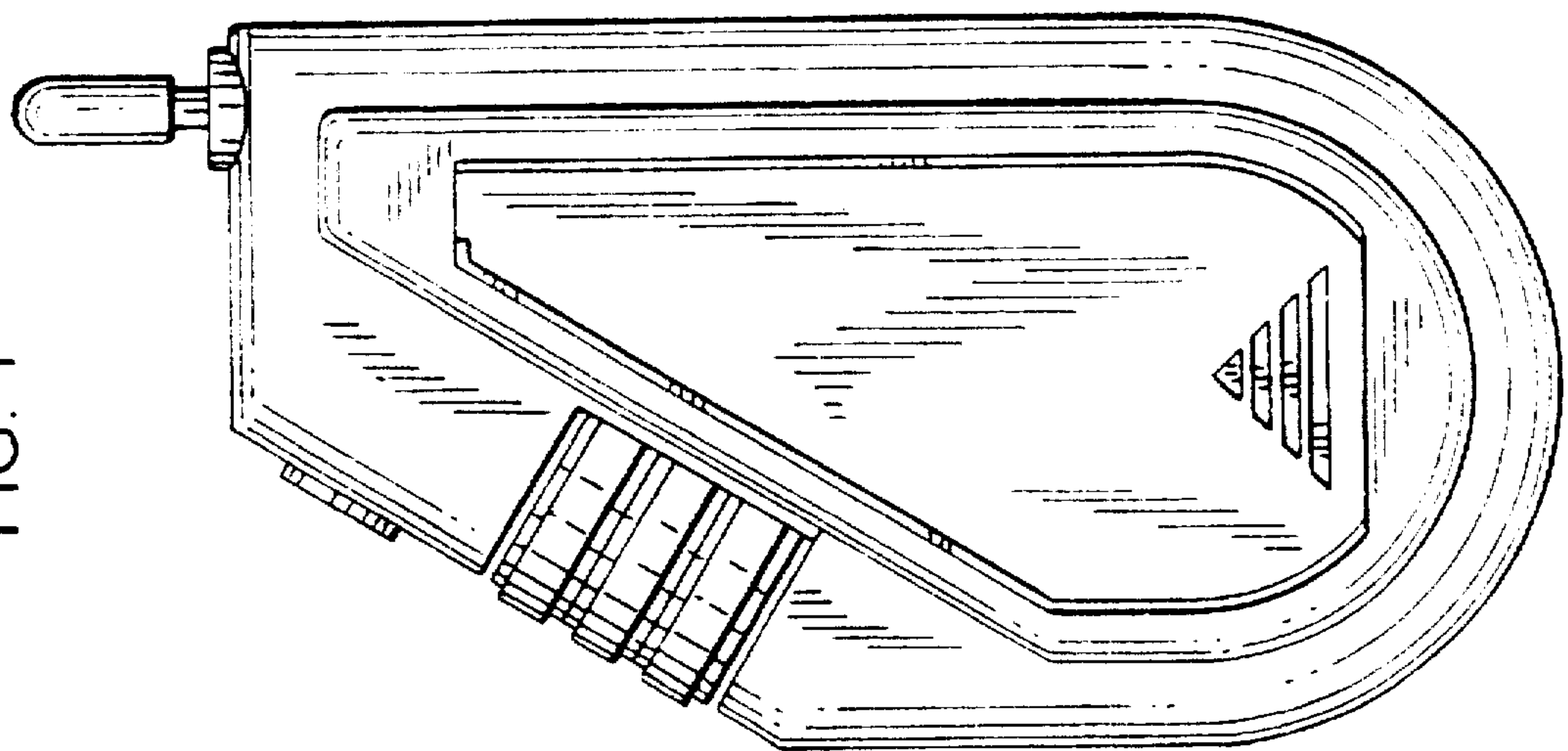


FIG. 3

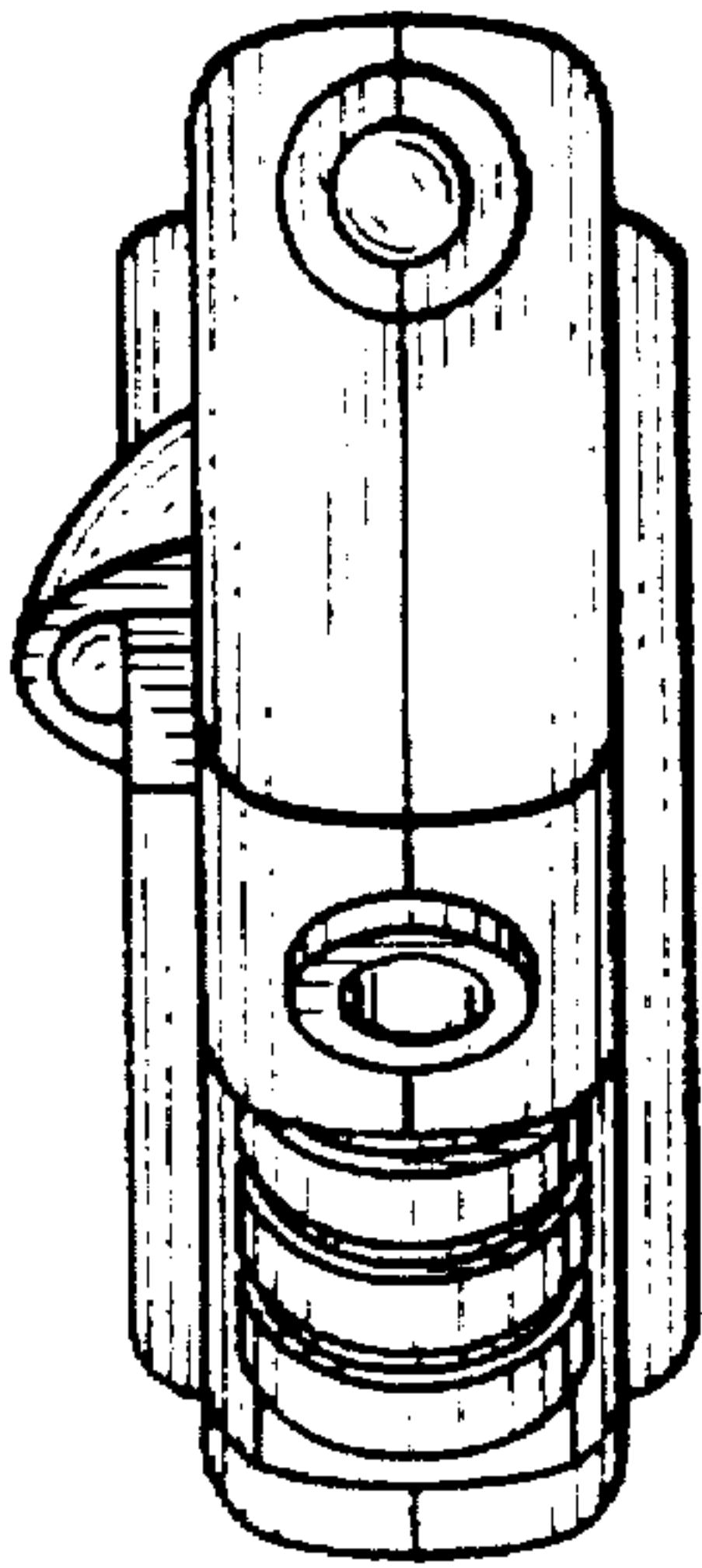


FIG. 6

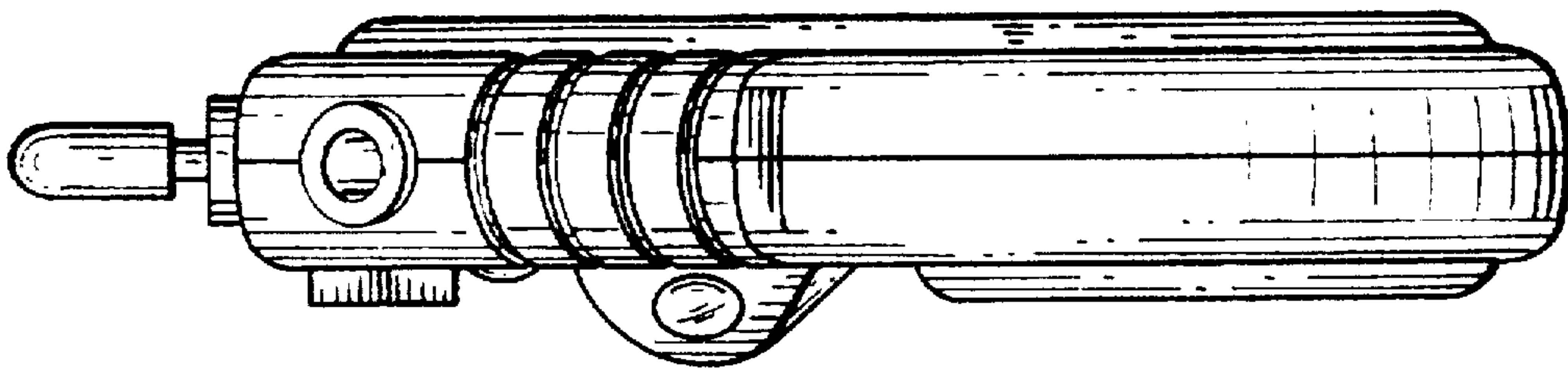
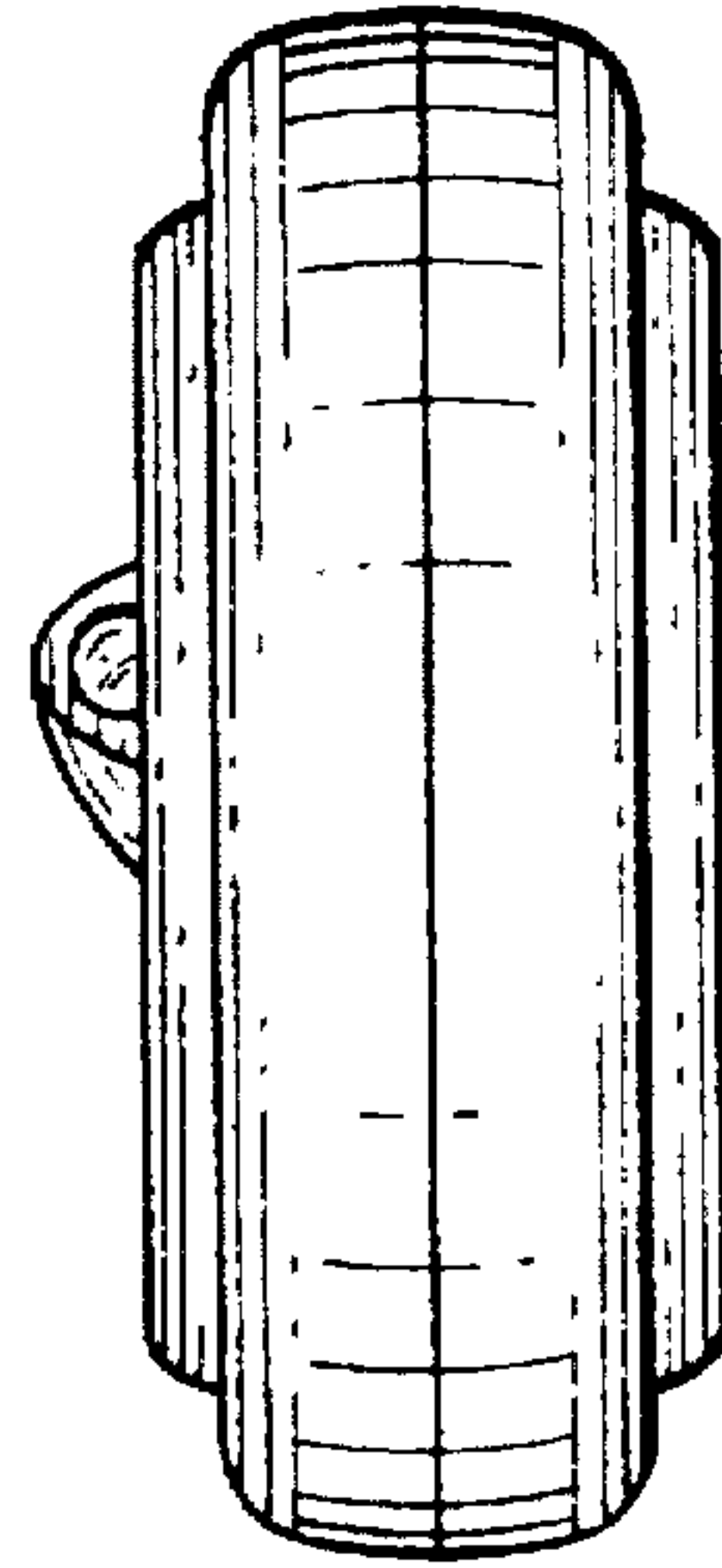


FIG. 5

FIG. 7

