



US00D394194S

United States Patent [19]

Brunsdon et al.

[11] Patent Number: **Des. 394,194**

[45] Date of Patent: ****May 12, 1998**

[54] UPRIGHT STAPLER

[75] Inventors: **Robert T. Brunsdon, Millis; George F. W. Boesel, Brookline, both of Mass.**

[73] Assignee: **Hunt Holdings, Inc., Wilmington, Del.**

[**] Term: **14 Years**

[21] Appl. No.: **53,021**

[22] Filed: **Mar. 29, 1996**

[51] LOC (6) Cl. **19-02**

[52] U.S. Cl. **D8/50; D19/65; D8/107**

[58] Field of Search D21/198; D8/49, D8/50, 51, 98, 105; 227/107, 110, 120, 124, 126, 127, 128, 132, 134, 155; D19/65, 72, 95, 99, 100; 492/49, 126, 127

[56] **References Cited**

U.S. PATENT DOCUMENTS

D. 191,290	9/1961	Belbow	D8/49
D. 302,791	8/1989	Ebihara	D8/50
D. 333,957	3/1993	Chan	D8/50
1,830,650	11/1931	Falk	227/134 X
2,286,155	6/1942	Pankonin	227/124 X

3,103,012	9/1963	Kohen et al.	227/134 X
3,987,951	10/1976	Thornhill	227/120
4,623,141	11/1986	Salvino	482/127 X
4,943,047	7/1990	Noble	482/49

Primary Examiner—Martie Thompson
Attorney, Agent, or Firm—Synnestvedt & Lechner

[57] **CLAIM**

The ornamental design for an upright stapler, as shown and described.

DESCRIPTION

FIG. 1 is a perspective view of an upright stapler showing our new design;
FIG. 2 is a right elevational view of the upright stapler shown in FIG. 1, the left view being a mirror image thereof;
FIG. 3 is a front elevational view of the upright stapler shown in FIG. 1;
FIG. 4 is a rear elevational view of the upright stapler shown in FIG. 1;
FIG. 5 is a top plan view of the upright stapler shown in FIG. 1; and
FIG. 6 is a bottom plan view of the upright stapler shown in FIG. 1.

1 Claim, 3 Drawing Sheets

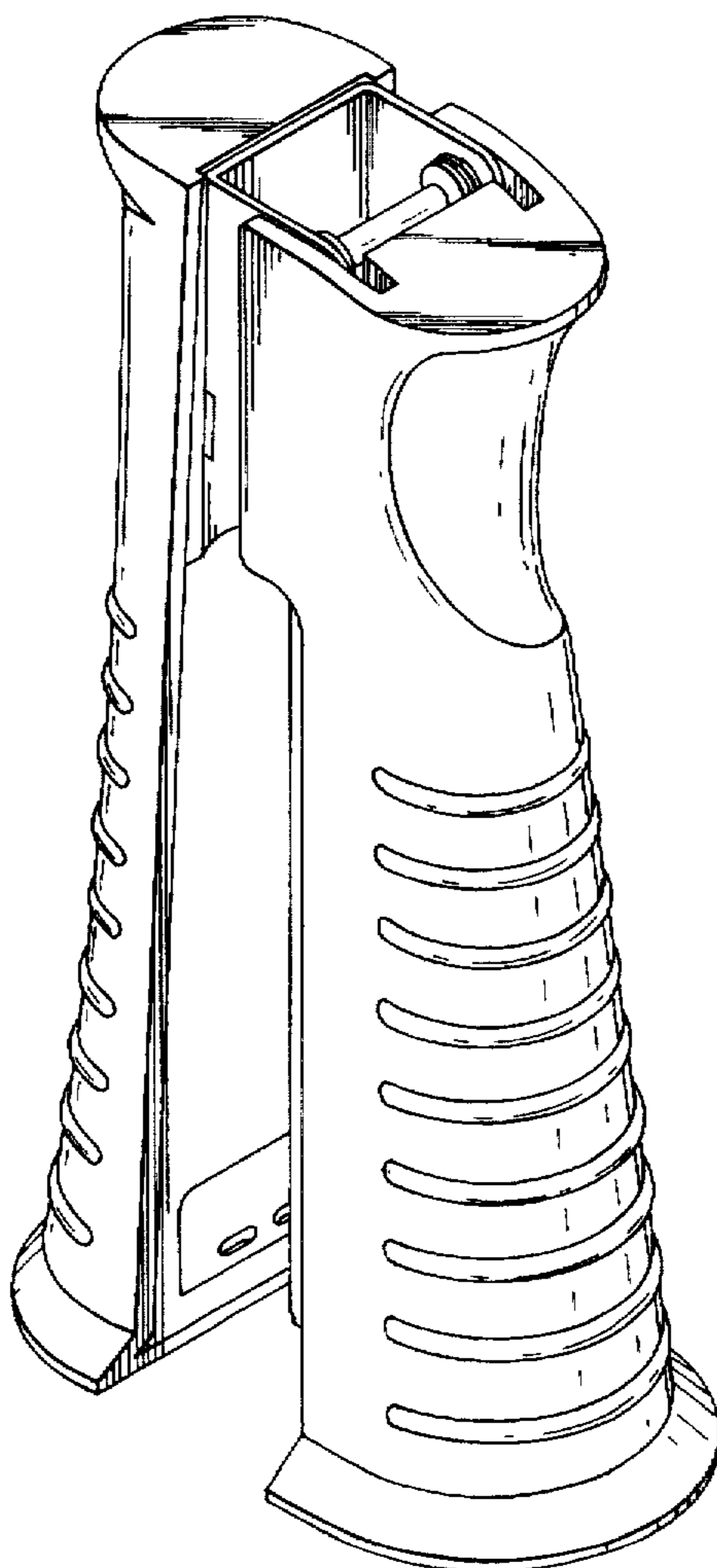


FIG. 1

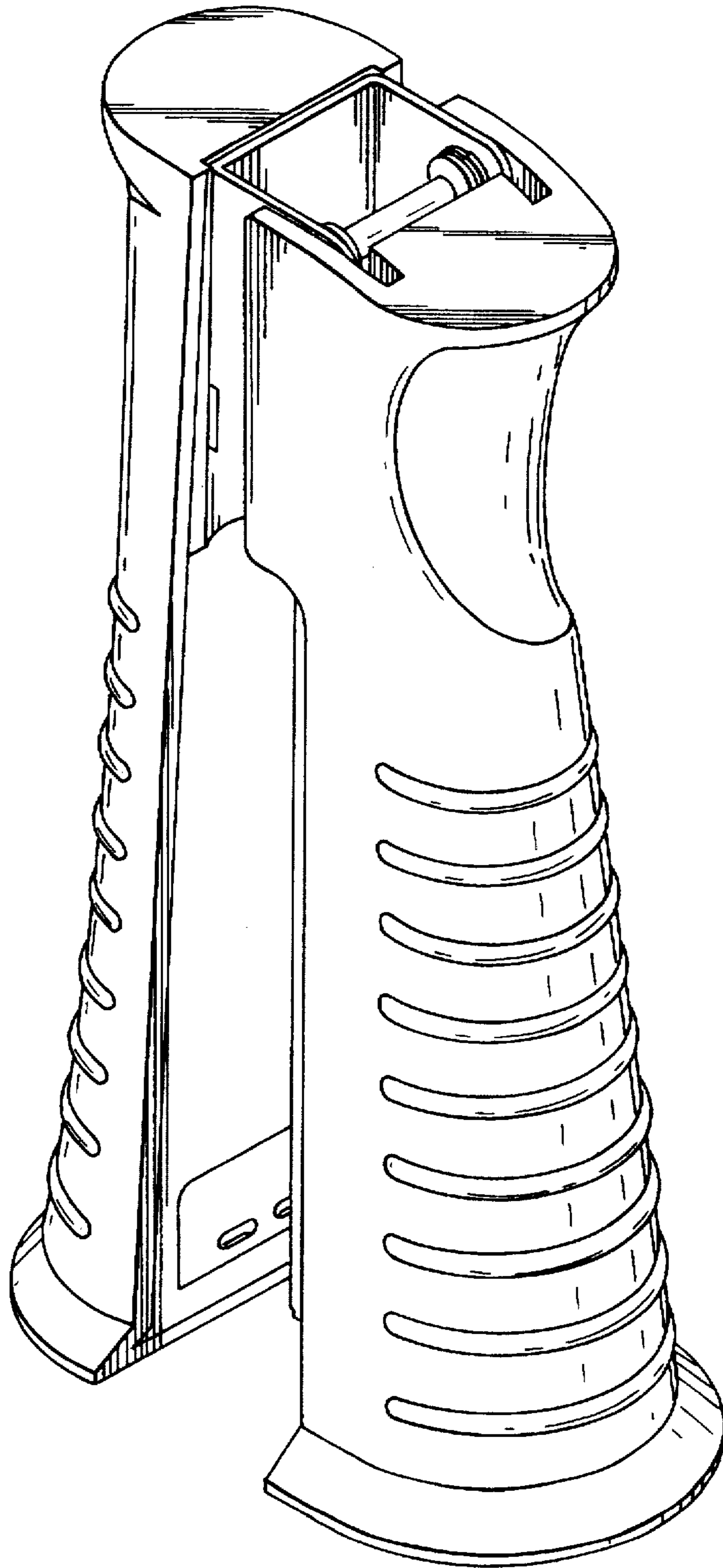


FIG. 2

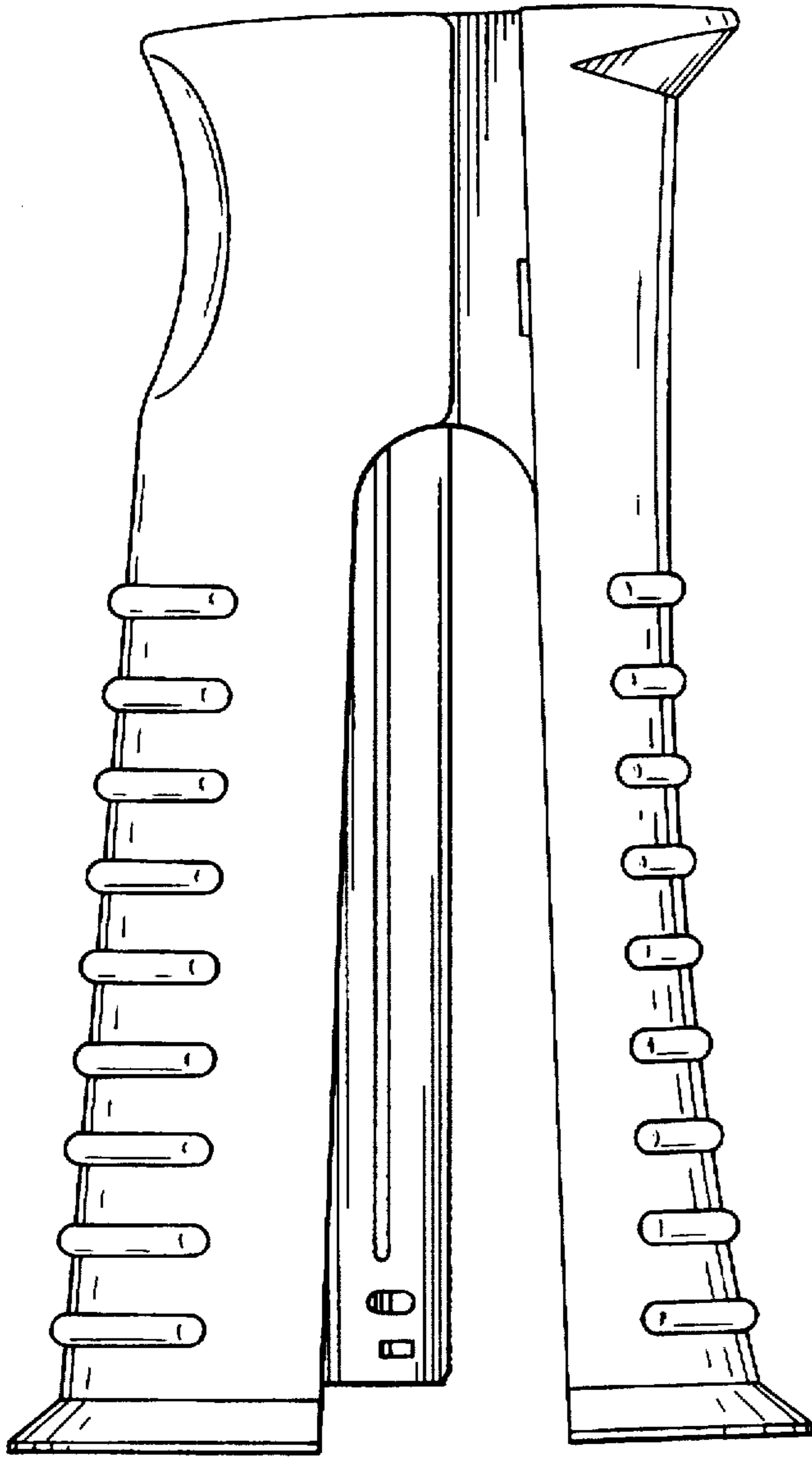


FIG. 3

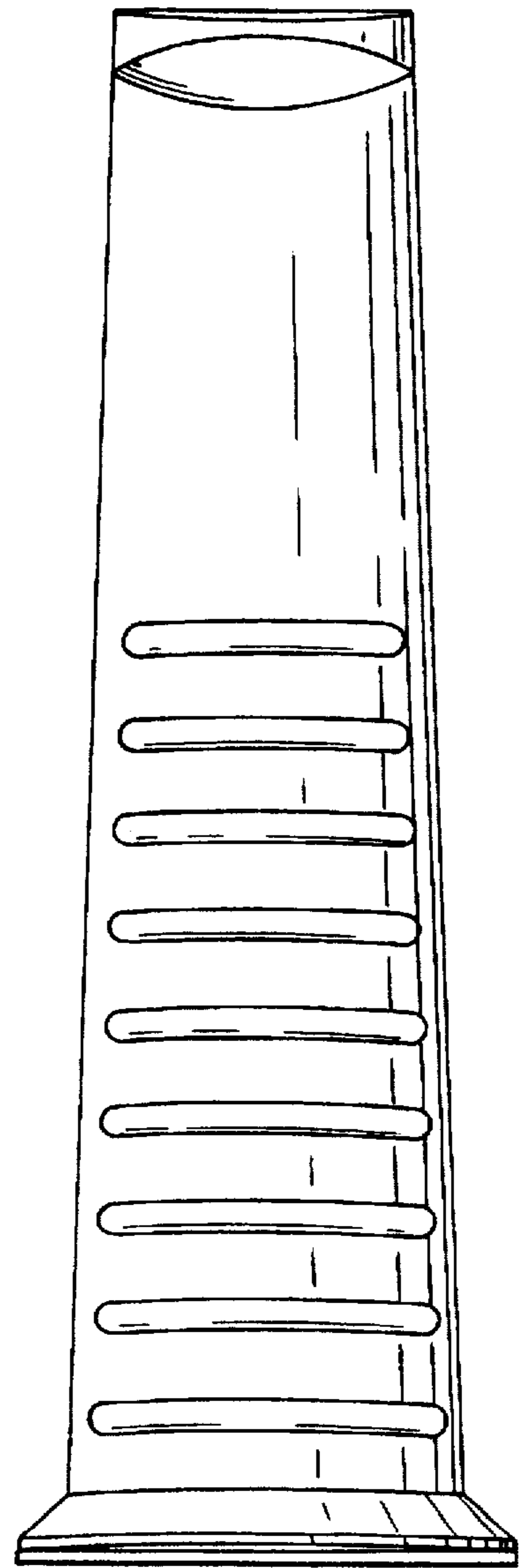


FIG. 4

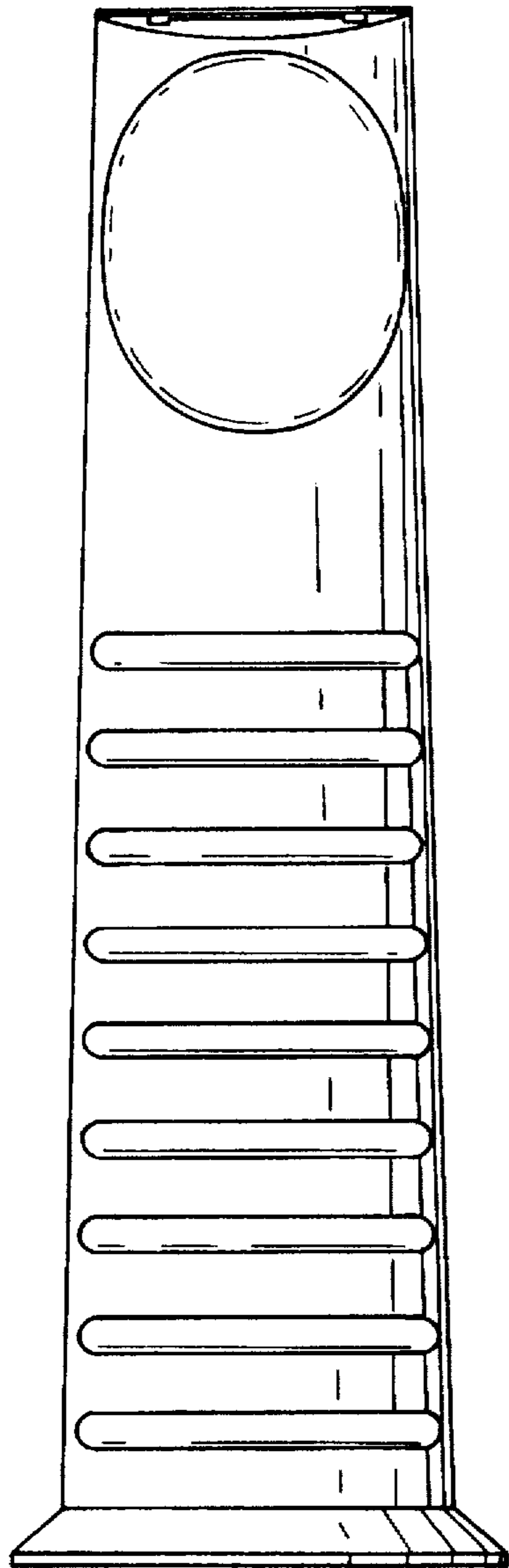


FIG. 5

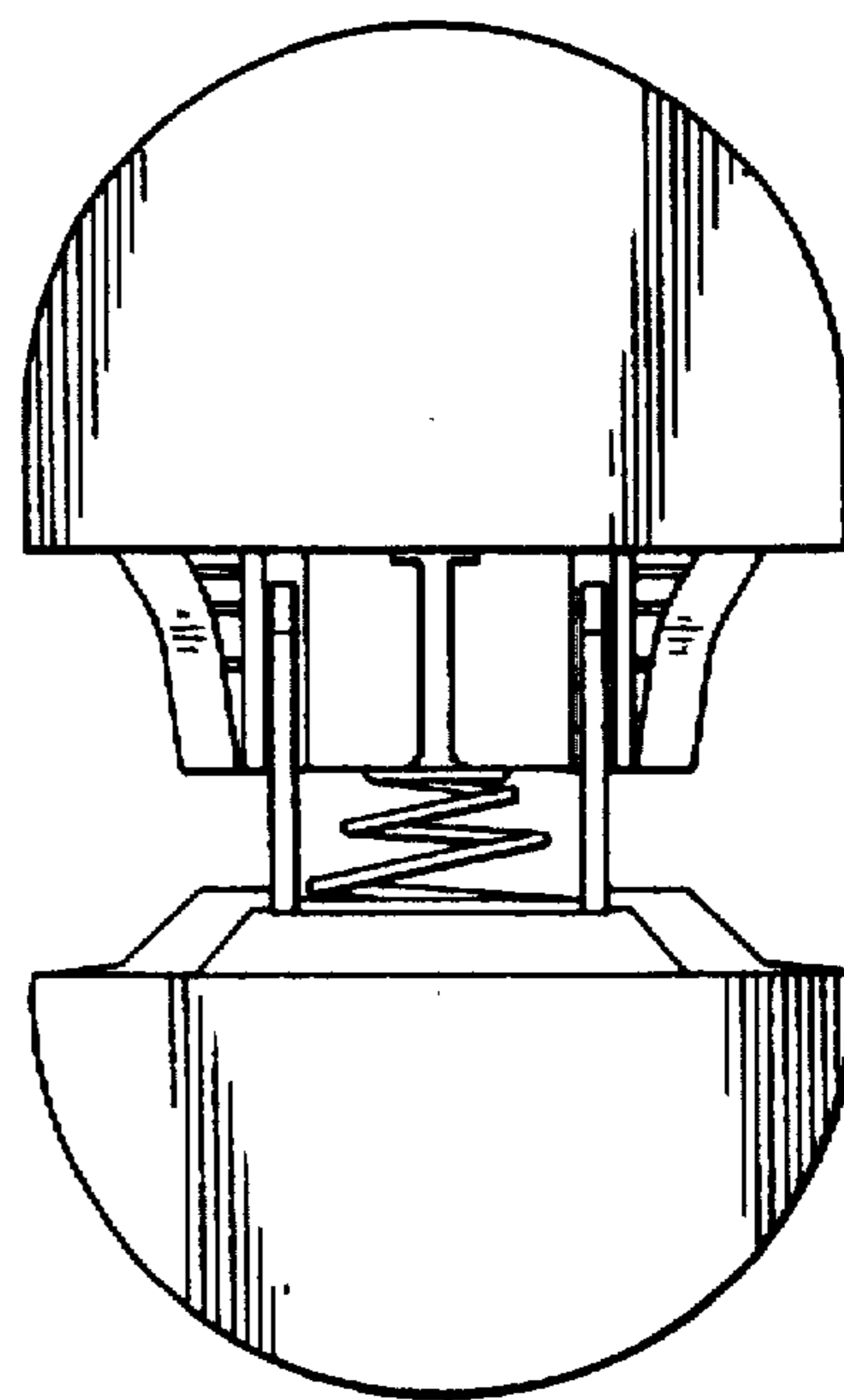
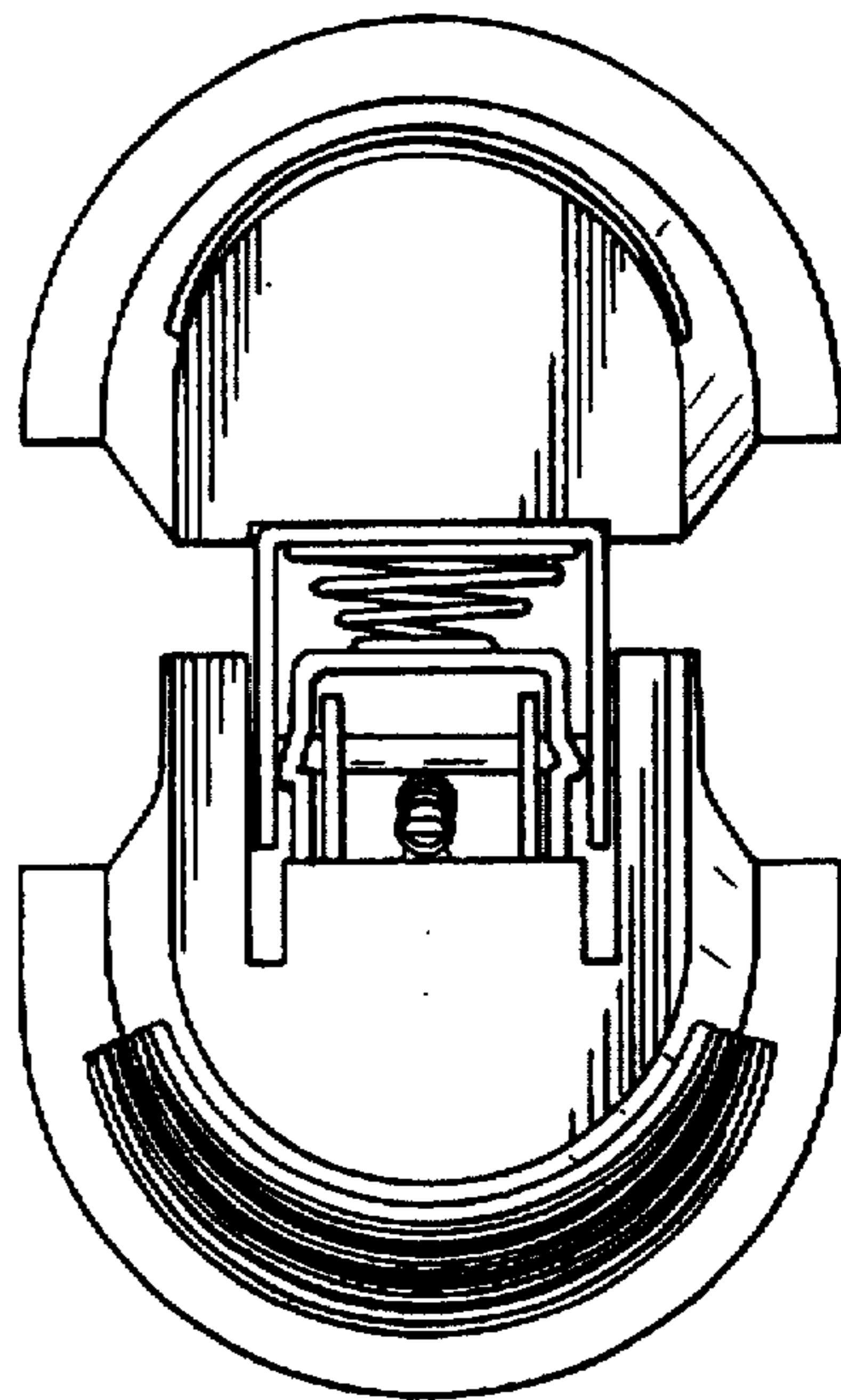


FIG. 6