



US00D394186S

**United States Patent** [19]  
**Dodane**

[11] **Patent Number:** **Des. 394,186**  
[45] **Date of Patent:** **\*\*May 12, 1998**

[54] **COOKWARE HANDLE**

[76] **Inventor:** **Paul Dodane**, B.P. 10, 25490  
Fesches-Le-Chatel, France

[\*\*] **Term:** **14 Years**

[21] **Appl. No.:** **59,175**

[22] **Filed:** **Sep. 4, 1996**

[30] **Foreign Application Priority Data**  
Mar. 4, 1996 [FR] France ..... 961459

[51] **LOC (6) Cl.** ..... **07-02**

[52] **U.S. Cl.** ..... **D7/395**

[58] **Field of Search** ..... D7/323, 354, 355,  
D7/356, 361, 393, 395; 16/110 R, 110 A,  
114 A, 116 R, 118; 220/752, 912; D8/107

[56] **References Cited**

**U.S. PATENT DOCUMENTS**

D. 157,677 3/1950 Hess ..... D7/395  
D. 273,755 5/1984 Thurlow ..... D7/361 X  
D. 347,141 5/1994 Maillard ..... D7/361

1,943,585 1/1934 Cummins et al. .... 16/114 A

*Primary Examiner*—Caron D. Veynar  
*Attorney, Agent, or Firm*—Burns, Doane, Swecker & Mathis, L.L.P.

[57] **CLAIM**

The ornamental design for a cookware handle, as shown and described.

**DESCRIPTION**

FIG. 1 is a perspective view of a cookware handle showing my new design;

FIG. 2 is a top plan view of the cookware handle of FIG. 1;

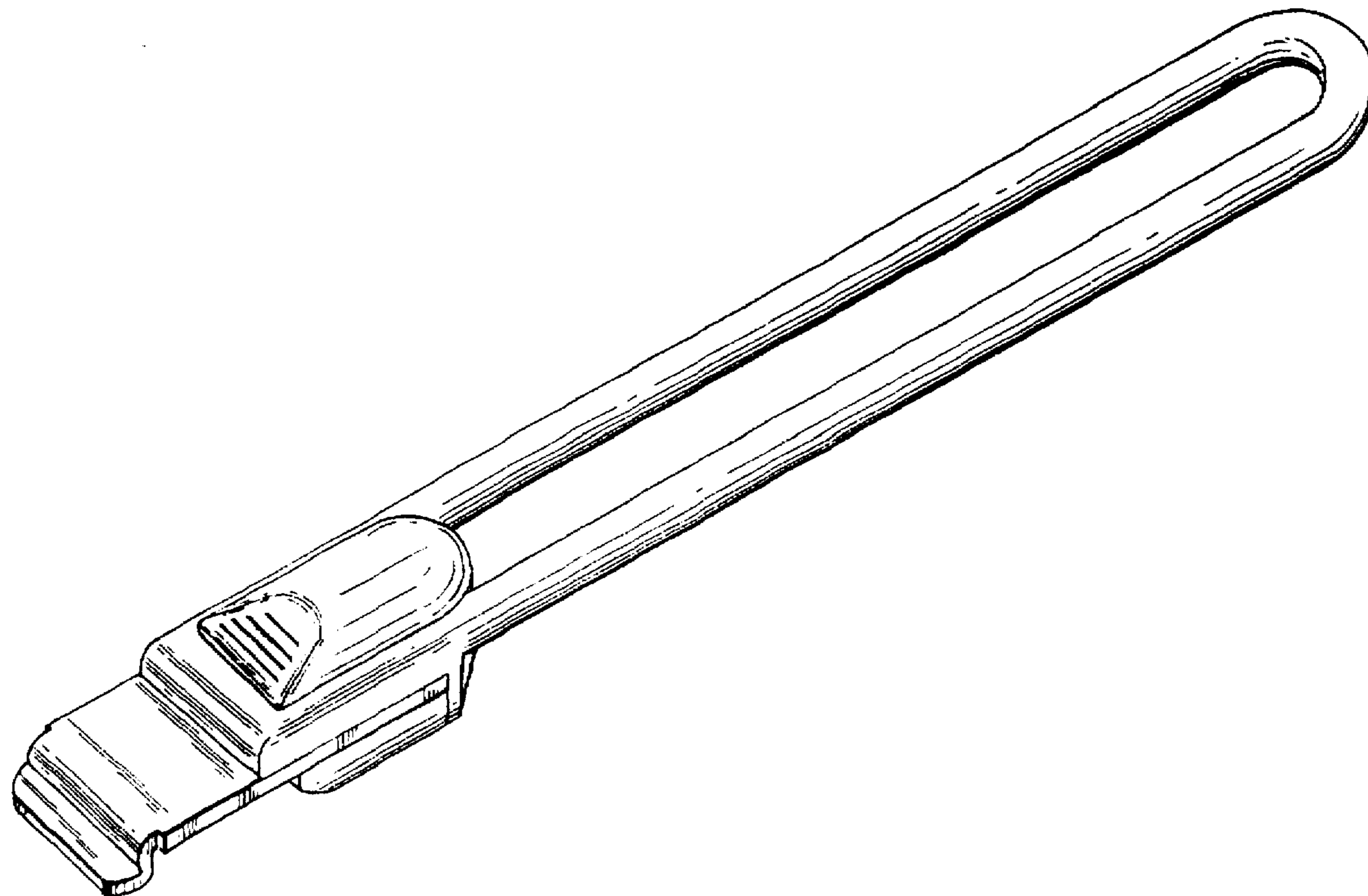
FIG. 3 is a side elevational view of the cookware handle of FIG. 1, the opposite side view being a mirror image thereof;

FIG. 4 is a bottom plan view of the cookware handle of FIG. 1;

FIG. 5 is a back end view of the cookware handle of FIG. 1; and,

FIG. 6 is a front end view of the cookware handle of FIG. 1.

**1 Claim, 1 Drawing Sheet**



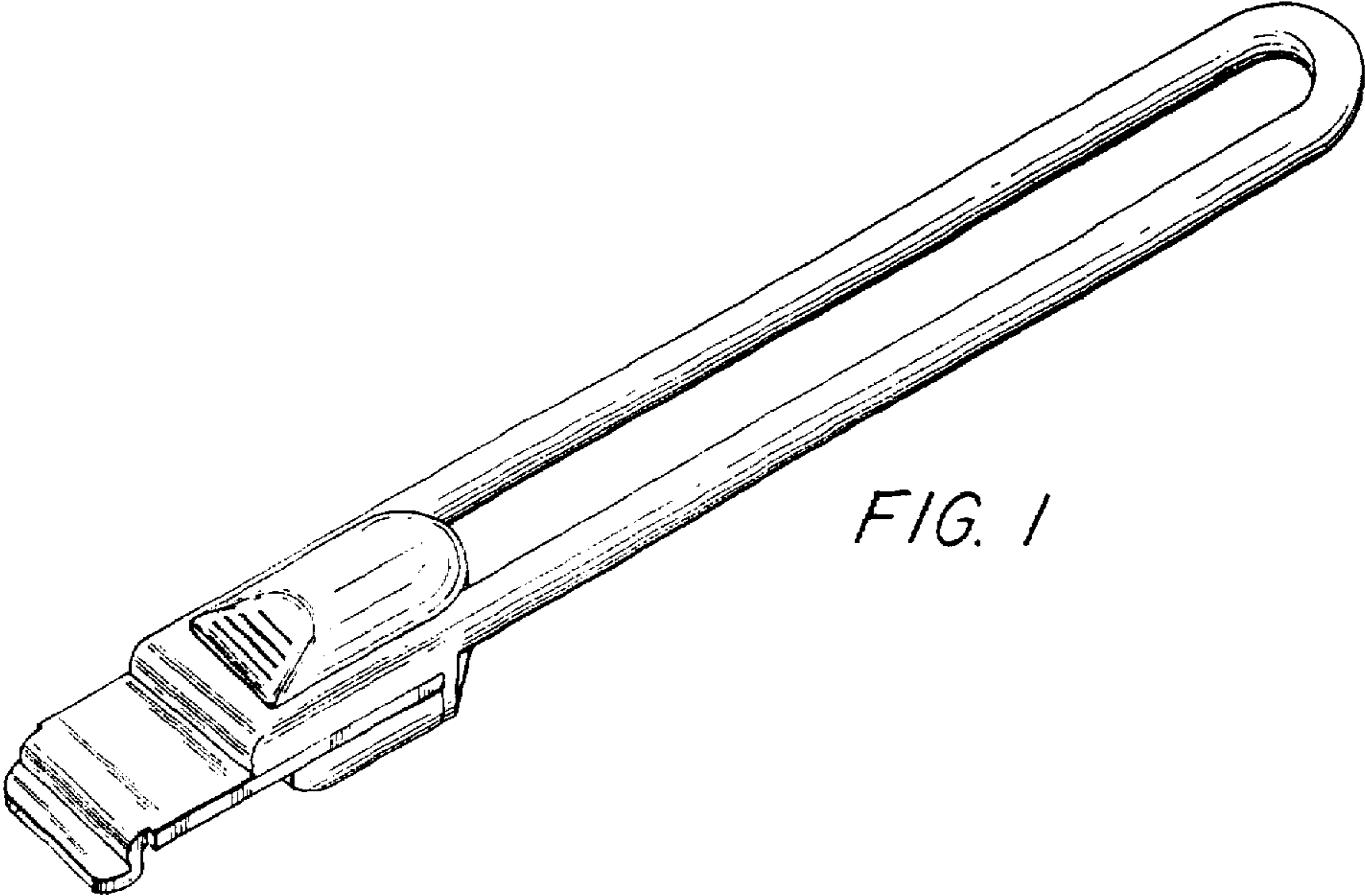


FIG. 1

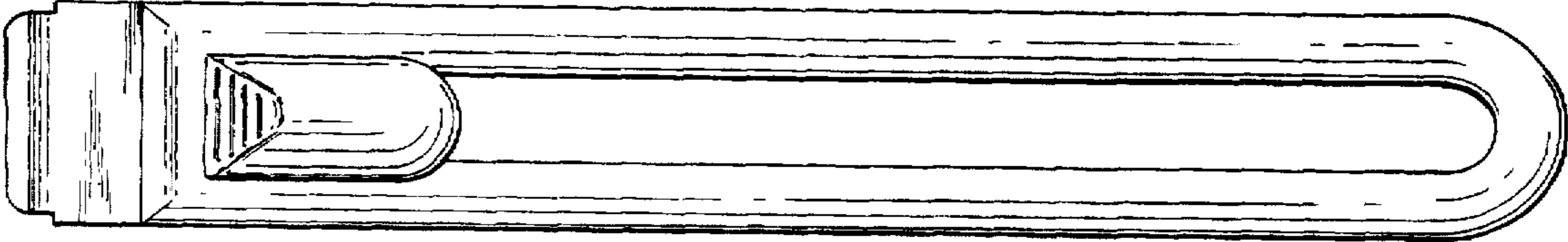


FIG. 2

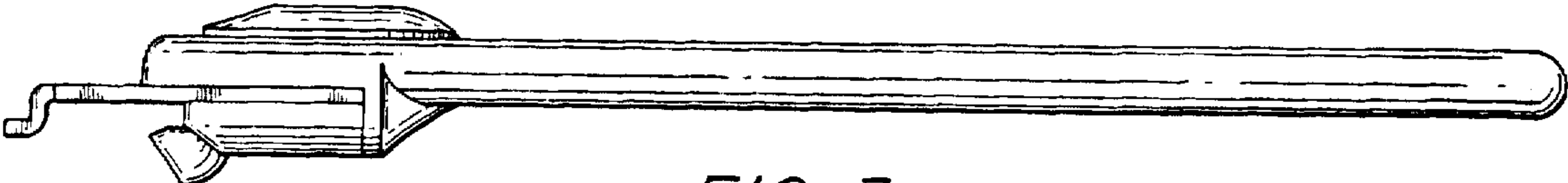


FIG. 3

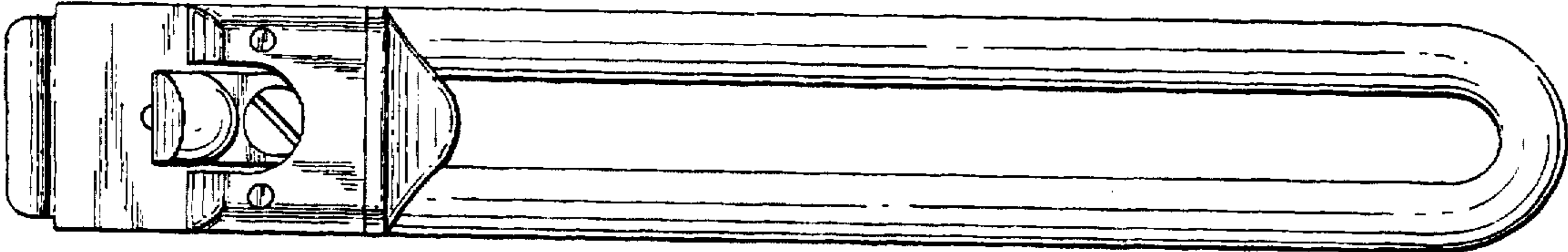


FIG. 4

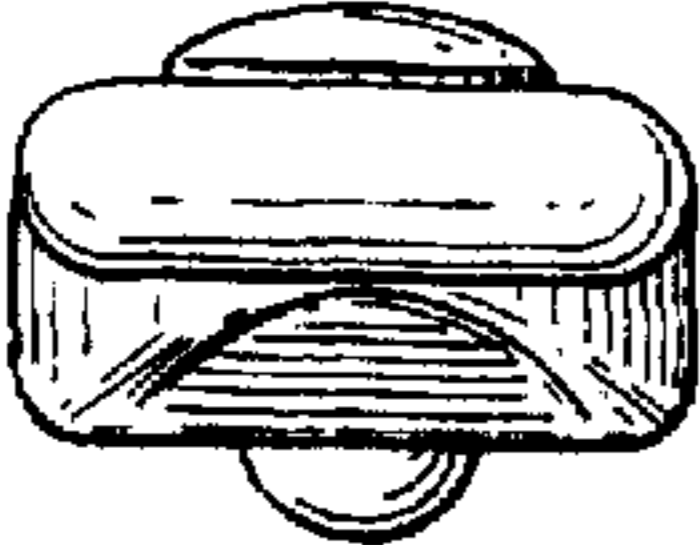


FIG. 5

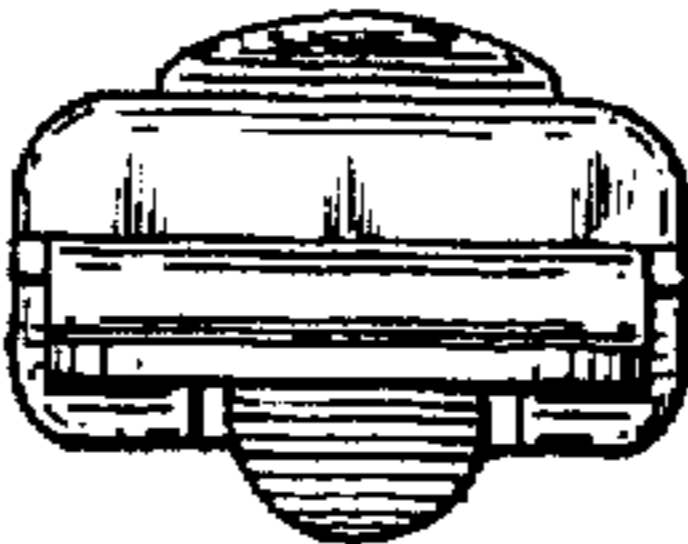


FIG. 6