



US00D394183S

United States Patent [19]

Arita et al.

[11] Patent Number: **Des. 394,183**

[45] Date of Patent: ****May 12, 1998**

[54] **FOOD PROCESSOR**

[75] Inventors: **Toyomi Arita**, Osaka; **Shigehiro Uemura**, Kyoto; **Kazuo Takada**, Nara, all of Japan

[73] Assignee: **Sanyo Electric Co., Ltd.**, Osaka, Japan

[**] Term: **14 Years**

[21] Appl. No.: **73,952**

[22] Filed: **Jul. 8, 1997**

[30] **Foreign Application Priority Data**

Jan. 8, 1997 [JP] Japan 9-272

[51] LOC (6) Cl. **31-00**

[52] U.S. Cl. **D7/384; D7/372**

[58] Field of Search D7/368-374, 376-384, D7/386; 241/37.5, 92, 93, 282.1, 282.2

[56] **References Cited**

U.S. PATENT DOCUMENTS

- D. 196,323 9/1963 Allen et al. D7/373
- D. 290,677 7/1987 Stutzer et al. D7/383 X
- D. 311,659 10/1990 Storsberg D7/384
- D. 339,502 9/1993 Kamiyama D7/376 X

D. 366,595 1/1996 Dobson et al. D7/384

OTHER PUBLICATIONS

Krups brochure. Krups "Mini Pro" #708 Mini Food Processor, undated, 3 pages.

Primary Examiner—Caron D. Veynar
Attorney, Agent, or Firm—Loeb & Loeb LLP

[57] **CLAIM**

The ornamental design for a food processor, as shown and described.

DESCRIPTION

FIG. 1 is a front perspective view of a food processor showing our new design, the food processor includes a battery that is fragmentarily shown in broken lines for illustrative purposes only and forms no part of the claimed design;

FIG. 2 is a front view of FIG. 1;

FIG. 3 is a rear view thereof;

FIG. 4 is a top view thereof;

FIG. 5 is a bottom view thereof;

FIG. 6 is a left side view thereof; and,

FIG. 7 is a right side view thereof.

1 Claim, 4 Drawing Sheets

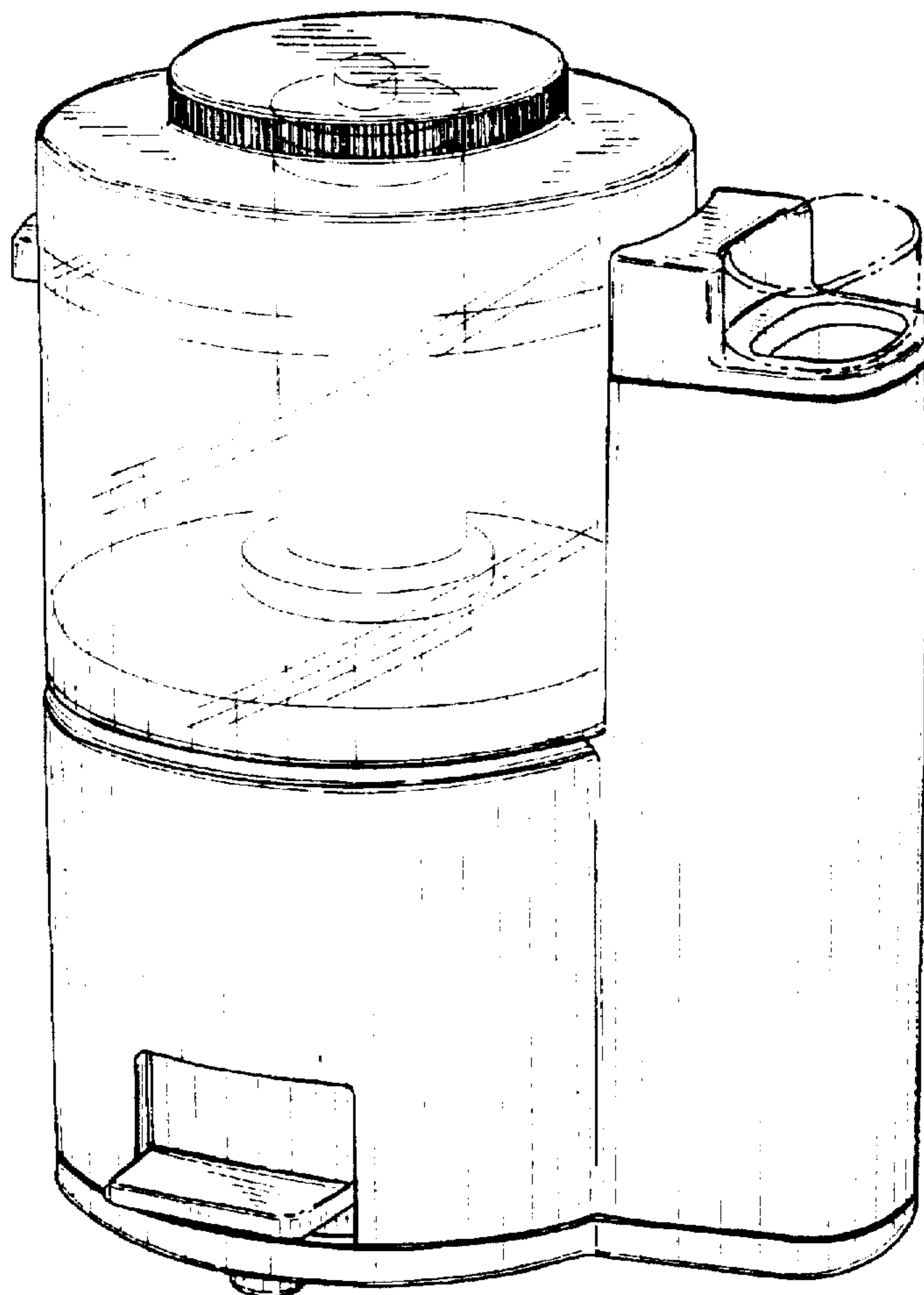


FIG. 1

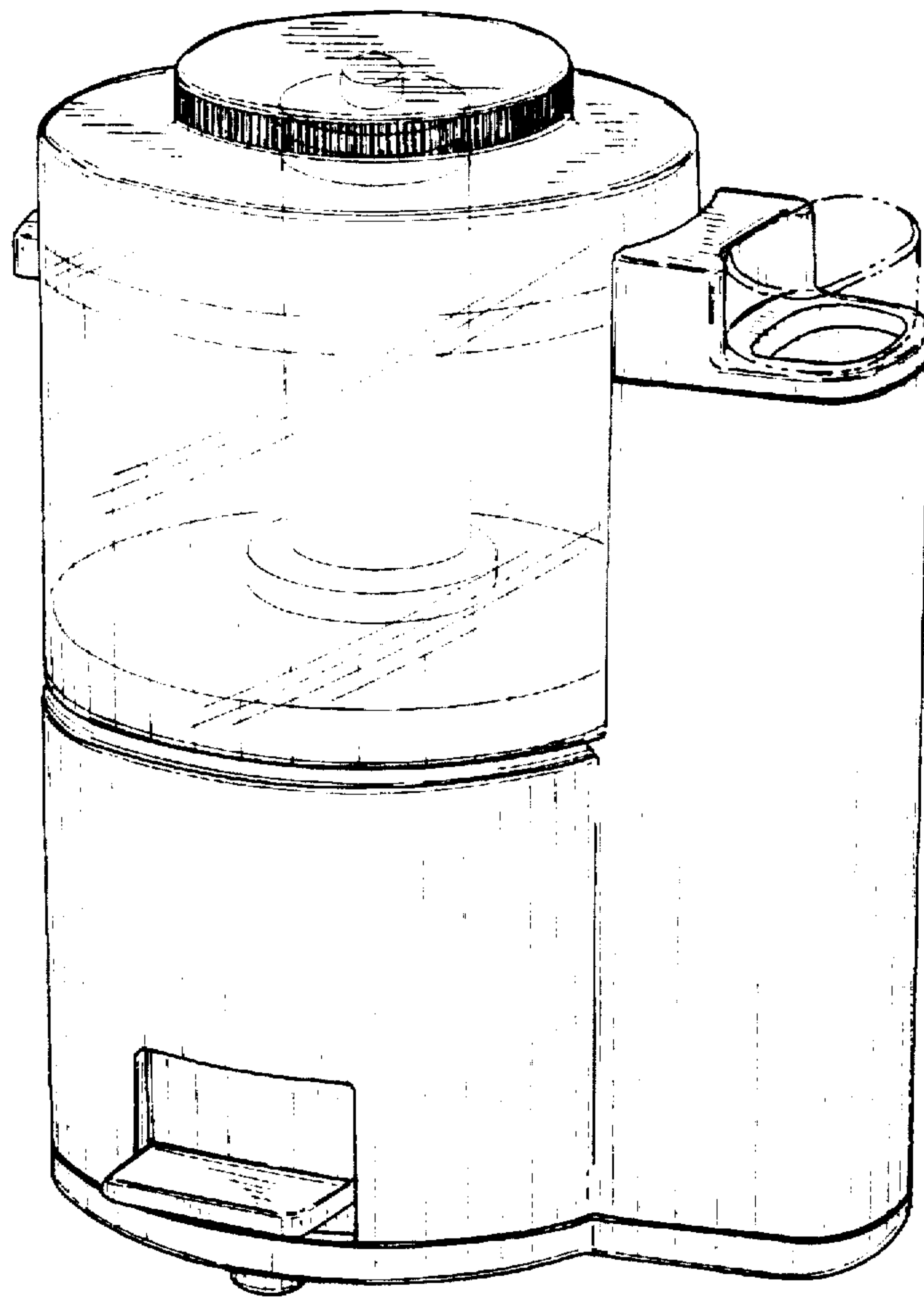


FIG. 3

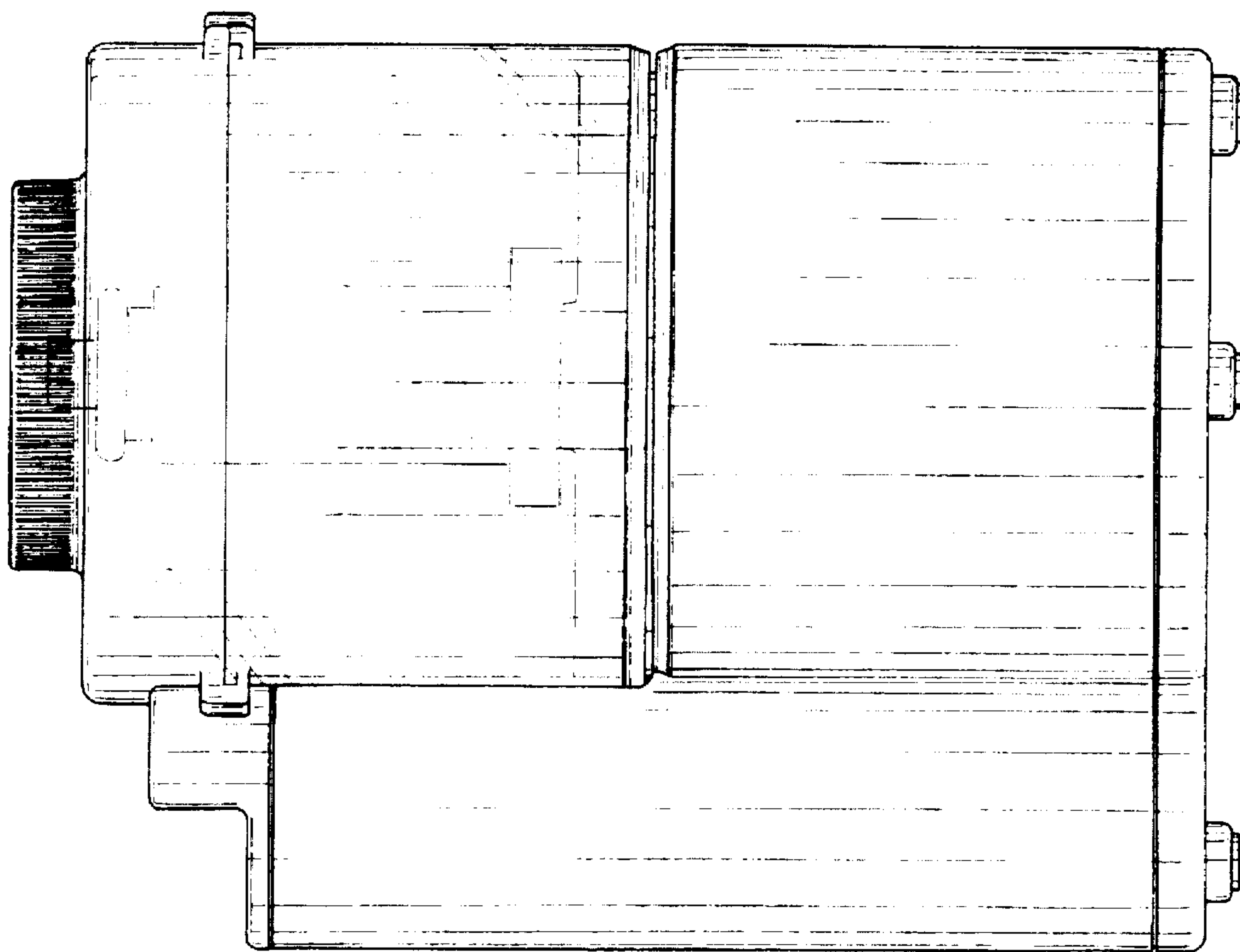


FIG. 2

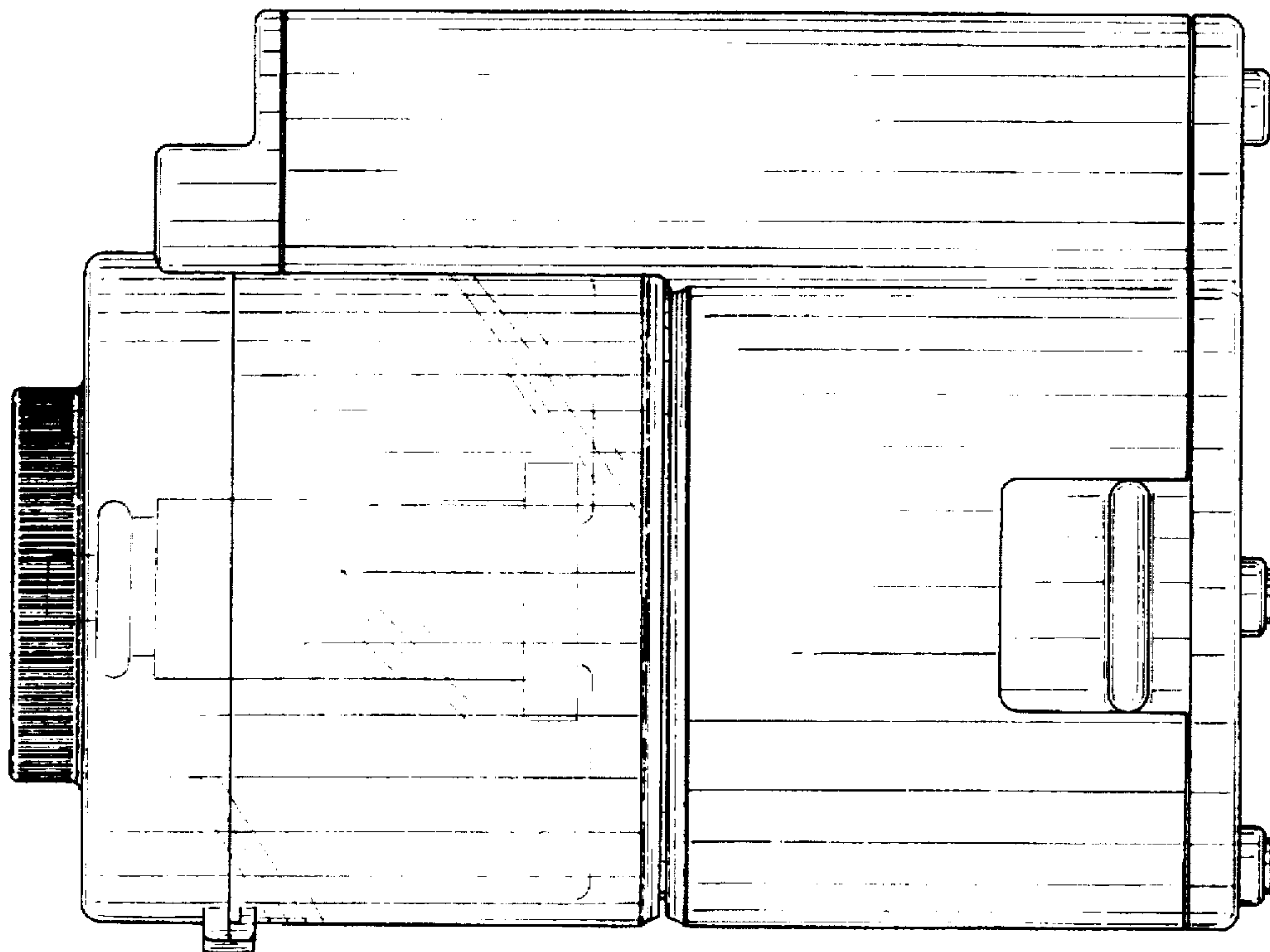


FIG. 5

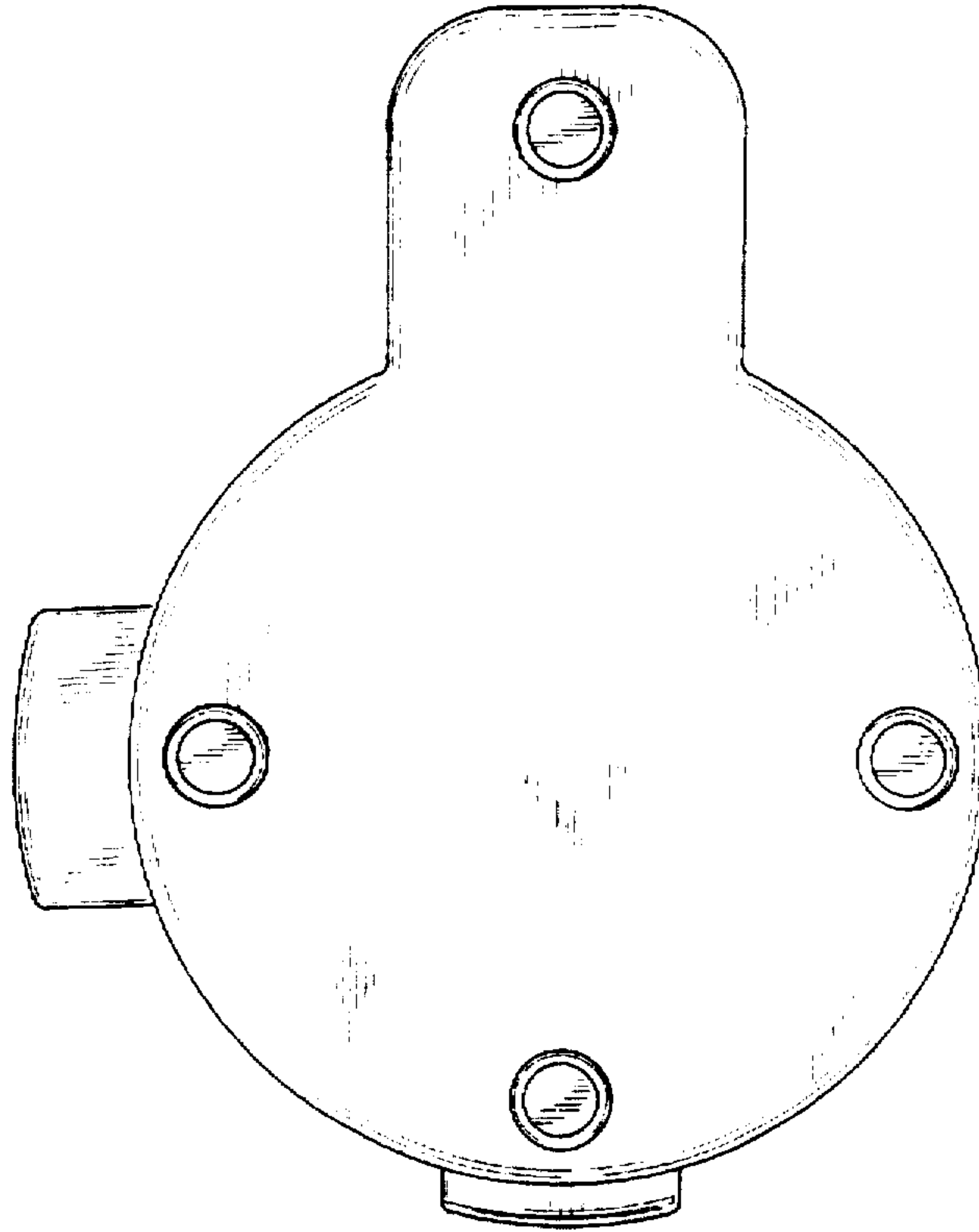


FIG. 4

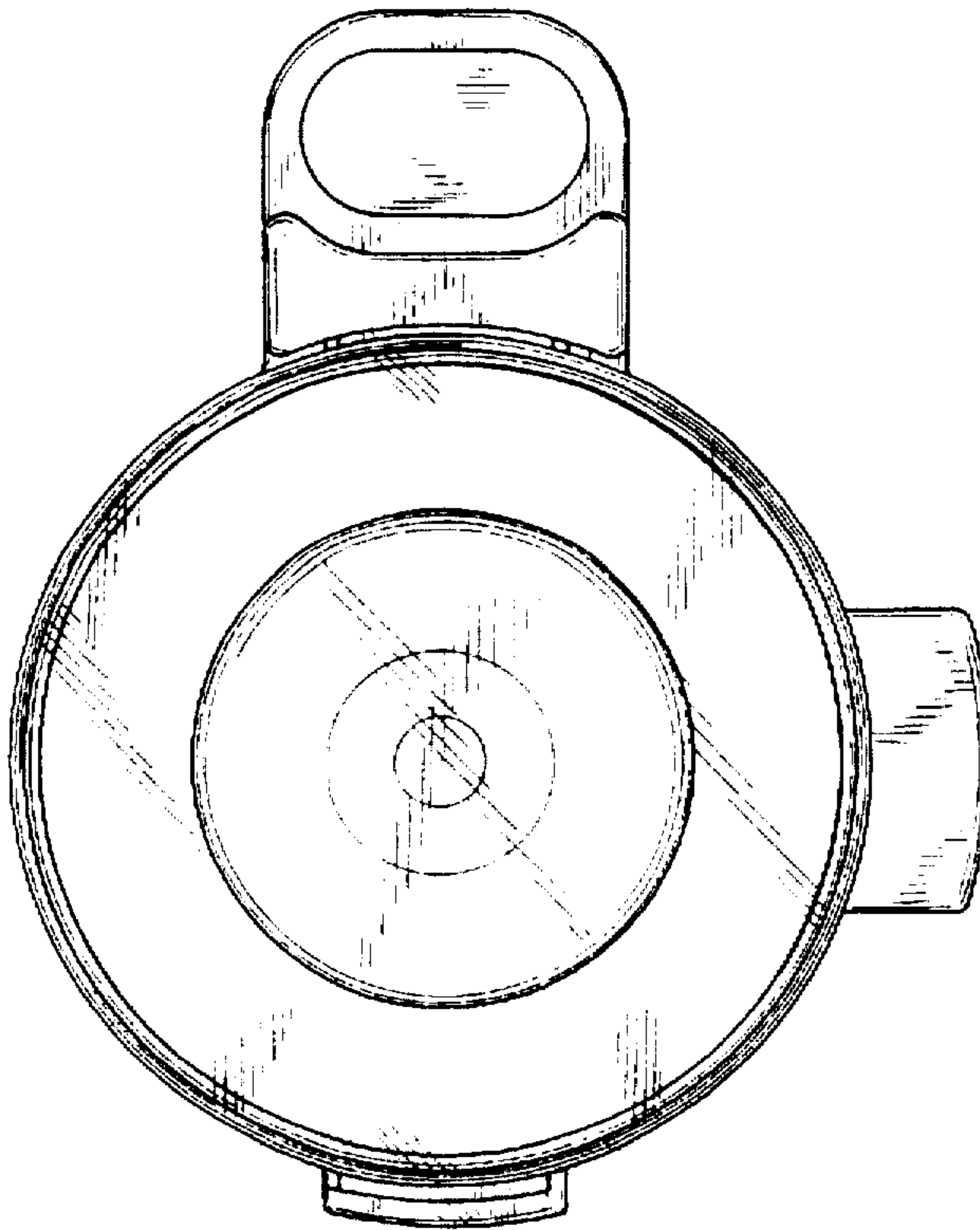


FIG. 7

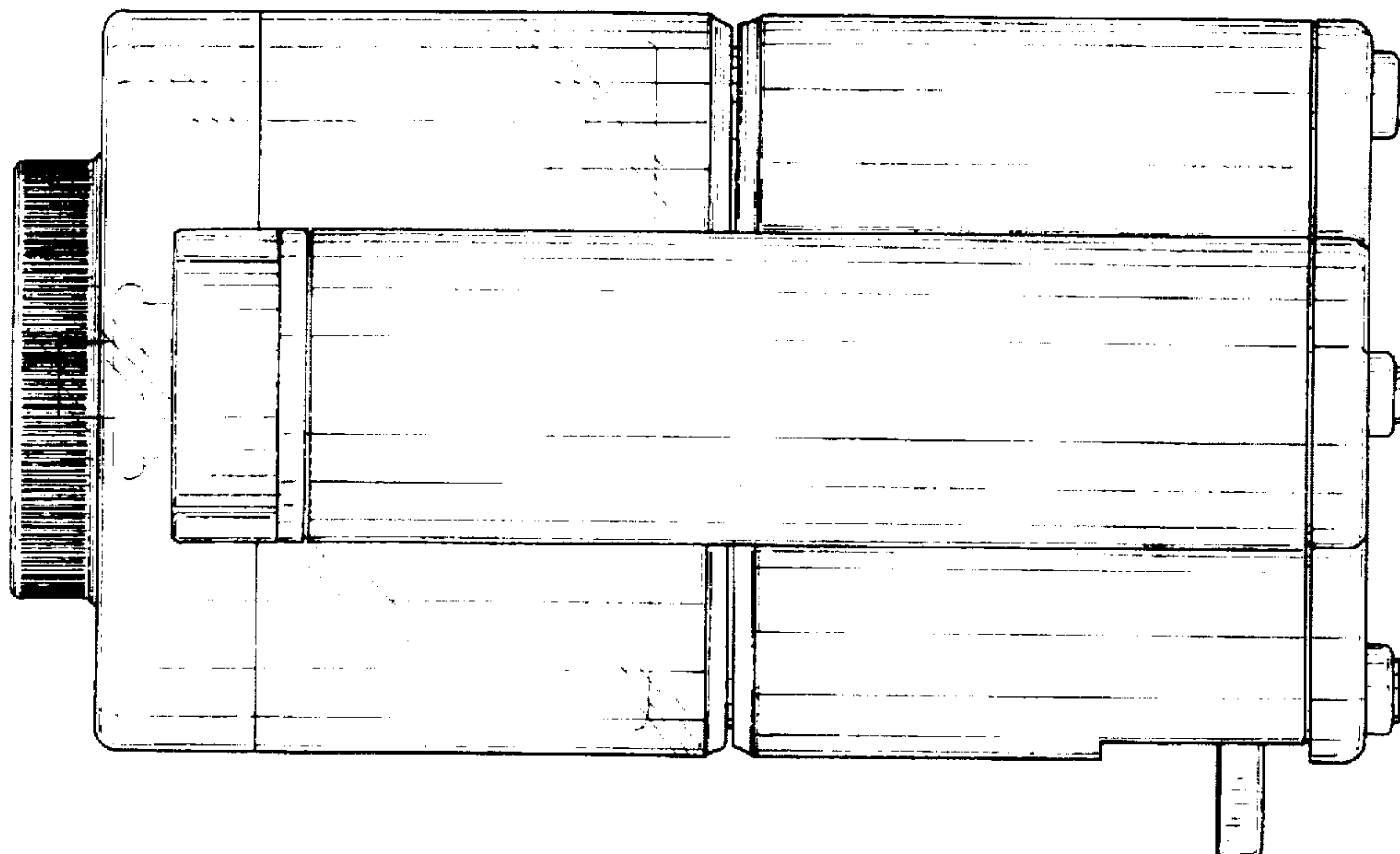


FIG. 6

