



US00D394182S

United States Patent [19] Woolrich

[11] Patent Number: Des. 394,182
[45] Date of Patent: **May 12, 1998

[54] DISC HOLDER

[76] Inventor: Peter Woolrich, 131 Bloor Street West,
Penthouse #3, Toronto, Ontario, Canada,
M5S 1R1

[**] Term: 14 Years

[21] Appl. No.: 54,110

[22] Filed: May 7, 1996

[51] LOC (6) Cl. 06-04

[52] U.S. Cl. 206/308.3; 206/308.3

[58] Field of Search D6/407, 626-635;
206/387.1, 308.3, 425, 509, 511, 329, 351,
387.14, 387.15; 312/9.9, 9.58, 9.42, 9.22

[56] References Cited

U.S. PATENT DOCUMENTS

Re. 33,361	10/1990	Coe	206/308.3
D. 323,931	2/1992	Haynes	D6/631
D. 328,387	8/1992	McFarland et al.	D6/631
D. 371,917	7/1996	Thomas	D6/407
1,188,872	6/1916	Woerheide	312/9.58
1,252,078	1/1918	Bender	312/9.42
2,321,794	6/1943	Braun	312/9.48
2,535,609	12/1950	Spillman	312/9.35
3,042,469	7/1962	Lowther	312/9.58
3,102,635	9/1963	Werwin et al.	206/313
3,316,039	4/1967	Drobny	312/9.58
3,603,478	9/1971	Comnam	221/87
3,763,994	10/1973	Somers	206/317.1
4,108,511	8/1978	Spragg	312/9.35
4,463,850	8/1984	Gorog	206/308.3
4,557,382	12/1985	Johnson	206/308.3
4,588,086	5/1986	Coe	206/308.3
4,664,454	5/1987	Schatteman et al.	312/9.19
4,702,533	10/1987	Seifert	312/9.22
4,718,552	1/1988	Rossi et al.	206/308.3
4,721,207	1/1988	Kikuchi	206/308.3
4,753,343	6/1988	Flynn	206/307
4,875,743	10/1989	Gelardi et al.	312/9.42

4,998,618	3/1991	Borgions	206/307
5,101,972	4/1992	Hunt et al.	206/308.1
5,277,309	1/1994	Shteynberg	312/9.58
5,338,108	8/1994	Hunt et al.	312/9.22
5,613,745	3/1997	Cho et al.	312/9.9

FOREIGN PATENT DOCUMENTS

33359	7/1975	Australia	
555643	2/1960	Belgium	
0181835	10/1985	European Pat. Off.	
1527940	6/1968	France	
1150689	4/1969	United Kingdom	
2230939	11/1990	United Kingdom	
091011005	7/1991	WIPO	206/308.3

Primary Examiner—Cathy Anne MacCormac
Attorney, Agent, or Firm—Senniger, Powers, Leavitt &
Roedel

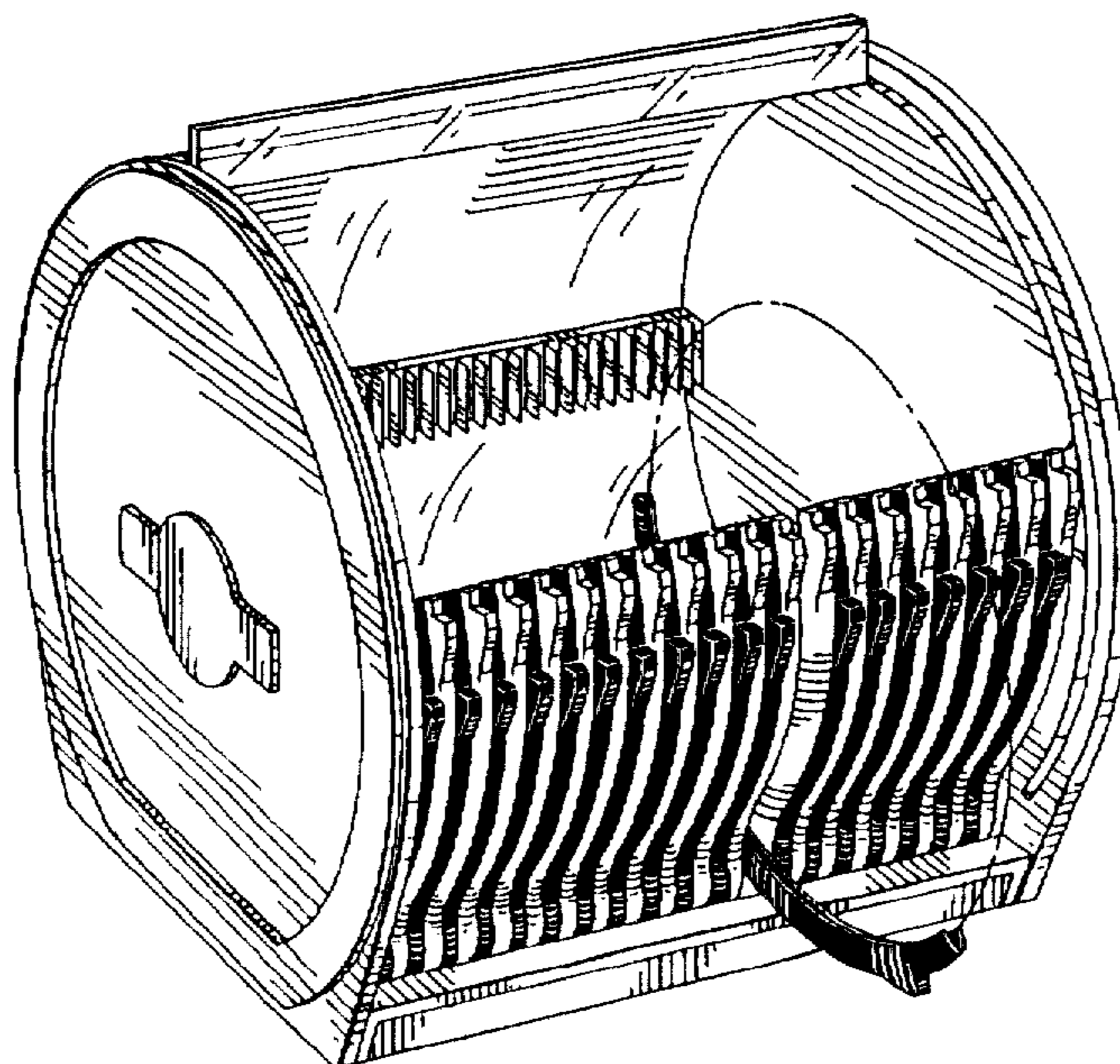
[57] CLAIM

The ornamental designs for a disc holder, as shown and described.

DESCRIPTION

FIG. 1 is a front perspective view of a disc holder showing my new design;
FIG. 2 is a front elevational view thereof;
FIG. 3 is a left side elevational view thereof, the right side being a mirror image;
FIG. 4 is a rear elevational view thereof;
FIG. 5 is a top plan view thereof;
FIG. 6 is another front perspective view showing the cover in open position;
FIG. 7 is another front perspective view showing the disc holder in operating order; and,
FIG. 8 is a bottom plan view thereof.
The broken lines in FIG. 7 are for purposes of illustration only and form not part of the claimed design. The solid black in FIGS. 1, 2, 5, 6, 7 and 8 is included to disclose that the disc cradles in the claimed design are alternating colors.

1 Claim, 5 Drawing Sheets



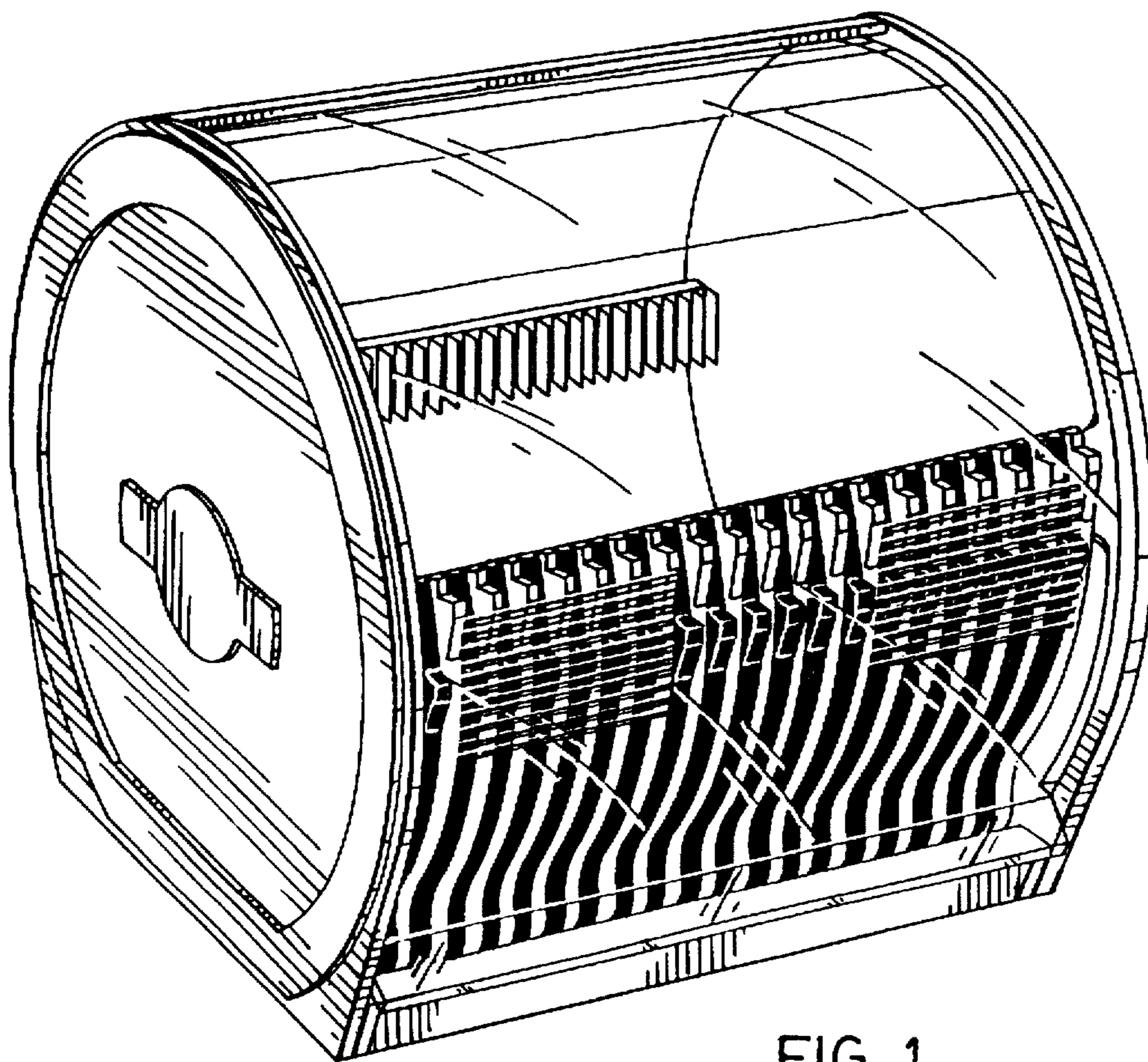


FIG. 1

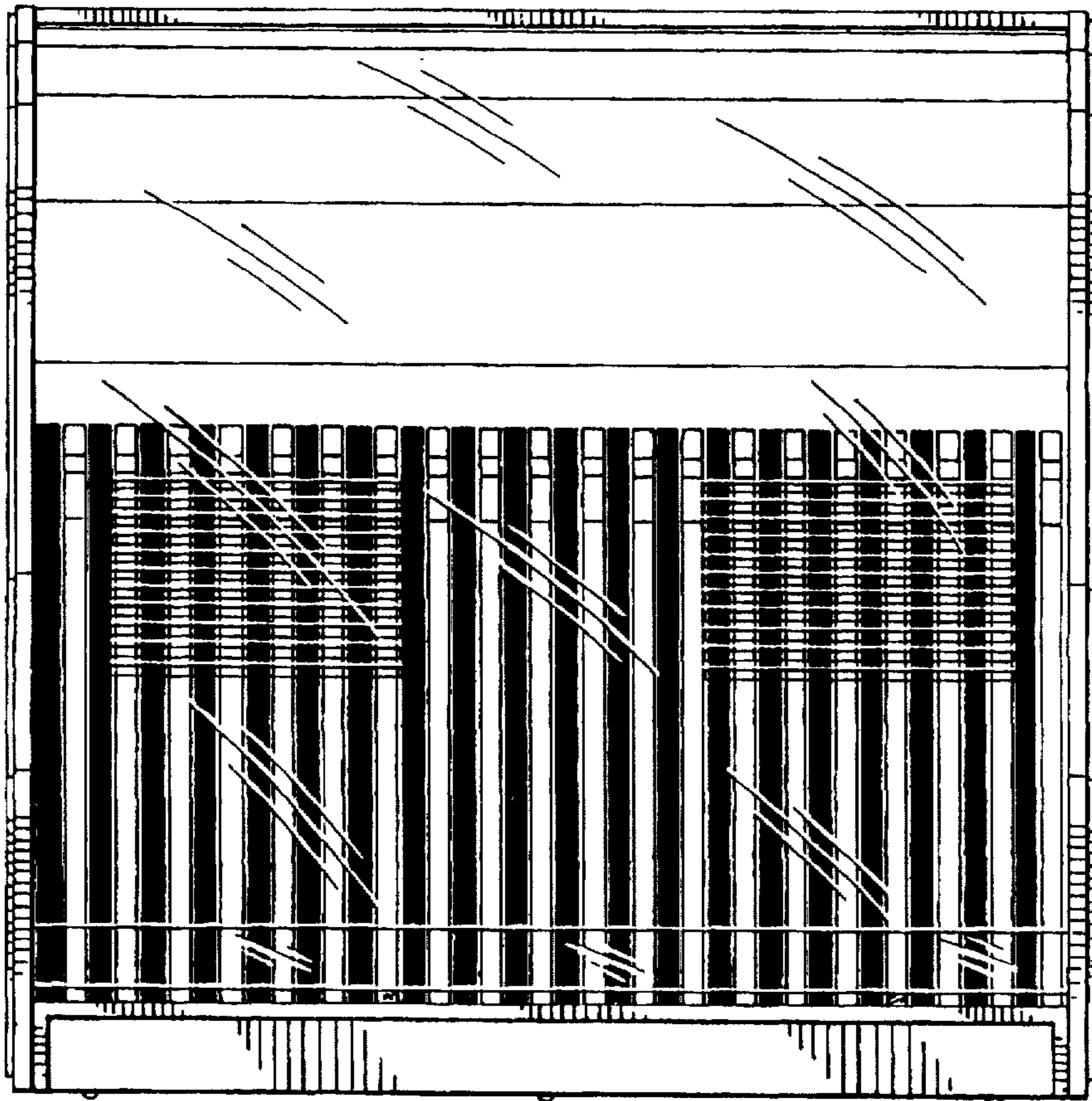


FIG. 2

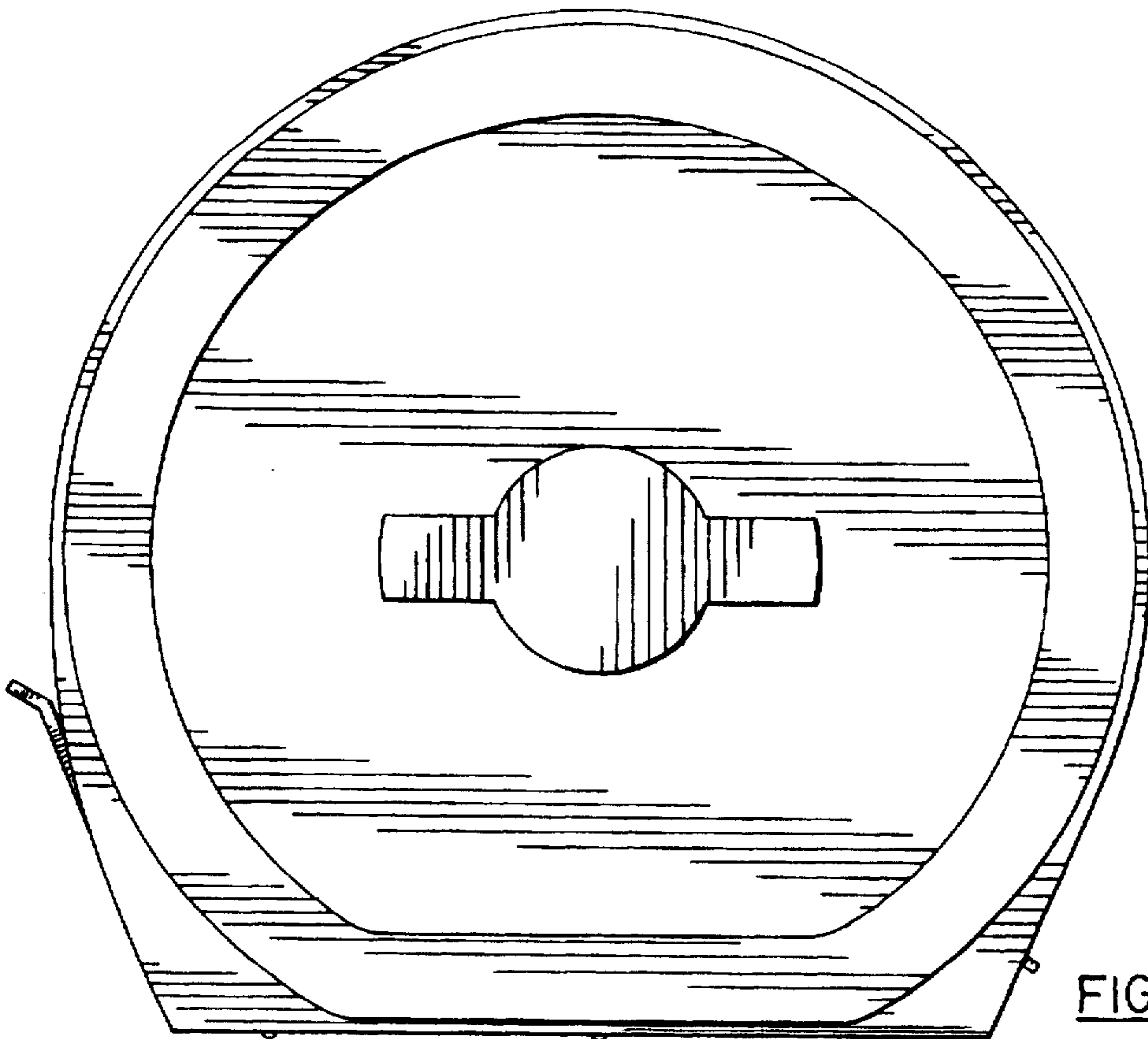


FIG. 3

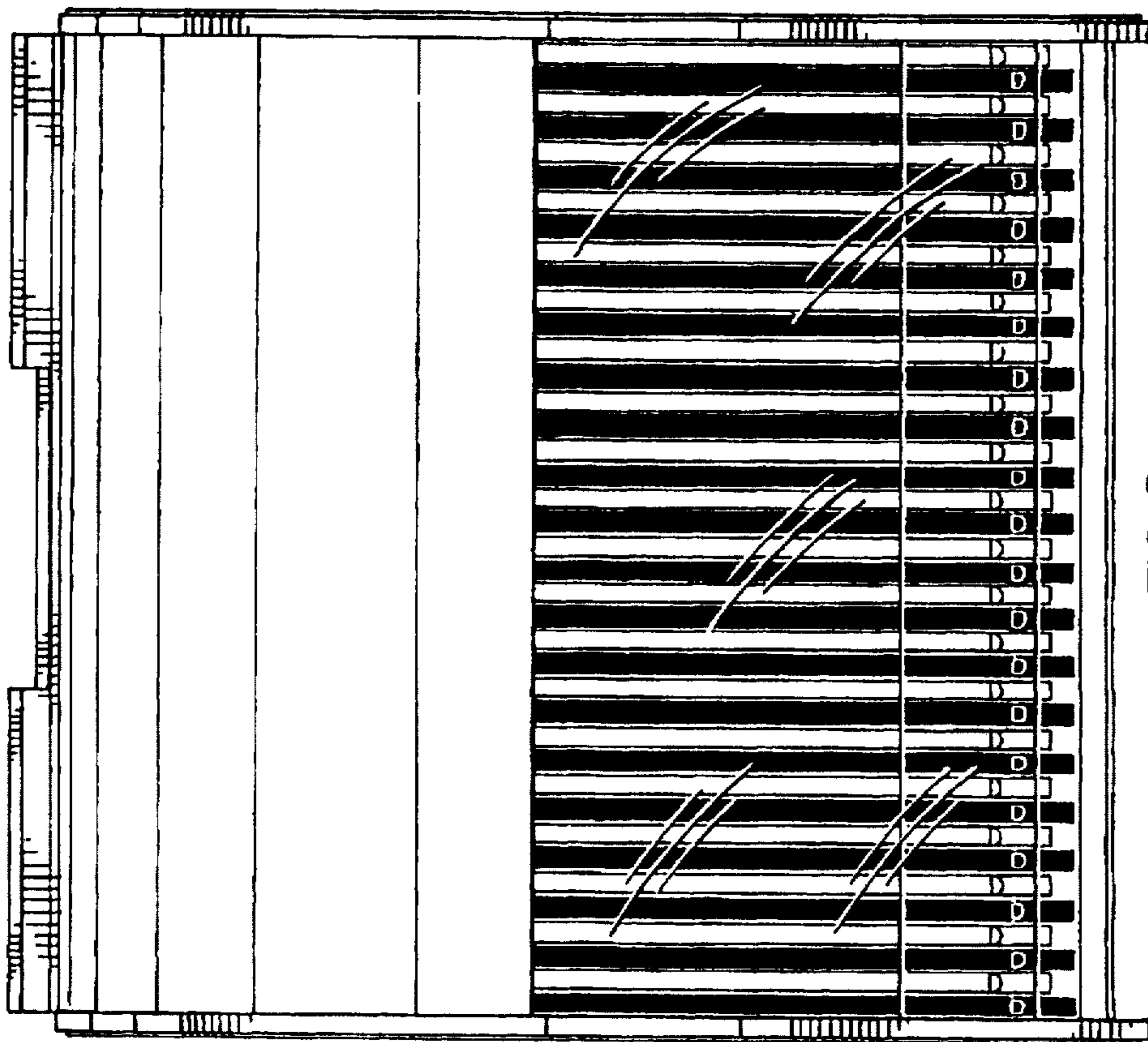


FIG. 5

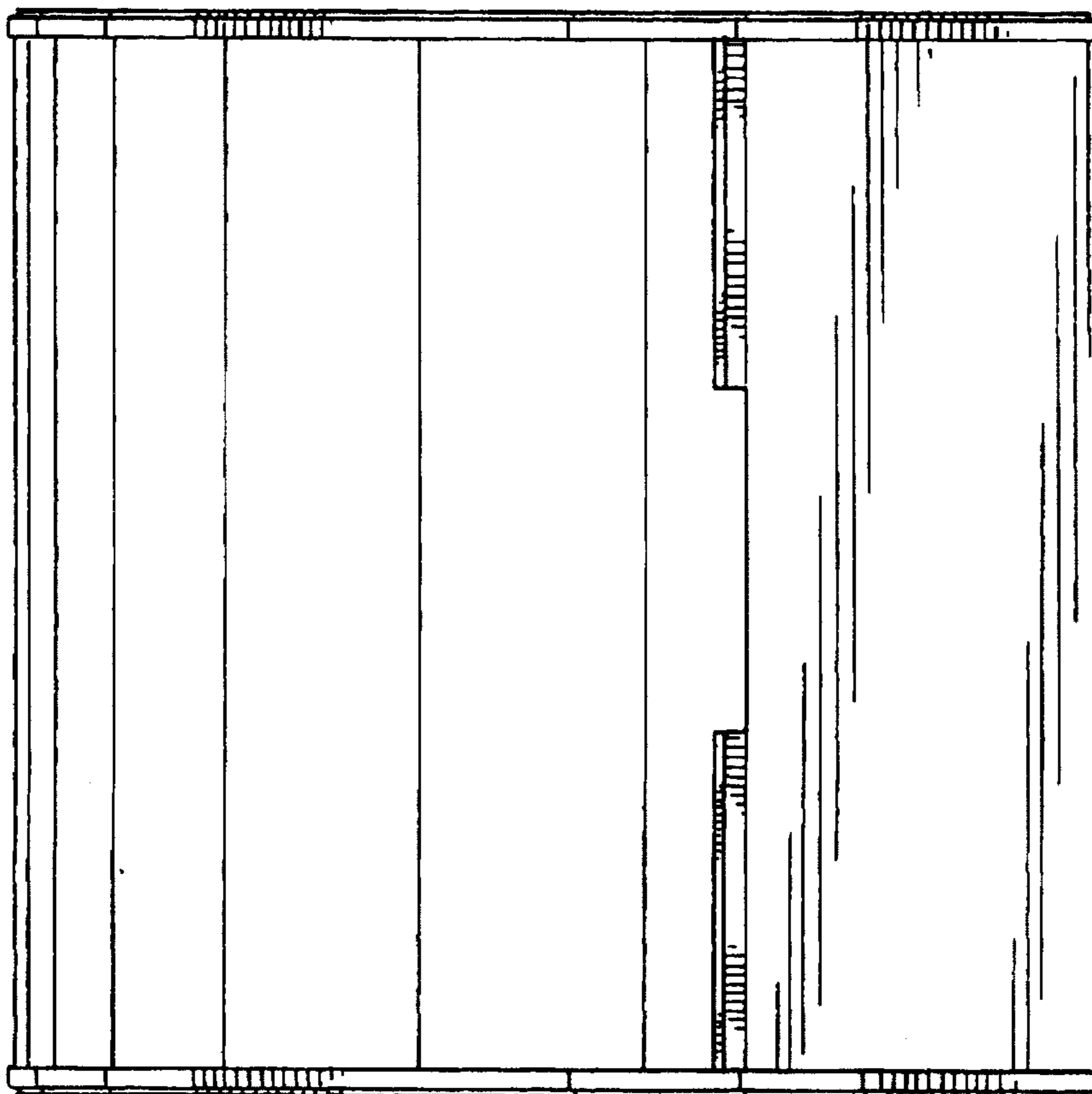


FIG. 4

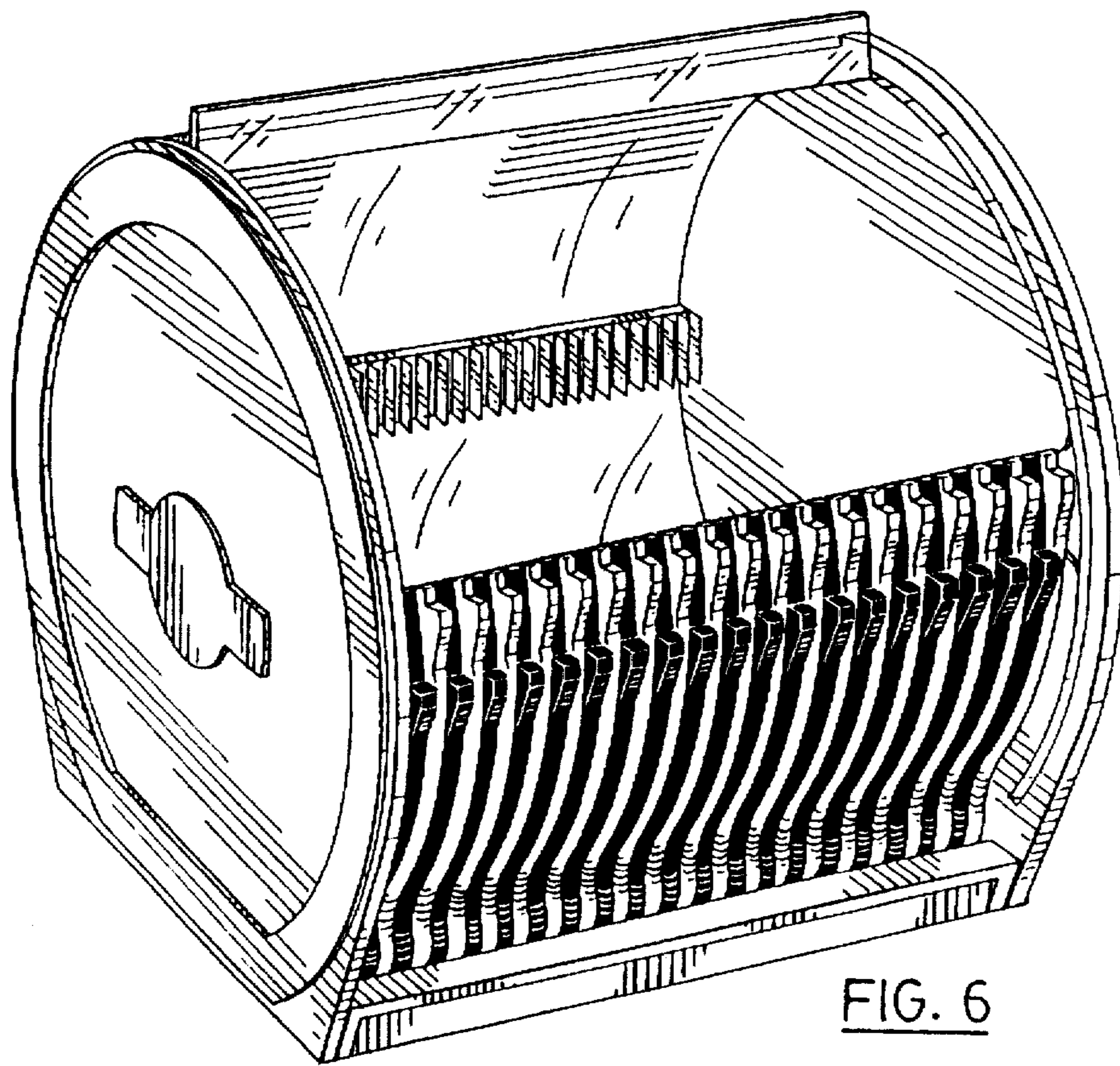


FIG. 6

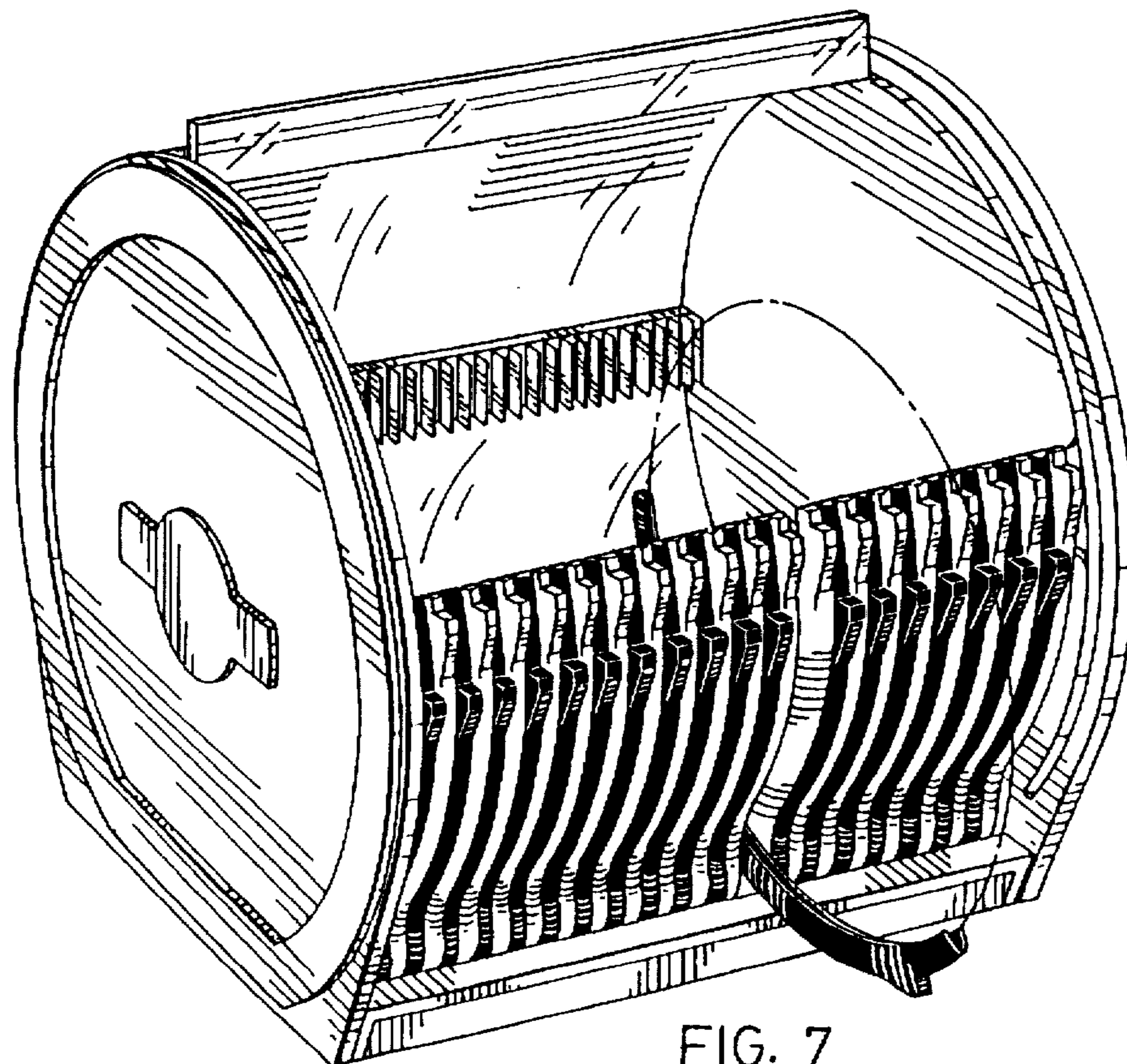


FIG. 7

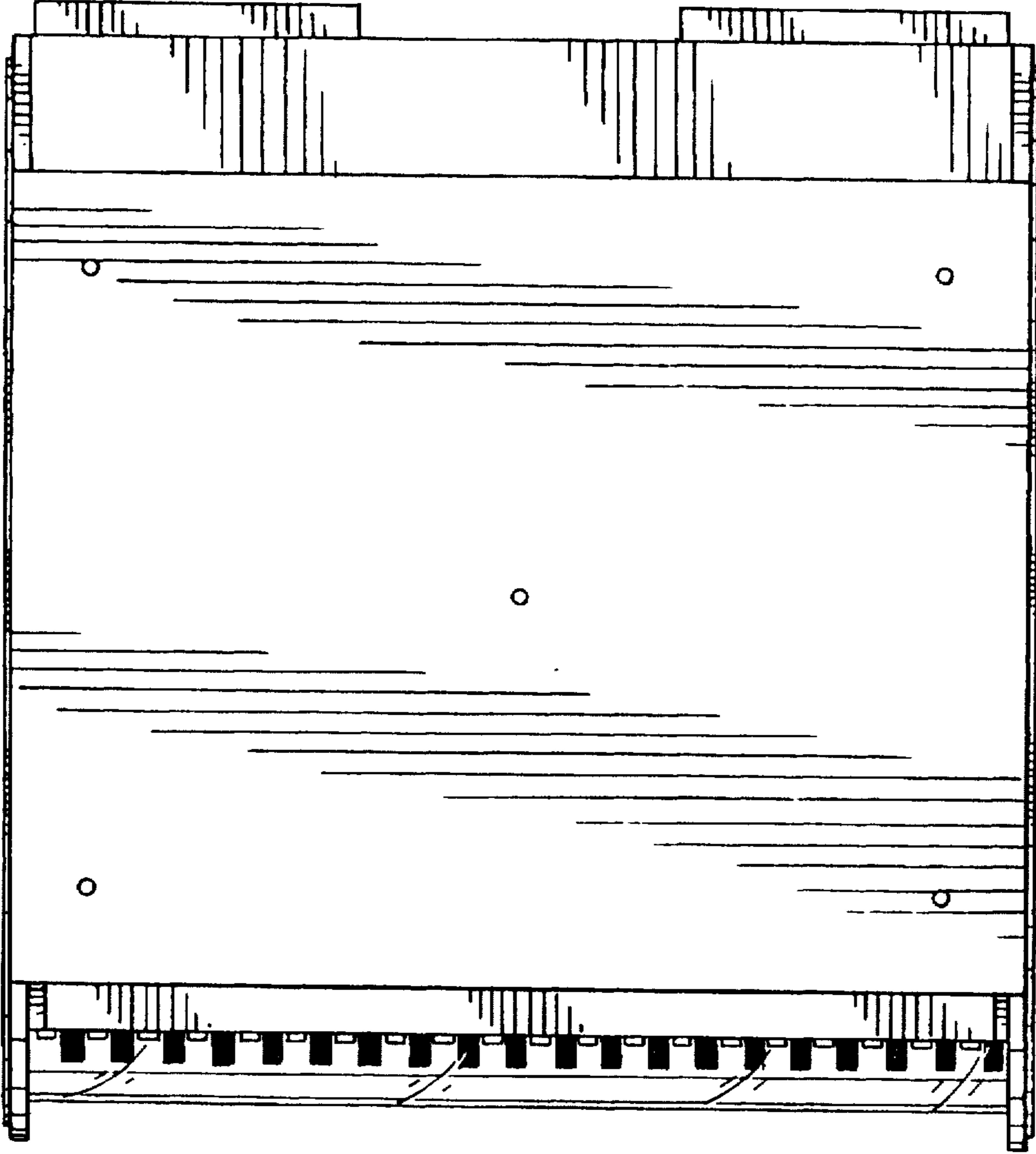


FIG. 8