



US00D394180S

United States Patent [19]

St-Pierre et al.

[11] Patent Number: **Des. 394,180**

[45] Date of Patent: ****May 12, 1998**

[54] **CIGARETTE PACK DISPLAY UNIT**

[75] Inventors: **Yvon St-Pierre; Andre Dubeau; Roch Cyr**, all of Montreal, Canada

[73] Assignee: **Imperial Tobacco Limited**, Montreal, Canada

[**] Term: **14 Years**

[21] Appl. No.: **59,875**

[22] Filed: **Sep. 17, 1996**

[30] **Foreign Application Priority Data**

Jun. 20, 1996 [CA] Canada 1996-1431

[51] LOC (6) Cl. **06-04**

[52] U.S. Cl. **D6/571; 126/574**

[58] Field of Search D6/570, 571, 567, D6/574, 553, 512; 312/198; 108/59, 60, 92; 211/59.2, 90.01, 86, 87, 88, 134, 135, 187, 188; D7/590, 601; D20/42

[56] **References Cited**

U.S. PATENT DOCUMENTS

- 83,798 3/1868 Gibson .
- 142,952 11/1873 Ford .
- 148,607 2/1874 Broadbent .
- D. 174,377 4/1955 Dossman D6/571
- 177,737 5/1876 King et al. .
- D. 178,575 8/1956 Hanson D6/571
- D. 195,492 6/1963 Benoe D6/570
- D. 218,322 8/1970 Smith 106/571
- 234,172 1/1880 Ranney .

- 256,199 8/1882 Burke et al. .
- 267,383 12/1882 Liptak et al. .
- D. 274,487 7/1984 Eads et al. D6/553 X
- 279,638 7/1883 Kellogg .
- 281,477 11/1883 Neff .
- D. 323,766 2/1992 Robbins et al. D6/574 X
- 358,049 5/1887 Wilson .
- 2,900,667 8/1959 Longenecken 211/135 X
- 3,948,191 4/1976 Hatherly 211/90.01
- 4,121,377 10/1978 Allen et al. 108/59 X
- 4,335,765 6/1982 Murphy 108/924
- 5,114,022 5/1992 Roud 108/92 X

FOREIGN PATENT DOCUMENTS

- 46362 12/1979 Canada .
- 50738 11/1983 Canada .

Primary Examiner—Pamela J. Burgess
Attorney, Agent, or Firm—Beveridge, DeGrandi, Weilacher & Young LLP

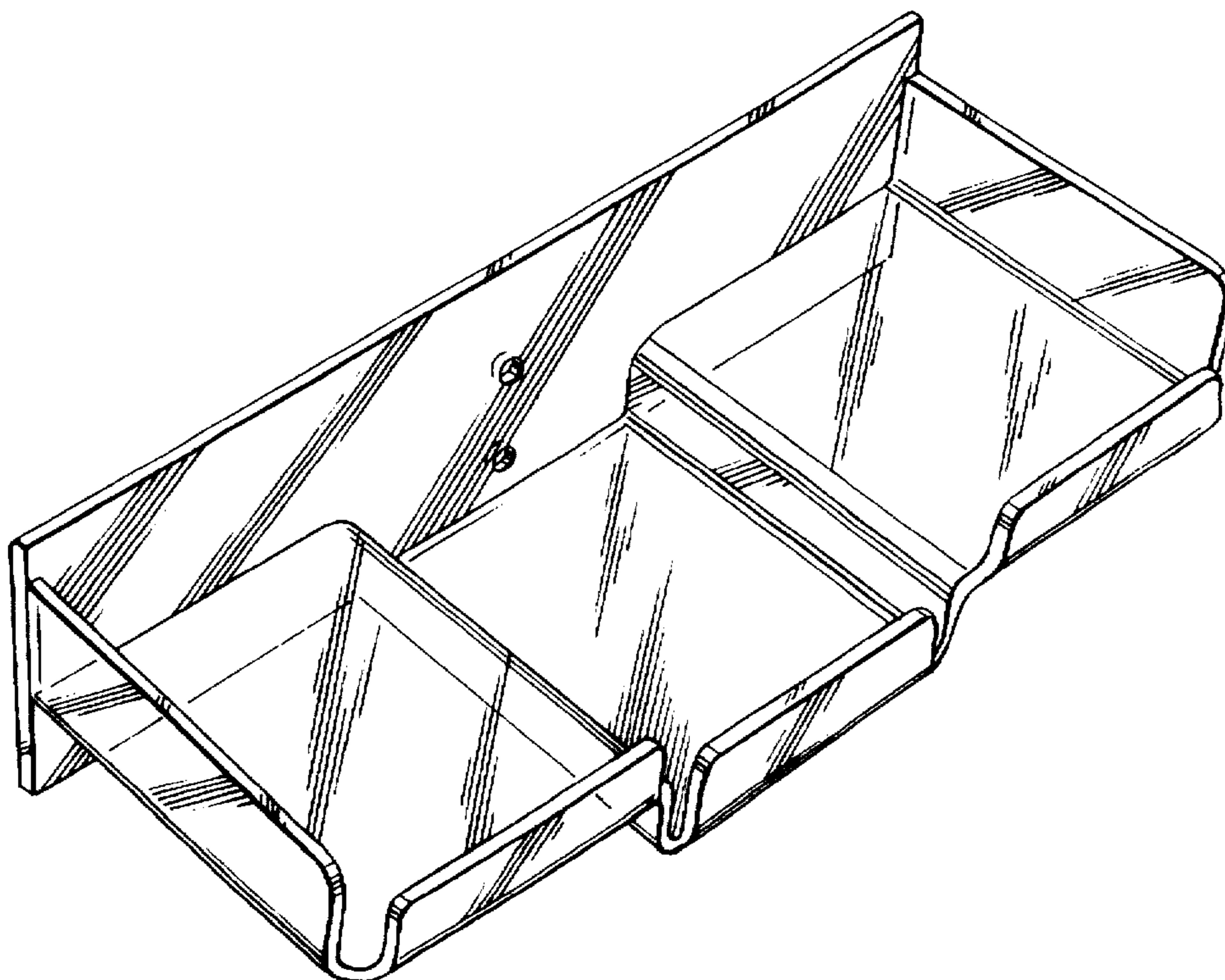
[57] **CLAIM**

The ornamental design for a cigarette pack display unit, as shown and described.

DESCRIPTION

FIG. 1 is a top perspective view from the front and one side of the cigarette pack display unit of the invention; FIG. 2 is a front elevational view thereof; FIG. 3 is a rear elevational view thereof; FIG. 4 is a plan view thereof; FIG. 5 is an underneath plan view thereof; and, FIG. 6 is a right side elevational view thereof, the left side elevational view being a mirror image thereof.

1 Claim, 3 Drawing Sheets



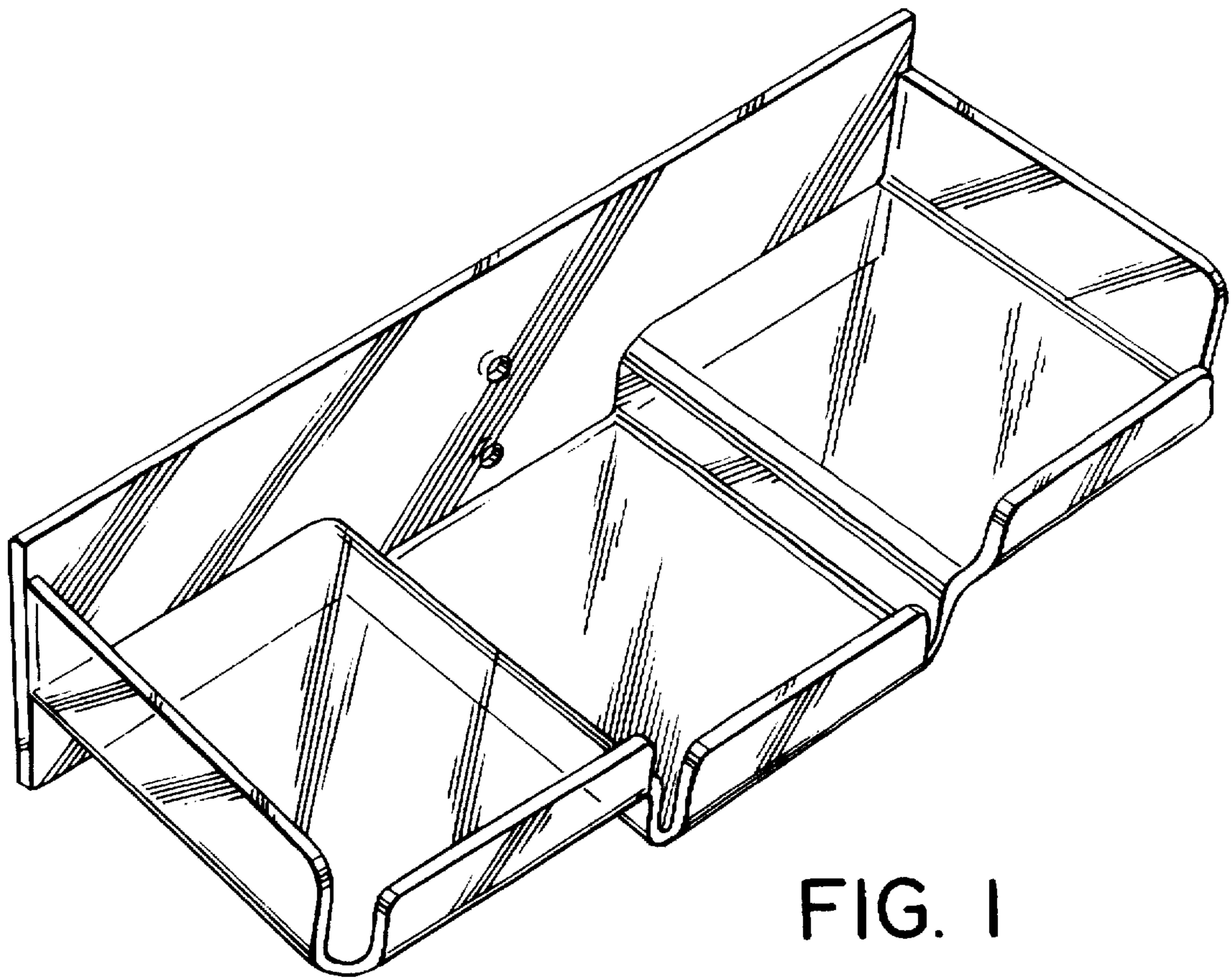


FIG. 1

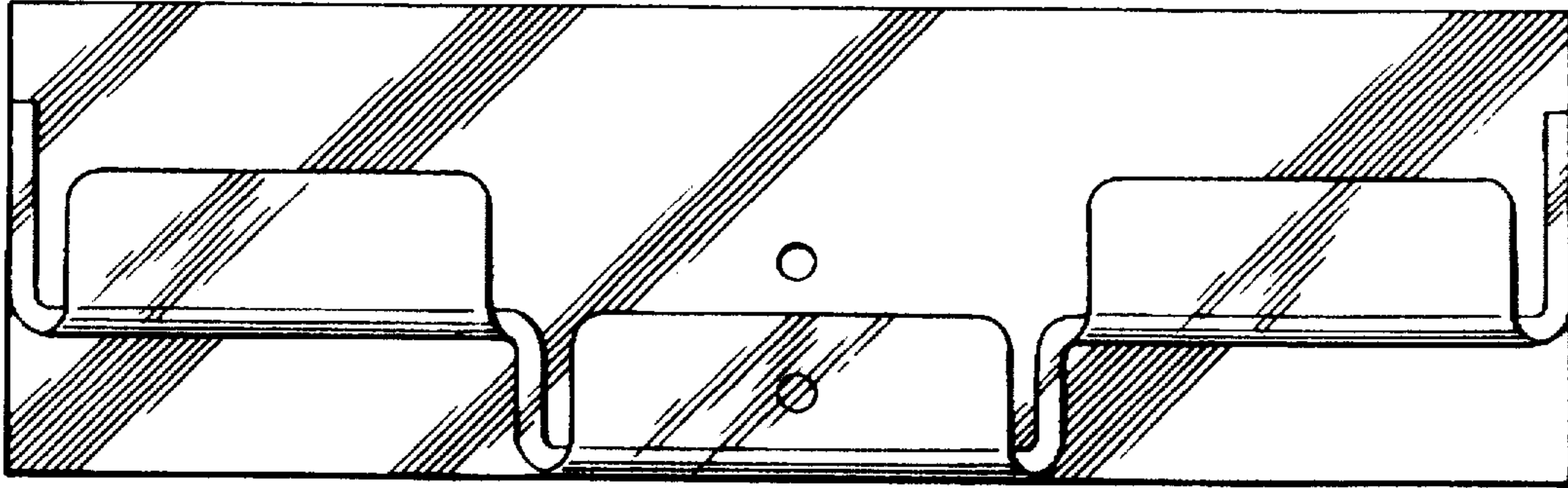


FIG. 2

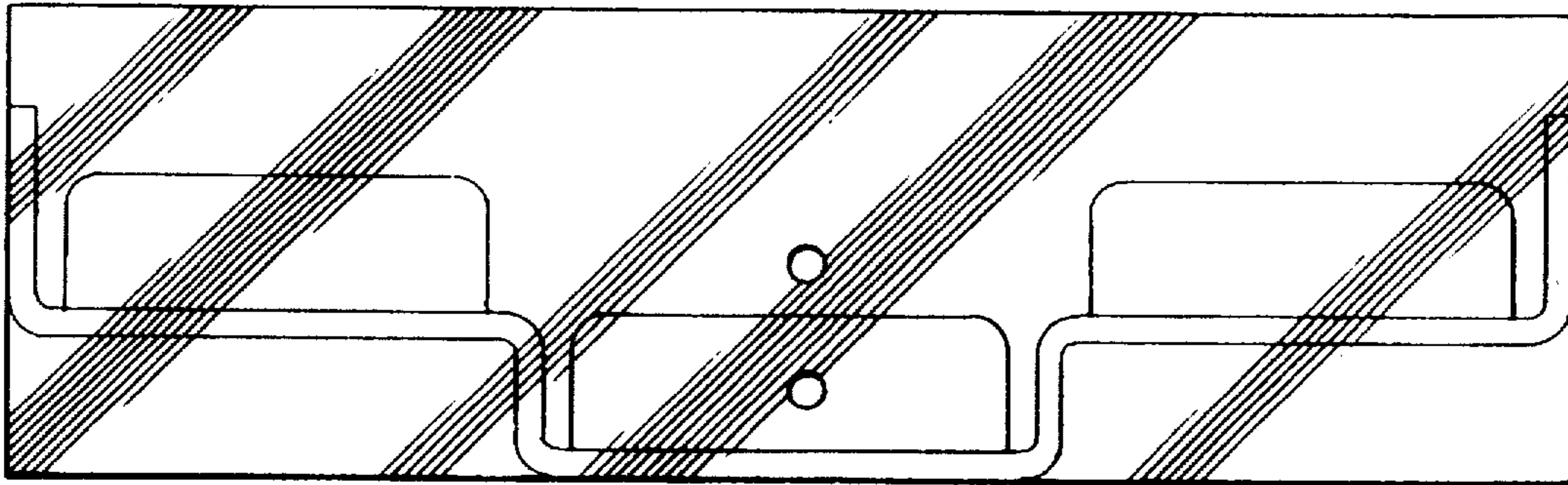


FIG. 3

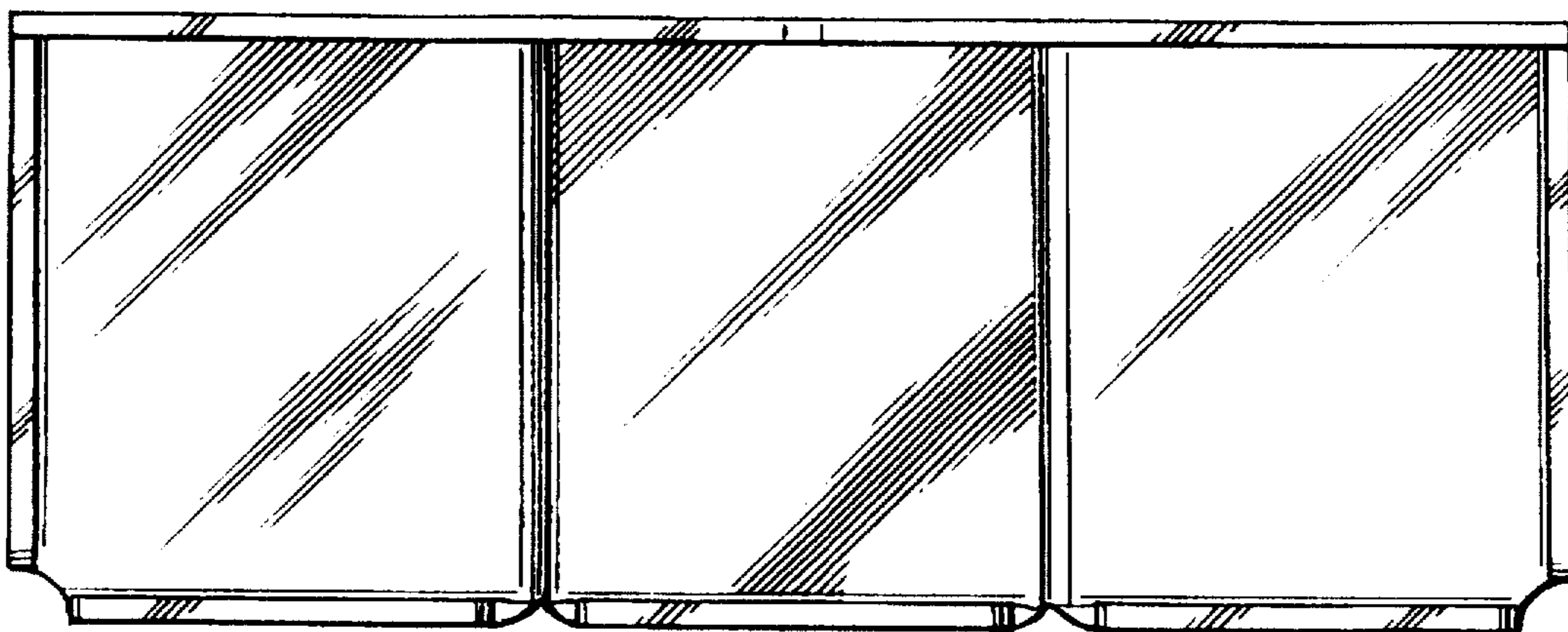


FIG. 4

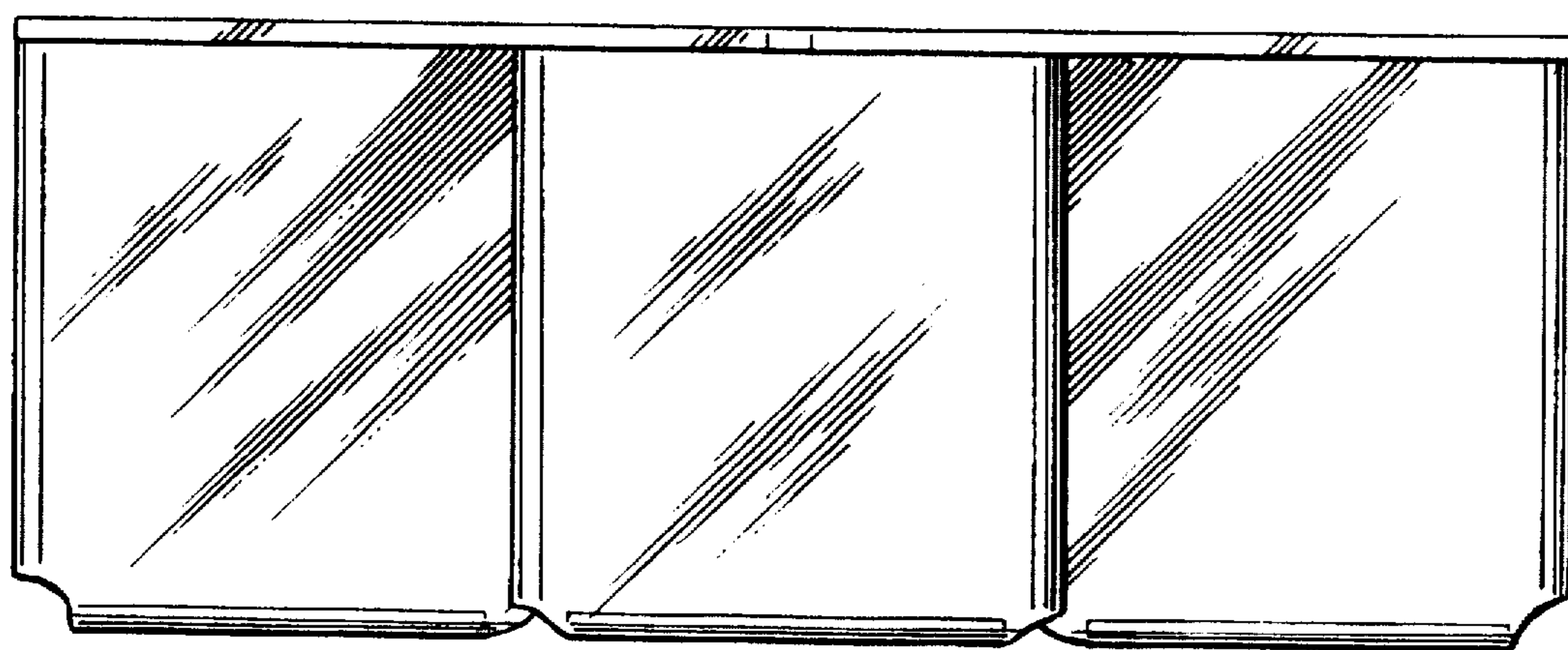


FIG. 5

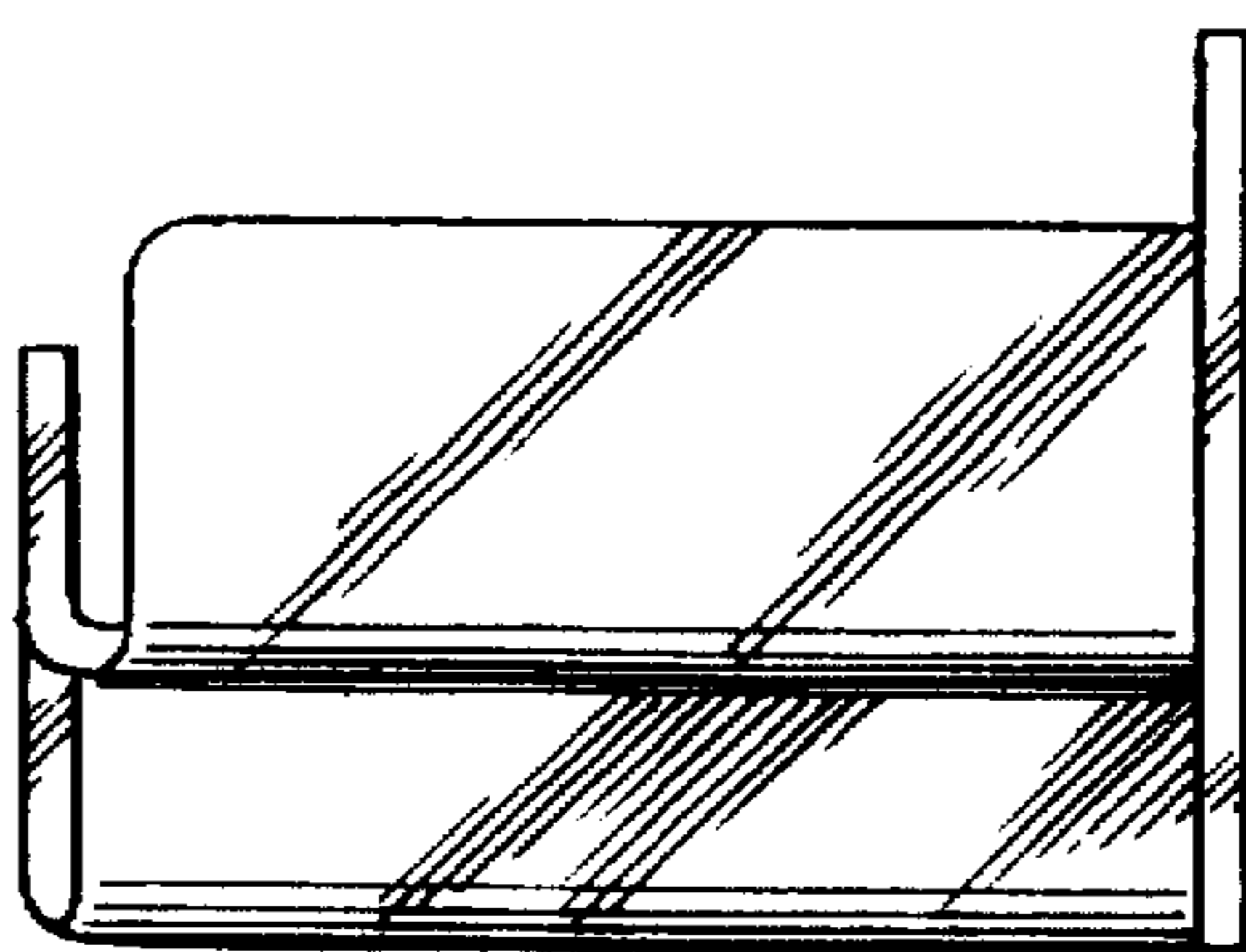


FIG. 6