



US00D394179S

United States Patent [19]
Panossian

[11] **Patent Number: Des. 394,179**

[45] **Date of Patent: **May 12, 1998**

[54] **SHELF UNIT**

[76] **Inventor: Raffy Panossian, 470 Conestoga Blvd.,
Cambridge, ON, Canada, N1R 7L7**

[**] **Term: 14 Years**

[21] **Appl. No.: 58,870**

[22] **Filed: Aug. 27, 1996**

[30] **Foreign Application Priority Data**

Feb. 28, 1996 [CA] Canada 1996-0424

[51] **LOC (6) Cl. 06-04**

[52] **U.S. Cl. D6/566; D6/511**

[58] **Field of Search D6/509-511, 462,
D6/465, 566; 211/86, 88, 94.5, 134, 59.2,
153, 188, 126, 128, 133, 181; 206/507,
513; 220/491; 248/220.21, 302; 108/149,
28; D34/27; D3/306**

[56] **References Cited**

U.S. PATENT DOCUMENTS

D. 322,378 12/1991 Colman D6/566

D. 375,860 11/1996 Coretti, Jr. et al. D6/566
3,202,294 8/1965 Rogus 211/126
3,338,466 8/1967 Hare et al. 206/507

Primary Examiner—James Gandy
Assistant Examiner—Linda Brooks
Attorney, Agent, or Firm—Robert G. Hendry

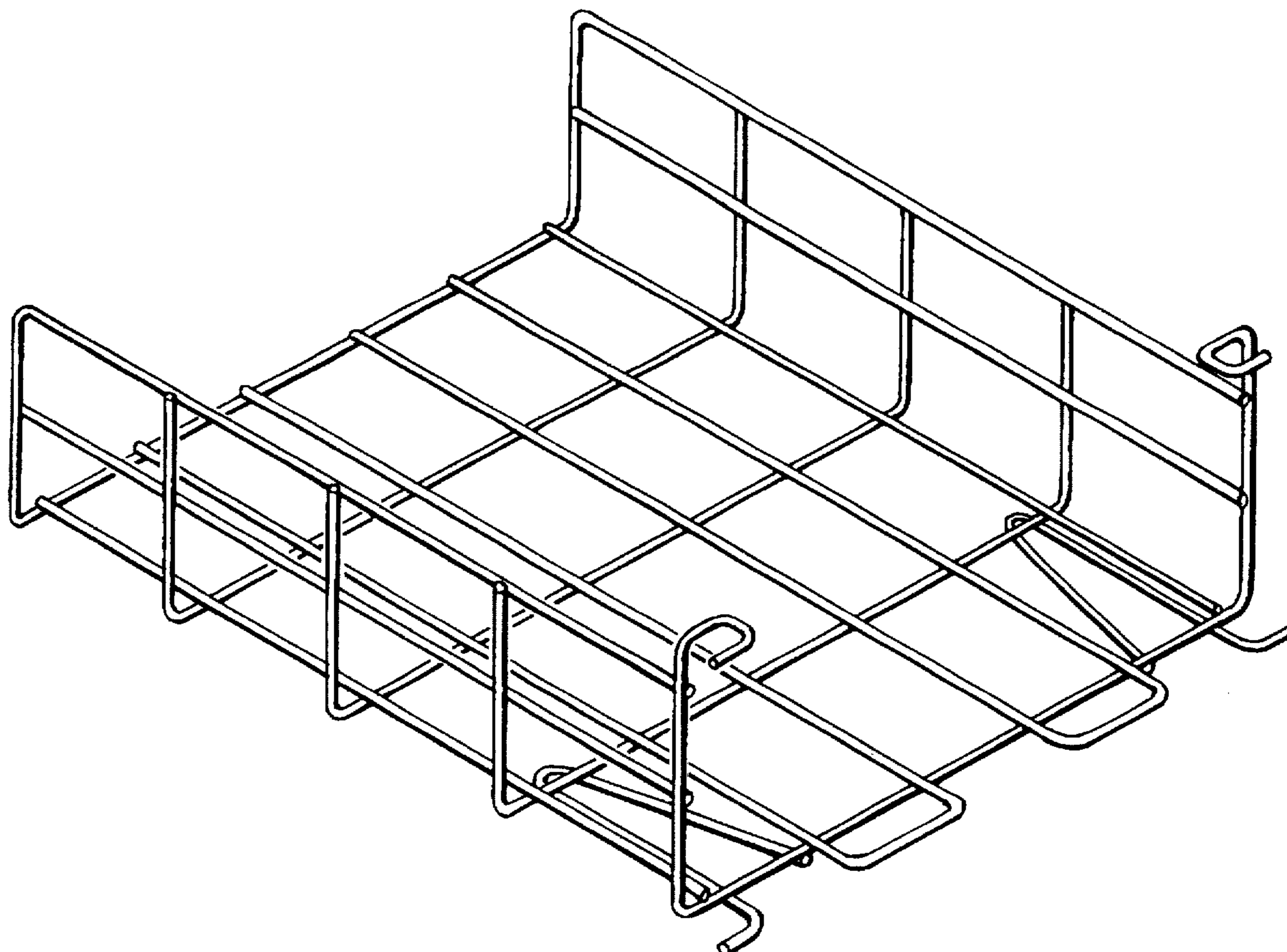
[57] **CLAIM**

The ornamental design for a shelf unit, as shown and described.

DESCRIPTION

FIG. 1 is a top view of the shelf unit;
FIG. 2 is a bottom view of the shelf unit;
FIG. 3 is a left side view of the shelf unit;
FIG. 4 is a right side view of the shelf unit;
FIG. 5 is a front view of the shelf unit;
FIG. 6 is a rear view of the shelf unit;
FIG. 7 is an enlarged perspective view of the shelf unit; and,
FIG. 8 is a perspective view of an alternate embodiment of the shelf unit, the only difference being the reverse orientation of the topmost right bent fastening member.

1 Claim, 4 Drawing Sheets



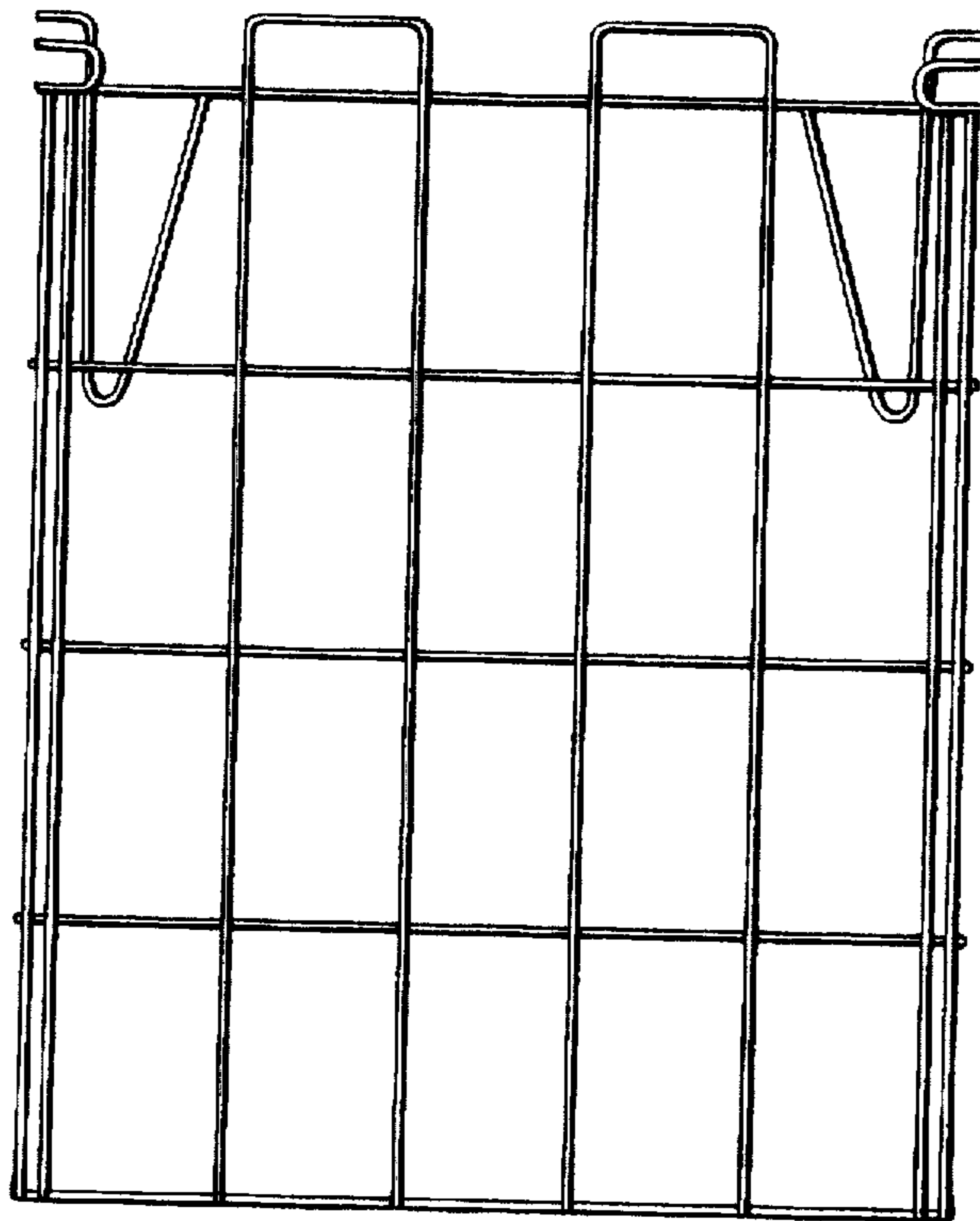


FIG. 1

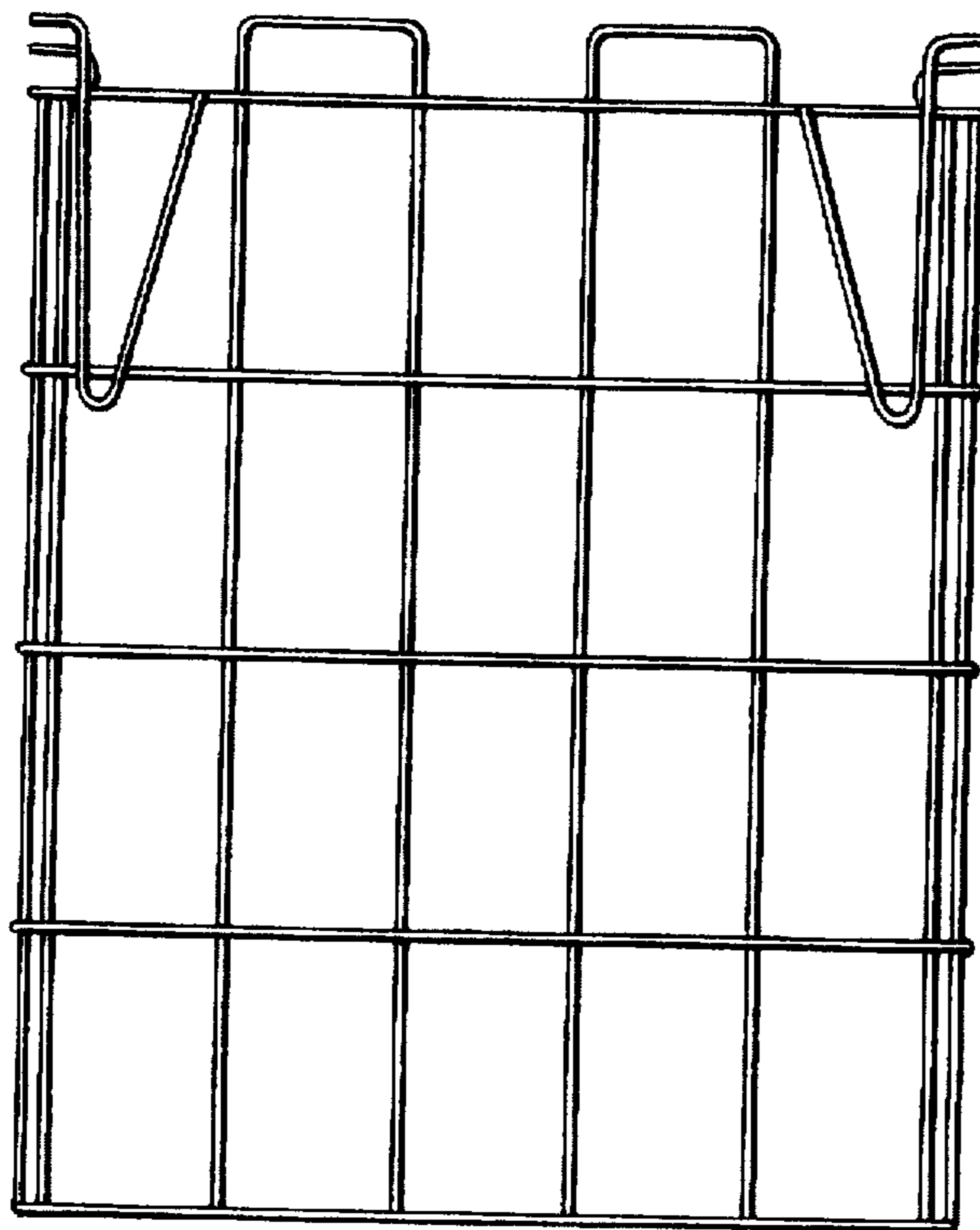


FIG. 2

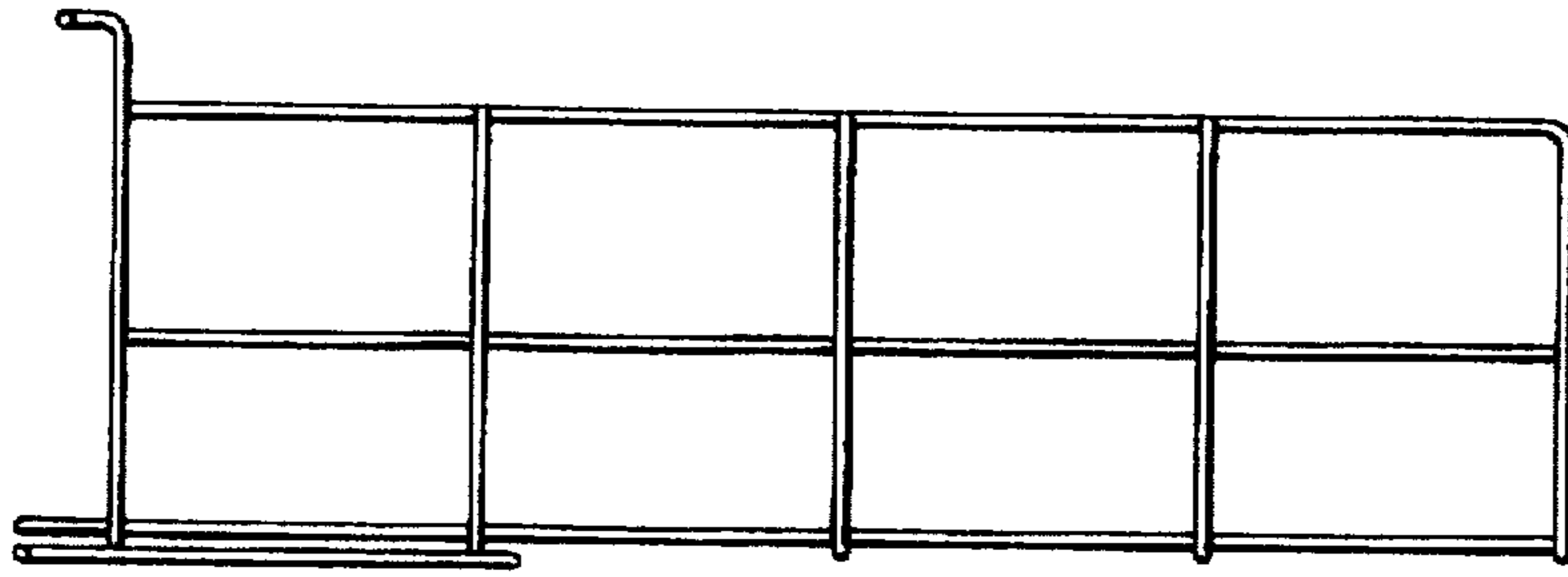


FIG. 3

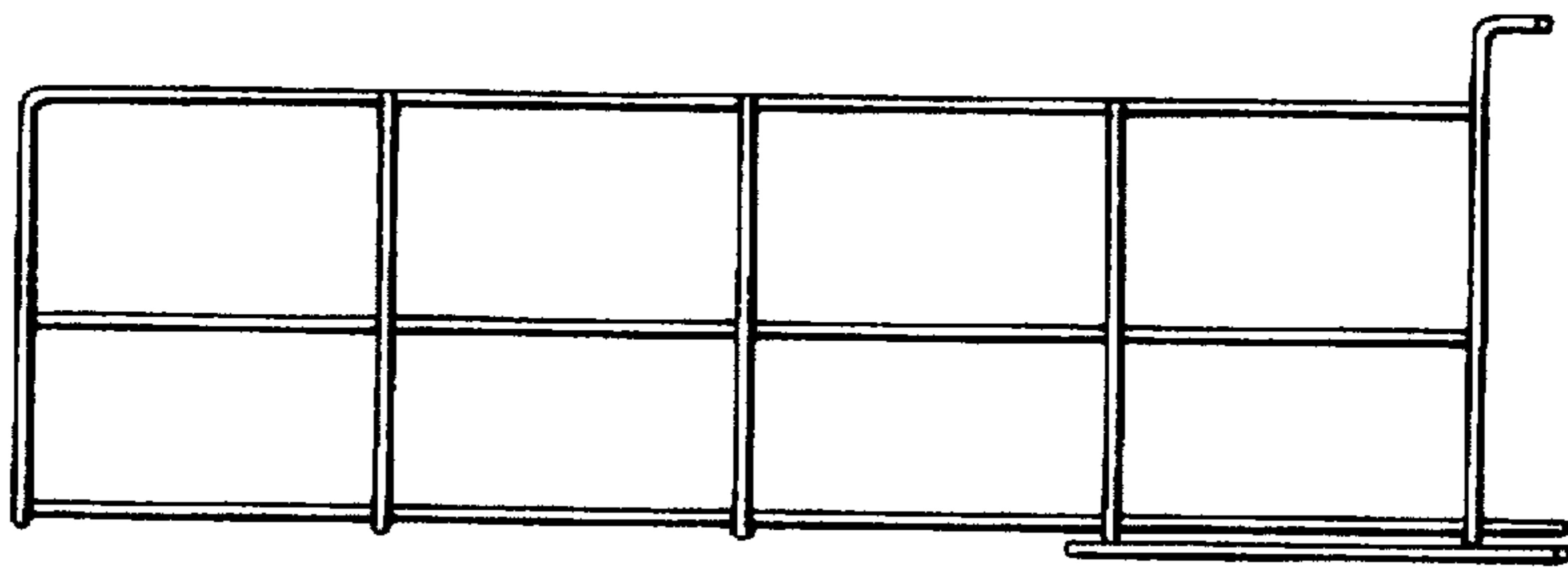


FIG. 4

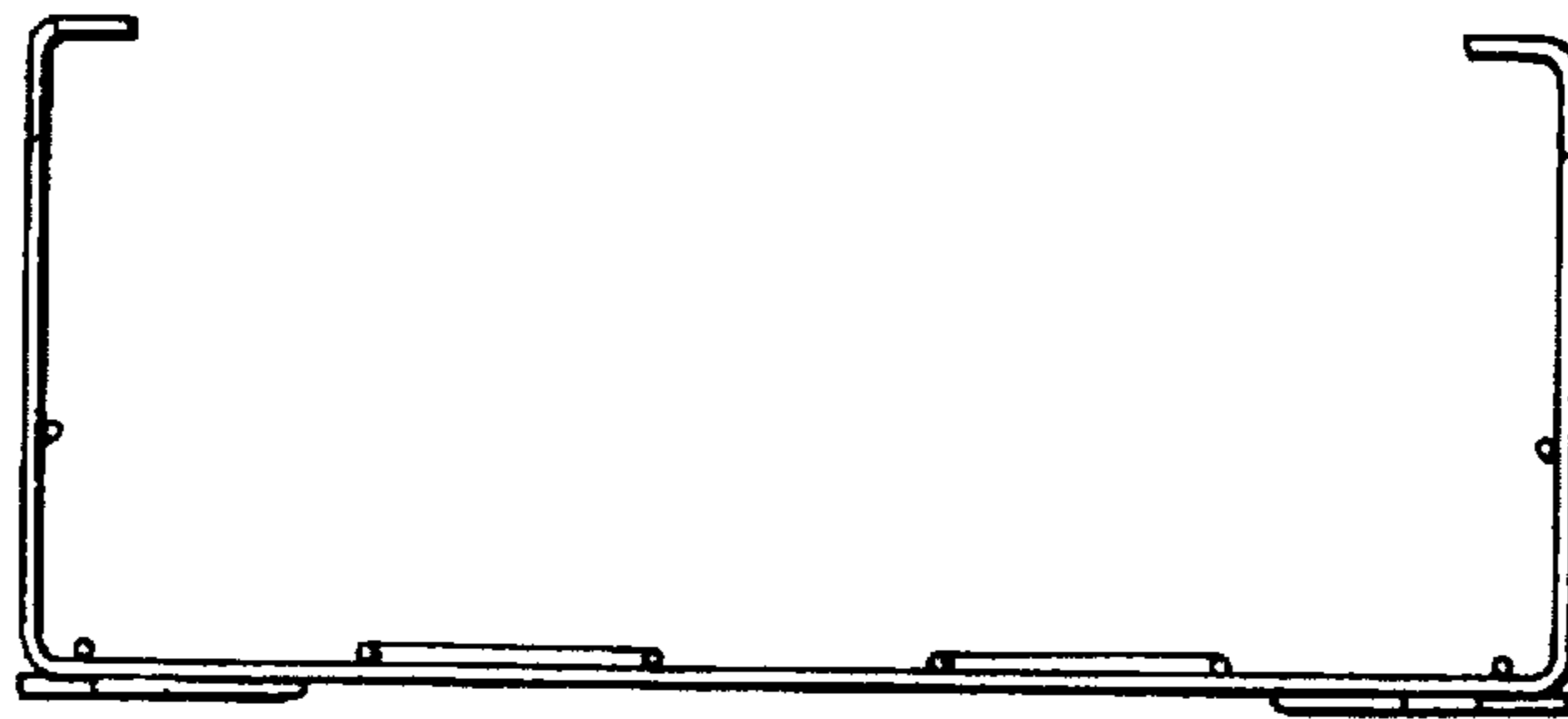


FIG. 5

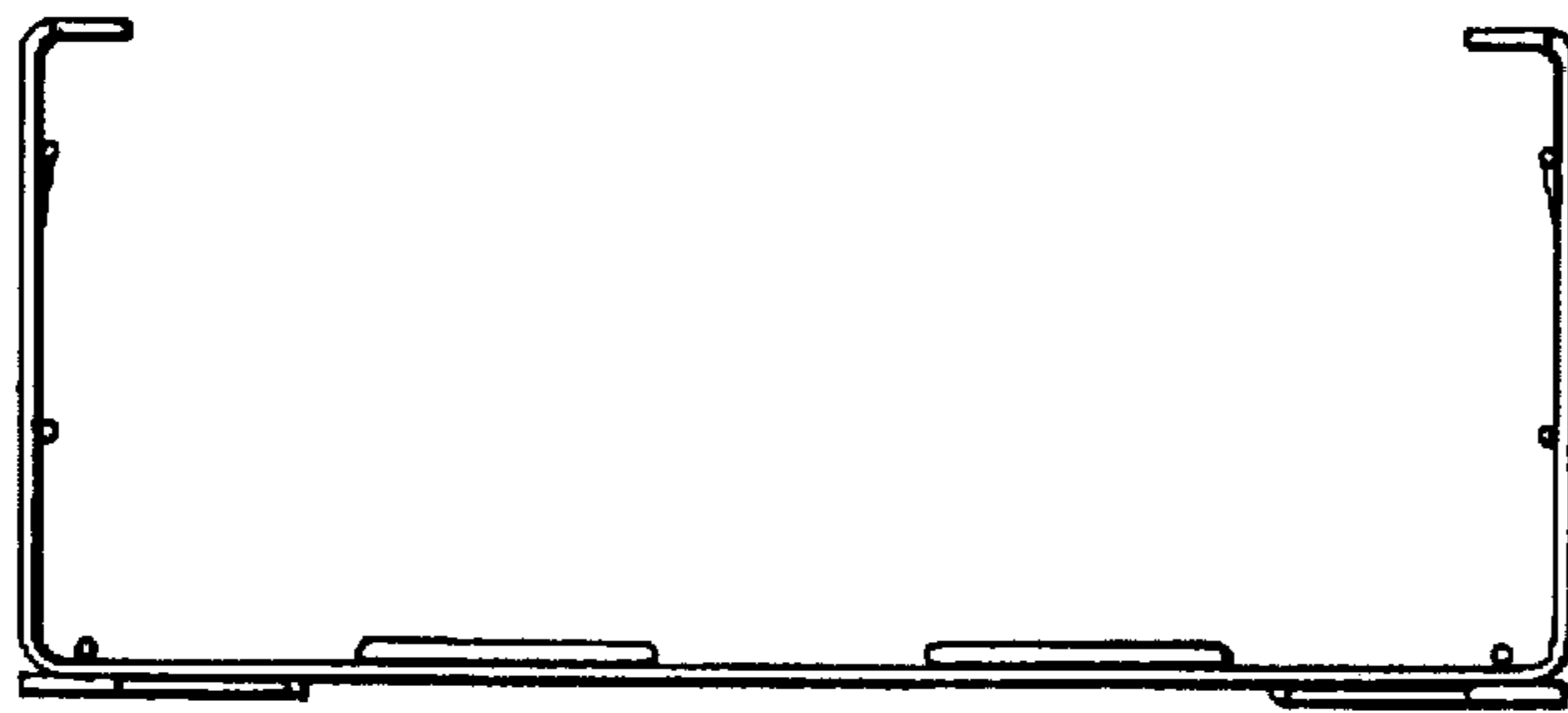


FIG. 6

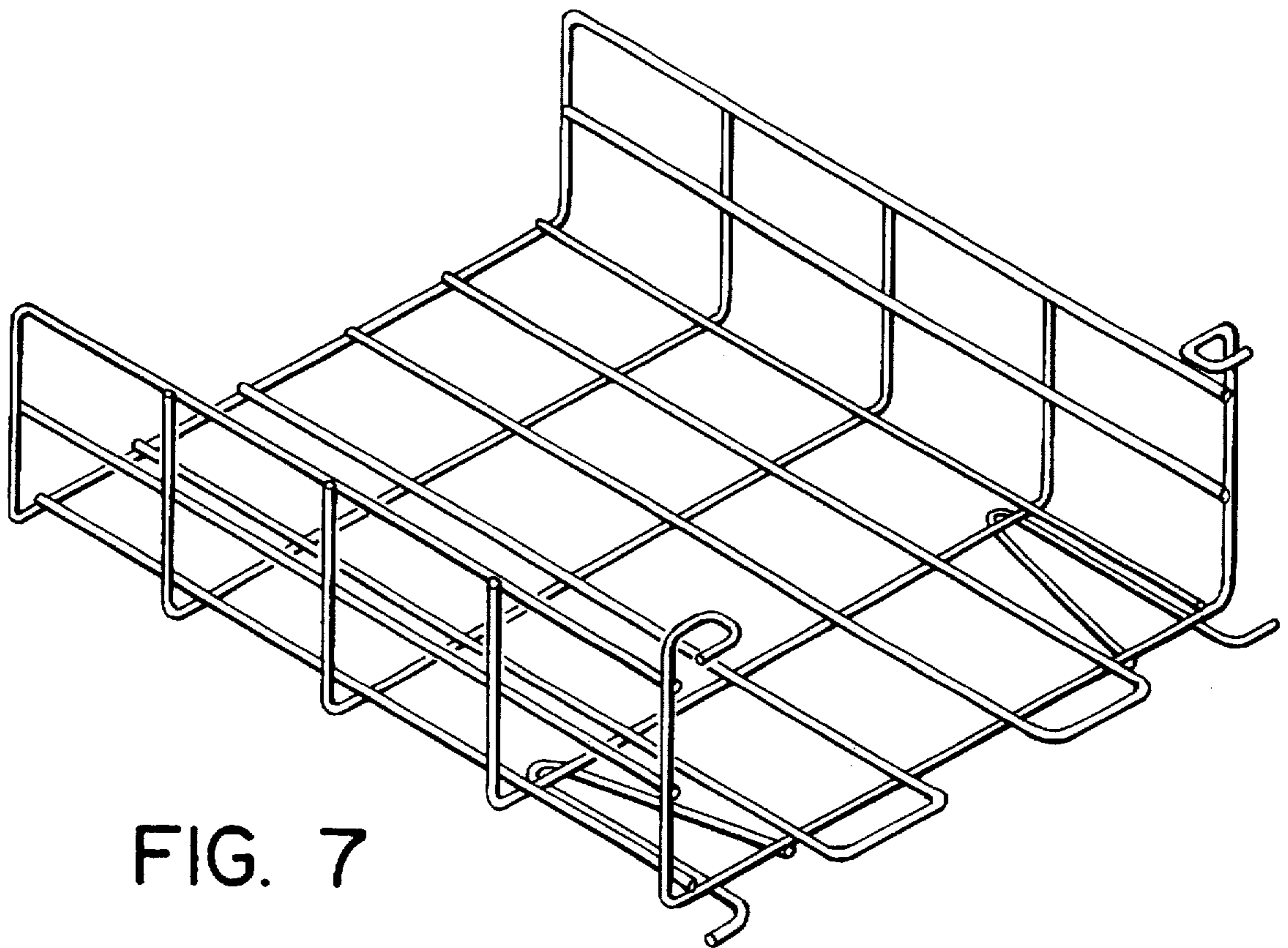


FIG. 7

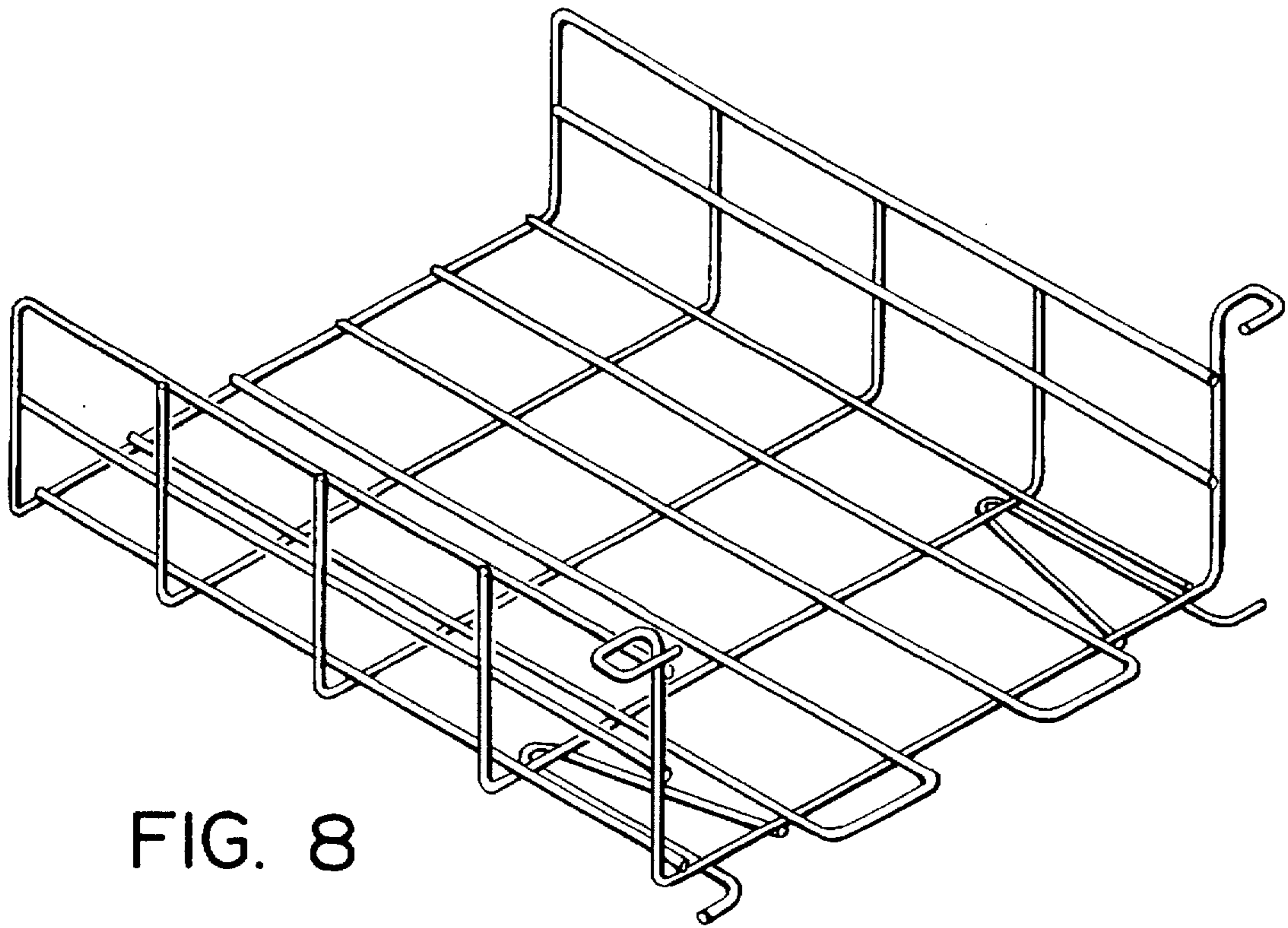


FIG. 8