



US00D394177S

United States Patent [19]
Christopher

[11] **Patent Number:** **Des. 394,177**
[45] **Date of Patent:** ****May 12, 1998**

[54] **TOILET PAPER DISPENSER**
[76] **Inventor:** **Lynda D. Christopher**, P.O. Box
64252, Tucson, Ariz. 85728
[**] **Term:** **14 Years**
[21] **Appl. No.:** **64,274**
[22] **Filed:** **Dec. 26, 1996**
[51] **LOC (6) Cl.** **07-07**
[52] **U.S. Cl.** **D6/523**
[58] **Field of Search** D6/518, 522, 523;
242/570, 590, 595, 596, 598, 598.5, 598.6;
206/390; 312/34.8

D. 292,859 11/1987 Neumann D6/523 X
D. 327,798 7/1992 Addison et al. D6/523
551,040 12/1895 Morgan .
4,721,264 1/1988 Muscarello 242/598.6
4,804,149 2/1989 Murphy .

Primary Examiner—Brian N. Vinson

[57] **CLAIM**

The ornamental design for a toilet paper dispenser, as shown and described.

DESCRIPTION

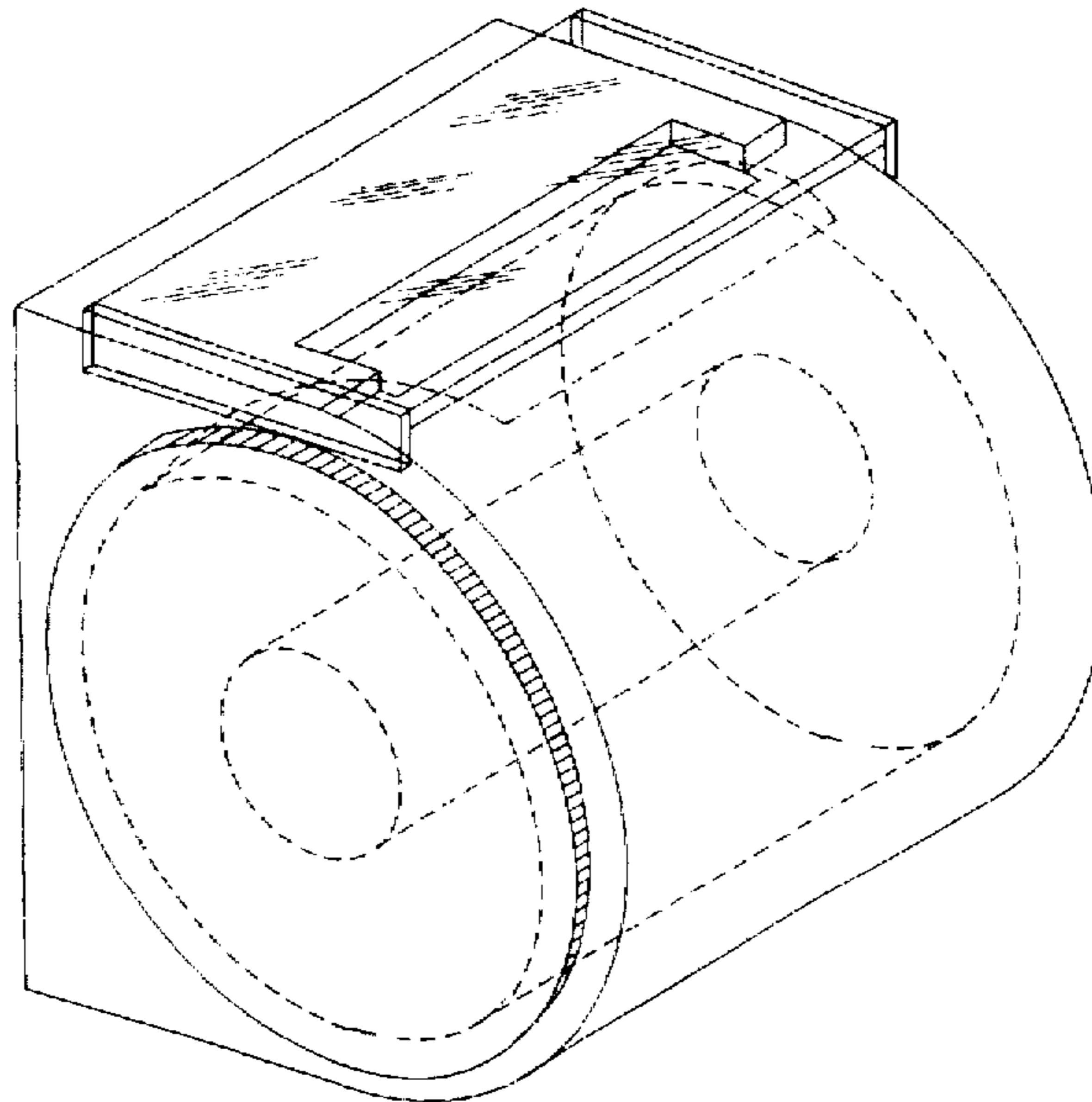
FIG. 1 is a perspective view of a toilet paper dispenser showing my new design;
FIG. 2 is a top plan view thereof;
FIG. 3 is a left side elevational view thereof;
FIG. 4 is a right side elevational view thereof;
FIG. 5 is a front elevational view thereof;
FIG. 6 is a front view thereof; and,
FIG. 7 is a bottom plan view thereof.

[56] **References Cited**

U.S. PATENT DOCUMENTS

D. 156,498 12/1949 Fomusa et al. D6/523
D. 247,465 3/1978 Ford D6/523
D. 267,760 2/1983 Vrignaud D6/523
D. 283,383 4/1986 Derrickson D6/523

1 Claim, 2 Drawing Sheets



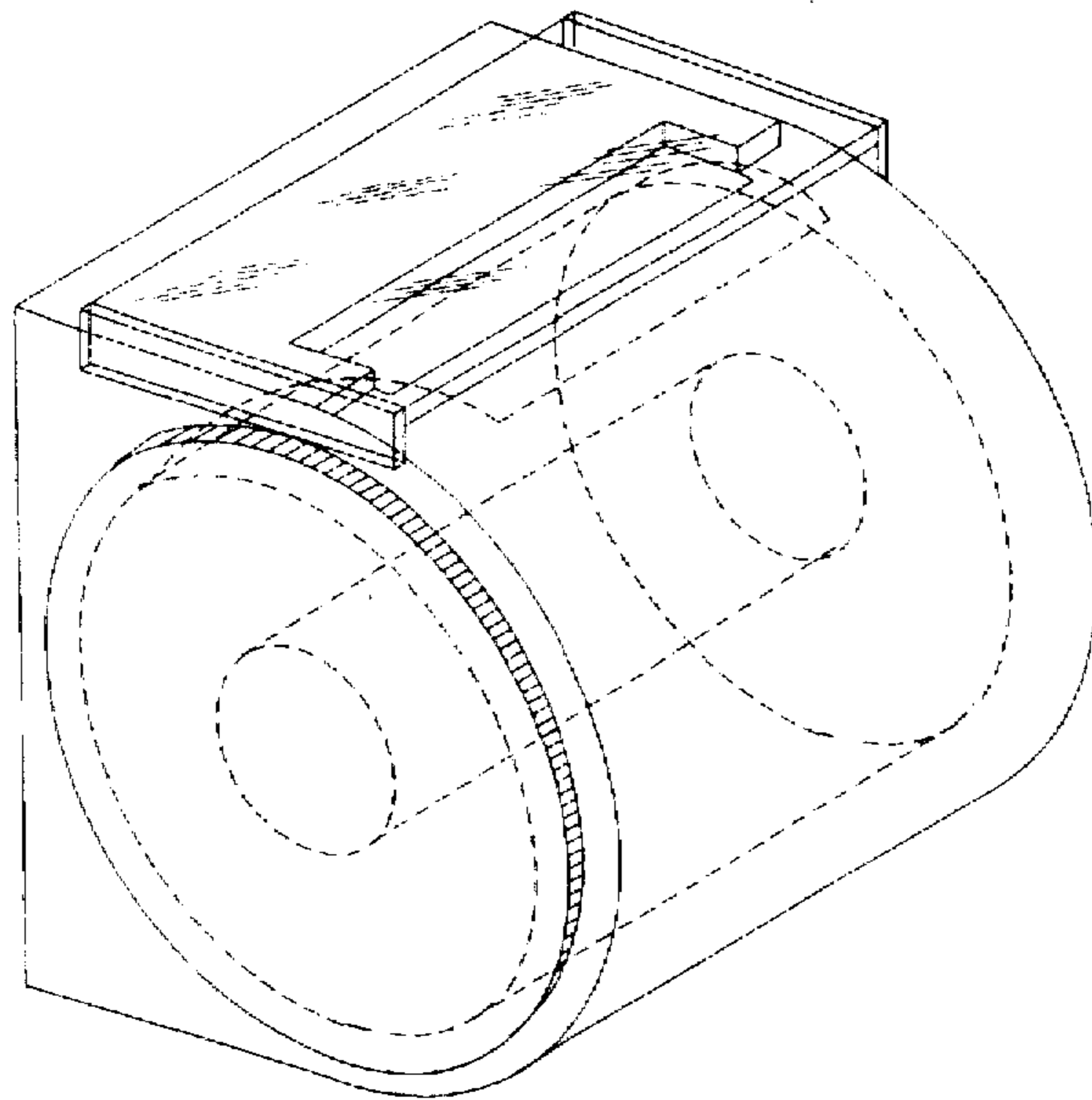


FIG. 1

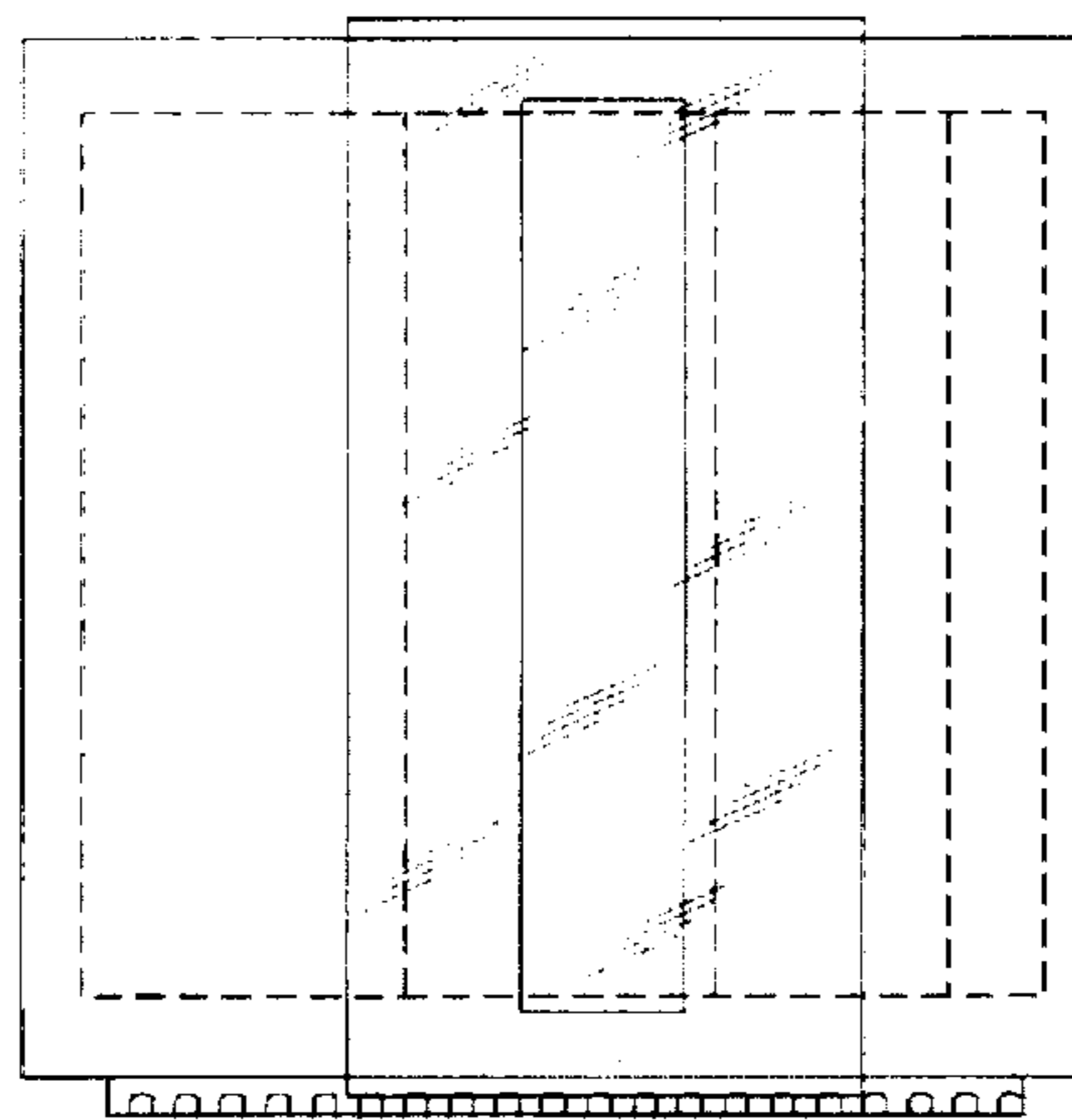


FIG. 2

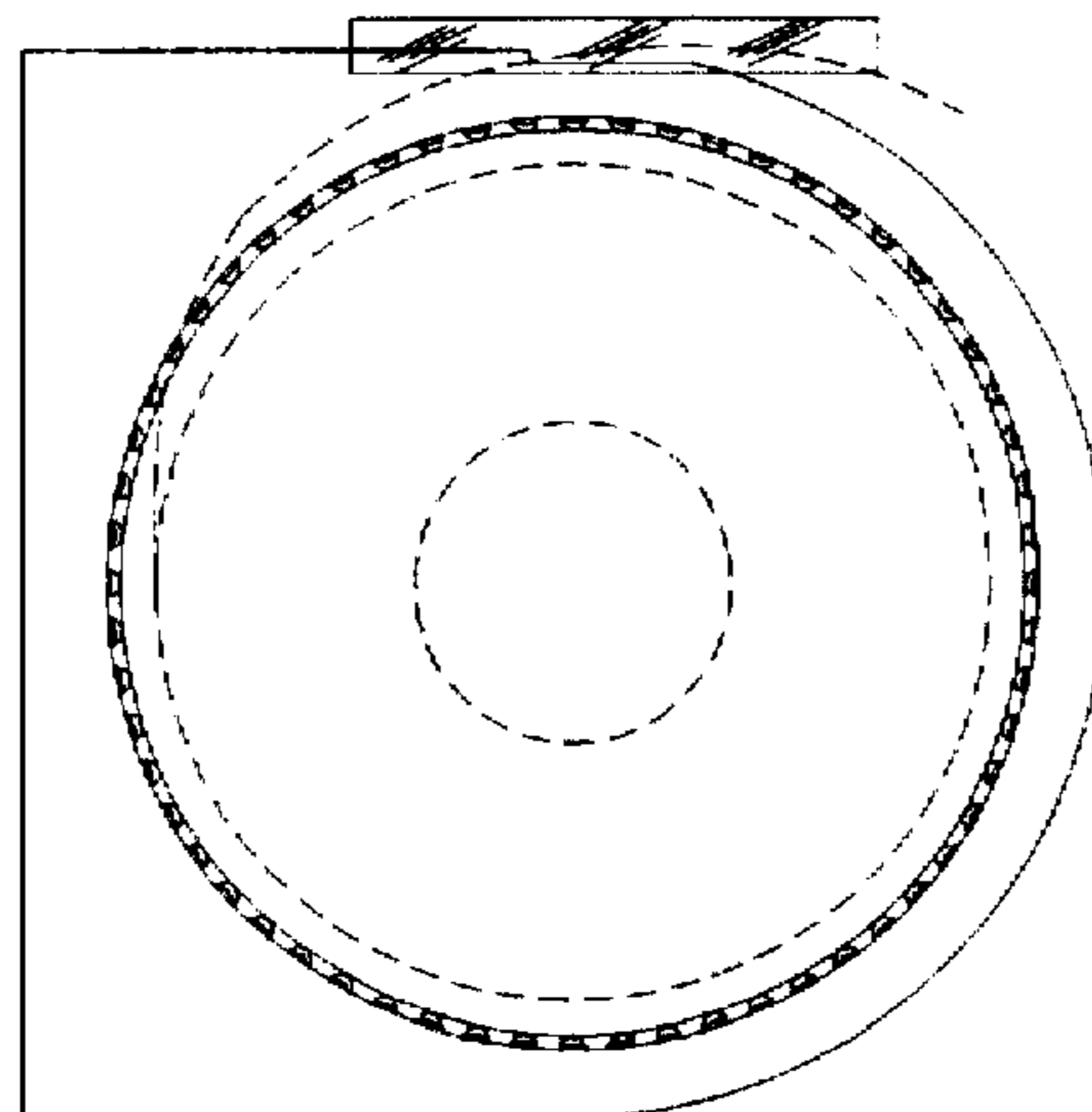


FIG. 3

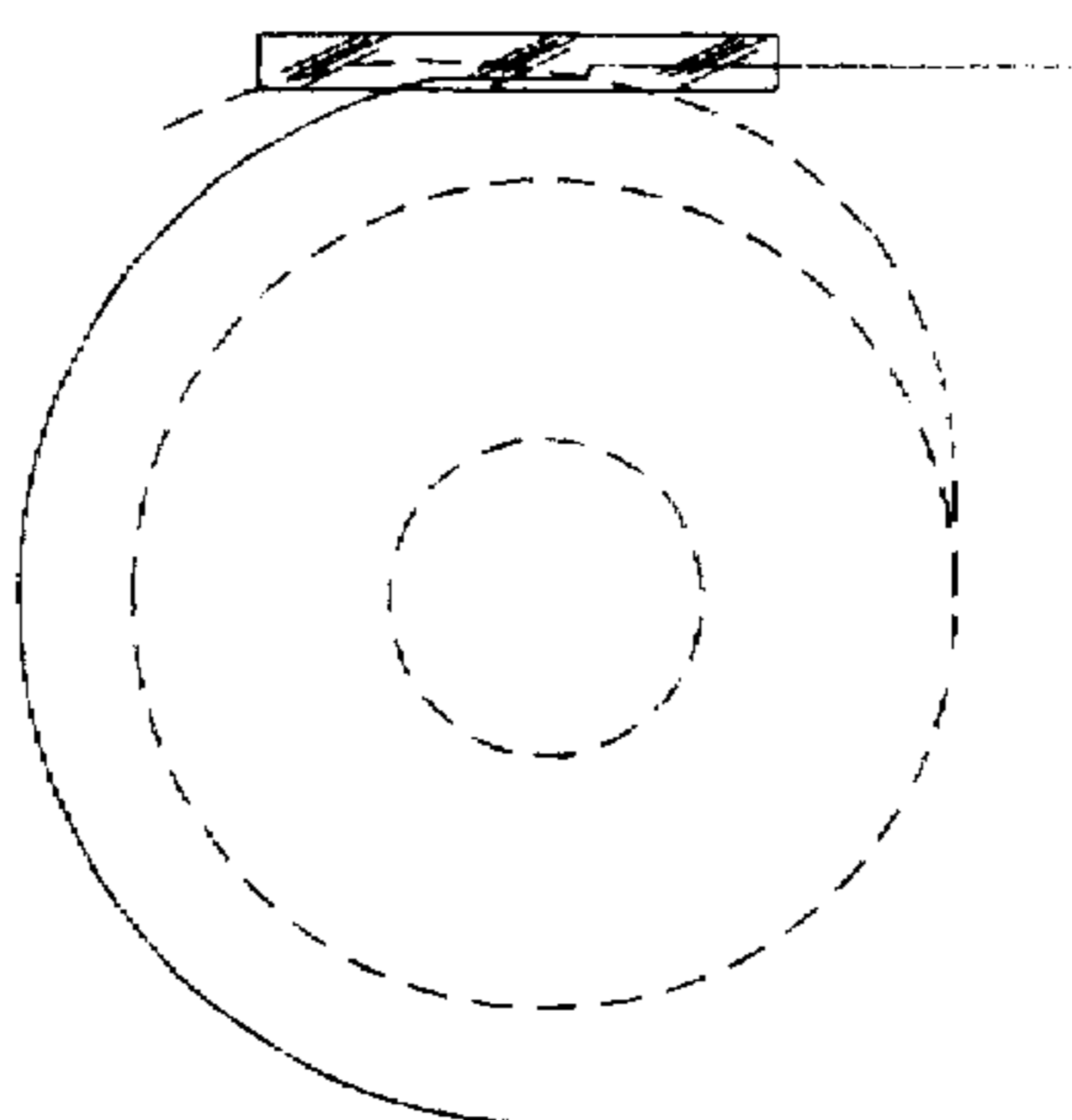


FIG. 4

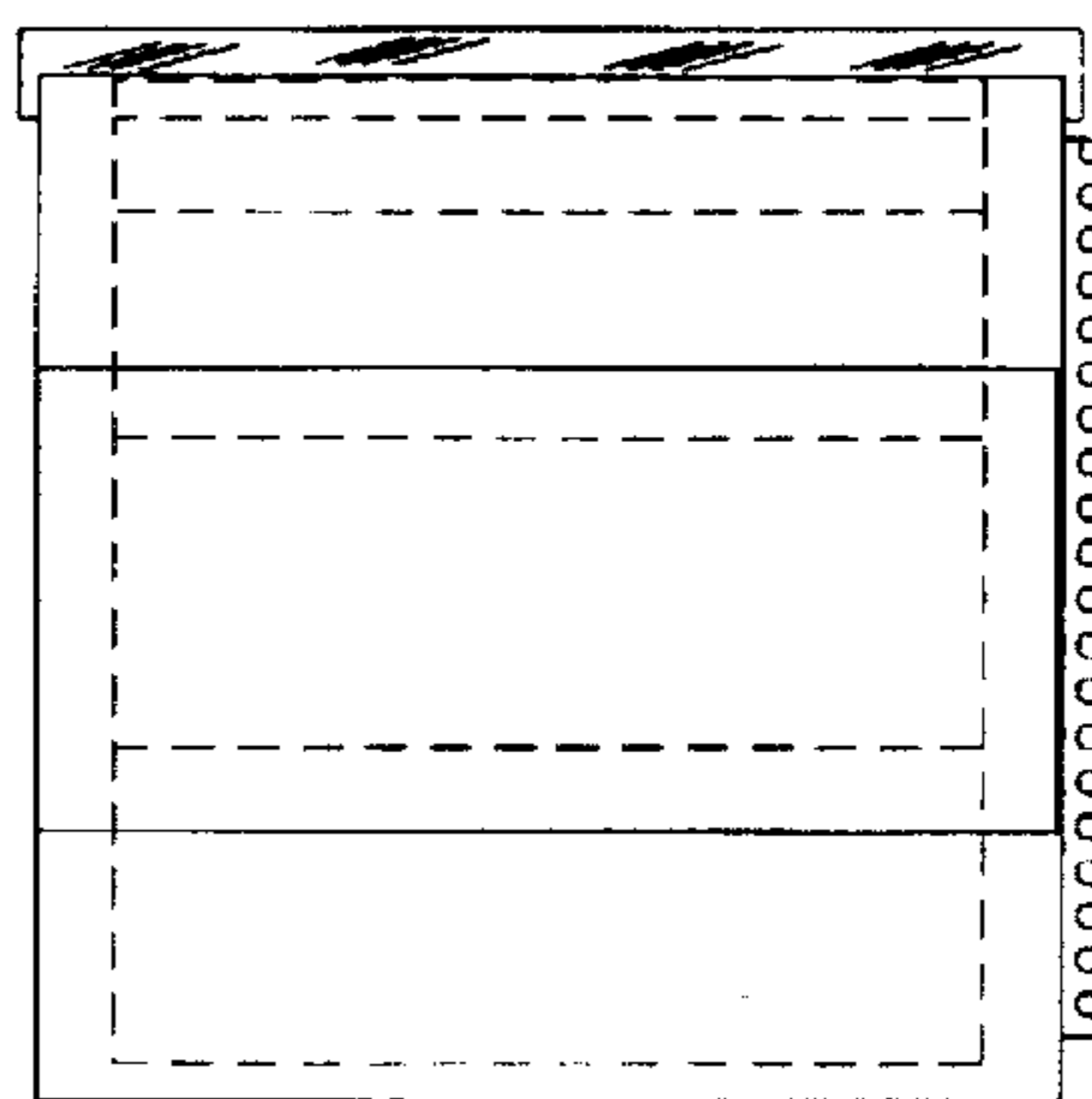


FIG. 5

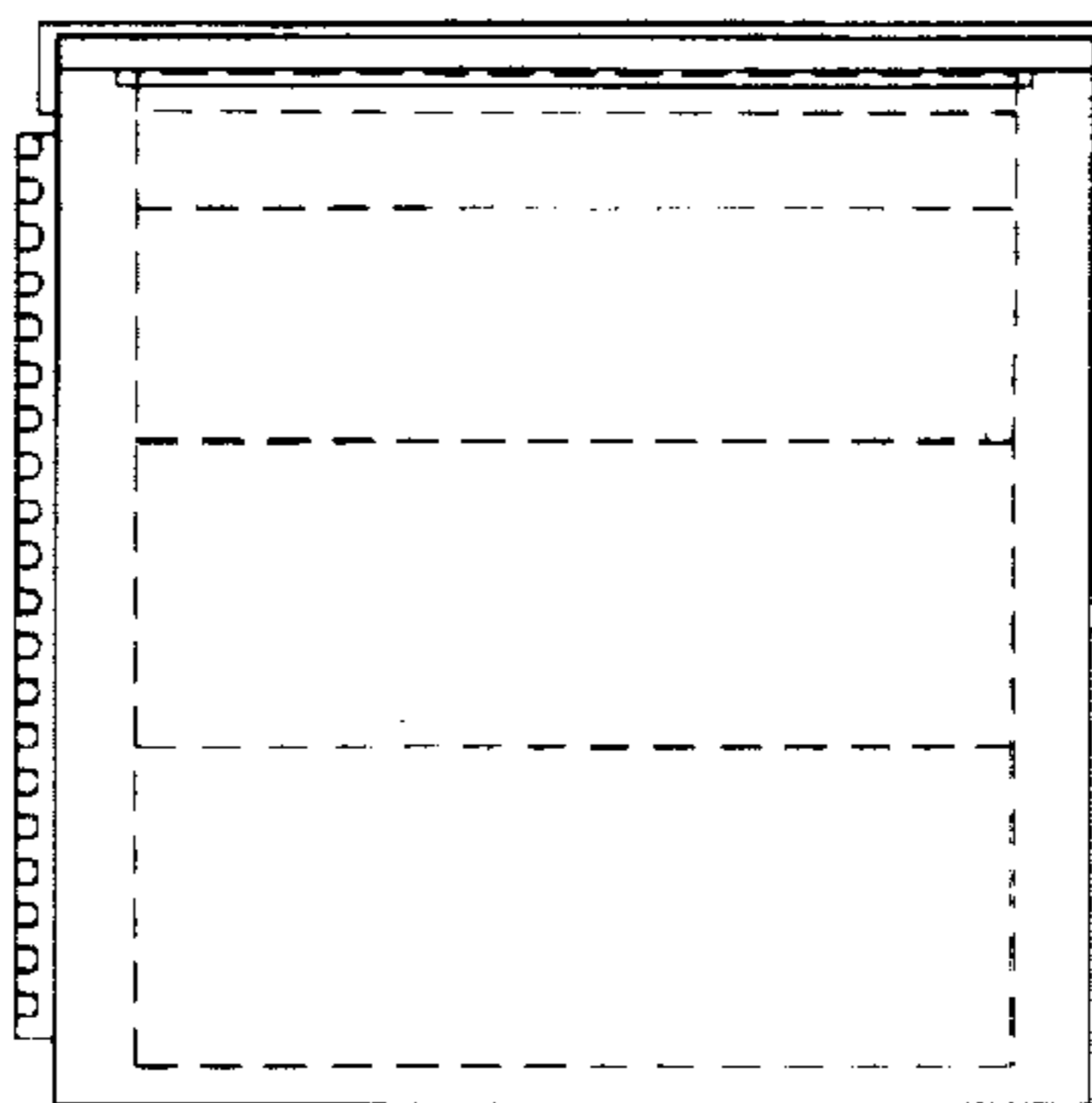


FIG. 6

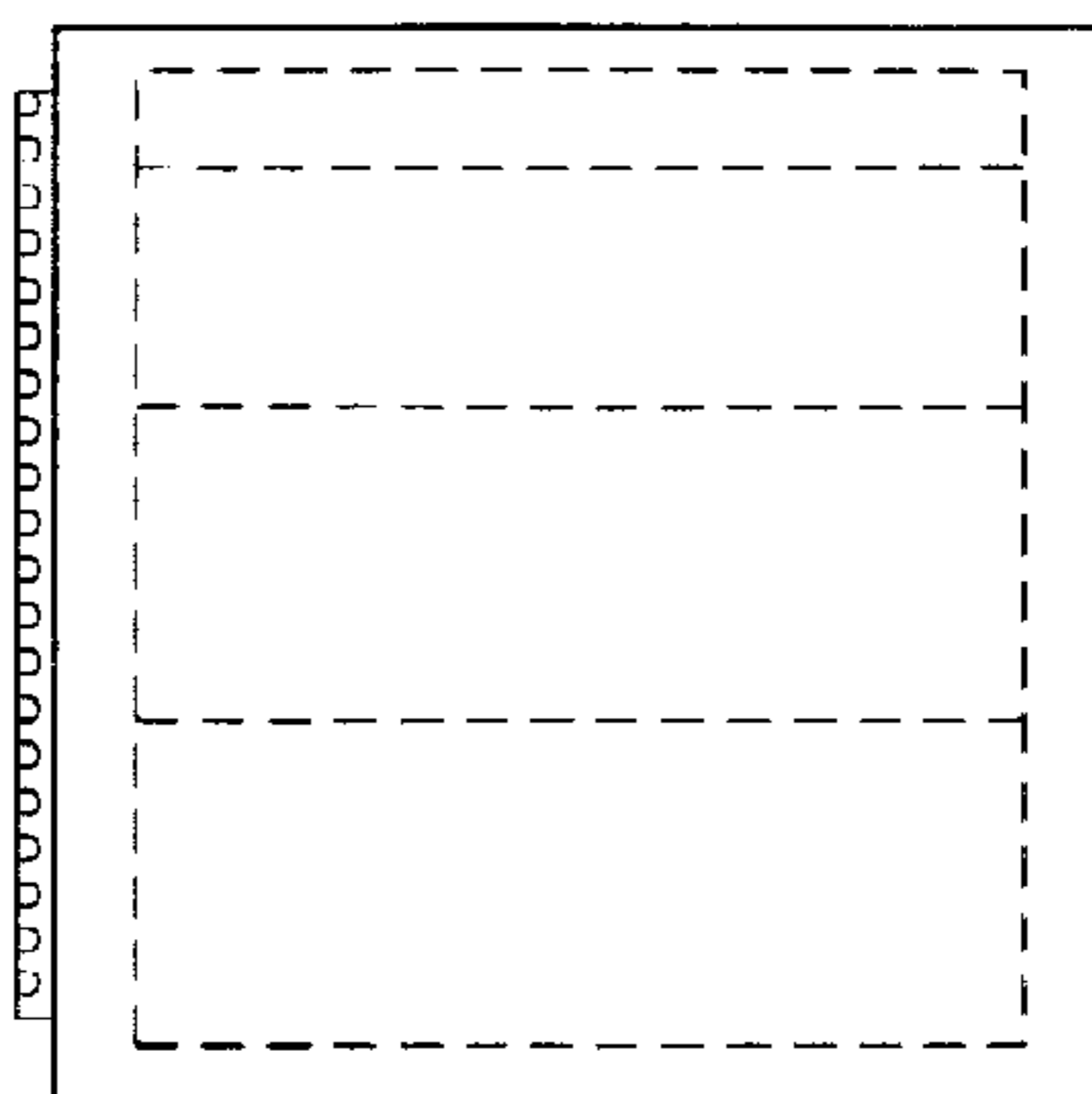


FIG. 7