



US00D394175S

United States Patent [19]
Olson

[11] **Patent Number: Des. 394,175**
[45] **Date of Patent: **May 12, 1998**

[54] **DESK**

[76] **Inventor: Ogden R. Olson, 2043 Mississippi View Dr., Muscatine, Iowa 52761**

[**] **Term: 14 Years**

[21] **Appl. No.: 59,552**

[22] **Filed: Sep. 12, 1996**

[51] **LOC (6) Cl. 06-03**

[52] **U.S. Cl. D6/495; D6/484**

[58] **Field of Search D6/480-489, 495-499, D6/429, 511; 108/153, 156, 157, 161; 248/188, 188.1**

[56] **References Cited**

U.S. PATENT DOCUMENTS

D. 284,532	7/1986	Vogt	D6/428
D. 352,845	11/1994	Hellwig et al.	D6/422
D. 372,812	8/1996	Graziano et al.	D6/429
5,301,616	4/1994	Wacker et al.	108/27

OTHER PUBLICATIONS

OPD, Jul. 1981, p. 104, Work station at top right.

Primary Examiner—Janice E. Seeger

[57] **CLAIM**

The ornamental design for a desk, as shown and described.

DESCRIPTION

FIG. 1 is a left, front perspective view of a desk showing my new design;

FIG. 2 is a left, rear perspective view thereof;

FIG. 3 is a front view thereof;

FIG. 4 is a rear view thereof;

FIG. 5 is a right side view, the opposite side being the mirror image thereof; and,

FIG. 6 is a bottom view thereof.

The desk is not part of the claimed design. The broken lines are for environmental purposes only and form no part of the claimed design.

1 Claim, 2 Drawing Sheets

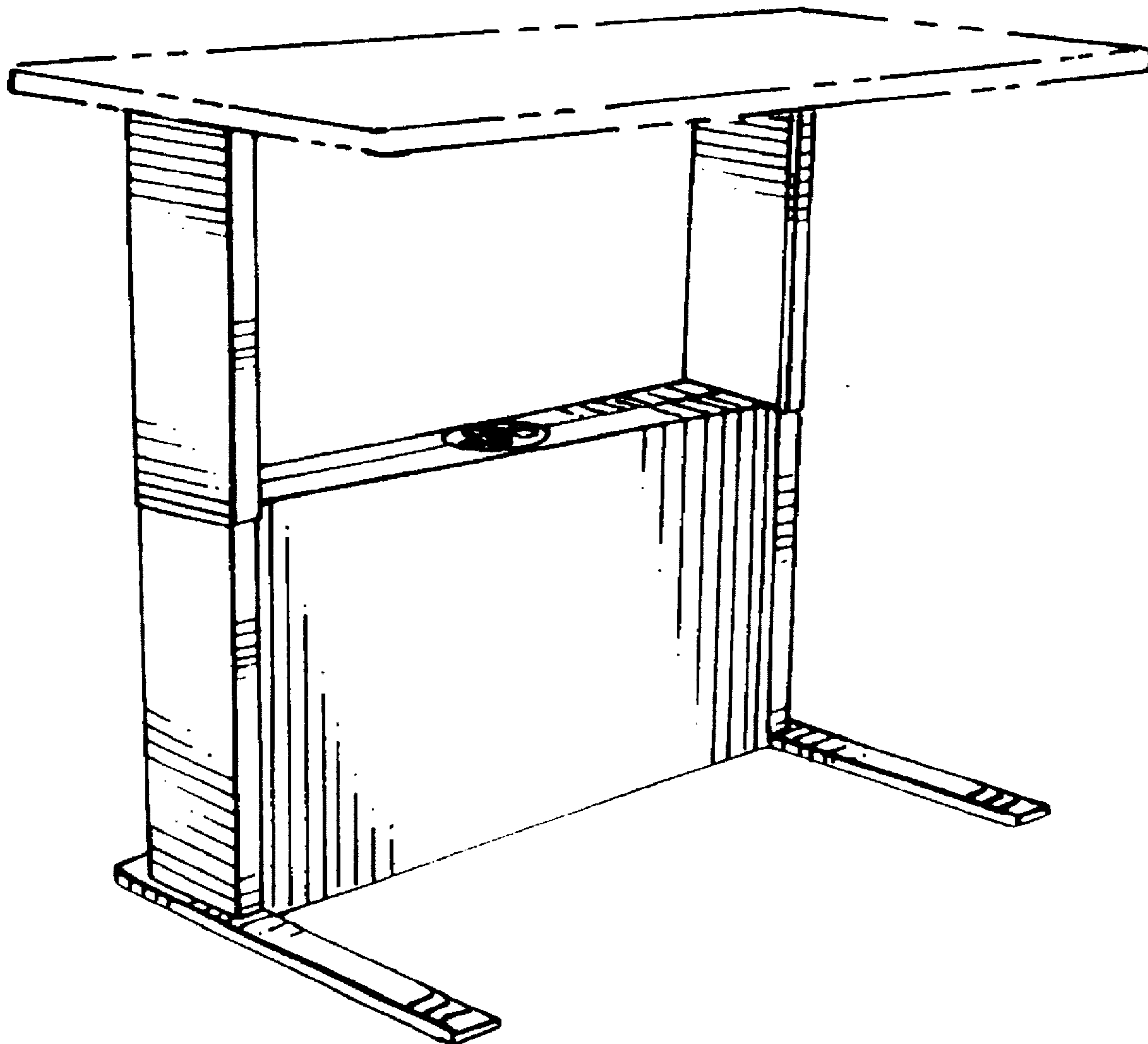


FIG. 1

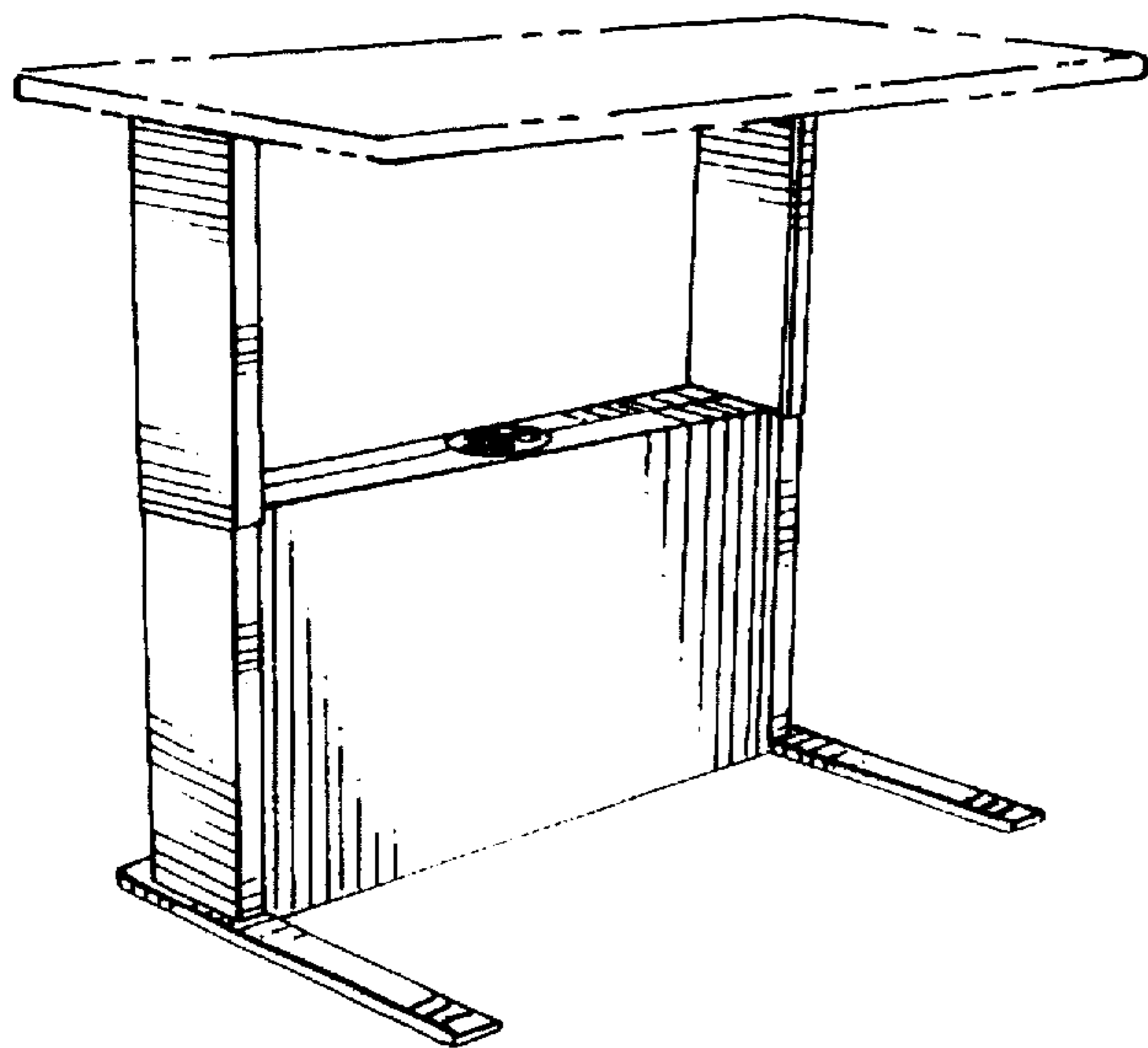


FIG. 2

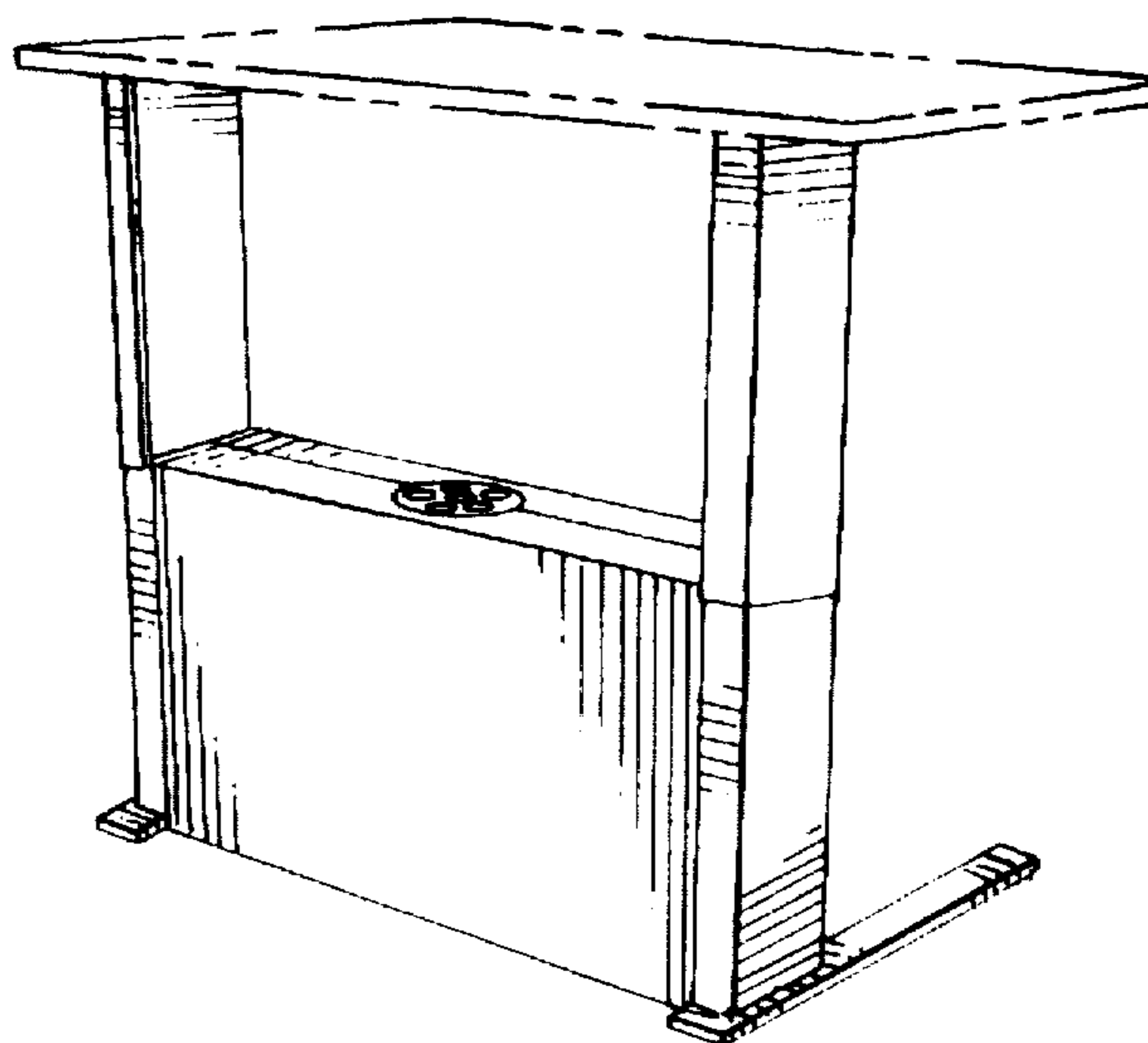


FIG. 3

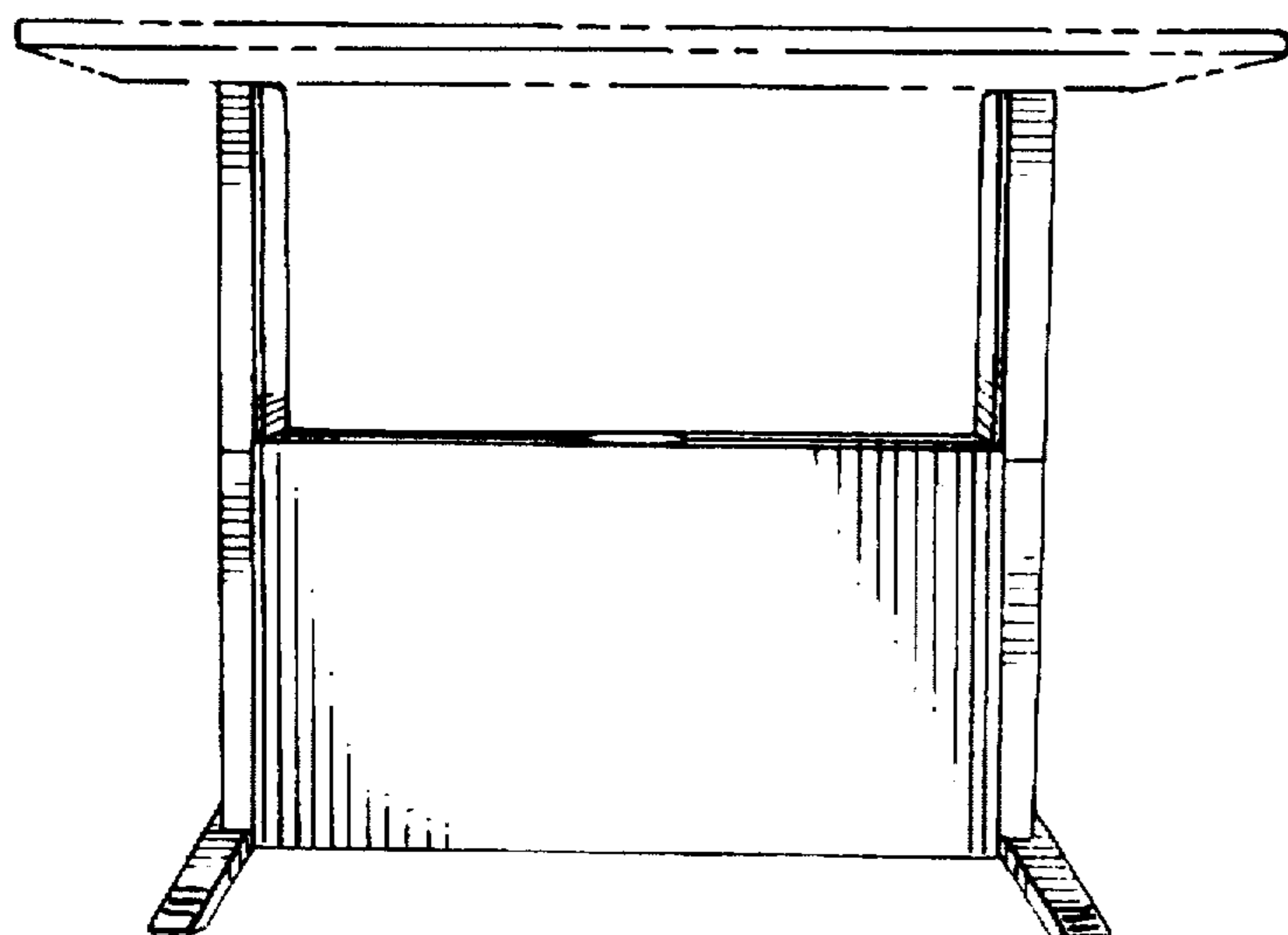


FIG. 4

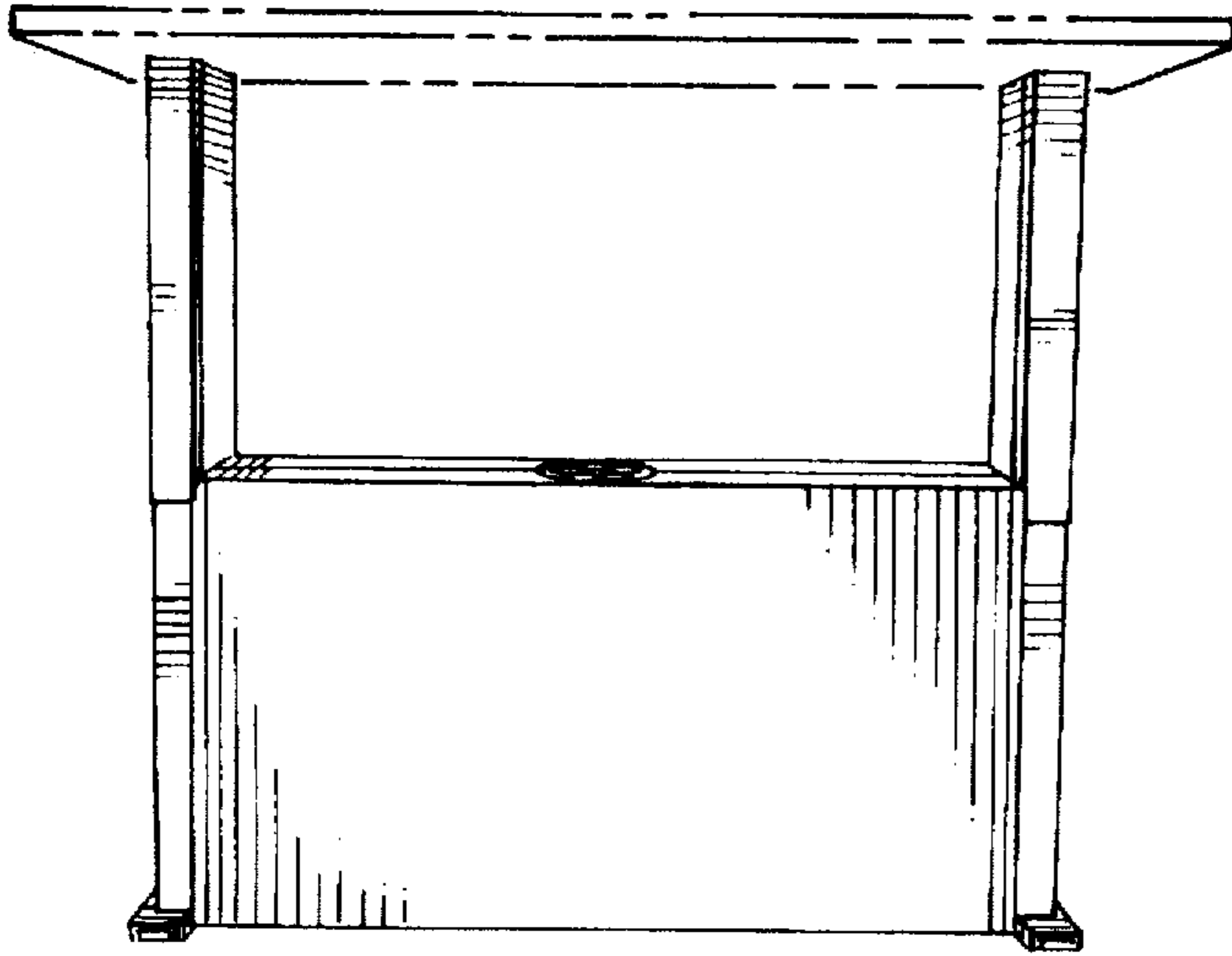


FIG. 5

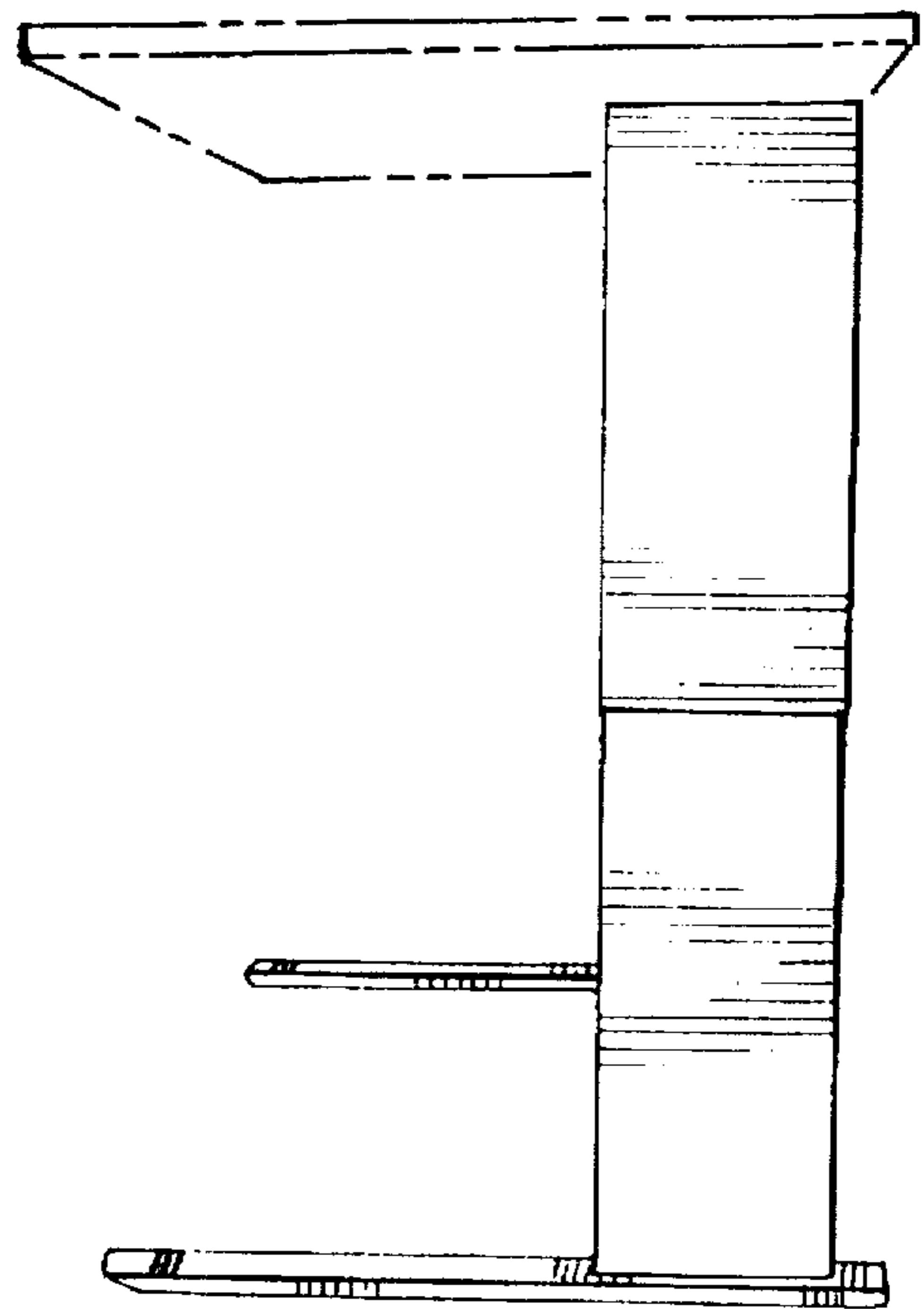


FIG. 6

