



US00D394172S

# United States Patent [19]

Kubo et al.

[11] Patent Number: **Des. 394,172**

[45] Date of Patent: **\*\*May 12, 1998**

[54] **STAND FOR A MONITOR AND KEYBOARD**

[75] Inventors: **Jiro Kubo**, Arling Heights; **Yoshikazu Tatsumi**, Blooming Dale, both of Ill.; **Hideaki Kitamura**, Minou, Japan

[73] Assignee: **Matsushita Electric Industrial Co., Ltd.**, Osaka, Japan

[\*\*] Term: **14 Years**

[21] Appl. No.: **55,832**

[22] Filed: **Jun. 3, 1996**

[51] LOC (6) Cl. .... **06-06**

[52] U.S. Cl. .... **D6/474; D14/114**

[58] Field of Search ..... D14/114, 100; D6/474, 461, 467, 509-11, 512-14, 429-31, 574, 567; 248/917-24, 442.2; 211/153

[56] **References Cited**

**U.S. PATENT DOCUMENTS**

D. 266,425 10/1982 Reaume ..... D14/114

D. 316,710 5/1991 Drake et al. .... D14/114  
D. 333,300 2/1993 Hatcher ..... D14/114  
D. 344,420 2/1994 Rodriguez ..... D6/474  
D. 345,151 3/1994 Hassel ..... D14/114

*Primary Examiner*—M. H. Tung  
*Attorney, Agent, or Firm*—McDermott, Will & Emery

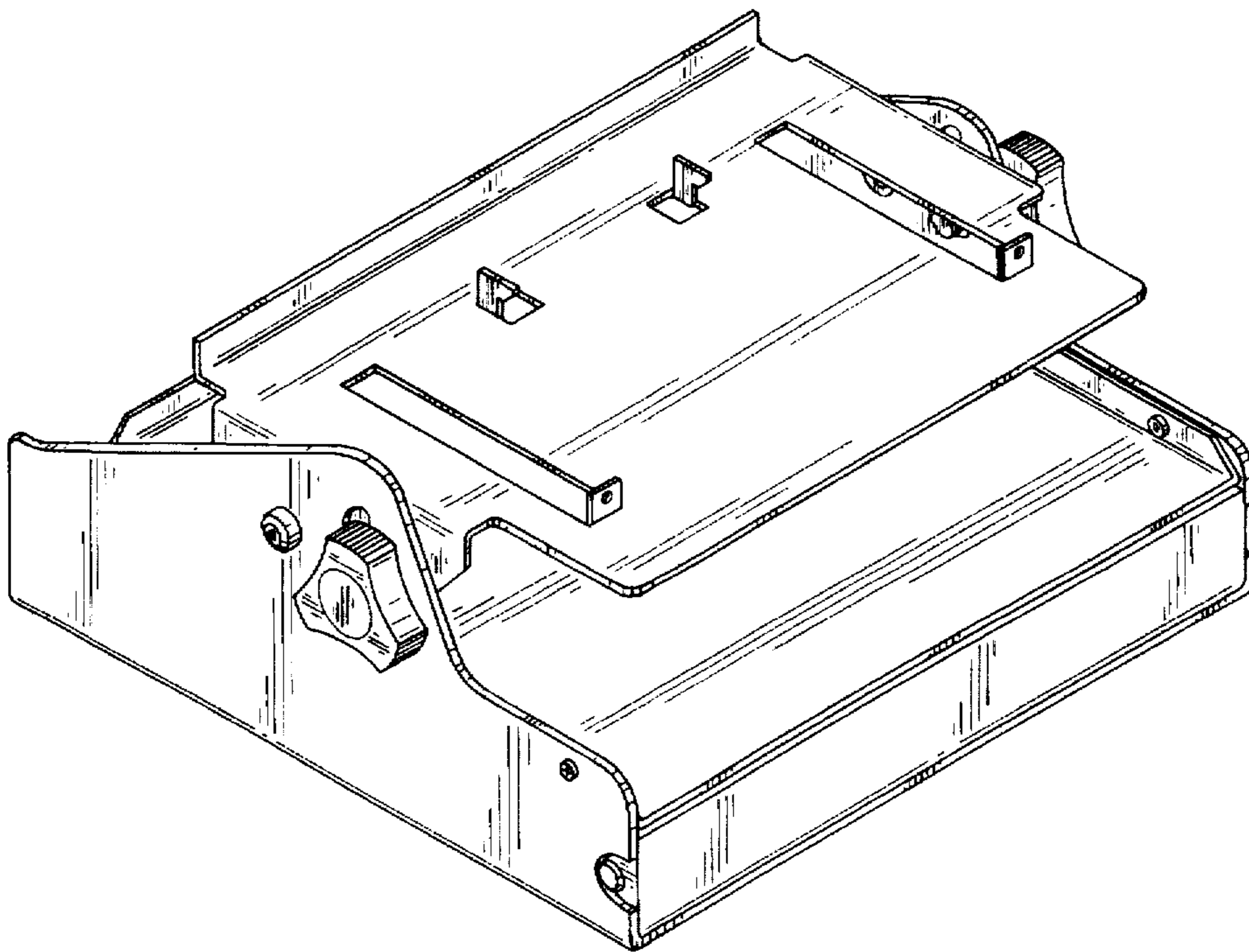
[57] **CLAIM**

The ornamental design for a stand for a monitor and keyboard, as shown and described.

**DESCRIPTION**

FIG. 1 is a perspective view showing my design of a stand for a monitor and keyboard on an enlarged scale;  
FIG. 2 is a left elevation view thereof;  
FIG. 3 is a right elevation view thereof;  
FIG. 4 is a front elevation view thereof;  
FIG. 5 is a back elevation view thereof;  
FIG. 6 is a top view thereof; and,  
FIG. 7 is a bottom view thereof.

**1 Claim, 5 Drawing Sheets**



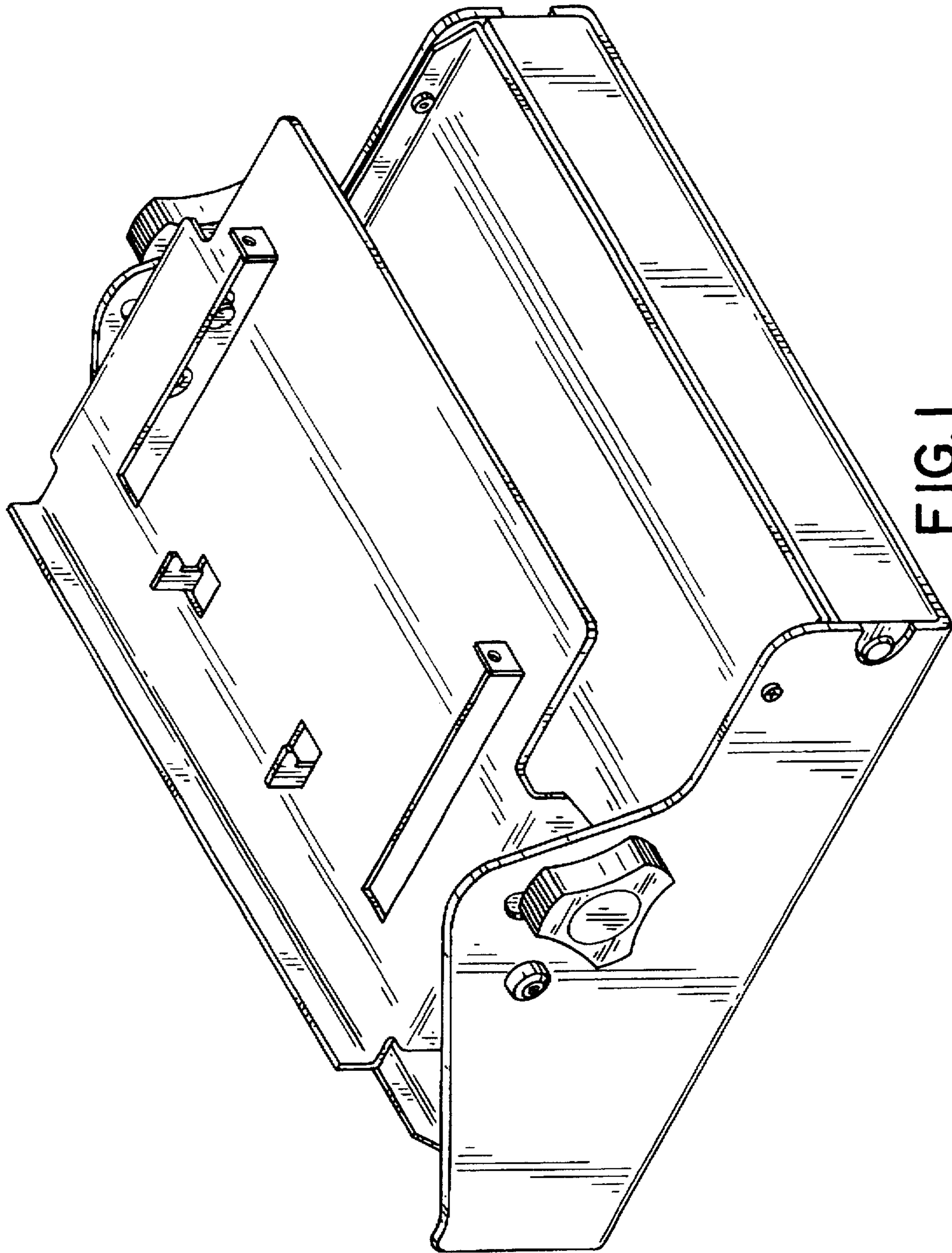


FIG. 1

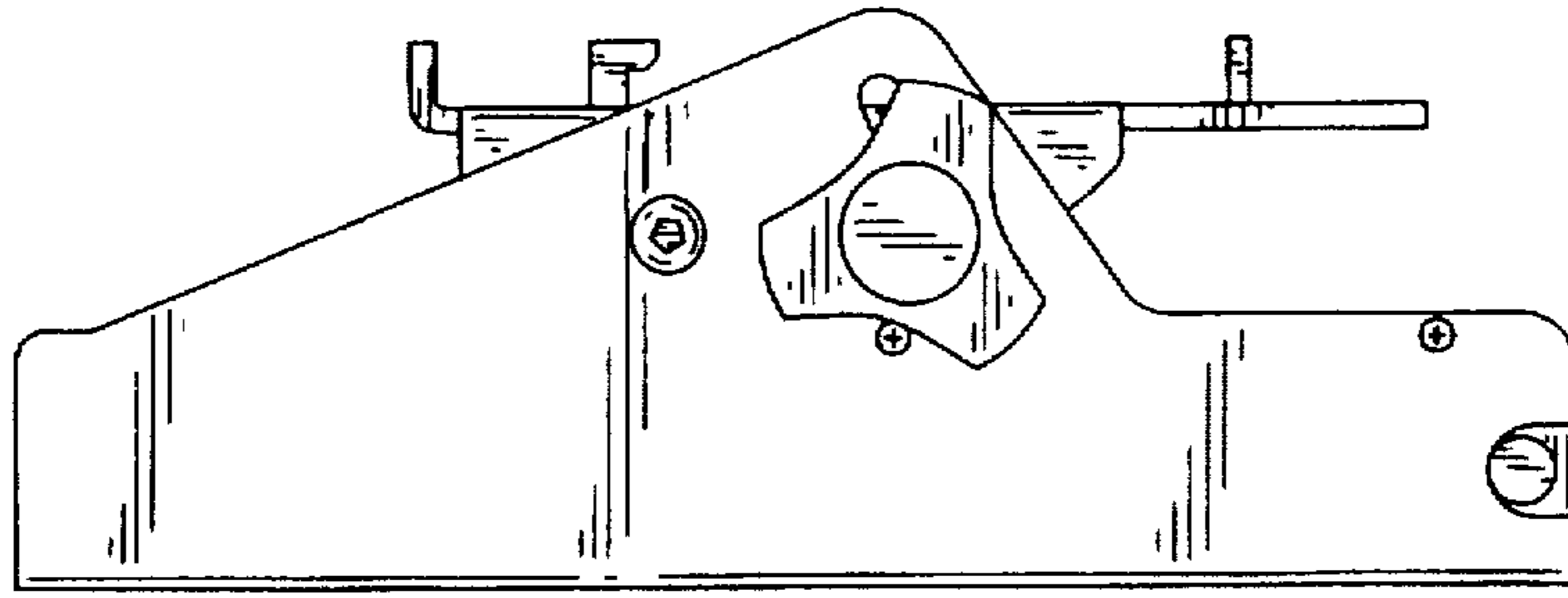


FIG. 2

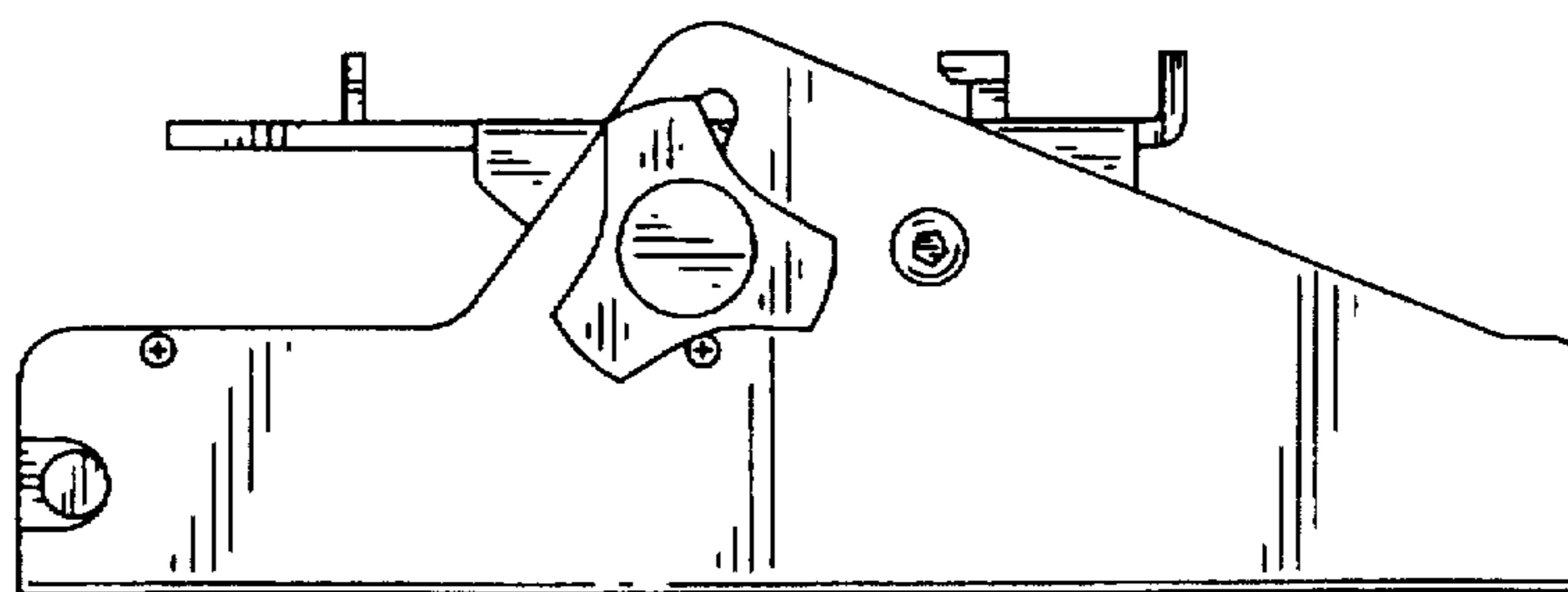


FIG. 3

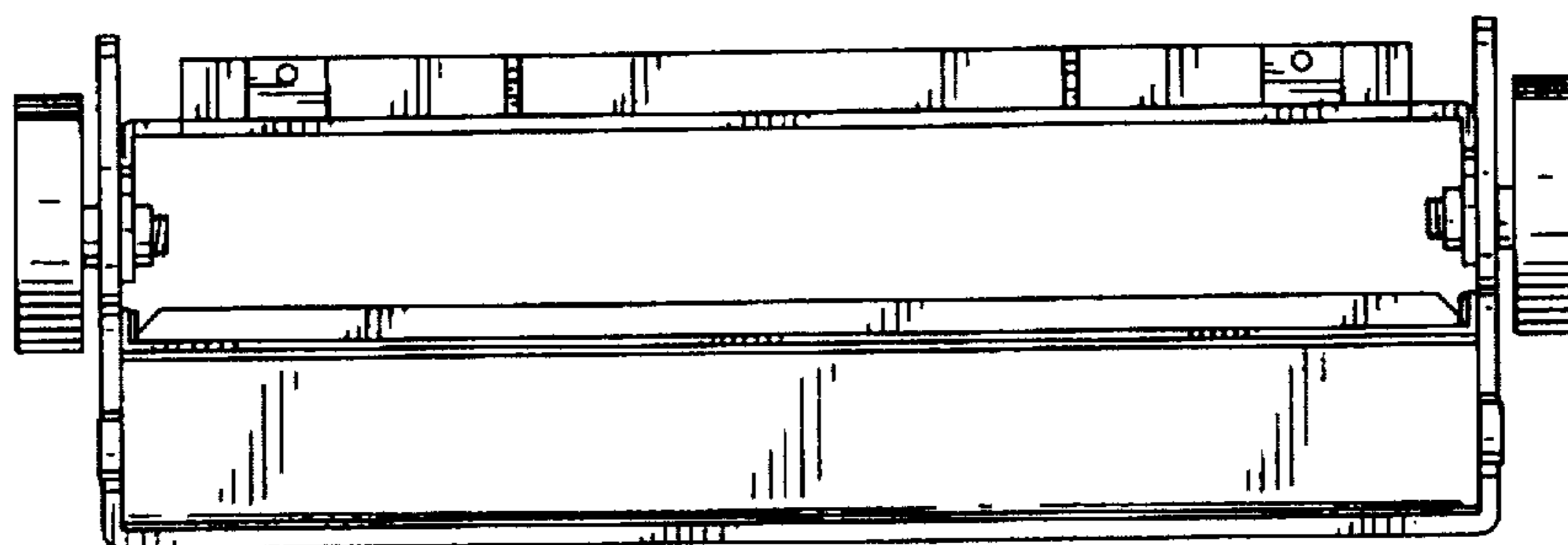


FIG. 4

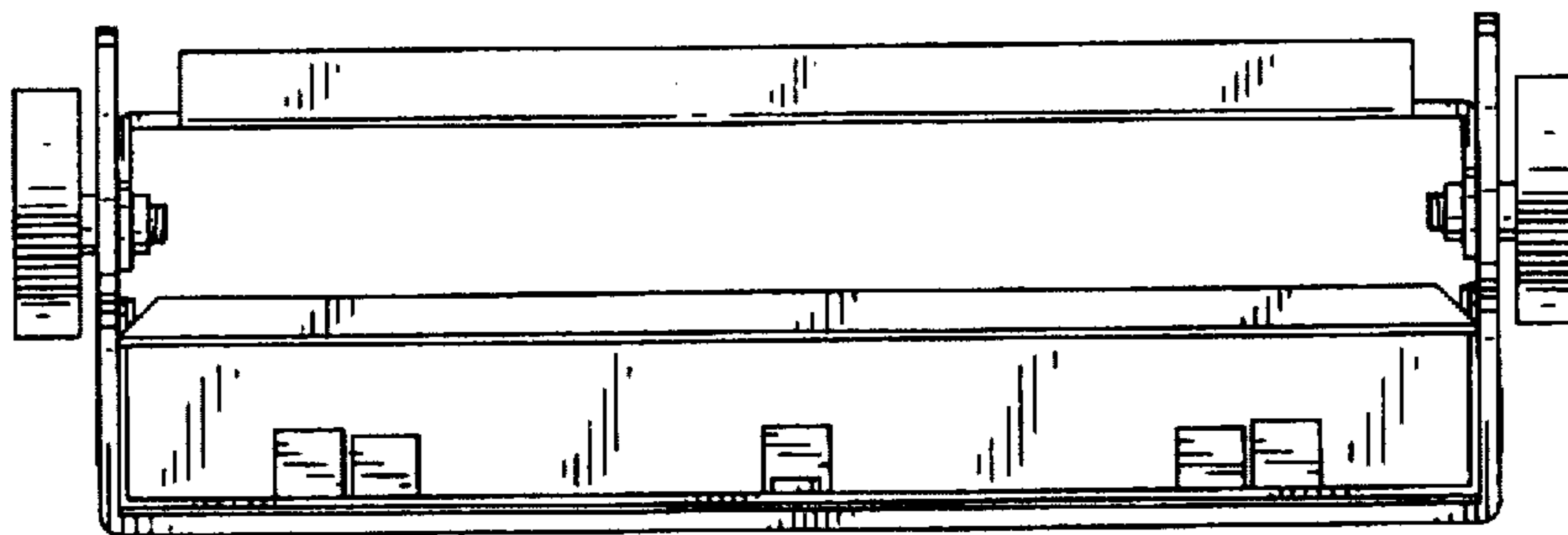


FIG. 5

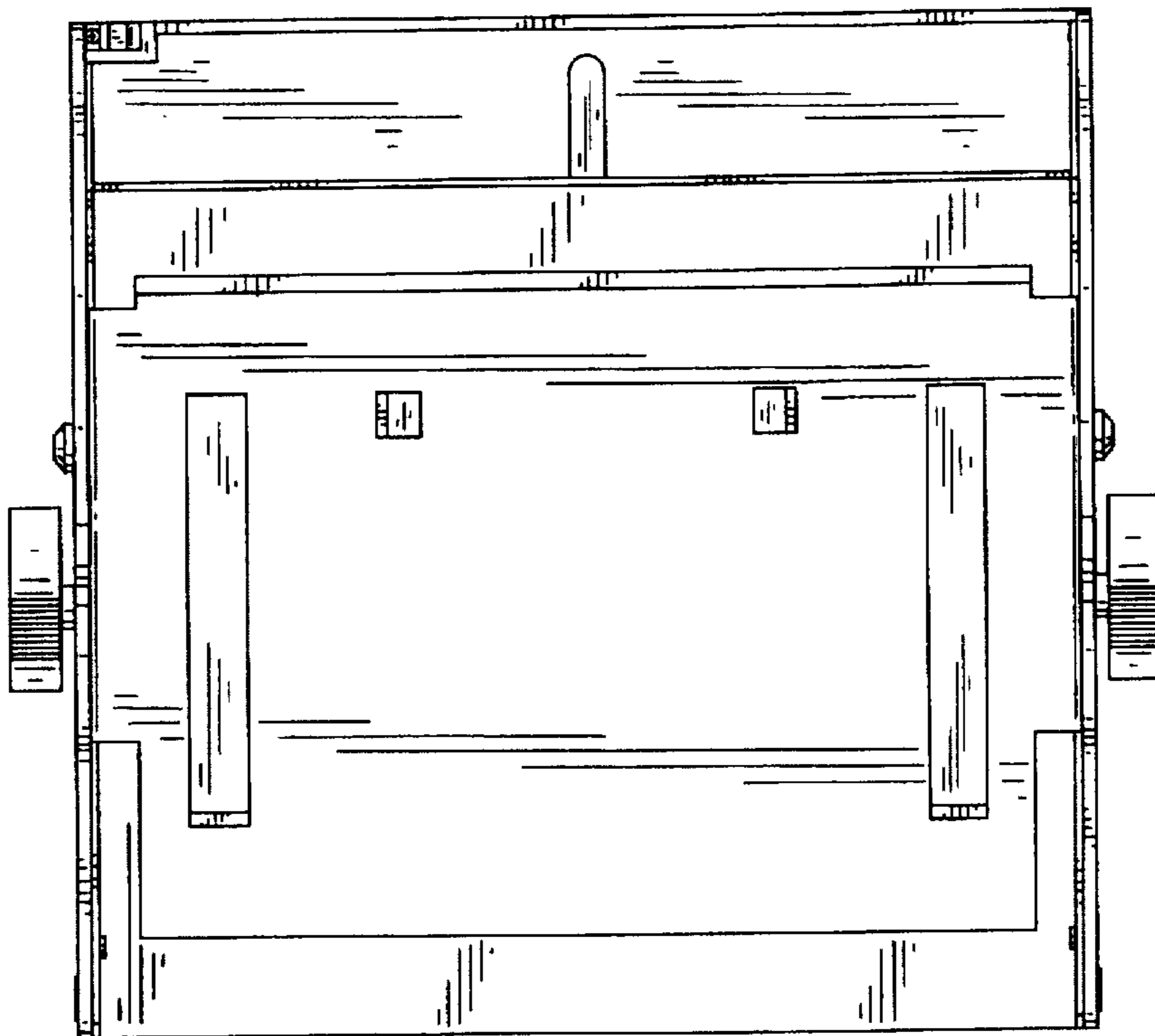


FIG. 6

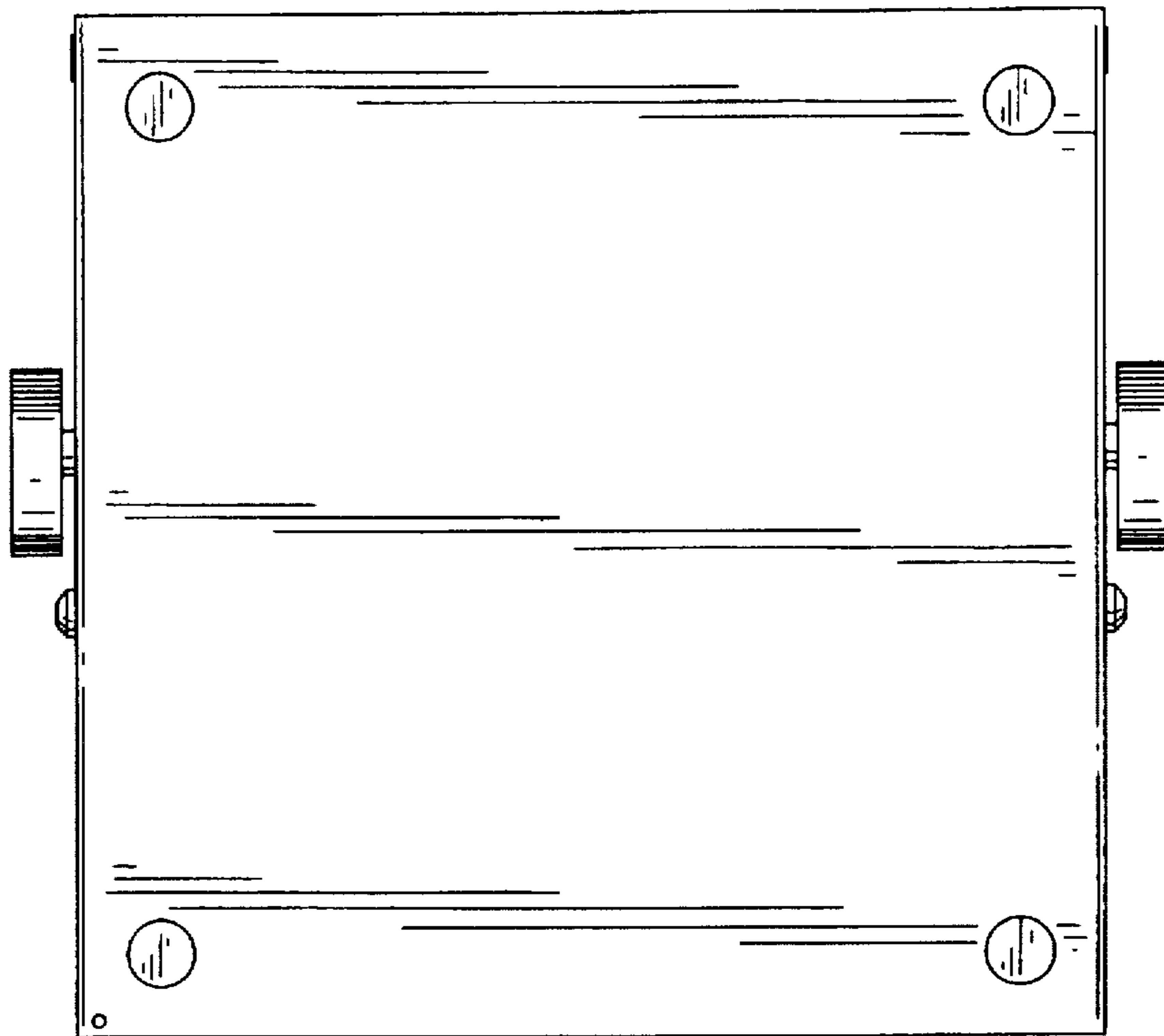


FIG. 7