



US00D394167S

United States Patent [19]

[11] Patent Number: Des. 394,167

Estap  t al.

[45] Date of Patent: **May 12, 1998

[54] BED FRAME

Attorney, Agent, or Firm—Brown, Martin, Haller & McClain

[76] Inventors: **Jorge Estap  ;** **Joyce Estap  .** both of
2453 San Pasqual Valley Rd.,
Escondido, Calif. 92027

[57] CLAIM

[**] Term: 14 Years

The ornamental design for a bed frame, as shown and described.

[21] Appl. No.: 53,016

DESCRIPTION

[22] Filed: Mar. 29, 1996

[51] LOC (6) Cl. 06-01

[52] U.S. Cl. D6/393

[58] Field of Search D6/382-384, 388-395,
D6/505-508; 5/53.1, 279.1, 280, 281, 907,
908

FIG. 1 is a front perspective view of a bed frame showing our new design;

FIG. 2 is a side elevational view thereof, both sides being similar;

FIG. 3 is a top plan view thereof;

FIG. 4 is a rear elevational view thereof;

FIG. 5 is an enlarged sectional view taken on line 5—5 of Fig. 2; and FIG. 6 is an enlarged sectional view take on line 6—6 of FIG. 4.

[56] References Cited

U.S. PATENT DOCUMENTS

D. 368,178 3/1996 Walters, III et al. D6/393
D. 374,562 10/1996 Mann et al. D6/389 X

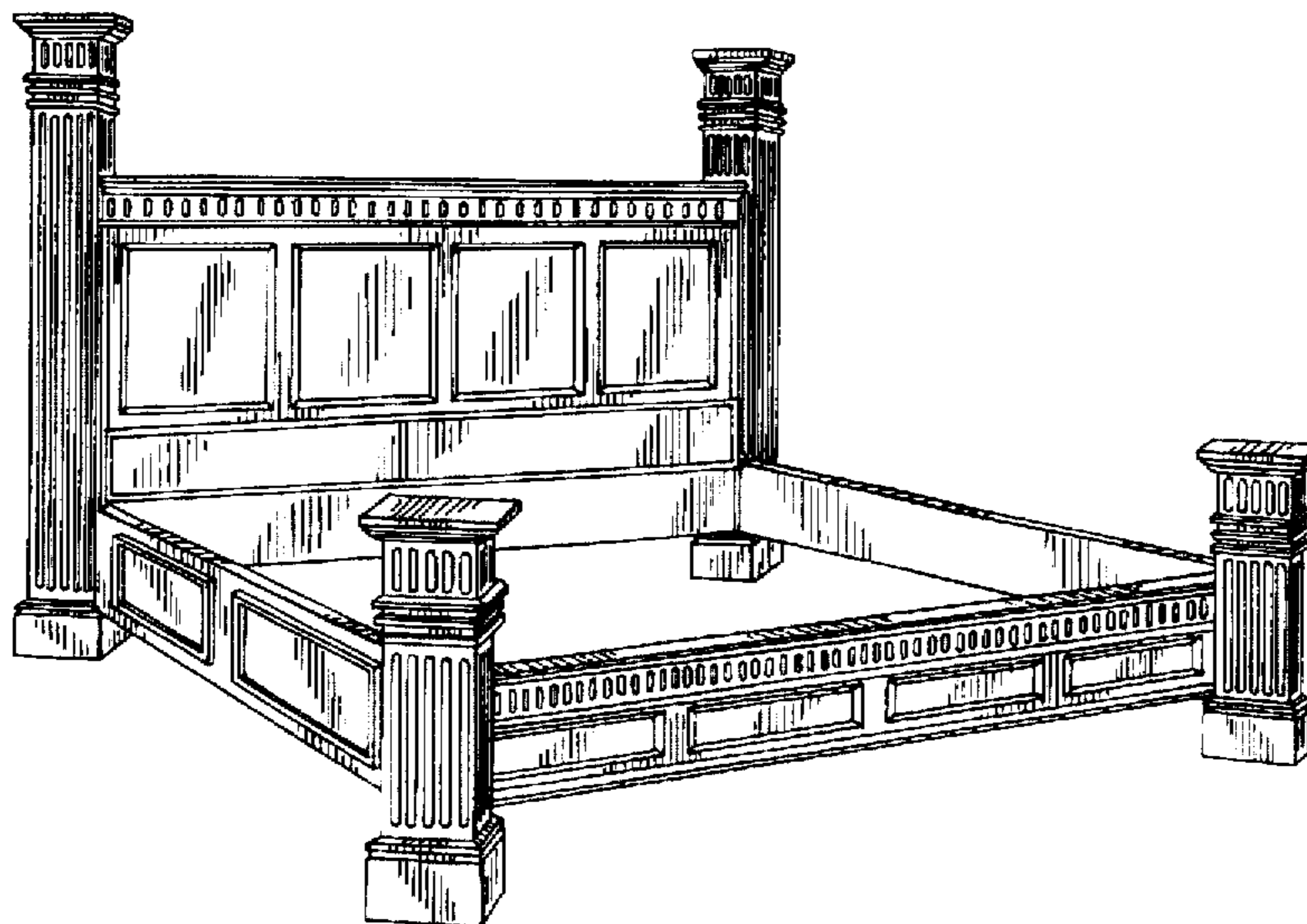
OTHER PUBLICATIONS

Furniture South, Apr. 1982, p. 4, Bed.
Furniture Today, Oct. 21, 1996, p. 133, bed.

The rear of the footboard is flat and unornamented.

Primary Examiner—Janice E. Seeger

1 Claim, 3 Drawing Sheets



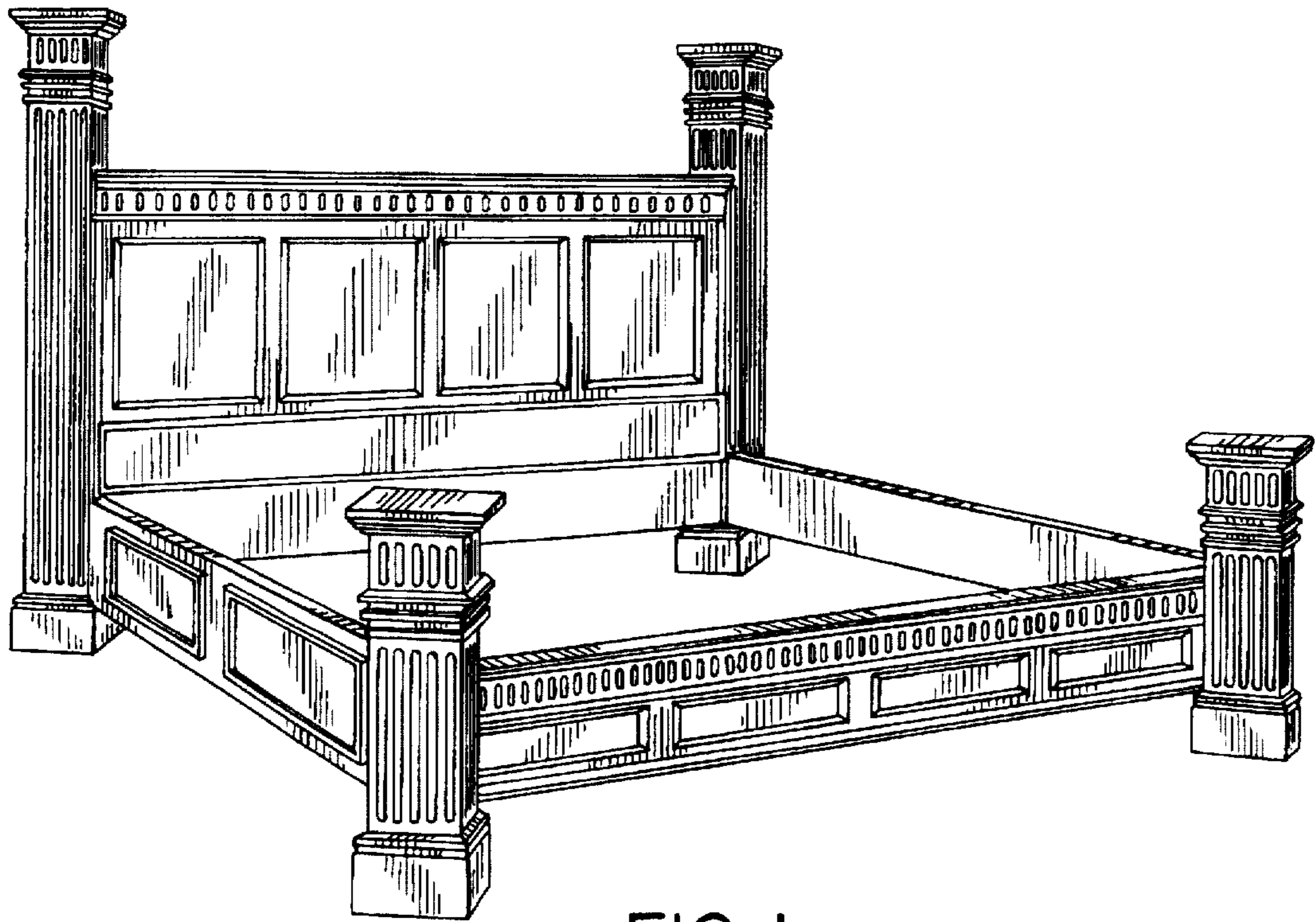


FIG. 1

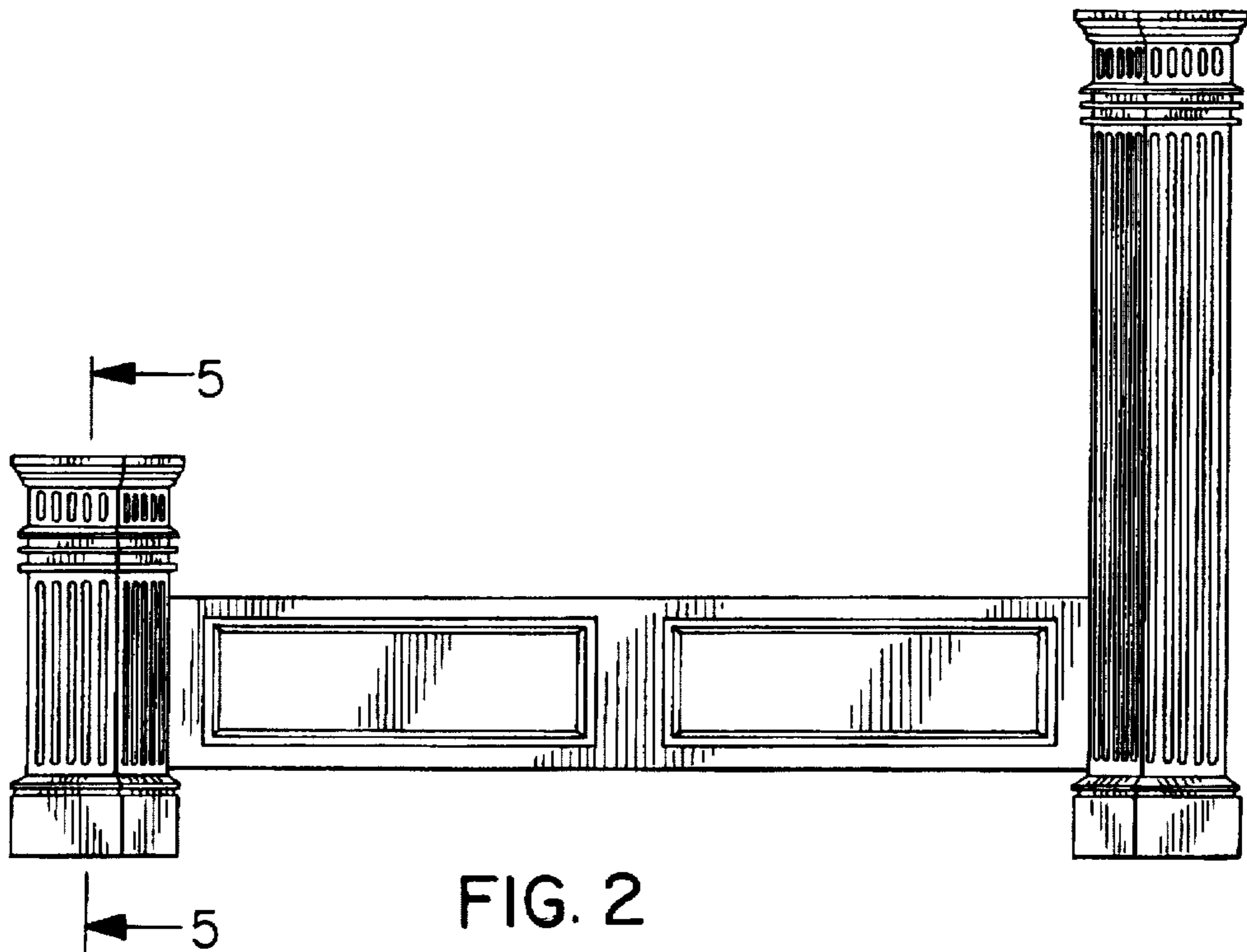


FIG. 2

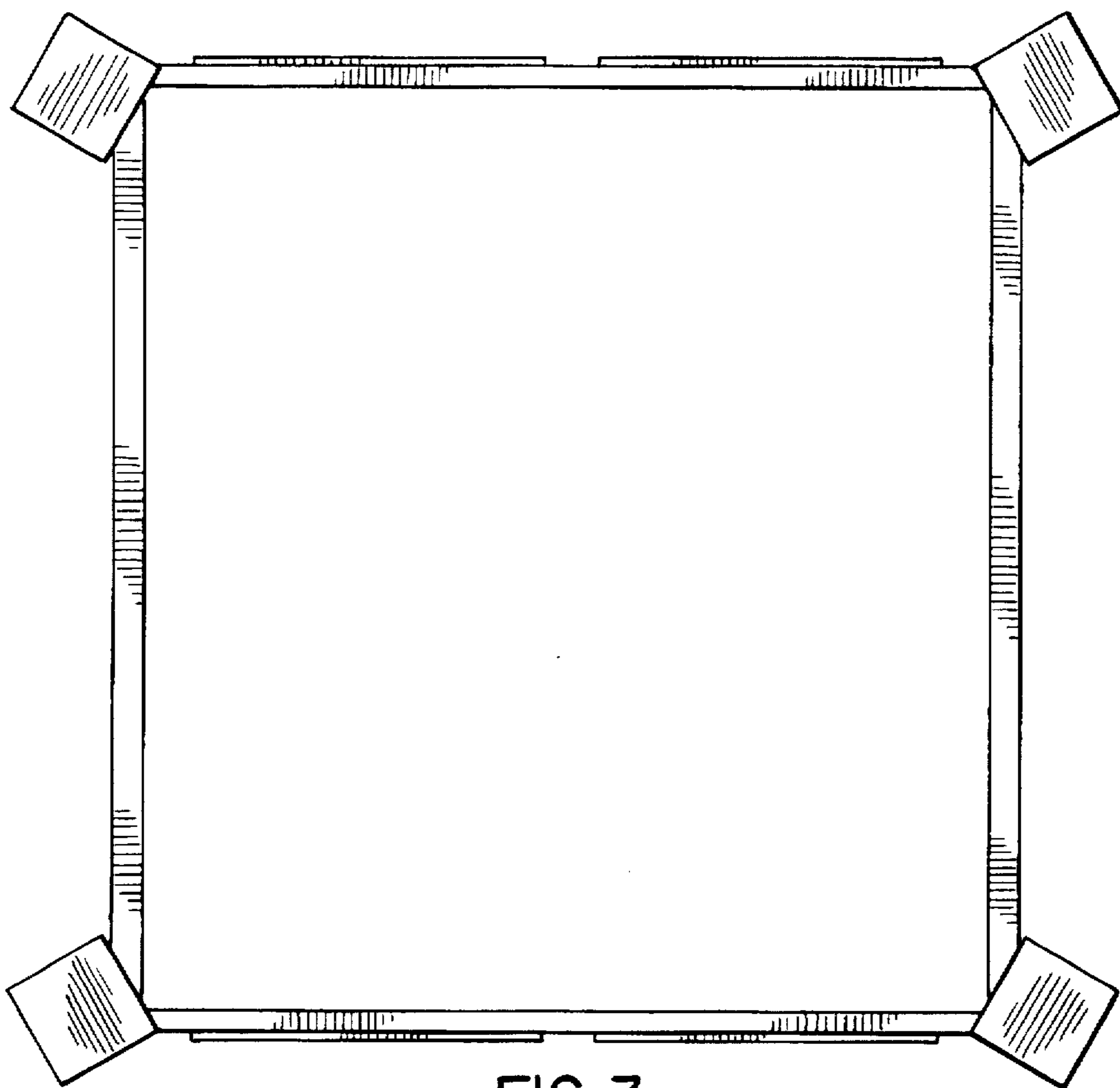


FIG. 3

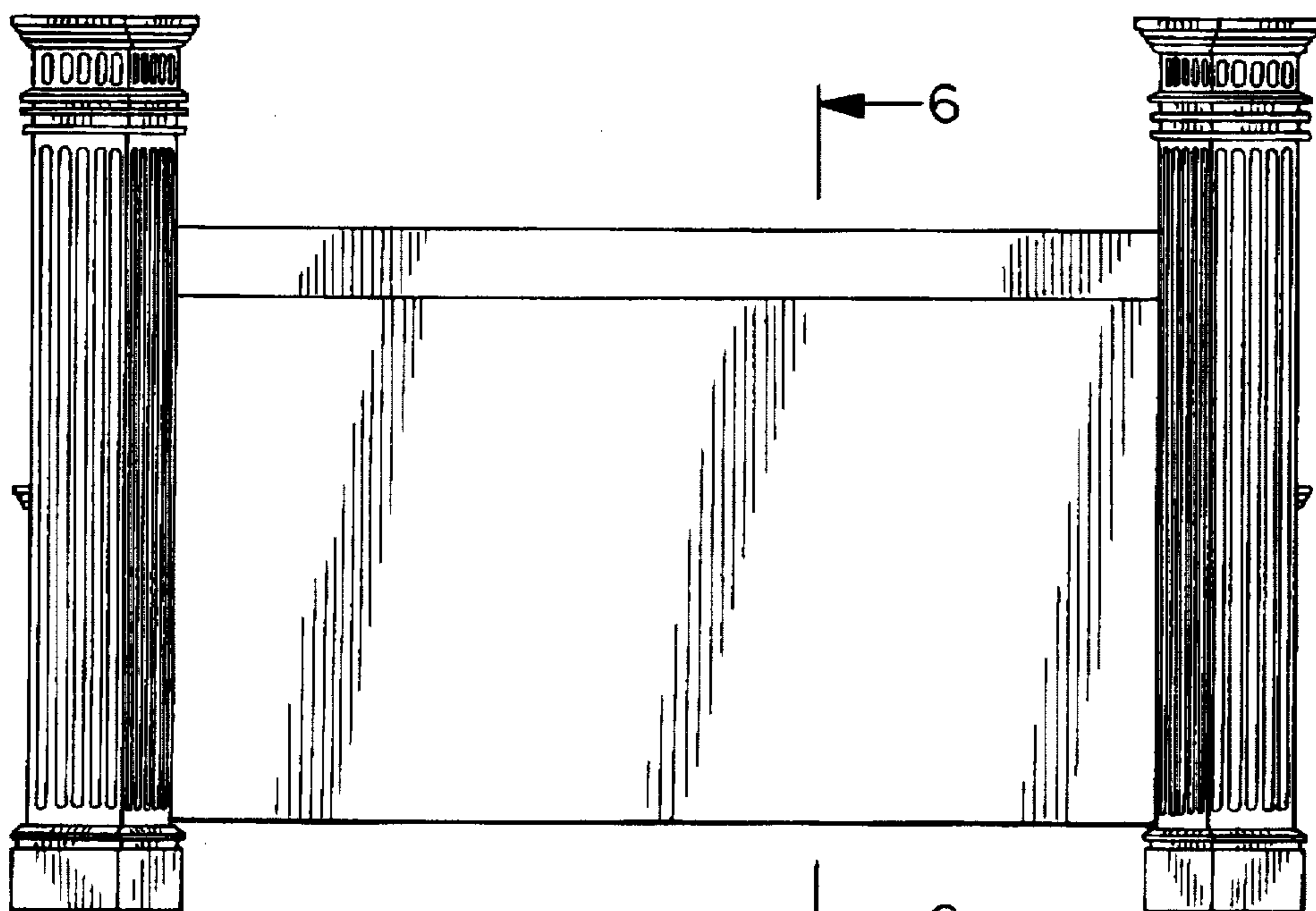


FIG. 4

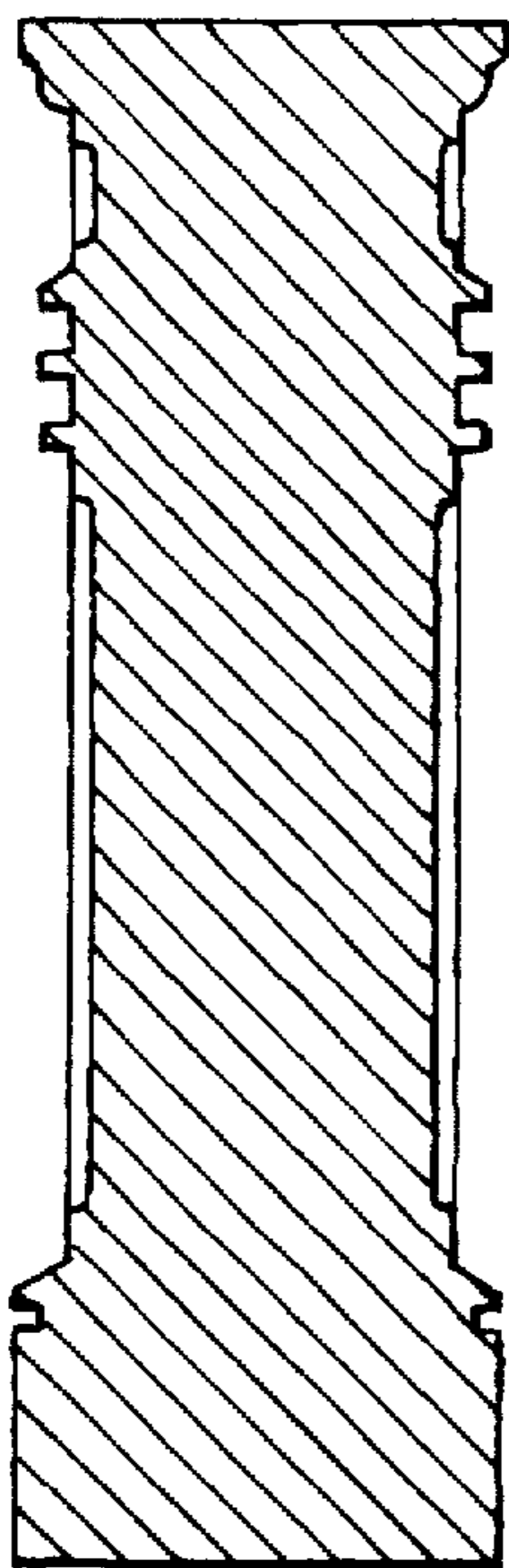


FIG. 5



FIG. 6

UNITED STATES PATENT AND TRADEMARK OFFICE
CERTIFICATE OF CORRECTION

PATENT NO. : Des. 394,167
DATED : May 12, 1998
INVENTOR(S) : ESTAPÉ, JORGE ET AL.

It is certified that error appears in the above-identified patent and that said Letters Patent is hereby corrected as shown below:

On the title page, item [19]: replace "Estapéet al." with --Estapé et al.--

Signed and Sealed this
Twenty-seventh Day of October, 1998

Attest:



BRUCE LEHMAN

Attesting Officer

Commissioner of Patents and Trademarks