



US00D394161S

United States Patent [19]
Tsui

[11] **Patent Number: Des. 394,161**
[45] **Date of Patent: **May 12, 1998**

[54] **PHOTO/PICTURE FRAME**
[75] **Inventor: Chi Fai Tsui, Hong Kong, Hong Kong**
[73] **Assignee: Magnum Industries Limited, Hong Kong**
[**] **Term: 14 Years**
[21] **Appl. No.: 68,143**
[22] **Filed: Mar. 17, 1997**
[30] **Foreign Application Priority Data**

636,592 11/1899 Turner 40/790
4,981,211 1/1991 Janek 206/387.1

FOREIGN PATENT DOCUMENTS

128839 1/1946 Australia D6/310

Primary Examiner—Janice E. Seeger
Attorney, Agent, or Firm—Gunn, Lee & Miller, P.C.

[57] **CLAIM**

The ornamental design for a photo/picture frame, as shown and described.

DESCRIPTION

Oct. 3, 1996 [GB] United Kingdom 2059824
[51] **LOC (6) Cl. 06-07**
[52] **U.S. Cl. D6/310; D6/300**
[58] **Field of Search D6/300-303, 308-314;**
D20/10, 40; 40/700, 711, 714-716, 717,
720, 721-724, 728, 735, 738, 748, 749,
765, 780, 790, 798

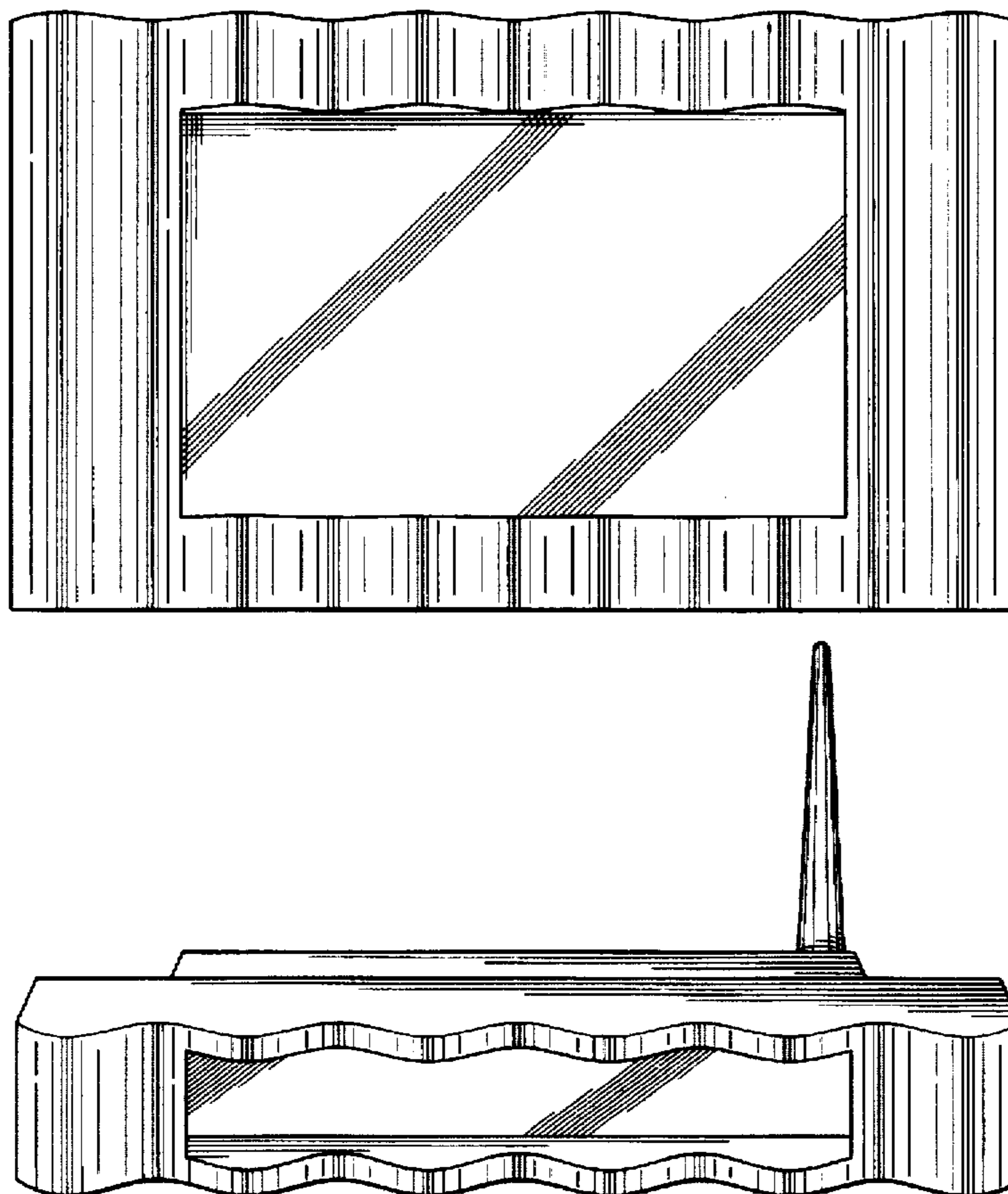
FIG. 1 is a front elevational view of a photo/picture frame showing my new design;
FIG. 2 is a rear elevational view thereof;
FIG. 3 is a top plan view thereof;
FIG. 4 is a bottom plan view thereof;
FIG. 5 is a left side elevational view thereof; and,
FIG. 6 is a right side elevational thereof.

[56] **References Cited**

U.S. PATENT DOCUMENTS

D. 382,304 8/1997 Rinicella et al. D20/10 X

1 Claim, 3 Drawing Sheets



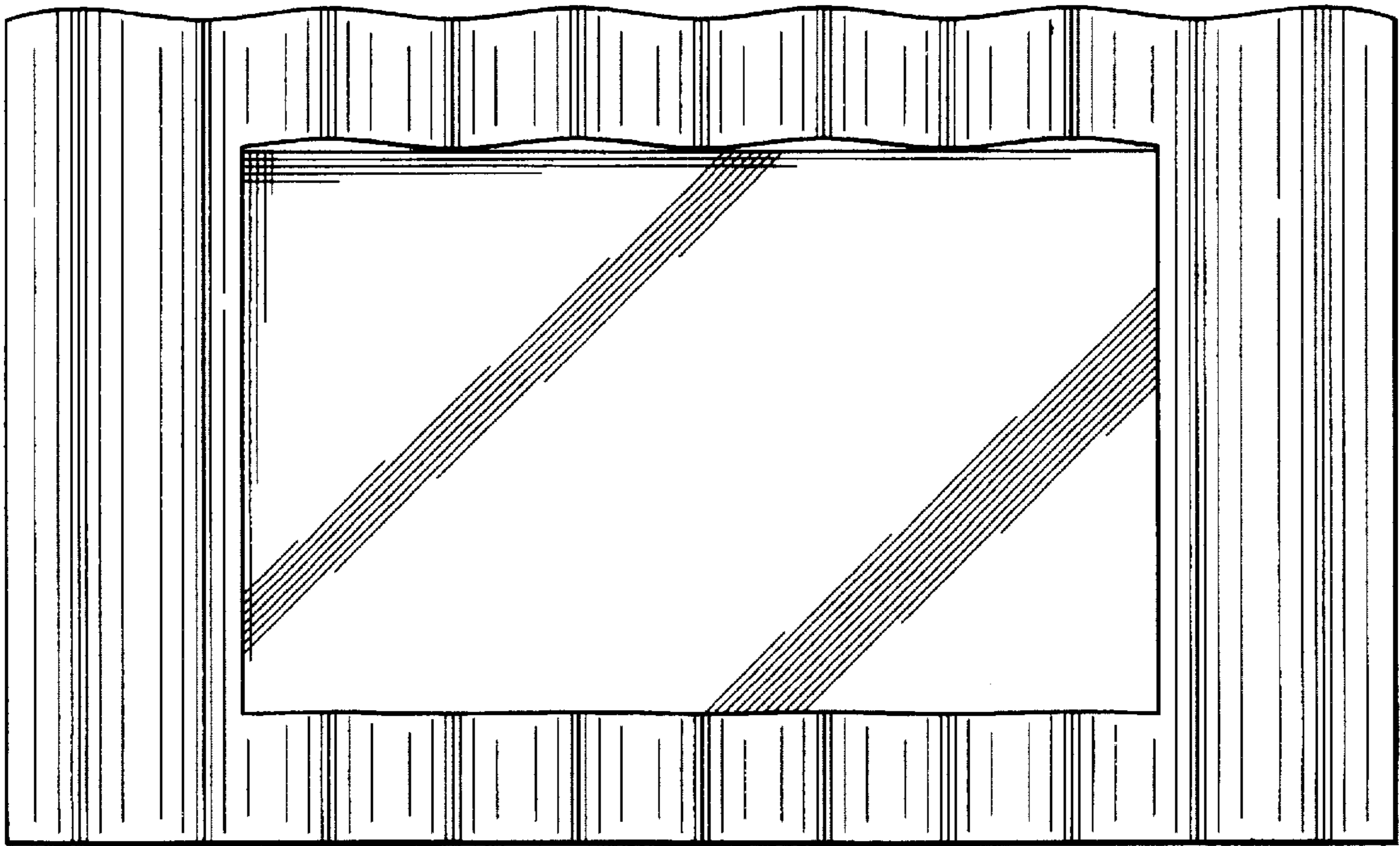


FIG. 1

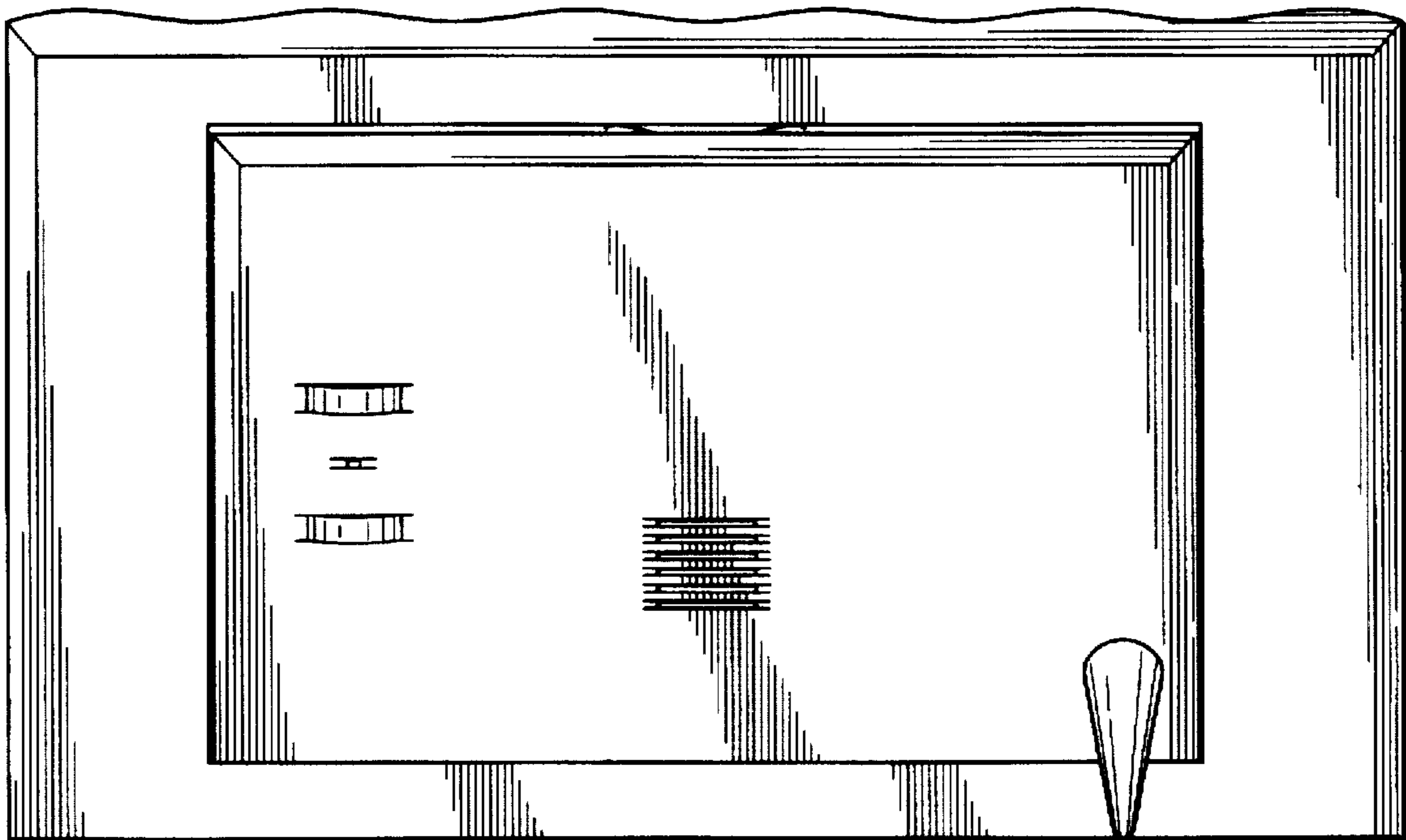


FIG. 2

FIG. 3

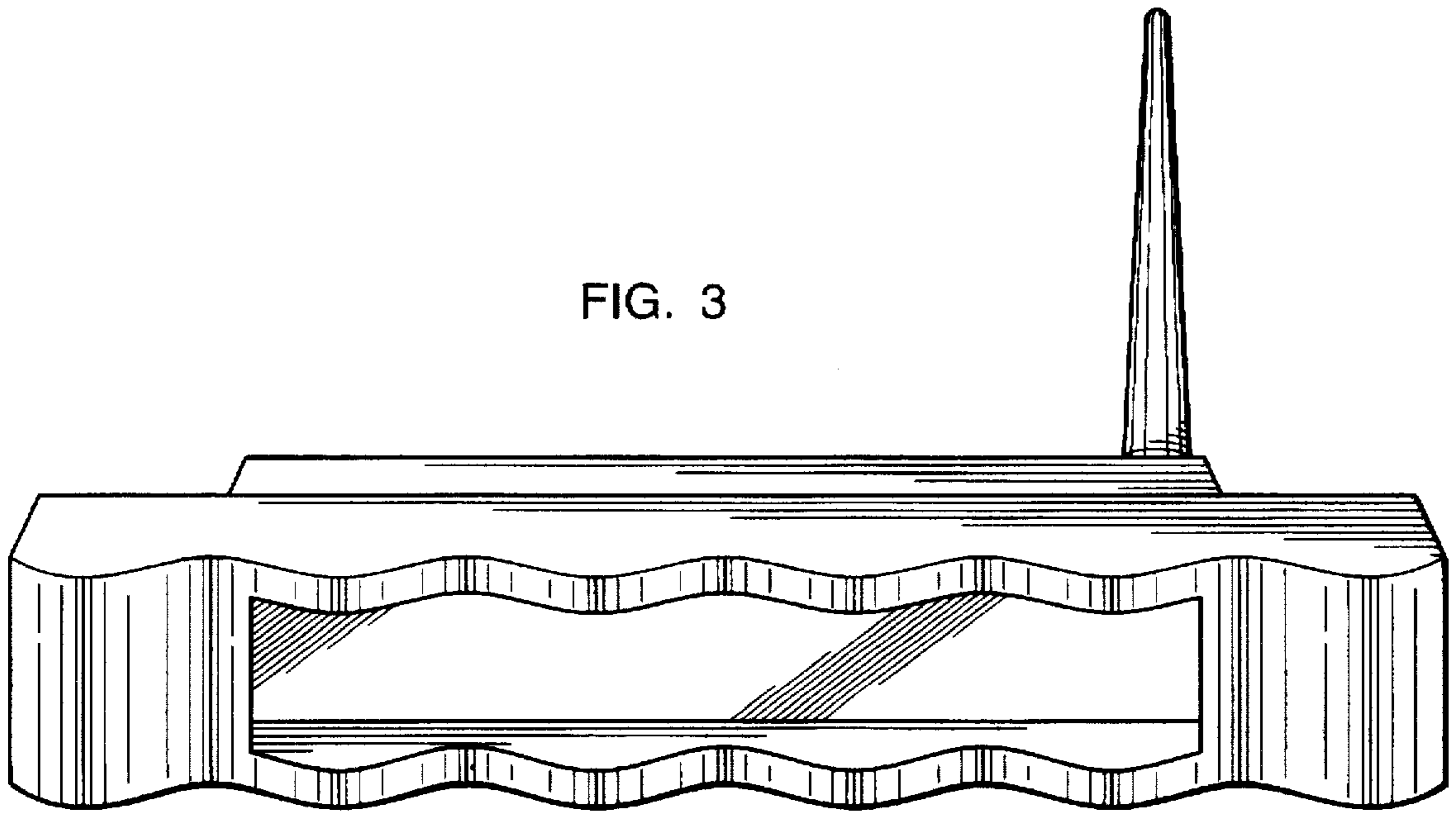
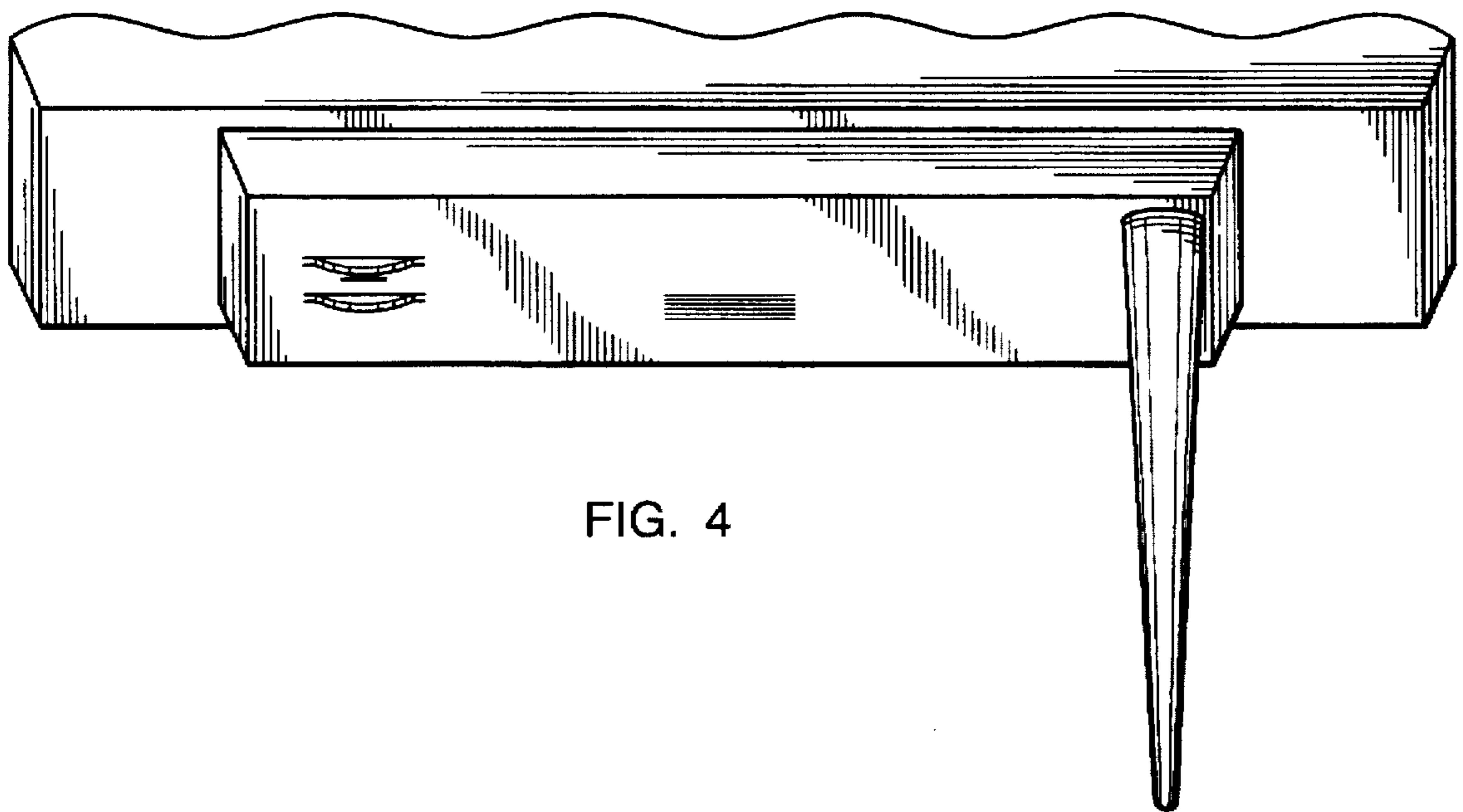


FIG. 4



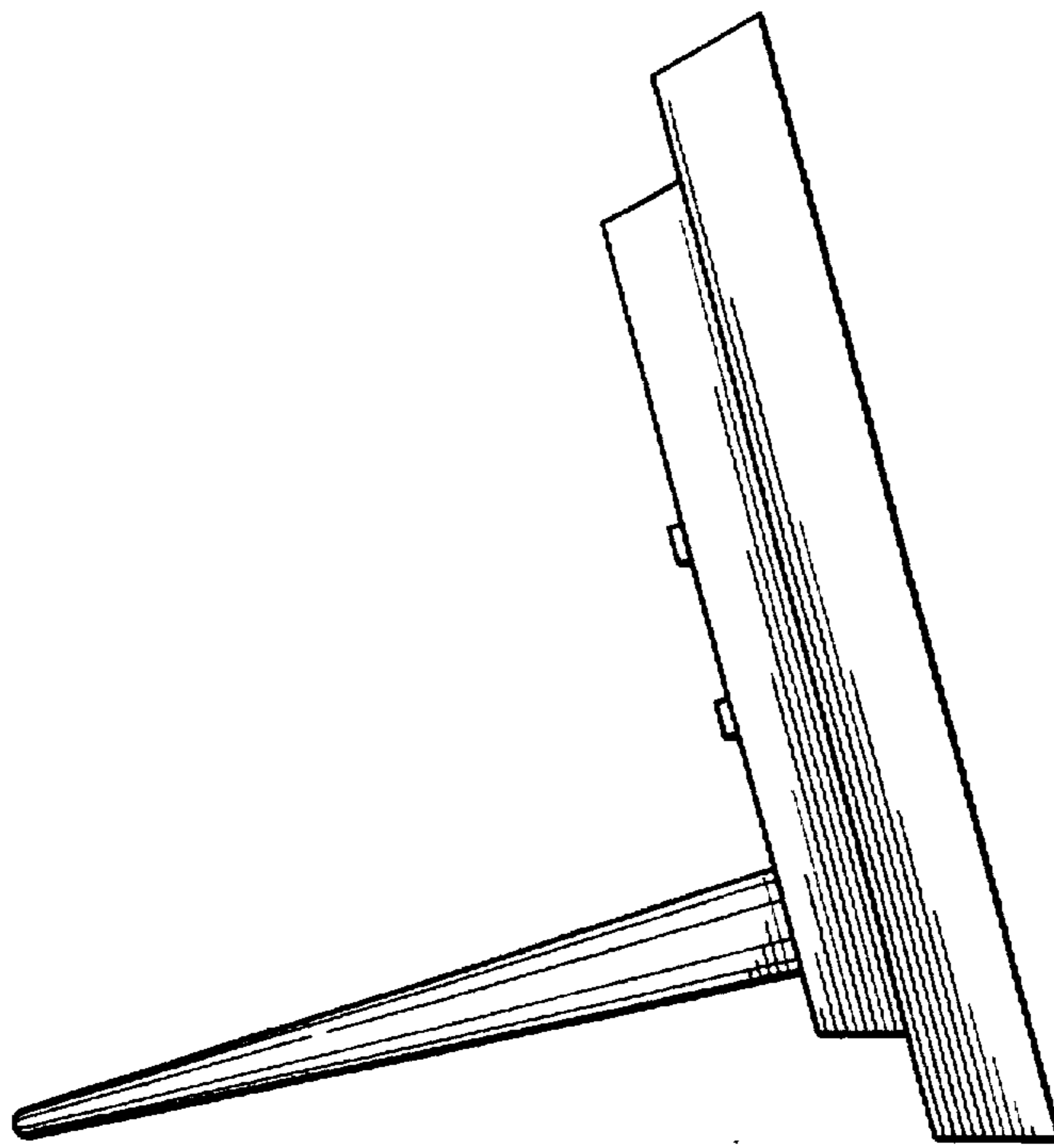


FIG. 5

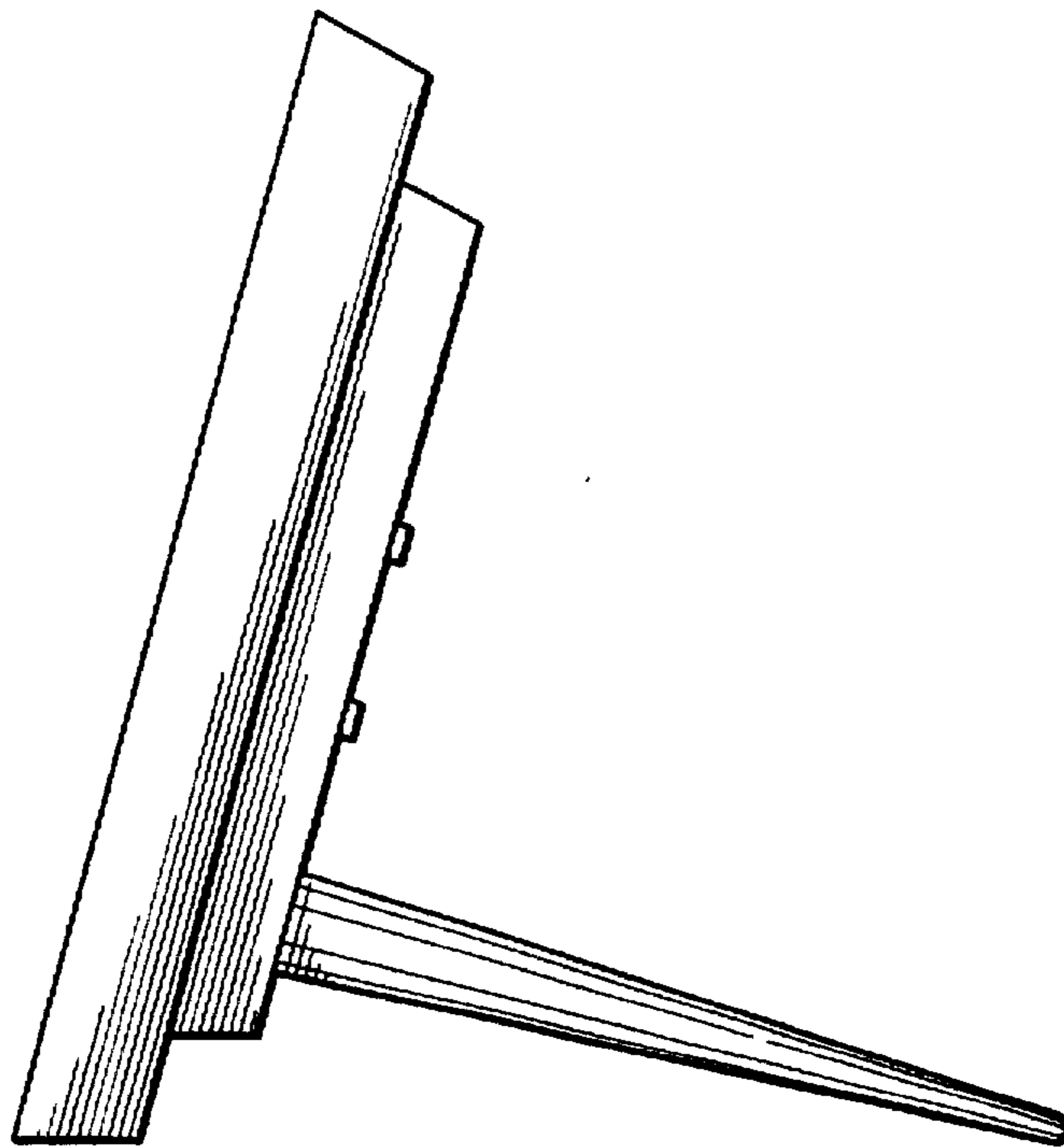


FIG. 6